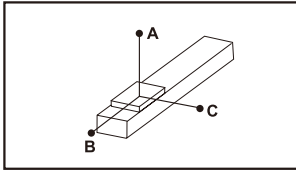
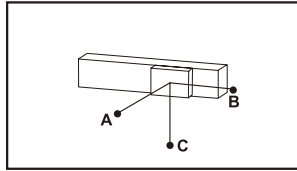


Allowable overhang



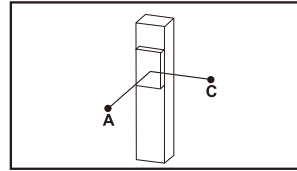
Unit: mm

Horizontal installation		A	B	C
Lead 2	10kg	900	100	135
	20kg	700	45	60
	30kg	550	25	35
Lead 5	10kg	650	75	100
	20kg	440	32	45
	30kg	270	19	25
Lead 10	5kg	600	145	185
	10kg	370	70	85
	15kg	250	42	52
Lead 20	5kg	320	120	130
	8kg	220	70	80
	10kg	175	55	60



Unit: mm

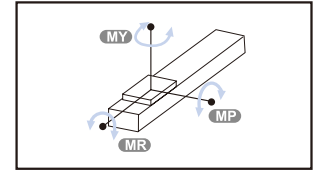
Wall installation		A	B	C
Lead 2	10kg	135	100	900
	20kg	60	45	700
	30kg	37	27	550
Lead 5	10kg	100	75	650
	20kg	45	32	420
	30kg	25	19	260
Lead 10	5kg	180	145	600
	10kg	85	68	370
	15kg	52	42	250
Lead 20	5kg	130	120	320
	8kg	75	70	220
	10kg	60	55	170



Unit: mm

Vertical installation		A	C
Lead 2	6kg	180	180
	8kg	135	135
	10kg	110	110
Lead 5	6kg	145	145
	8kg	110	110
	10kg	90	90
Lead 10	1kg	800	800
	3kg	260	260
	5kg	155	155
Lead 20	1kg	600	600
	2kg	300	300
	2.5kg	250	250

Static loading moment



Unit: N.m

MY	103
MP	103
MR	144

- The torque value in the chart indicate the center of gravity.
- Operation life is 10000km when the product is using under the specified conditions.
- Data information is not for ceiling-mount inverse use.
Contact us for the details if you want to apply ceiling-mount inverse usage.

Standard servo motors

Brand	Mark	Brake	Watt	AC-Voltage	Motor model	Compatible driver model
Mitsubishi	M	No brake(Horizontal type)	100	220	KG-KR13	MR-J4-10A
		With brake(Vertical type)	100	220	HG-KR13B	MR-J4-10A
Panasonic	P	No brake(Horizontal type)	100	220	MSMD012G1U	MADHT1505
		With brake(Vertical type)	100	220	MSMD012G1V	MADHT1505
Delta	T	No brake(Horizontal type)	100	220	ECMA-C20401ES	ASD-B20121-B
		With brake(Vertical type)	100	220	ECMA-C20401FS	ASD-B20121-B

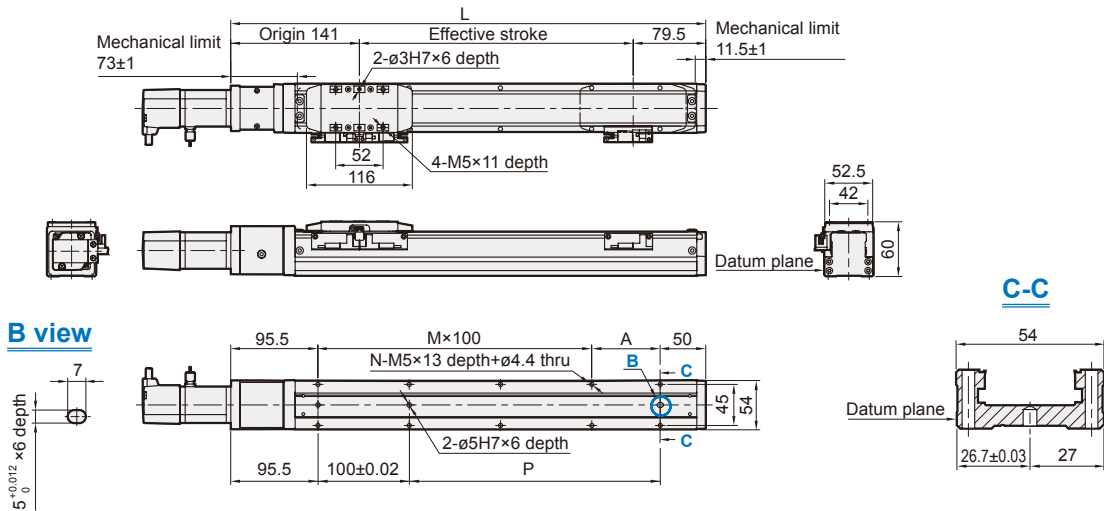
METG-5 Dimensions

SLIDER ELECTRIC CYLINDER – BUILT-IN GUIDEWAY (WITHOUT MOTOR)



BC

Motor exposed

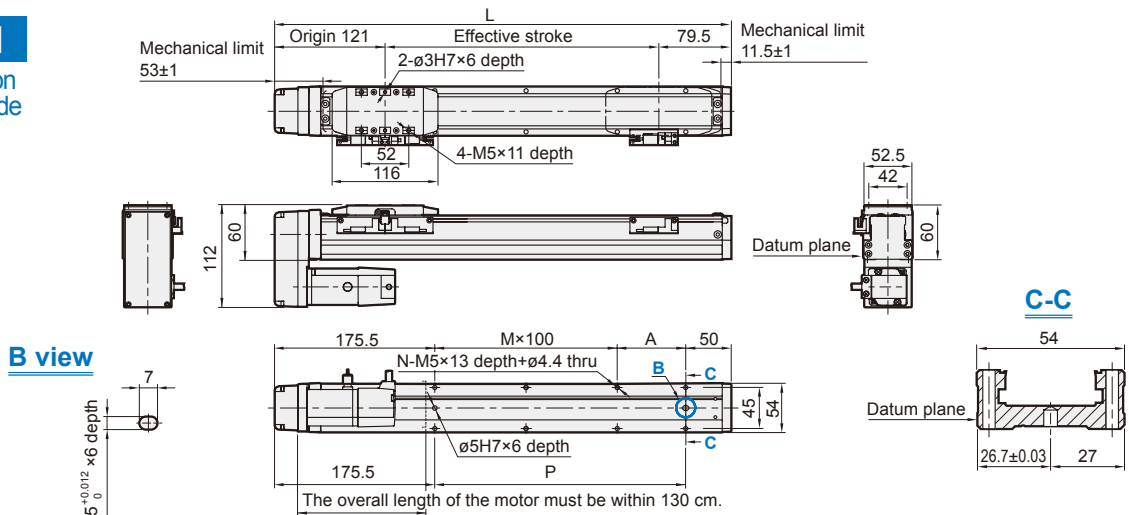


Unit: mm

Stroke	50	100	150	200	250	300	350	400	450	500	550	600	650	700	750	800
L	270.5	320.5	370.5	420.5	470.5	520.5	570.5	620.5	670.5	720.5	770.5	820.5	870.5	920.5	970.5	1020.5
A	25	75	25	75	25	75	25	75	25	75	25	75	25	75	25	75
M	1	1	2	2	3	3	4	4	5	5	6	6	7	7	8	8
N	6	6	8	8	10	10	12	12	14	14	16	16	18	18	20	20
P	25	75	125	175	225	275	325	375	425	475	525	575	625	675	725	775
KG	2.23	2.42	2.62	2.82	3.01	3.21	3.41	3.6	3.8	4	4.19	4.39	4.59	4.78	4.98	5.18

BM

Motor on lower side



Unit: mm

Stroke	50	100	150	200	250	300	350	400	450	500	550	600	650	700	750	800
L	250.5	300.5	350.5	400.5	450.5	500.5	550.5	600.5	650.5	700.5	750.5	800.5	850.5	900.5	950.5	1000.5
A	25	75	25	75	25	75	25	75	25	75	25	75	25	75	25	75
M	0	0	1	1	2	2	3	3	4	4	5	5	6	6	7	7
N	4	4	6	6	8	8	10	10	12	12	14	14	16	16	18	18
P	25	75	125	175	225	275	325	375	425	475	525	575	625	675	725	775
KG	2.4	2.59	2.79	2.99	3.18	3.38	3.58	3.77	3.97	4.17	4.36	4.56	4.76	4.95	5.15	5.35

* When motor with brake assembled on lower side, or the total length over than spec limit, it may not use standard pinhole. Please contact us if you need more information and requirement.

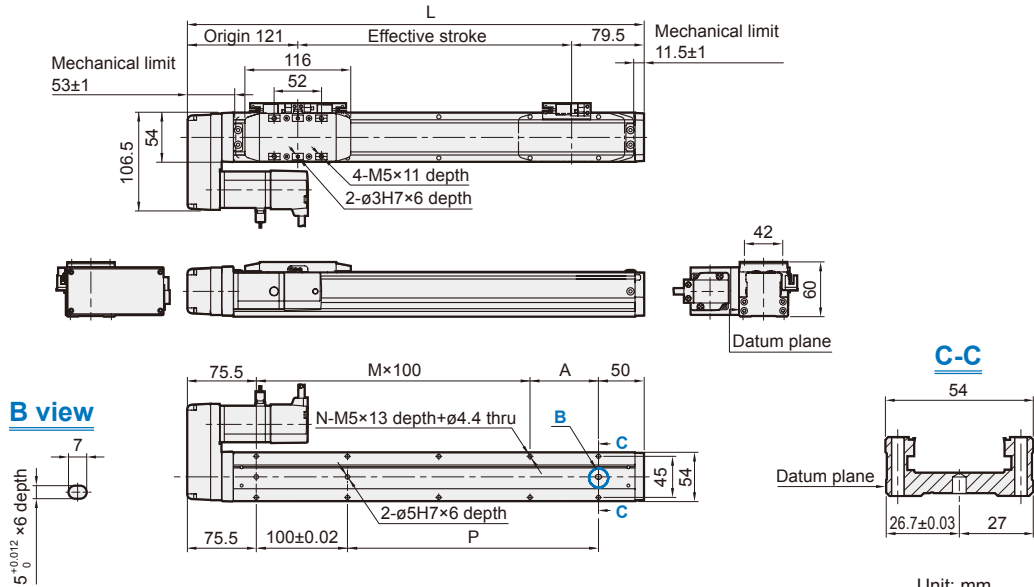
METG-5 Dimensions

SLIDER ELECTRIC CYLINDER – BUILT-IN GUIDEWAY (WITHOUT MOTOR)



BL

Motor on left side

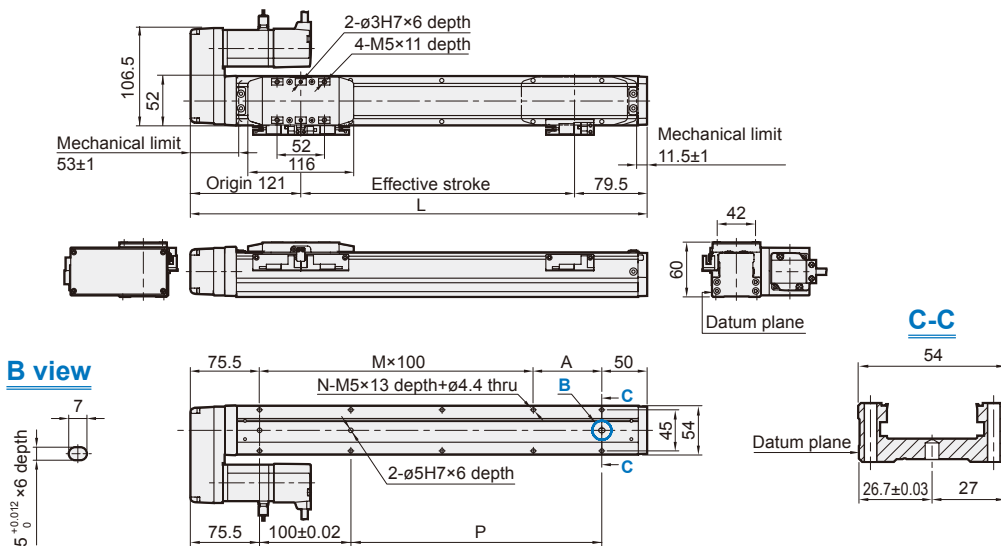


Unit: mm

Stroke	50	100	150	200	250	300	350	400	450	500	550	600	650	700	750	800
L	250.5	300.5	350.5	400.5	450.5	500.5	550.5	600.5	650.5	700.5	750.5	800.5	850.5	900.5	950.5	1000.5
A	25	75	25	75	25	75	25	75	25	75	25	75	25	75	25	75
M	1	1	2	2	3	3	4	4	5	5	6	6	7	7	8	8
N	6	6	8	8	10	10	12	12	14	14	16	16	18	18	20	20
P	25	75	125	175	225	275	325	375	425	475	525	575	625	675	725	775
KG	2.4	2.59	2.79	2.99	3.18	3.38	3.58	3.77	3.97	4.17	4.36	4.56	4.76	4.95	5.15	5.35

BR

Motor on right side



Unit: mm

Stroke	50	100	150	200	250	300	350	400	450	500	550	600	650	700	750	800
L	250.5	300.5	350.5	400.5	450.5	500.5	550.5	600.5	650.5	700.5	750.5	800.5	850.5	900.5	950.5	1000.5
A	25	75	25	75	25	75	25	75	25	75	25	75	25	75	25	75
M	1	1	2	2	3	3	4	4	5	5	6	6	7	7	8	8
N	6	6	8	8	10	10	12	12	14	14	16	16	18	18	20	20
P	25	75	125	175	225	275	325	375	425	475	525	575	625	675	725	775
KG	2.4	2.59	2.79	2.99	3.18	3.38	3.58	3.77	3.97	4.17	4.36	4.56	4.76	4.95	5.15	5.35