

Specification

Model		METG-8		
Repeatability	(mm)	±0.01		
Ball screw lead	(mm)	5	10	20
Max. speed (*1)	(mm/s)	250	500	1000
AC servo motor	(W)	200W, 400W		
Max. payload	Horizontal (kg)	50	30	18
	Vertical (kg)	15	8	3
Rated thrust (*2)	(N)	683 (1388)	341 (694)	174 (347)
Stroke (*3)	(mm)	50~1100 / 50 pitch		
Ball screw	(mm)	C7Ø16		
Coupling	(mm)	10×14/11 (*4)		
Home sensor		EE-SX674 (NPN)		

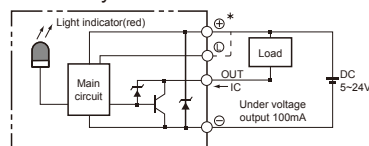
*1. Acceleration and deceleration value is set 0.2 second.

*2. () The value for power output 400W.

*3. When the stroke is over 750mm, the run-out of the ballscrew will occur. We recommend to low down the working speed under this circumstances.

*4. Motor 200W shaft diameter: Panasonic: 11mm, Other: 14 mm.

Sensor layout



Order example

METG – 8 – L10 – 100 – BC – M20B – C4 – 0001

Model

Size

Stroke

Special order no.

50~1100 mm
50 mm pitch

Ball screw lead	
L05	5 mm
L10	10 mm
L20	20 mm

Motor position	
BC	Exposed
BM	On lower side
BR	On right side
BL	On left side

Motor brand, power output, brakes				
SERVO motor				
M	Mitsubishi	20 40	200W 400W	B
P	Panasonic			
Y	Yaskawa			
T	Delta			

Home sensor	
Out side	
C	Motor side
D	Opposite motor side
No sensor	
E	None

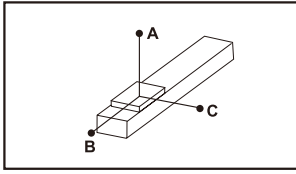
Limit sensor	
Out side	
3	1 Pc
4	2 Pcs
No sensor	
5	None

* Need not show B with no brake.

* When the stroke is 50mm, the sensor installation has the following restrictions.

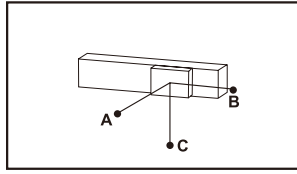
1. Home sensor and limit sensor has to be installed on the different side of body.
2. Both sides of slider need to install the sensor trigger device.

Allowable overhang



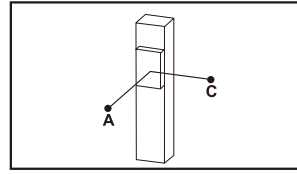
Unit: mm

Horizontal installation		A	B	C
Lead 5	20kg	1560	153	237
	35kg	890	81	126
	50kg	550	53	82
Lead 10	10kg	1730	286	412
	20kg	839	136	196
	30kg	541	86	124
Lead 20	6kg	1213	403	493
	9kg	800	264	323
	18kg	592	194	238



Unit: mm

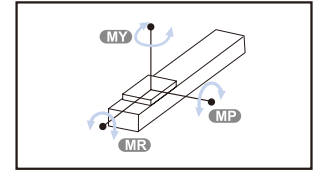
Wall installation		A	B	C
Lead 5	20kg	214	153	1435
	35kg	113	81	845
	50kg	74	53	506
Lead 10	10kg	370	286	1400
	20kg	176	136	800
	30kg	112	86	495
Lead 20	6kg	444	403	760
	9kg	292	264	277
	18kg	214	194	544



Unit: mm

Vertical installation		A	C
Lead 5	10kg	331	331
	15kg	220	220
	–	–	–
Lead 10	5kg	589	589
	8kg	368	368
	–	–	–
Lead 20	3kg	935	935
	–	–	–
	–	–	–

Static loading moment



Unit: N.m

MY	318
MP	318
MR	626

- The torque value in the chart indicate the center of gravity.
- Operation life is 10000km when the product is using under the specified conditions.
- Data information is not for ceiling-mount inverse use.
Contact us for the details if you want to apply ceiling-mount inverse usage.

Standard servo motors

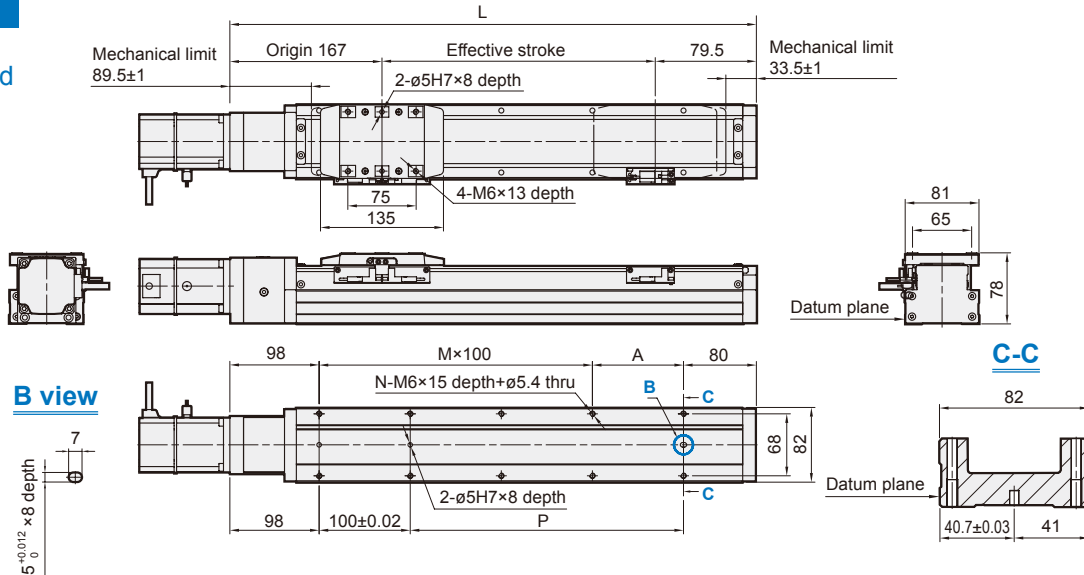
Brand	Mark	Brake	Watt	AC-Voltage	Motor model	Compatible driver model
Mitsubishi	M	No brake(Horizontal type)	200	220	HG-KR23	MR-J4-20A
			400	220	HG-KR43	MR-J4-40A
		With brake(Vertical type)	200	220	HG-KR23B	MR-J4-20A
			400	220	HG-KR43B	MR-J4-40A
Panasonic	P	No brake(Horizontal type)	200	220	MHMD022G1U	MADHT1507
			400	220	MHMD042G1U	MBDHT2510
		With brake(Vertical type)	200	220	MHMD022G1V	MADHT1507
			400	220	MHMD042G1V	MBDHT2510
Delta	T	No brake(Horizontal type)	200	220	ECMA-C20602ES	ASD-B20221-B
			400	220	ECMA-C20604ES	ASD-B20421-B
		With brake(Vertical type)	200	220	ECMA-C20602FS	ASD-B20221-B
			400	220	ECMA-C20604FS	ASD-B20421-B

METG-8 series

SLIDER ELECTRIC CYLINDER – BUILT-IN GUIDEWAY (WITHOUT MOTOR)



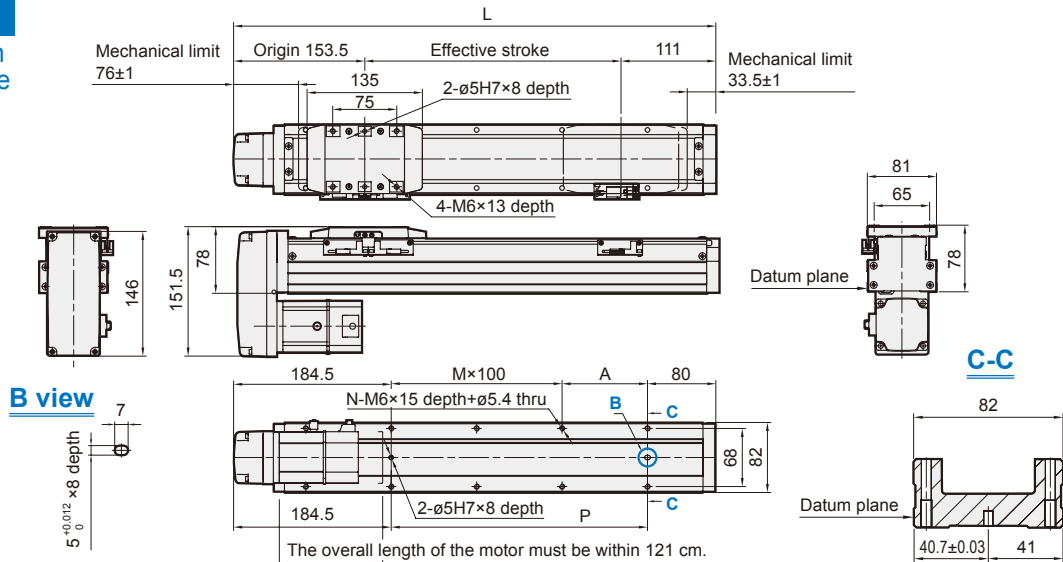
BC Motor exposed



Unit: mm

Stroke	50	100	150	200	250	300	350	400	450	500	550	600	650	700	750	800	850	900	950	1000	1050	1100
L	328	378	428	478	528	578	628	678	728	778	828	878	928	978	1028	1078	1128	1178	1228	1278	1328	1378
A	50	100	50	100	50	100	50	100	50	100	50	100	50	100	50	100	50	100	50	100	50	100
M	1	1	2	2	3	3	4	4	5	5	6	6	7	7	8	8	9	9	10	10	11	11
N	6	6	8	8	10	10	12	12	14	14	16	16	18	18	20	20	22	22	24	24	26	26
P	50	100	150	200	250	300	350	400	450	500	550	600	650	700	750	800	850	900	950	1000	1050	1100
KG	5.18	5.54	5.91	6.27	6.64	7	7.37	7.73	8.1	8.46	8.83	9.19	9.56	9.92	10.29	10.65	11.02	11.38	11.75	12.11	12.48	12.85

BM Motor on lower side



Unit: mm

Stroke	50	100	150	200	250	300	350	400	450	500	550	600	650	700	750	800	850	900	950	1000	1050	1100
L	314.5	364.5	414.5	464.5	514.5	564.5	614.5	664.5	714.5	764.5	814.5	864.5	914.5	964.5	1014.5	1064.5	1114.5	1164.5	1214.5	1264.5	1314.5	1364.5
A	50	100	50	100	50	100	50	100	50	100	50	100	50	100	50	100	50	100	50	100	50	100
M	0	0	1	1	2	2	3	3	4	4	5	5	6	6	7	7	8	8	9	9	10	10
N	4	4	6	6	8	8	10	10	12	12	14	14	16	16	18	18	20	20	22	22	24	24
P	50	100	150	200	250	300	350	400	450	500	550	600	650	700	750	800	850	900	950	1000	1050	1100
KG	5.19	5.6	6.12	6.64	7.16	7.68	8.2	8.72	9.24	9.76	10.28	10.8	11.32	11.84	12.36	12.88	13.4	13.92	14.44	14.96	15.48	16

* When motor with brake assembled on lower side, or the total length over than spec limit, it may not use standard pinhole. Please contact us if you need more information and requirement.

METG-8 Performance charts

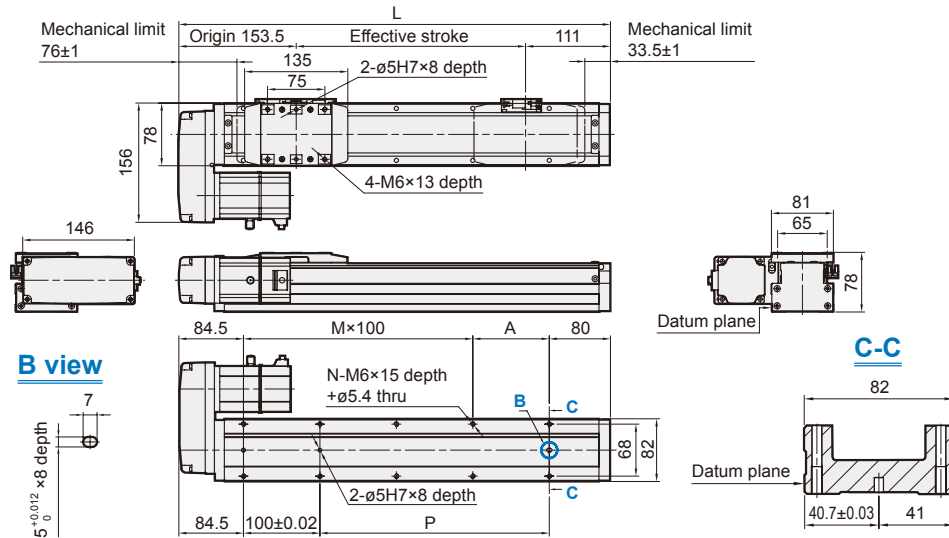


SLIDER ELECTRIC CYLINDER – BUILT-IN GUIDEWAY (WITHOUT MOTOR)

mindman

BL

Motor on left side

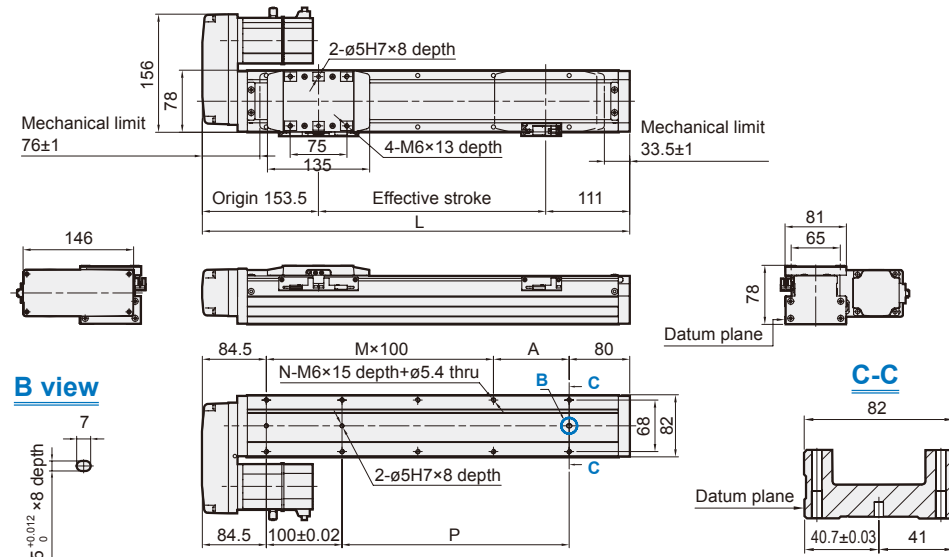


Unit: mm

Stroke	50	100	150	200	250	300	350	400	450	500	550	600	650	700	750	800	850	900	950	1000	1050	1100
L	314.5	364.5	414.5	464.5	514.5	564.5	614.5	664.5	714.5	764.5	814.5	864.5	914.5	964.5	1014.5	1064.5	1114.5	1164.5	1214.5	1264.5	1314.5	1364.5
A	50	100	50	100	50	100	50	100	50	100	50	100	50	100	50	100	50	100	50	100	50	100
M	1	1	2	2	3	3	4	4	5	5	6	6	7	7	8	8	9	9	10	10	11	11
N	6	6	8	8	10	10	12	12	14	14	16	16	18	18	20	20	22	22	24	24	26	26
P	50	100	150	200	250	300	350	400	450	500	550	600	650	700	750	800	850	900	950	1000	1050	1100
KG	5.19	5.6	6.12	6.64	7.16	7.68	8.2	8.72	9.24	9.76	10.28	10.8	11.32	11.84	12.36	12.88	13.4	13.92	14.44	14.96	15.48	16

BR

Motor on right side



Unit: mm

Stroke	50	100	150	200	250	300	350	400	450	500	550	600	650	700	750	800	850	900	950	1000	1050	1100
L	314.5	364.5	414.5	464.5	514.5	564.5	614.5	664.5	714.5	764.5	814.5	864.5	914.5	964.5	1014.5	1064.5	1114.5	1164.5	1214.5	1264.5	1314.5	1364.5
A	50	100	50	100	50	100	50	100	50	100	50	100	50	100	50	100	50	100	50	100	50	100
M	1	1	2	2	3	3	4	4	5	5	6	6	7	7	8	8	9	9	10	10	11	11
N	6	6	8	8	10	10	12	12	14	14	16	16	18	18	20	20	22	22	24	24	26	26
P	50	100	150	200	250	300	350	400	450	500	550	600	650	700	750	800	850	900	950	1000	1050	1100
KG	5.19	5.6	6.12	6.64	7.16	7.68	8.2	8.72	9.24	9.76	10.28	10.8	11.32	11.84	12.36	12.88	13.4	13.92	14.44	14.96	15.48	16