

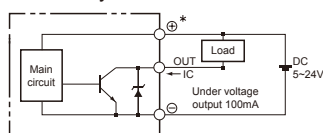
METS2-10 series

SLIDER ELECTRIC CYLINDER (WITHOUT MOTOR)



Environment	Standard	Servo motor	100W / 200W
Actuation type	Ball screw	Guide type	Linear guide

Sensor layout



Specification

Model	METS2-10		
Position repeatability (mm)	±0.01		
Lead (mm)	5	10	20
Max. speed (mm/s)	250	500	1000
Stroke (mm)	100~1000 / 50 pitch		
Ball screw O.D. (mm)	C7 ø16		
Home sensor	EE-SX672 (NPN)		

AC servo motor	100W			
Coupling (mm)	10×8 / 5 (*1)			
Max. payload	Horizontal (kg)	50	30	18
	Vertical (kg)	12	8	3
Rated thrust (N)	341	170	85	

AC servo motor	200W			
Coupling (mm)	10×14 / 11 (*2)			
Max. payload	Horizontal (kg)	50	30	18
	Vertical (kg)	12	8	3
Rated thrust (N)	683	341	174	

*1. Motor □42 shaft diameter: ø5, other ø8.

*2. Panasonic motor 200W shaft diameter: ø11, other ø14.

*3. When the stroke is over 750mm, the run-out of the ballscrew will occur.

We recommend to low down the working speed under this circumstances.

*4. Acceleration and deceleration value is set 0.2 second.

Order example

METS2-10 - L05 - 100 - BC - M20 B - A3 - XA00

Model	Size	Stroke	Motor position	Motor brand	Power output	Brakes	Limit sensor
L05	5 mm	100~1000 mm 50 mm pitch	M Motor built-in (*)	M Mitsubishi	10 20 100W 200W servo	- No brake	- No sensor
L10	10 mm		BC Motor exposed	P Panasonic		B With brake	A1 1 pc
L20	20 mm		BM Motor bottom side	Y Yaskawa		A2 2 pcs	
		BR Motor right side	D Delta	A3 3 pcs			
		BL Motor left side	E Else				
			S Mindman	42 □42			

* Not suit for 200W servo.

Standard servo motors

Brand	Mark	Power output	Motor model (Without brake)	Motor model (With brake)	Motor rod dim. (mm)	Motor mount P.C.D (mm)	Mounting port (mm)
Mitsubishi	M	100 W	HG-KN13J	HG-KN13B J	ø8	ø46	2-ø4.5
		200 W	HG-KN23J	HG-KN23B J	ø14	ø70	4-ø5.8
Panasonic	P	100 W	MSMF012L1U2M	MSMF012L1V2M	ø8	ø45	4-ø3.4
		200 W	MHMF022L1U2M	MHMF022L1V2M	ø11	ø70	4-ø4.5
Yaskawa	Y	100 W	SGM7J-01A7A21	SGM7J-01A7A2C	ø8	ø46	2-ø4.3
		200 W	SGM7J-02A7A21	SGM7J-02A7A2C	ø14	ø70	4-ø5.5
Delta	D	100 W	ECMA-C20401PS	ECMA-C20401FS	ø8	ø46	4-ø4.5
		200 W	ECMA-C20602PS	ECMA-C20602FS	ø14	ø70	4-ø5.5
Mindman	S	□42	-	-	ø5	□31	4-M3×4.5L

* If your inquiry is not included in above table, please kindly contact us.



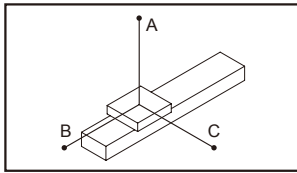
METS2-10 Performance charts & Dimensions



SLIDER ELECTRIC CYLINDER (WITHOUT MOTOR)

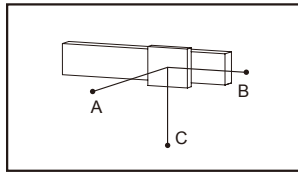
Mindman

Allowable overhang



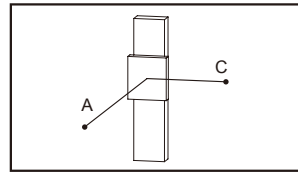
Unit: mm

Horizontal installation	A	B	C
AC servo motor 100W / 200W			
Lead 5	30kg	547	42
	40kg	391	29
	50kg	298	22
Lead 10	15kg	521	84
	25kg	298	47
	30kg	242	37
Lead 20	5kg	675	224
	10kg	330	107
	18kg	175	55



Unit: mm

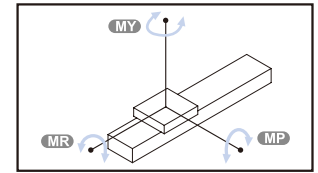
Wall installation	A	B	C
AC servo motor 100W / 200W			
Lead 5	25kg	52	53
	35kg	35	35
	50kg	21	22
Lead 10	10kg	124	131
	20kg	58	61
	30kg	35	37
Lead 20	6kg	160	185
	12kg	76	88
	18kg	48	55



Unit: mm

Vertical installation	A	C
AC servo motor 100W / 200W		
Lead 5	5kg	310
	8kg	192
	12kg	129
Lead 10	4kg	344
	8kg	172
	-	-
Lead 20	2kg	546
	3kg	364
	-	-

Static loading moment

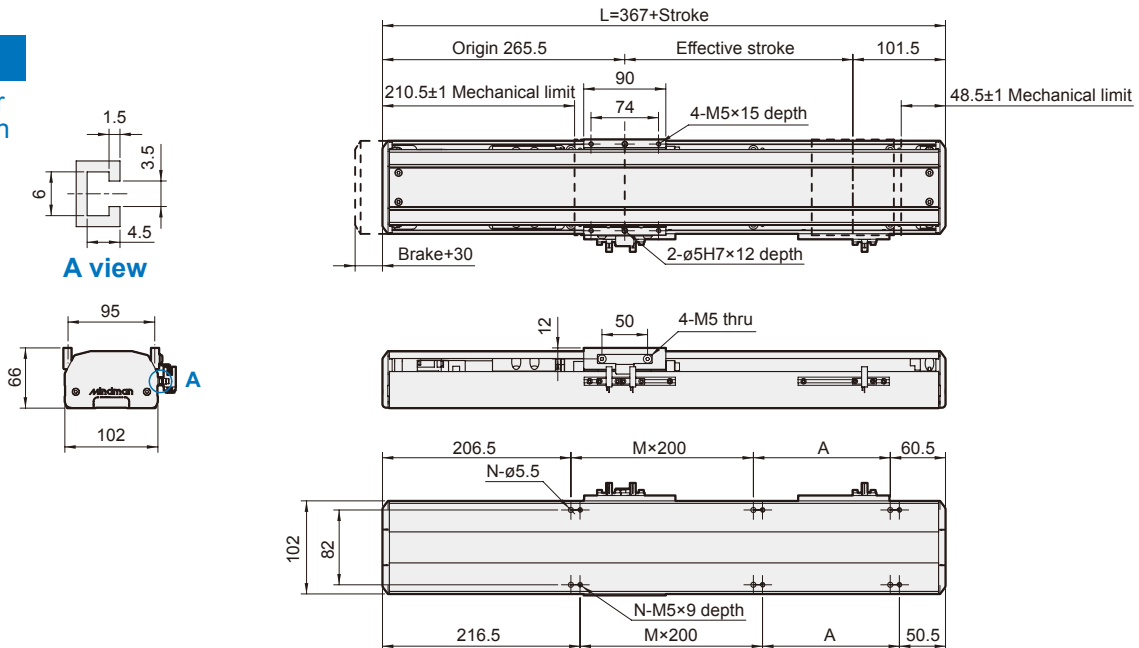


Unit: N.m

Horizontal	
AC servo motor 100W / 200W	
MY	110
MP	110
MR	120

Dimensions

M
Motor built-in



Stroke	100	150	200	250	300	350	400	450	500	550	600	650	700	750	800	850	900	950	1000
L	467	517	567	617	667	717	767	817	867	917	967	1017	1067	1117	1167	1217	1267	1317	1367
A	200	50	100	150	200	50	100	150	200	50	100	150	200	50	100	150	200	50	100
M	0	1	1	1	1	2	2	2	2	3	3	3	3	4	4	4	4	5	5
N	4	6	6	6	6	8	8	8	8	10	10	10	10	12	12	12	12	14	14

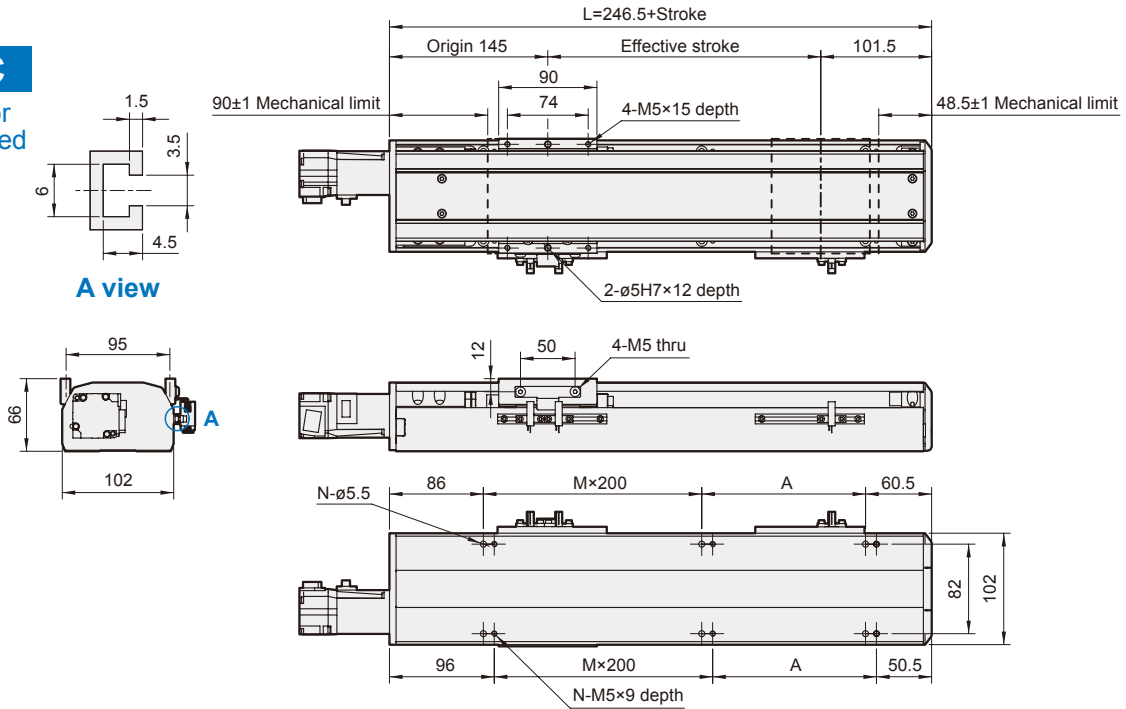
* When delta 100W, brake +40.

METS2-10 Dimensions

SLIDER ELECTRIC CYLINDER (WITHOUT MOTOR)

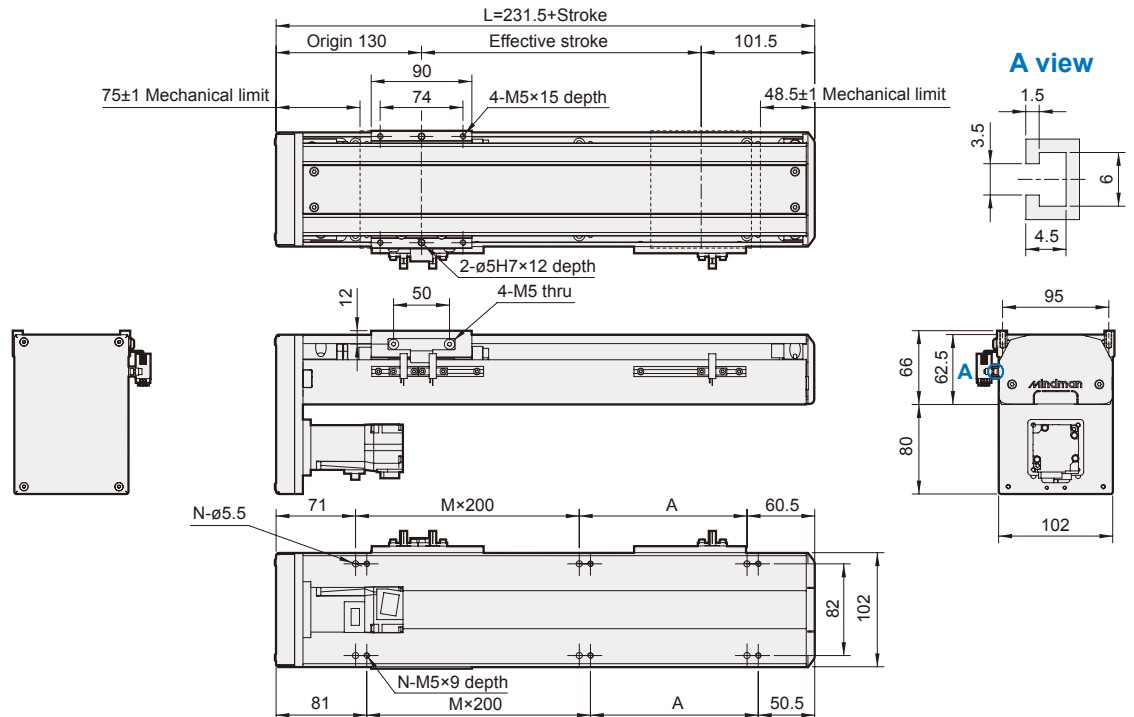


BC
Motor exposed



Stroke	100	150	200	250	300	350	400	450	500	550	600	650	700	750	800	850	900	950	1000
L	346.5	396.5	446.5	496.5	546.5	596.5	646.5	696.5	746.5	796.5	846.5	896.5	946.5	996.5	1046.5	1096.5	1146.5	1196.5	1246.5
A	200	50	100	150	200	50	100	150	200	50	100	150	200	50	100	150	200	50	100
M	0	1	1	1	1	2	2	2	2	3	3	3	3	4	4	4	4	5	5
N	4	6	6	6	6	8	8	8	8	10	10	10	10	12	12	12	12	14	14

BM
Motor bottom side



Stroke	100	150	200	250	300	350	400	450	500	550	600	650	700	750	800	850	900	950	1000
L	331.5	381.5	431.5	481.5	531.5	581.5	631.5	681.5	731.5	781.5	831.5	881.5	931.5	981.5	1031.5	1081.5	1131.5	1181.5	1231.5
A	200	50	100	150	200	50	100	150	200	50	100	150	200	50	100	150	200	50	100
M	0	1	1	1	1	2	2	2	2	3	3	3	3	4	4	4	4	5	5
N	4	6	6	6	6	8	8	8	8	10	10	10	10	12	12	12	12	14	14

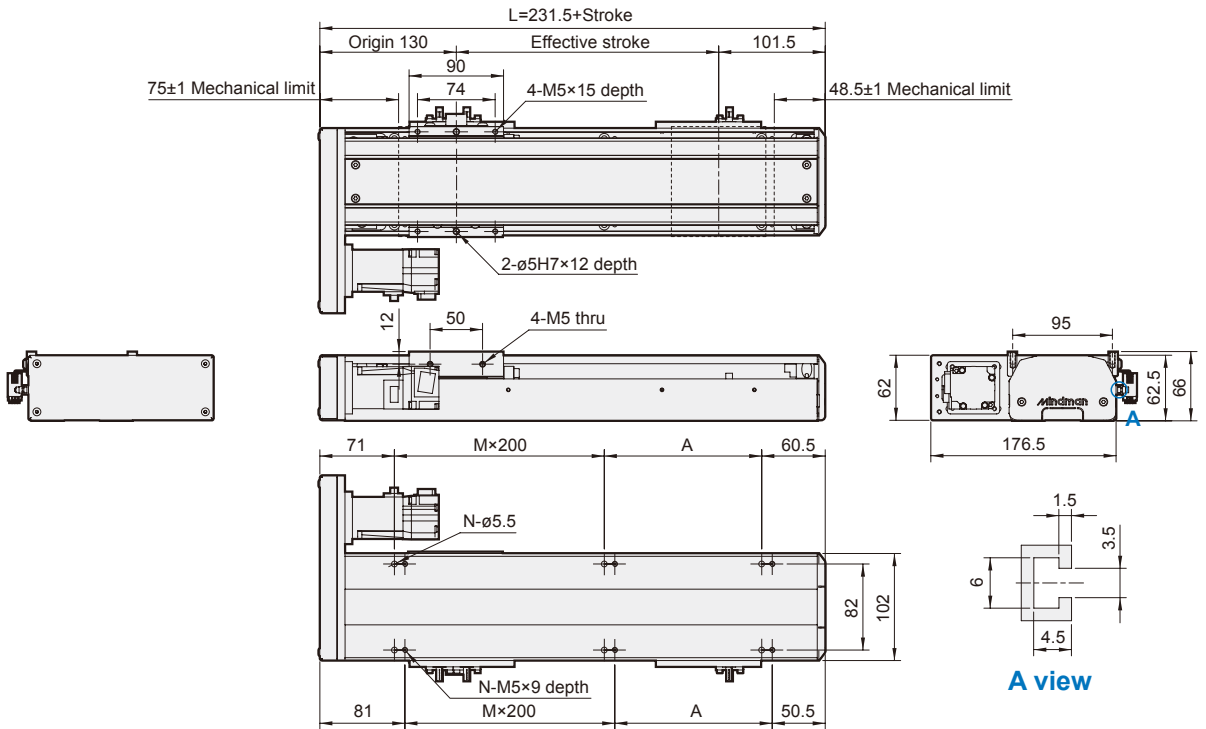
METS2-10 Dimensions



SLIDER ELECTRIC CYLINDER (WITHOUT MOTOR)

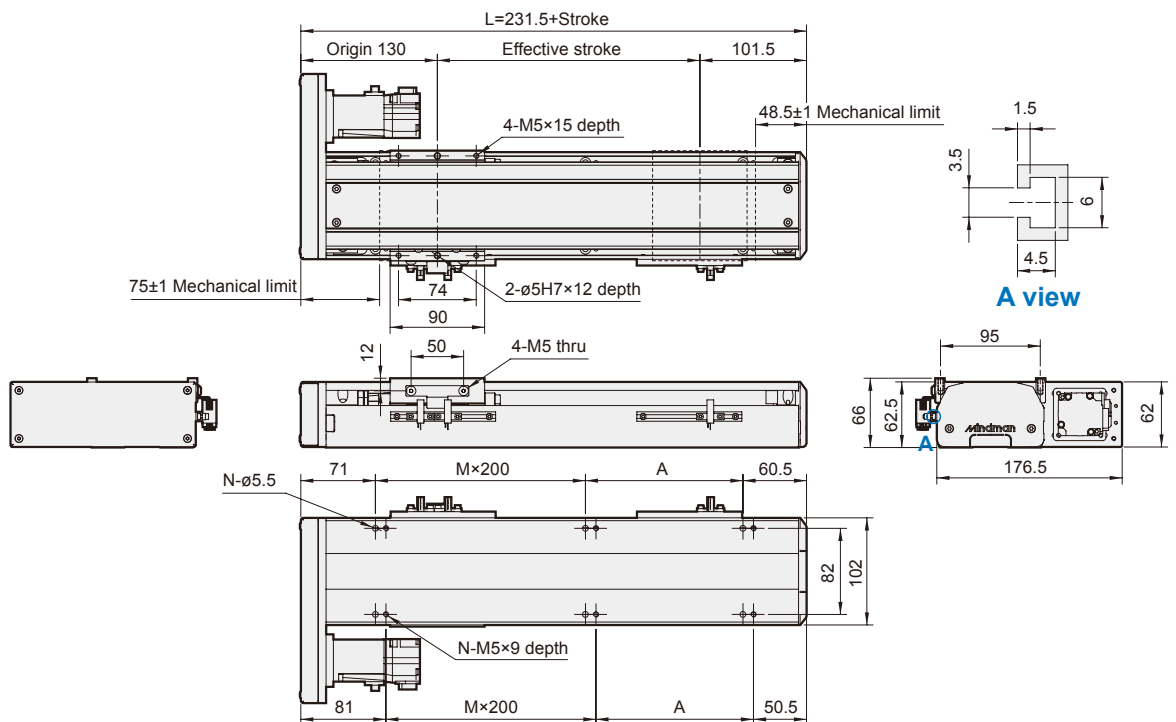
mindman

BL
Motor left side



Stroke	100	150	200	250	300	350	400	450	500	550	600	650	700	750	800	850	900	950	1000
L	331.5	381.5	431.5	481.5	531.5	581.5	631.5	681.5	731.5	781.5	831.5	881.5	931.5	981.5	1031.5	1081.5	1131.5	1181.5	1231.5
A	200	50	100	150	200	50	100	150	200	50	100	150	200	50	100	150	200	50	100
M	0	1	1	1	1	2	2	2	2	3	3	3	3	4	4	4	4	5	5
N	4	6	6	6	6	8	8	8	8	10	10	10	10	12	12	12	12	14	14

BR
Motor right side



Stroke	100	150	200	250	300	350	400	450	500	550	600	650	700	750	800	850	900	950	1000
L	331.5	381.5	431.5	481.5	531.5	581.5	631.5	681.5	731.5	781.5	831.5	881.5	931.5	981.5	1031.5	1081.5	1131.5	1181.5	1231.5
A	200	50	100	150	200	50	100	150	200	50	100	150	200	50	100	150	200	50	100
M	0	1	1	1	1	2	2	2	2	3	3	3	3	4	4	4	4	5	5
N	4	6	6	6	6	8	8	8	8	10	10	10	10	12	12	12	12	14	14