

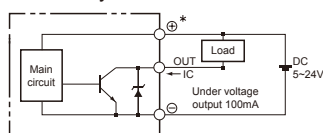
# METS2-17 series

## SLIDER ELECTRIC CYLINDER (WITHOUT MOTOR)



Environment	Standard	Servo motor	400W / 750W
Actuation type	Ball screw	Guide type	Linear guide

Sensor layout



### Specification

Model	METS2-17		
Position repeatability (mm)	±0.01		
Lead (mm)	5	10	20
Max. speed (mm/s)	250	500	1000
Stroke (mm)	100~1200 / 50 pitch		
Ball screw O.D. (mm)	C7 ø20		
Home sensor	EE-SX672 (NPN)		

AC servo motor	400W		
Coupling (mm)	10×14 / 6.35 (*1)		
Max. payload	Horizontal (kg)	120	110
	Vertical (kg)	40	30
Rated thrust (N)	1388	694	347

AC servo motor	750W		
Coupling (mm)	10×19		
Max. payload	Horizontal (kg)	120	120
	Vertical (kg)	50	40
Rated thrust (N)	2563	1281	640

\*1. Motor □56 shaft diameter: ø6.35, other ø14.

\*2. When the stroke is over 750mm, the run-out of the ballscrew will occur. We recommend to low down the working speed under this circumstances.

\*3. Acceleration and deceleration value is set 0.2 second.

### Order example

**METS2-17 - L05 - 100 - BC - M40 B - A3 - XA00**

Model	Size	Stroke	Motor position	Motor brand	Power output	Brakes	Limit sensor
L05	5 mm	100~1200 mm 50 mm pitch	M Motor built-in (*)	M Mitsubishi	40 75 400W 750W servo	- No brake	- No sensor
L10	10 mm		BC Motor exposed	P Panasonic		B With brake	A1 1 pc
L20	20 mm		BM Motor bottom side	Y Yaskawa		A2 2 pcs	
		BR Motor right side	D Delta	A3 3 pcs			
		BL Motor left side	E Else				
			S Mindman	56 □56			

\* Not suit for 750W servo.

### Standard servo motors

Brand	Mark	Power output	Motor model (Without brake)	Motor model (With brake)	Motor rod dim. (mm)	Motor mount P.C.D (mm)	Mounting port (mm)
Mitsubishi	M	400W	HG-KN43J	HG-KN43B J	ø14	ø70	4-ø5.8
		750W	HG-KN73J	HG-KN73B J	ø19	ø90	4-ø6.6
Panasonic	P	400W	MHMF042L1U2M	MHMF042L1V2M	ø14	ø70	4-ø4.5
		750W	MHMF082L1U2M	MHMF082L1V2M	ø19	ø90	4-ø6.0
Yaskawa	Y	400W	SGM7J-04A7A21	SGM7J-04A7A2C	ø14	ø70	4-ø5.5
		750W	SGM7J-08A7A21	SGM7J-08A7A2C	ø19	ø90	4-ø7.0
Delta	D	400W	ECMA-C20604PS	ECMA-C20604QS	ø14	ø70	4-ø5.5
		750W	ECMA-C20807PS	ECMA-C20807FS	ø19	ø90	4-ø6.6
Mindman	S	□56	-	-	ø6.35	□47.14	4-ø5.0

\* If your inquiry is not included in above table, please kindly contact us.

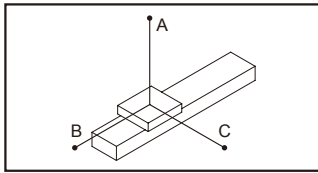
# METS2-17 Performance charts & Dimensions



## SLIDER ELECTRIC CYLINDER (WITHOUT MOTOR)

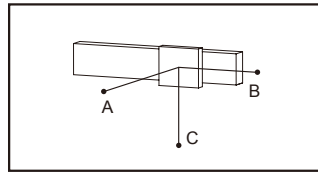
Mindman

### Allowable overhang



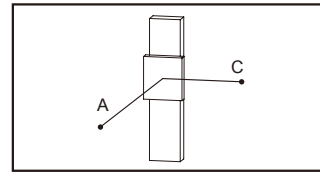
Unit: mm

Horizontal installation		A	B	C
AC servo motor 400W / 750W				
Lead 5	70kg	3235	349	408
	90kg	2482	263	306
	120kg	1850	187	217
Lead 10	65kg	1911	338	373
	85kg	1445	248	276
	110kg	1102	182	202
	120kg*	1000	164	182
Lead 20	35kg	1666	547	538
	55kg	1030	331	328
	75kg	733	231	230
	83kg*	654	206	204



Unit: mm

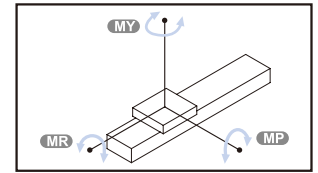
Wall installation		A	B	C
AC servo motor 400W / 750W				
Lead 5	75kg	377	322	2988
	95kg	288	246	2333
	120kg	218	187	1850
Lead 10	60kg	408	368	2092
	80kg	296	266	1554
	110kg	202	182	1102
	120kg*	182	164	1002
Lead 20	30kg	633	644	1961
	50kg	365	369	1143
	75kg	230	231	733
	83kg*	204	206	656



Unit: mm

Vertical installation		A	C
AC servo motor 400W / 750W			
Lead 5	20kg	1368	1368
	30kg	911	911
	40kg	683	683
	50kg*	546	546
Lead 10	15kg	1618	1618
	25kg	970	970
	30kg	808	808
Lead 20	40kg*	607	607
	10kg	1922	1922
	14kg	1377	1377
	25kg*	769	769

### Static loading moment



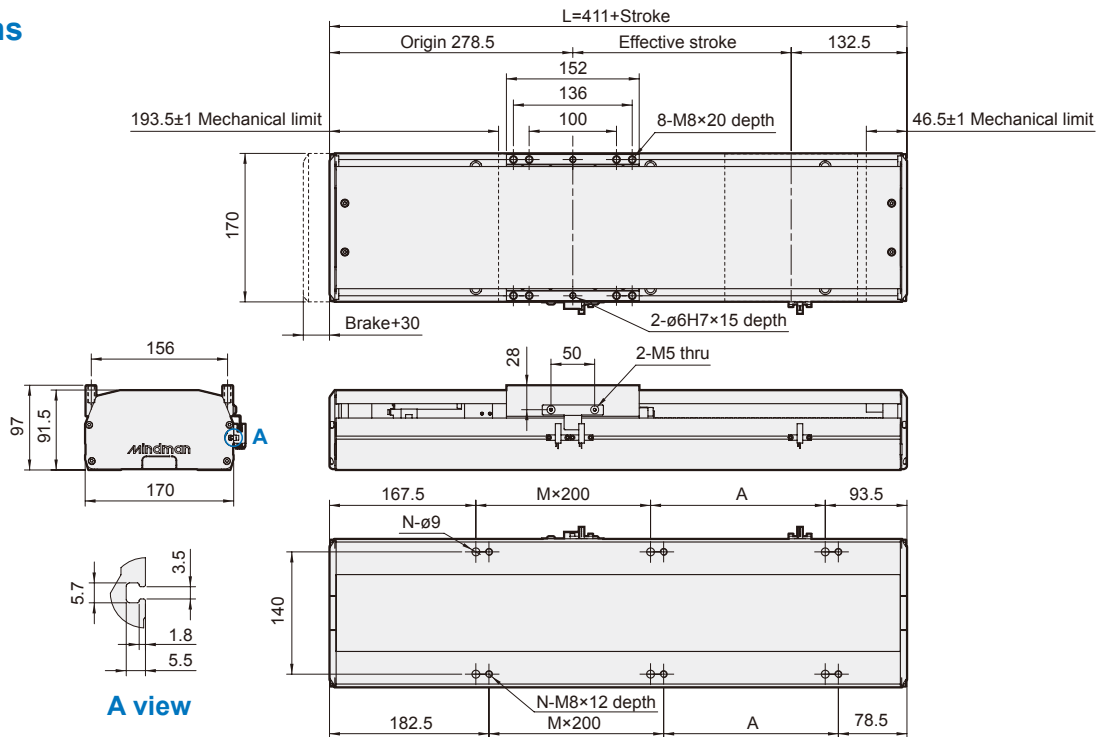
Unit: N.m

Horizontal	
AC servo motor 400W / 750W	
MY	1032
MP	1034
MR	908

\* Only for 750W motor.

### Dimensions

**M**  
Motor built-in



A view

Stroke	100	150	200	250	300	350	400	450	500	550	600	650	700	750	800	850	900	950	1000	1050	1100	1150	1200
L	511	561	611	661	711	761	811	861	911	961	1011	1061	1111	1161	1211	1261	1311	1361	1411	1461	1511	1561	1611
A	50	100	150	200	50	100	150	200	50	100	150	200	50	100	150	200	50	100	150	200	50	100	150
M	1	1	1	1	2	2	2	2	3	3	3	3	4	4	4	4	5	5	5	5	6	6	6
N	6	6	6	6	8	8	8	8	10	10	10	10	12	12	12	12	14	14	14	14	16	16	16

# METS2-17 Dimensions

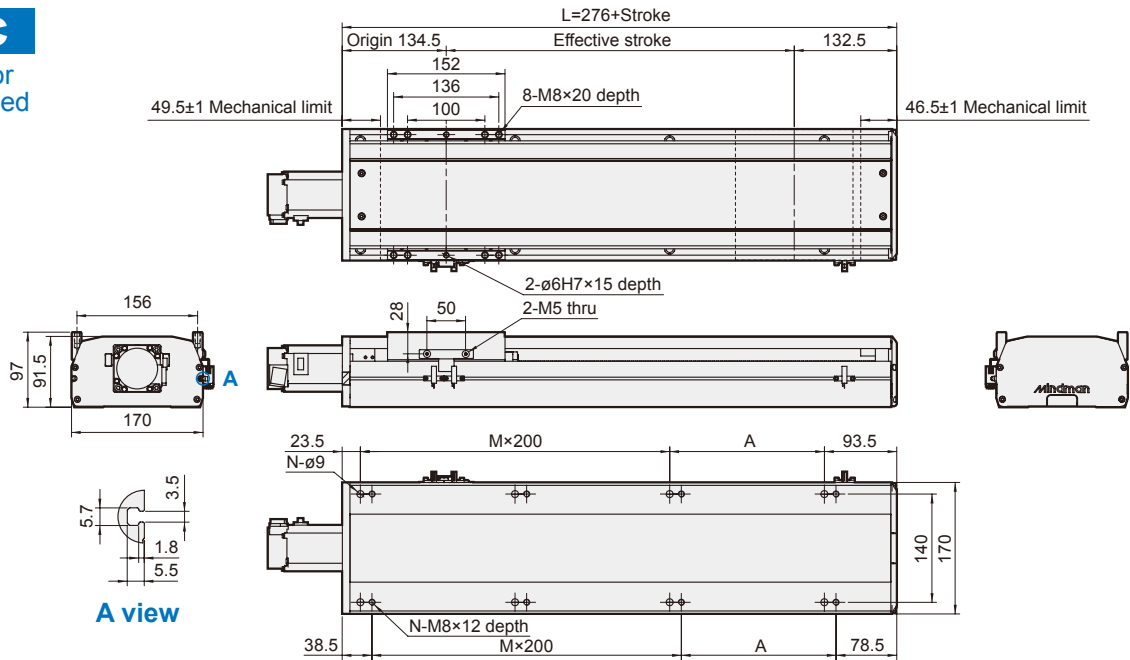


## SLIDER ELECTRIC CYLINDER (WITHOUT MOTOR)

mindman

### BC

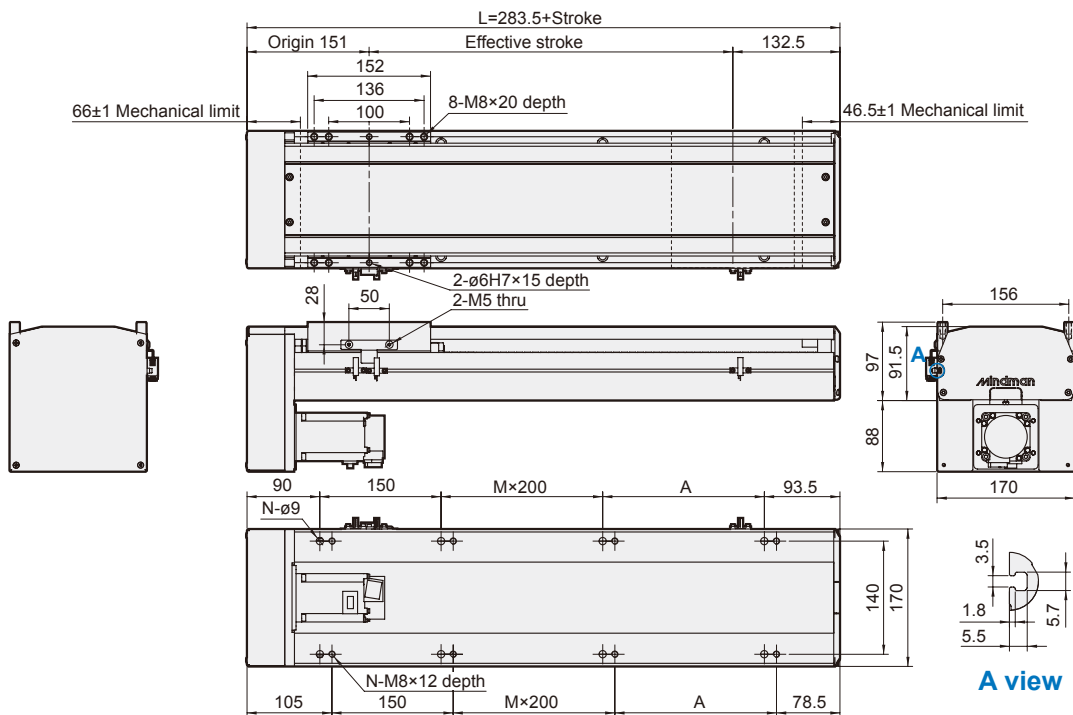
Motor exposed



Stroke	100	150	200	250	300	350	400	450	500	550	600	650	700	750	800	850	900	950	1000	1050	1100	1150	1200
L	367	417	467	517	567	617	667	717	767	817	867	917	967	1017	1067	1117	1167	1217	1267	1317	1367	1417	1467
A	50	100	150	200	50	100	150	200	50	100	150	200	50	100	150	200	50	100	150	200	50	100	150
M	1	1	1	1	2	2	2	2	3	3	3	3	4	4	4	4	5	5	5	5	6	6	6
N	6	6	6	6	8	8	8	8	10	10	10	10	12	12	12	12	14	14	14	14	16	16	16

### BM

Motor bottom side



Stroke	100	150	200	250	300	350	400	450	500	550	600	650	700	750	800	850	900	950	1000	1050	1100	1150	1200
L	383.5	433.5	483.5	533.5	583.5	633.5	683.5	733.5	783.5	833.5	883.5	933.5	983.5	1033.5	1083.5	1133.5	1183.5	1233.5	1283.5	1333.5	1383.5	1433.5	1483.5
A	50	100	150	200	50	100	150	200	50	100	150	200	50	100	150	200	50	100	150	200	50	100	150
M	0	0	0	0	1	1	1	1	2	2	2	2	3	3	3	3	4	4	4	4	5	5	5
N	6	6	6	6	8	8	8	8	10	10	10	10	12	12	12	12	14	14	14	14	16	16	16

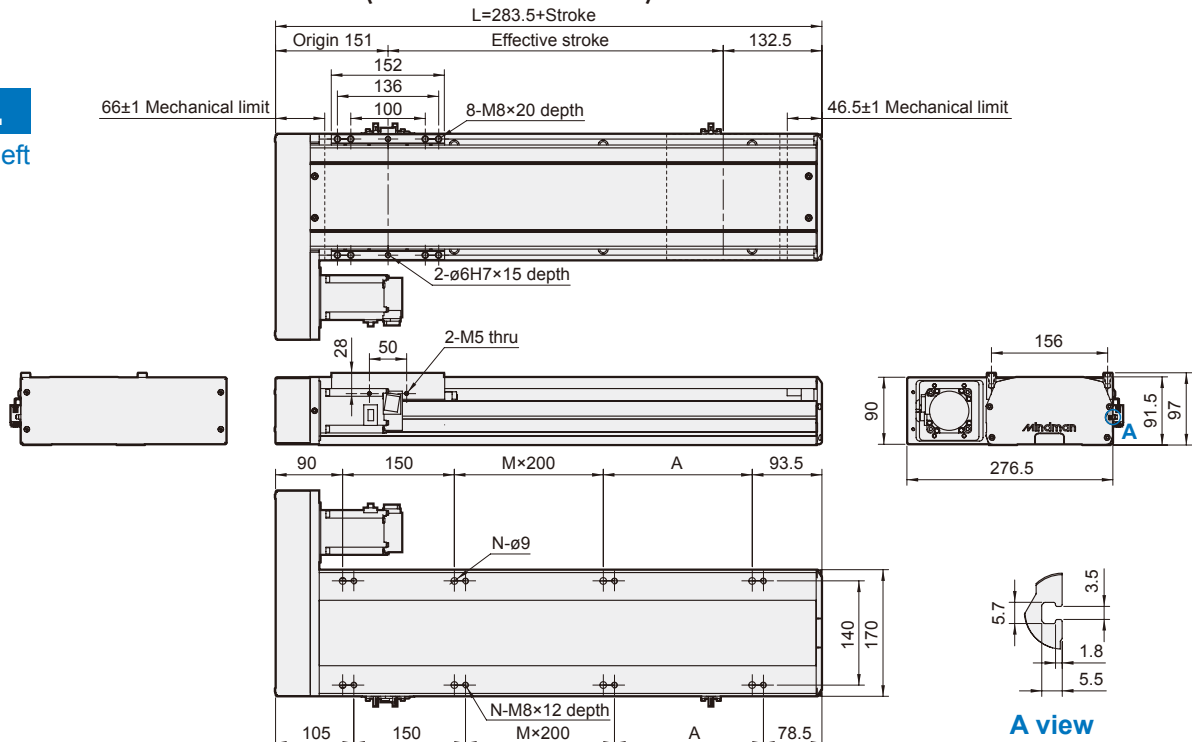
# METS2-17 Dimensions



## SLIDER ELECTRIC CYLINDER (WITHOUT MOTOR)

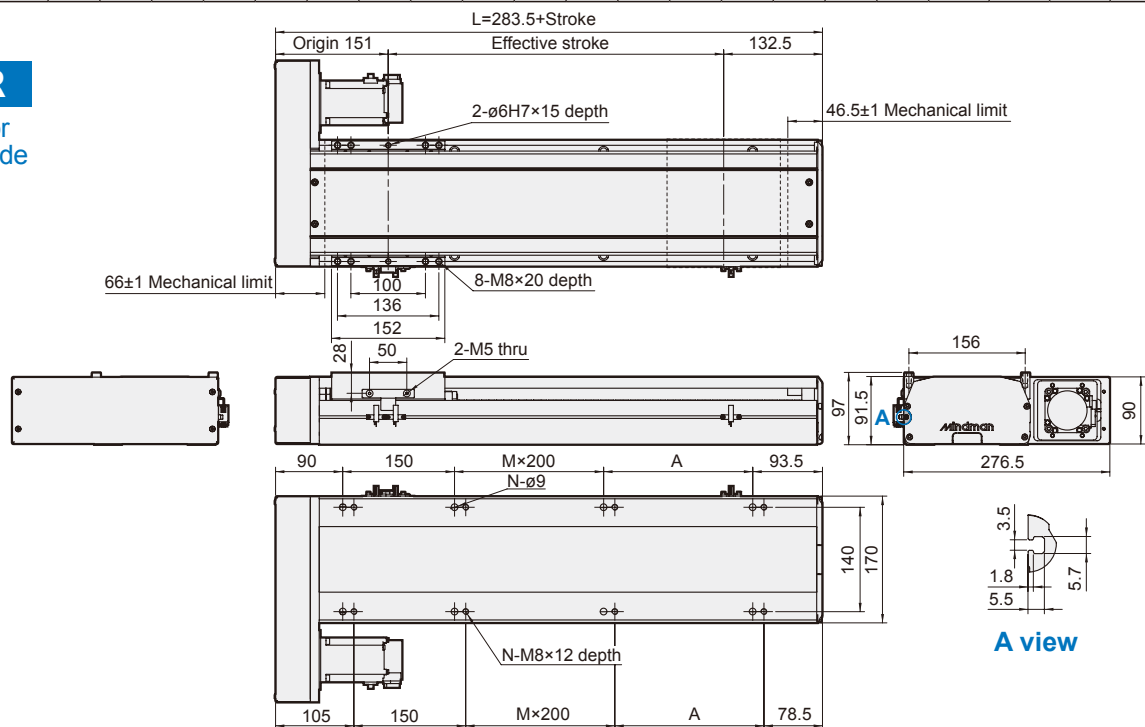
mindman

**BL**  
Motor left side



Stroke	100	150	200	250	300	350	400	450	500	550	600	650	700	750	800	850	900	950	1000	1050	1100	1150	1200
<b>L</b>	383.5	433.5	483.5	533.5	583.5	633.5	683.5	733.5	783.5	833.5	883.5	933.5	983.5	1033.5	1083.5	1133.5	1183.5	1233.5	1283.5	1333.5	1383.5	1433.5	1483.5
<b>A</b>	50	100	150	200	50	100	150	200	50	100	150	200	50	100	150	200	50	100	150	200	50	100	150
<b>M</b>	0	0	0	0	1	1	1	1	2	2	2	2	3	3	3	3	4	4	4	4	5	5	5
<b>N</b>	6	6	6	6	8	8	8	8	10	10	10	10	12	12	12	12	14	14	14	14	16	16	16

**BR**  
Motor right side



Stroke	100	150	200	250	300	350	400	450	500	550	600	650	700	750	800	850	900	950	1000	1050	1100	1150	1200
<b>L</b>	383.5	433.5	483.5	533.5	583.5	633.5	683.5	733.5	783.5	833.5	883.5	933.5	983.5	1033.5	1083.5	1133.5	1183.5	1233.5	1283.5	1333.5	1383.5	1433.5	1483.5
<b>A</b>	50	100	150	200	50	100	150	200	50	100	150	200	50	100	150	200	50	100	150	200	50	100	150
<b>M</b>	0	0	0	0	1	1	1	1	2	2	2	2	3	3	3	3	4	4	4	4	5	5	5
<b>N</b>	6	6	6	6	8	8	8	8	10	10	10	10	12	12	12	12	14	14	14	14	16	16	16