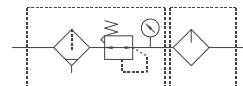


FRL AIR PREPARATION UNIT SERIES MACP300



The new FRL unit series with robust metal construction with polycarbonate bowls with plastic guards. High flow rate and 5 µm filter element predestine these units for all smaller applications.



Port thread	G1/4"	G3/8"
Primary pressure [MPa]	0,05 to 0,99	
Secondary pressure [MPa]	0,05 to 0,85	
Test pressure [MPa]	1,5	
Temperature range [°C]	-5 to +60	
Filter element [µm]	5	
Oil bowl capacity [l]	0,055	
Min. lubricator flow [Nl/min]	50	60
Weight [kg]	0,72	
Supply contain	gauge (PPG-40, R1/8"), bracket	

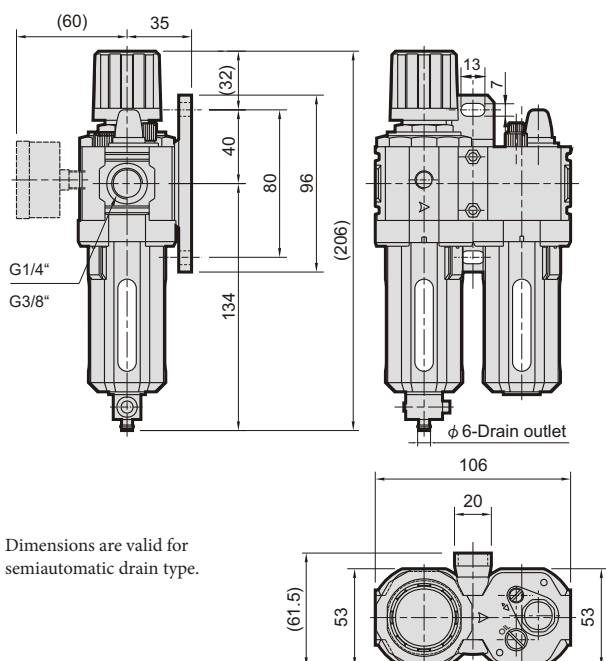
Order codes

PMACP300-8A = BSP

Port size		Condensation draining	
8A	G1/4"	-	semiautomatic
10A	G3/8"	D	automatic

i Semiautomatic condensation draining automatically drain when the primary pressure drop under 0,05 MPa.

Dimensions



Flow capacity

Flow rates at primary pressure 0,7 MPa

