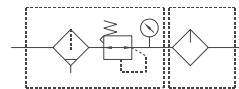




The new FRL unit series is interesting for its robust metal construction inclusive metal bowls with level indicator at first sight. Countersunk gauge isn't predisposed to damage. These accessible units with good flow capacity and 40 µm filter element will find exercise in many applications.



Port thread	G1/4"	G3/8"	G1/2"
Primary pressure [MPa]	0,1 to 1,5		
Secondary pressure [MPa]	0,1 to 0,85		
Test pressure [MPa]	2,0		
Temperature range [°C]	-5 to +60		
Filter element [µm]	40		
Oil bowl capacity [l]	0,2		
Min. lubricator flow [Nl/min]	30	65	80
Weight [kg]	1,52		
Supply contain	gauge (PPG-20), bracket (elbow)		

### Order codes

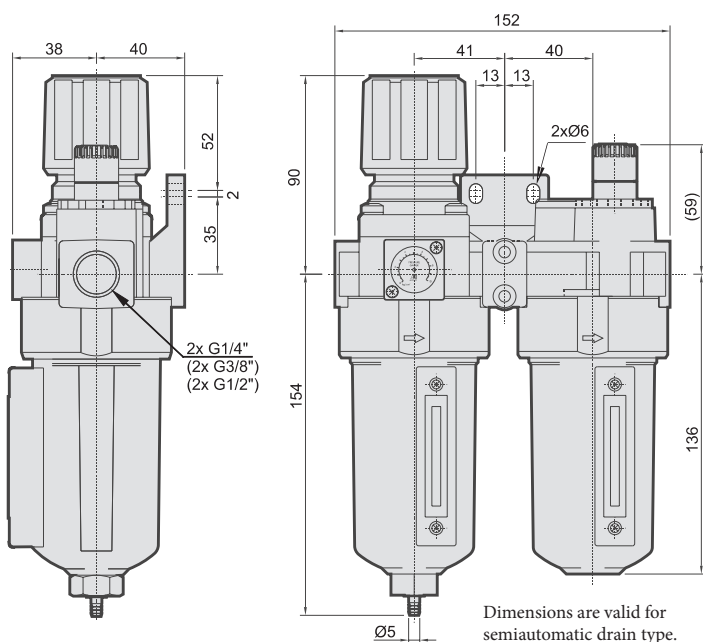
PMACP401-8A = BSP

Port size		Condensation draining	
8A	G1/4"	—	semiautomatic
10A	G3/8"	D	automatic
15A	G1/2"		



Semiautomatic condensation draining automatically drain when the primary pressure drop under 0,05 MPa.

### Dimensions



### Flow capacity

