

DOUBLE ACTING PNEUMATIC CYLINDERS DIN ISO 6432

Cylinders are designed to meet the specifications of international standard ISO 6432. The cylinders can work in higher temperatures by request. There is no cushioning at the end of stroke.



Working pressure	0.6 MPa
Min. pressure	0.15 MPa
Max. pressure	1.0 MPa
Temp. range	-20°C to +80°C *
Working medium	modified compressed air

*) values are valid for standard gaskets

Piston diameter [mm]	12	16
Thrust at 0.6 MPa [N]	66	121
Thrust at 0.6 MPa [N] with double ended piston rod	50	102
Return force at 0.6 MPa [N]	50	102
Connection	M5	M5
Max. stroke [mm] *	300*	300*
Weight 0 mm stroke [kg]	0.06	0.07
Weight add. per 1 mm stroke [kg]	0.0005	0.0008
Weight 0 mm stroke [kg] with double ended piston rod	0.06	0.07
Weight add. per 1 mm stroke [kg] with dbl. ended piston rod	0.0006	0.0009

*) Stroke of cylinder may be longer after agreement with our technical dept.

Order codes

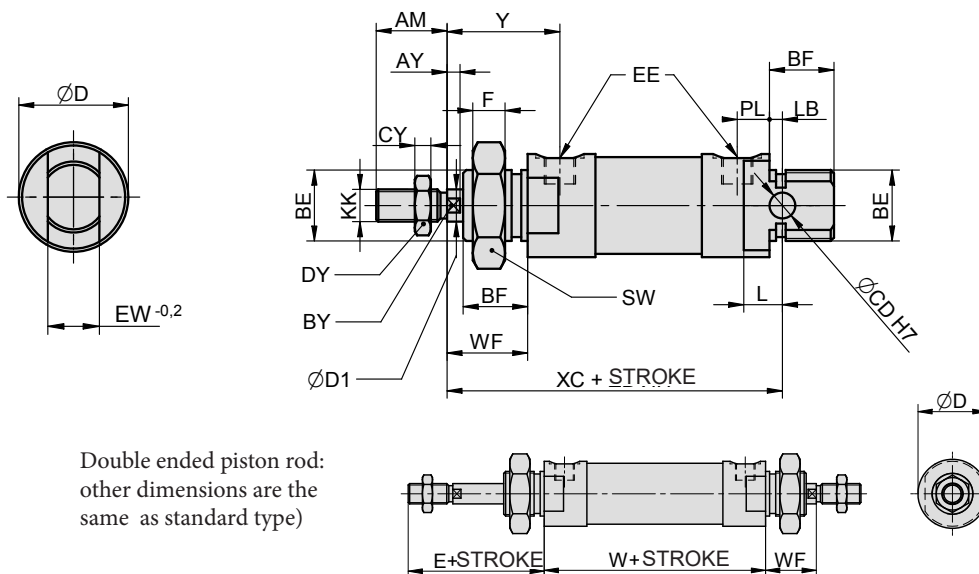
11001 00 00 016 0050

Type	Equipment	Options	Piston diameter	Stroke / Repair kit
11001 to DIN ISO 6432, double acting	00 w/o cushioning, w/o magnet	00 without options	012 12 mm	xxxx mm of stroke e.g.: 0050 = stroke 50 mm
	05 with double ended piston rod, w/o cushioning, w/o magnet	10 Viton® piston rod sealing	016 16 mm	9999 repair kit
	10 w/o cushioning, with magnet	11 Viton® gaskets (up to 180°C)		
	15 with double ended piston rod, w/o cushioning, with magnet	14 1.4301 stainless steel piston rod		
		16 steel parts from stainless 1.4301 piston rod stainless 1.4401		

For more options regarding materials or dimensions, please contact our technical dept.

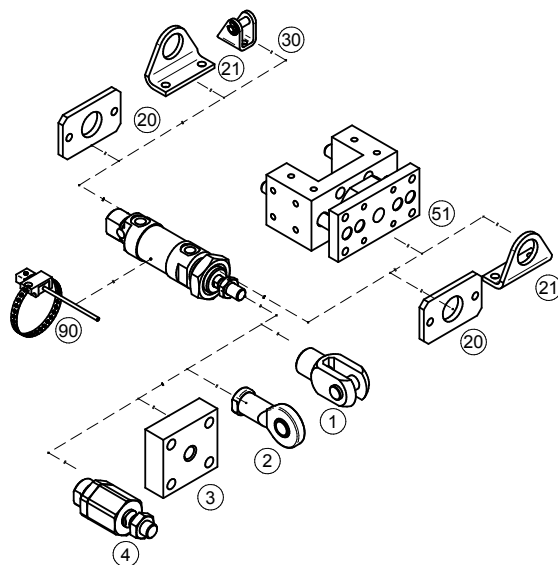
Construction / materials

- caps: anodized dural
- body: drawn dural tube, anodized
- piston rod: grounded round steel bar CK45 with hard chrome plated surface

Dimensions


Double ended piston rod:
other dimensions are the
same as standard type)

\varnothing	AM	AY	BE	BF	BY	CD	CY	D	D1	DY	E	EE	EW	F	KK	L	LB	PL	SW	WF	XC	Y	W
12	16	3	M16x1.5	15	5	6	3	22	6	10	36	M5	12	8	M6	10	4	5	24	20	75	25	45
16	16	3	M16x1.5	15	5	6	3	25	6	10	36	M5	12	8	M6	11	5	5	24	20	82	25	50

Mounting accessories


Mounting accessories ... see page	
1	Piston rod clevis ... 4-2
2	Piston rod eye ... 4-3
3	Flanged piston rod coupling ... 4-2
4	Self-aligning piston rod coupling ... 4-3
20	Flange mounting ... 4-7
21	Foot mounting ... 4-5
30	Swivel flange ... 4-5
51	Guide unit with slide bearings ... 4-20
90	Prox. switch ... 3-2, 3-4