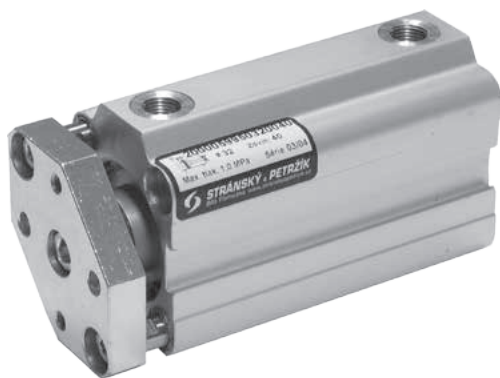


DOUBLE ACTING PNEUMATIC CYLINDERS SHORT STROKE WITH GUIDE WITH SLIDE BEARINGS



Pneumatic cylinder may be used, when small mounting dimensions are required. The cylinders can work in higher temperatures by request. There is no cushioning at end of stroke. This design features a torque resistant guide system to prevent piston rod rotation. Guiding rods are mounted in slide bearings without clearance.

Working pressure	0.6 MPa
Min. pressure	0.15 MPa
Max. pressure	1.0 MPa
Temp. range	-20°C to +80°C *
Working medium	modified compressed air

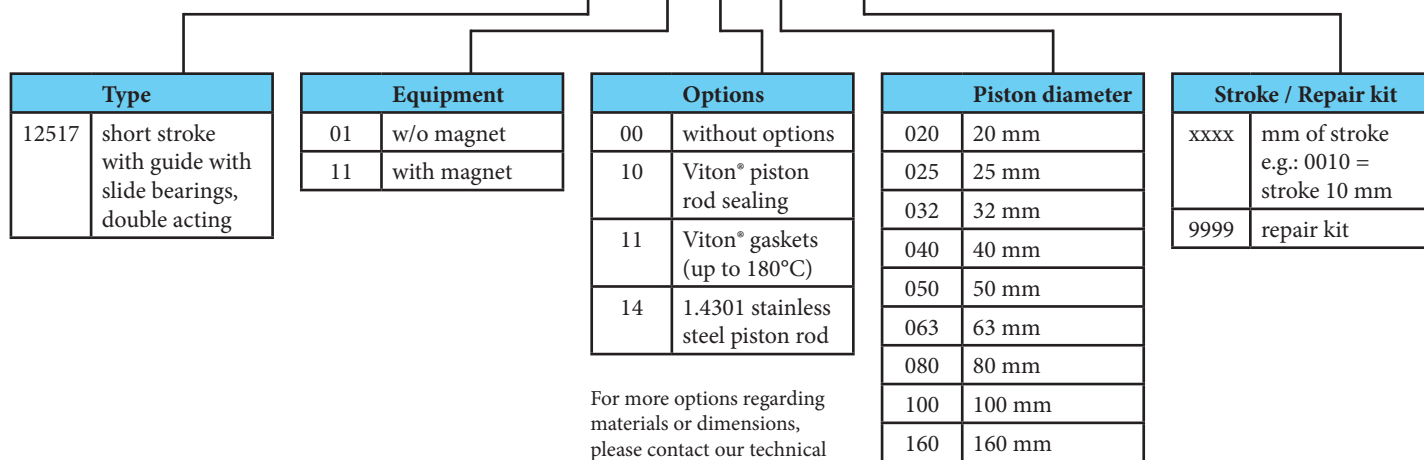
*) values are valid for standard gaskets

Piston diameter [mm]	20	25	32	40	50	63	80	100	160
Thrust at 0,6 MPa [N]	188	295	482	754	1178	1870	3015	4713	12064
Return force at 0,6 MPa [N]	158	248	415	662	1025	1717	2720	4484	11309
Connection	M5	G1/8"	G1/8"	G1/8"	G1/8"	G1/8"	G1/4"	G1/4"	G3/8"
Max. stroke [mm] *	50*	50*	50*	50*	50*	50*	50*	50*	60*
Weight 0 mm stroke [kg]	0.20	0.25	0.30	0.37	0.50	0.69	1.46	1.78	13.5
Weight add. per 1 mm stroke [kg]	0.0023	0.0037	0.0053	0.0075	0.012	0.018	0.022	0.028	0.100

*) Stroke of cylinder may be longer after agreement with our technical dept.

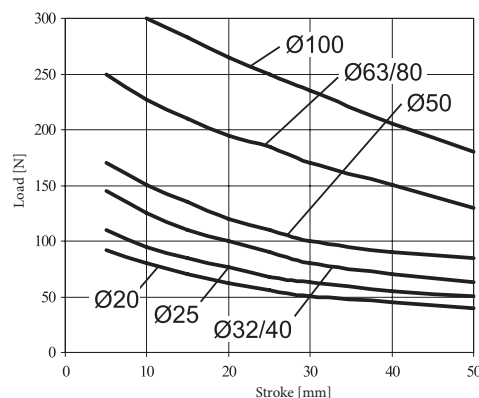
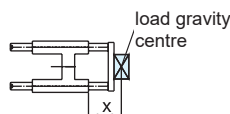
Order codes

12517 11 00 050 0010



For more options regarding materials or dimensions, please contact our technical dept.

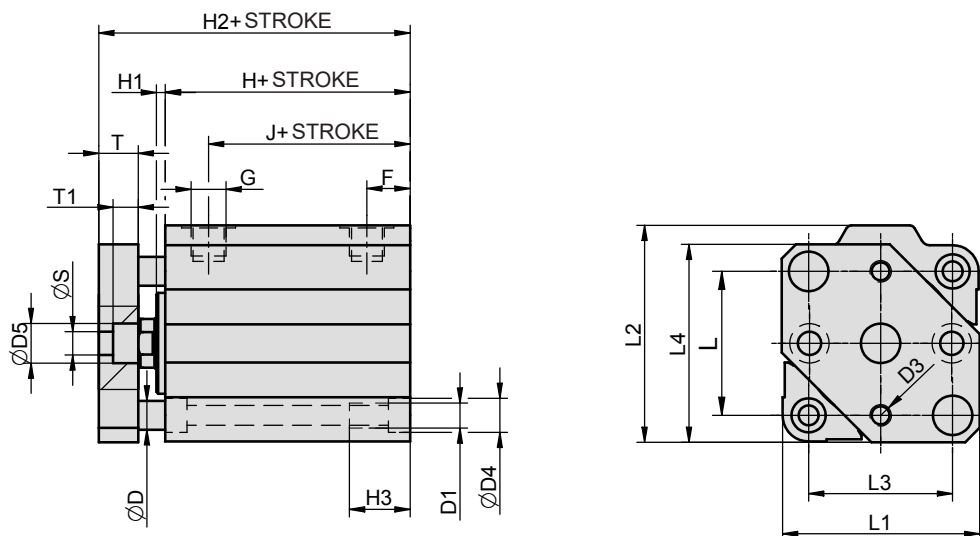
Useful load



Construction / materials

- caps: anodized dural
- body: drawn dural profile, anodized, piston dia. 160 mm: aluminium casting
- piston rod and guiding rods: grounded round steel bar CK45 with hard chrome plated surface
- flange: zinc plated steel
- guiding rods are mounted in slide bearings

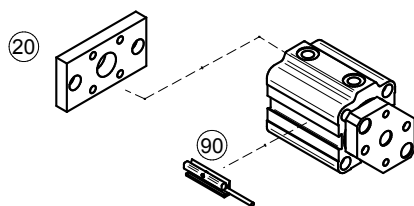
Dimensions



Ø	D	D1	D3	D4	D5	F	G	H	H1	H2	H3	J	L	L1	L2	L3	L4	S	T	T1
20	5	M5	M4	7 depth 5	8	9	M5	28	2.5	44.5	15	19	22	32	35	22	32	4.5	9	5
20M	5	M5	M4	7 depth 5	8	9	M5	53.5	2.5	70	15	44.5	22	32	35	22	32	4.5	9	5
25	6	M5	M4	8 depth 5	8	10	G1/8 st	32	2.5	48.5	15	22	28	38	44.5	26	39	4.5	9	5
25M	6	M5	M4	8 depth 5	8	10	G1/8 st	46	2.5	62.5	15	22	28	38	44.5	26	39	4.5	9	5
32	8	M6	M5	9.5 depth 6	10	11	G1/8 st	40	2.5	57.5	18	29	36	45	54	32	48	5.5	10	6
32M	8	M6	M5	9.5 depth 6	10	11	G1/8 st	52	2.5	69.5	18	41	36	46	54	32	48	5.5	10	6
40	8	M6	M6	9.5 depth 6	11	12	G1/8 st	48	2.5	66.5	18	36	40	55	60	40	55	6.5	11	7
50	10	M8	M6	11 depth 8	11	13	G1/8 st	49	2.5	70.5	24	36	50	65	73	50	65	6.5	13	7
63	12	M10	M8	14 depth 8.5	15	14.5	G1/8 st	47	3.5	69.5	24.5	32.5	62	80	88	62	80	8.5	13	9
80	12	M10	M8	14 depth 8.5	15	16.5	G1/4 st	52	3.5	76.5	24.5	34.5	82	100	109	82	100	8.5	15	9
80M	12	M10	M8	14 depth 8.5	15	16.5	G1/4 st	57	3.5	81.5	24.5	39.5	82	100	109	82	100	8.5	15	9
100	14	M12	M8	17 depth 11	15	20	G1/4 st	60	6	89	29	40	103	124	134	103	124	8.5	17	9
100M	14	M12	M8	17 depth 11	15	20	G1/4 st	62	6	91	29	42	103	124	134	103	124	8.5	17	9
160	22	M20	M12	26 depth 21	20	22.5	G3/8 st	96	-	137	45	73.5	154	200	210	154	200	13	24	13

Notice: M after piston diameter size means cylinder with magnetic piston.

Mounting accessories



Mounting accessories	... see page
20 Flange mounting	... 4-6
90 Prox. switch	... 3-2, 3-4