

SINGLE ACTING PNEUMATIC CYLINDERS

VDMA 24562, NF E 49003.1



Cylinders are designed to meet the specifications of international standards ISO 6431, VDMA 24562 and NF E 49003.1, that is why it can replace pneumatic cylinder, which is made by any producer to these standards. The cylinders can work in higher temperatures by request. There is no cushioning at the end of stroke.

Working pressure	0.6 MPa
Min. pressure	0.15 MPa
Max. pressure	1.0 MPa
Temp. range	-20°C to +80°C
Working medium	modified compressed air

Piston diameter [mm]	32	40	50	63	80	100
Thrust at 0.6 MPa [N]*	482	754	1178	1870	3015	4713
Return force at 0.6 MPa [N]*	415	633	990	1682	2720	4418
Spring restoring force [N]	42	42	66	66	70	74
Connection	G1/8"	G1/4"	G1/4"	G3/8"	G3/8"	G1/2"
Max. stroke [mm]	50	50	70	70	70	70
Weight 0 mm stroke [kg]	0.54	0.80	1.10	1.70	2.70	4.20
Weight add. per 1 mm stroke [kg]	0.0028	0.0037	0.0060	0.0062	0.0100	0.0110

*) Cylinder will make out either thrust or return force, accordingly to the type (spring return / extend).

Order codes

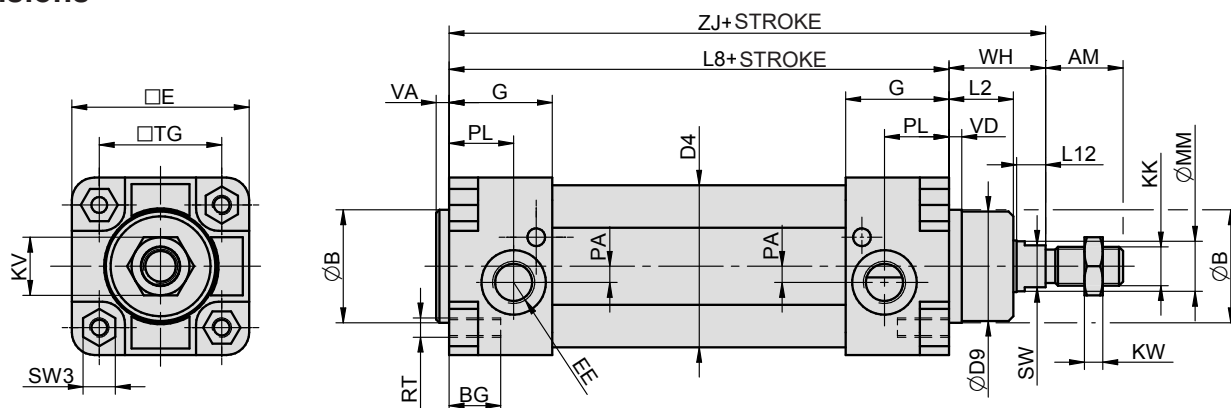
10105 10 00 050 0010

Type	Equipment	Options	Piston diameter	Stroke / Repair kit
10105 to DIN ISO 6431, VDMA 24562, NF E 49003.1, single acting, spring return	00 w/o magnet 10 with magnet	00 without options 05 all parts stainless steel, piston rod 1.4401 10 Viton® piston rod sealing 13 tie rod version 14 1.4301 stainless steel piston rod 16 steel parts from stainless 1.4301 piston rod stainless 1.4401 37 composite round tube+opt. 10 and 16	032 32 mm 040 40 mm 050 50 mm 063 63 mm 080 80 mm 100 100 mm	xxxx mm of stroke e.g.: 0010 = stroke 10 mm 9999 repair kit
10106 to DIN ISO 6431, VDMA 24562, NF E 49003.1, single acting, spring extend				

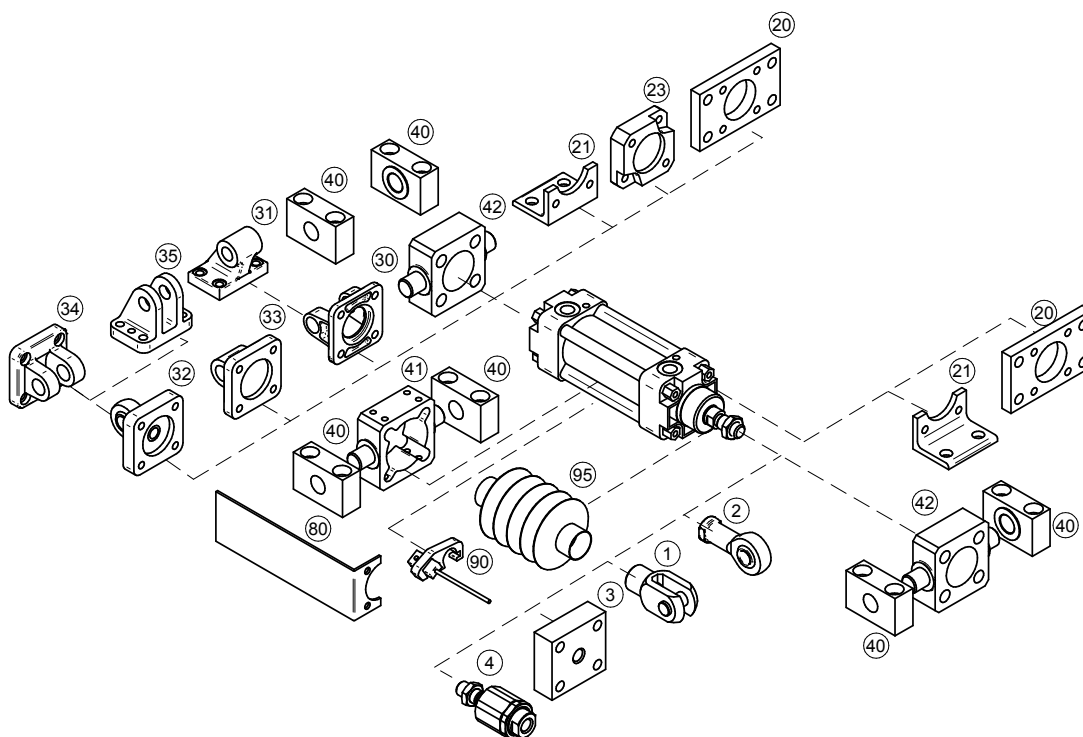
For more options regarding materials or dimensions, please contact our technical dept.

Construction / materials

- caps: drawn dural profile, anodised, piston dia. 100: aluminium casting, anodised
- body: drawn dural profile, anodized
- piston rod: ground round steel bar CK45 with hard chrome plated surface

Dimensions


Ø	AM	B	BG	D4	D9	E	EE	G	KK	KV	KW	L2	L8	L12	MM	PA	PL	RT	SW	SW3	TG	VA	VD	WH	ZJ
32	22	30	16	36	28	48	G1/8"	31.5	M10x1.25	17	6	18	94	8	12	5	22.5	M6	10	10	32.5	4	4	26	120
40	24	35	16	45	34	55	G1/4"	32	M12x1.25	19	10	20	105	9	16	5	20	M6	13	10	38	4	4	30	135
50	32	40	19	55	39	65	G1/4"	30	M16x1.5	24	8	22	106	10	20	3	17	M8	16	14	46.5	4	5	37	143
63	32	45	19	68	44	75	G3/8"	30	M16x1.5	24	8	23	121	10	20	6	16	M8	16	14	56.5	4	5	37	158
80	40	45	19	86	44	94	G3/8"	30	M20x1.5	30	9	31	128	10	25	10	16	M10	21	17	72	4	5	46	174
100	40	55	19	106	54	115	G1/2"	36	M20x1.5	30	9	34	138	10	25	11	18	M10	21	17	89	4	17	51	189

Mounting accessories


Mounting accessories	... see page
1 Piston rod clevis	... 4-2
2 Piston rod eye	... 4-3
3 Flanged piston rod coupling	... 4-2
4 Self-aligning piston rod coupling	... 4-3
20 Flange mounting	... 4-6
21 Foot mounting	... 4-4
23 Boxer flange mounting	... 4-22
30 Swivel flange	... 4-8
31 Clevis foot mounting	... 4-8
32 Swivel flange with spherical bearing	... 4-10
33 Swivel flange	... 4-7
34 Narrow swivel flange	... 4-9
35 Rectangular swivel flange	... 4-9
40 Trunnion mounting	... 4-12
41 Pivot pin	... 4-11
42 Pivot pin to front/end cap	... 4-12
80 Valve bracket	... 4-22
90 Prox. switch	... 3-2, 3-4, 3-7
95 Piston rod protective cover	... 4-23