

SINGLE ACTING PNEUMATIC CYLINDERS

DIN ISO 6432

Cylinders are designed to meet the specifications of international standard ISO 6432. Cylinders aren't equipped with cushioning.



Working pressure	0.6 MPa
Min. pressure	0.15 MPa
Max. pressure	1.0 MPa
Temp. range	-20°C to +80°C
Working medium	modified compressed air

Piston diameter [mm]	12	16	20	25
Thrust at 0.6 MPa [N]*	66	121	188	295
Return force at 0.6 MPa [N]*	50	102	158	248
Spring restoring force [N]	11	11	13	13
Connection	M5	M5	G1/8"	G1/8"
Max. stroke [mm]	50	50	50	50
Weight 0 mm stroke [kg]	0.04	0.05	0.15	0.18
Weight add. per 1 mm stroke [kg]	0.0005	0.0005	0.0010	0.0013

*) Cylinder will make out either thrust or return force, accordingly to the type (spring return / extend).

Order codes

11005 10 00 020 0010

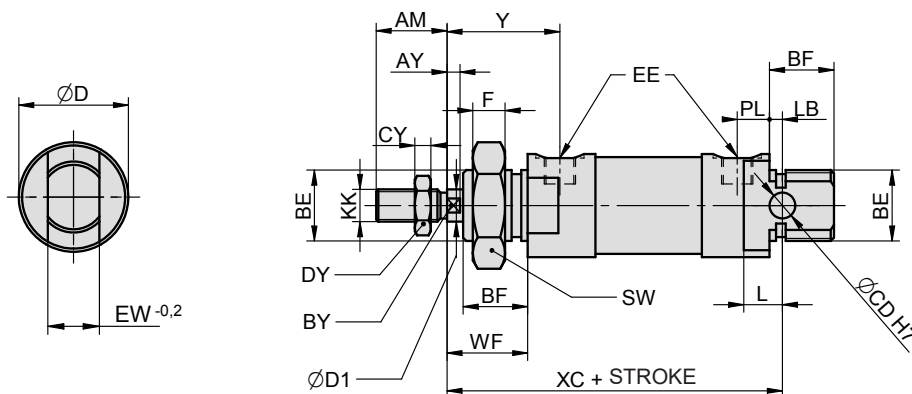
Type	Equipment	Options	Piston diameter	Stroke / Repair kit
11005 to DIN ISO 6432, single acting, spring return	00 w/o magnet 10 with magnet	00 without options 14 1.4301 stainless steel piston rod 16 steel parts from stainless 1.4301 piston rod stainless 1.4401	012 12 mm 016 16 mm 020 20 mm 025 25 mm	xxxx mm of stroke e.g.: 0010 = stroke 10 mm 9999 repair kit

For more options regarding materials or dimensions, please contact our technical dept.

Construction / materials

- caps: anodized dural
- body: drawn dural tube, anodized
- piston rod: grounded round steel bar CK45 with hard chrome plated surface

Dimensions

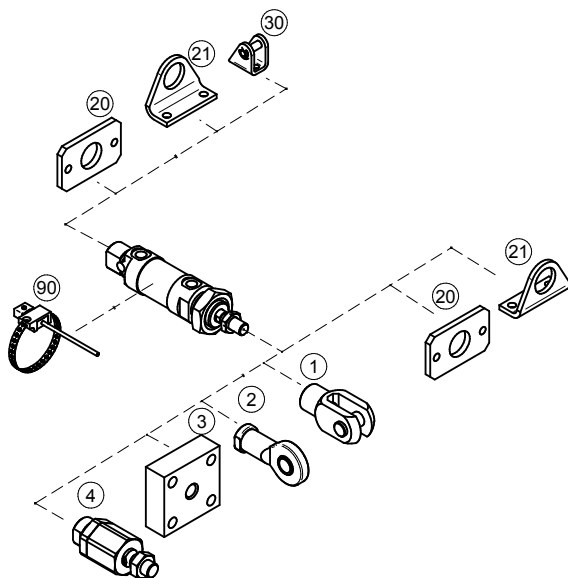


Ø	AM	AY	BE	BF	BY	CD	CY	D	D1	DY	EE	EW	F	KK	L	LB	PL	SW	WF	XC	Y
12	16	3	M16x1.5	15	5	6	3	22	6	10	M5	12	8	M6	10	4	5	24	20	75	25
12*	16	3	M16x1.5	15	5	6	3	22	6	10	M5	12	8	M6	10	4	5	24	20	80	25
12M	16	3	M16x1.5	15	5	6	3	22	6	10	M5	12	8	M6	10	4	5	24	20	80	25
12M*	16	3	M16x1.5	15	5	6	3	22	6	10	M5	12	8	M6	10	4	5	24	20	85	25
16	16	3	M16x1.5	15	5	6	3	25	6	10	M5	12	8	M6	11	5	5	24	20	82	25
16M	16	3	M16x1.5	15	5	6	3	25	6	10	M5	12	8	M6	11	5	5	24	20	87	25
20	20	4	M22x1.5	20	7	8	6	27.5	8	13	G1/8"	16	10	M8	12	3	9.5	34	24.5	95	34
25	22	4	M22x1.5	20	9	8	6	32	10	17	G1/8"	16	10	M10x1.25	12	4	10	34	25.5	104	35

Notice: M after piston diameter size means cylinder with magnetic piston.

Notice *) Values are valid for type 11006 with spring extended piston rod

Mounting accessories



Mounting accessories	... see page
1 Piston rod clevis	... 4-2
2 Piston rod eye	... 4-3
3 Flanged piston rod coupling	... 4-2
4 Self-aligning piston rod coupling	... 4-3
20 Flange mounting	... 4-7
21 Foot mounting	... 4-5
30 Swivel flange	... 4-5
90 Prox. switch	... 3-2, 3-4