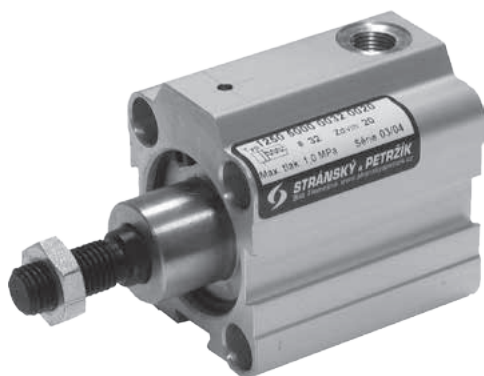


SINGLE ACTING PNEUMATIC CYLINDERS SHORT STROKE



Pneumatic cylinder may be used, when small mounting dimensions are required. There is no cushioning at end of stroke.

Working pressure	0.6 MPa
Min. pressure	0.15 MPa
Max. pressure	1.0 MPa
Temp. range	-20°C to +80°C
Working medium	modified compressed air

Piston diameter [mm]	20	25	32	40	50	63	80	100	160
Thrust at 0.6 MPa [N]*	188	295	482	754	1178	1870	3015	4713	12064
Return force at 0.6 MPa [N]*	158	248	415	662	1025	1717	2720	4484	11309
Spring restoring force [N]	15	16	24	27	46	46	124	124	402
Connection	M5	G1/8"	G1/8"	G1/8"	G1/8"	G1/8"	G1/4"	G1/4"	G3/8"
Max. stroke [mm]	25	25	25	25	25	25	25	25	50
Weight 0 mm stroke [kg]	0.05	0.08	0.16	0.29	0.43	0.60	1.10	1.80	8.20
Weight add. per 1 mm stroke [kg]	0.0014	0.0015	0.0040	0.0060	0.0080	0.0100	0.0160	0.0200	0.0600

*) Cylinder will make out either thrust or return force, accordingly to the type (spring return / extend).

Order codes

12505 10 00 050 0010

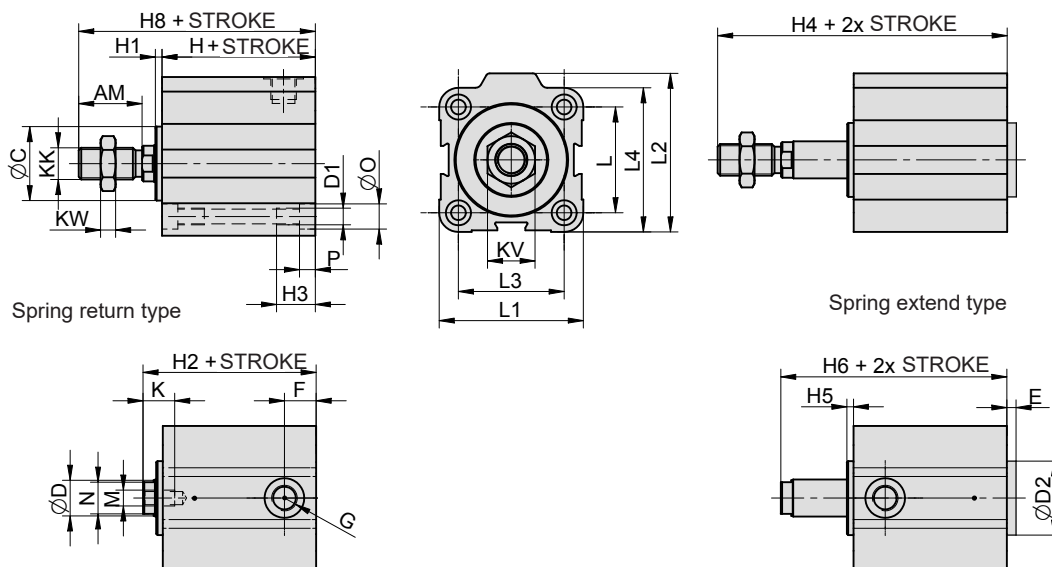
Type		Equipment		Options		Piston diameter		Stroke / Repair kit	
12505	short stroke, single acting, spring return	00	w/o magnet, external thread	00	without options	020	20 mm	xxxx	mm of stroke e.g.: 0010 = stroke 10 mm
12506	short stroke, single acting, spring extend	01	w/o magnet, internal thread	10	Viton® piston rod sealing	025	25 mm		
		10	with magnet, external thread	14	1.4301 stainless steel piston rod	032	32 mm		
		11	with magnet, internal thread			040	40 mm	9999	repair kit
						050	50 mm		
						063	63 mm		
						080	80 mm		
						100	100 mm		
						160	160 mm		

For more options regarding materials or dimensions, please contact our technical dept.

Construction / materials

- caps: anodized dural
- body: drawn anodized dural profile, piston diameter 160: aluminium casting
- piston rod: grounded round steel bar CK45 with hard chrome plated surface

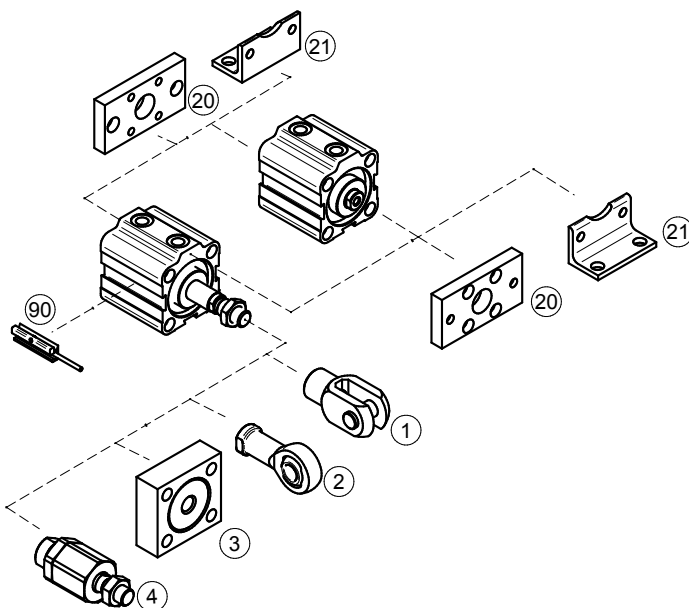
Dimensions



∅	AM	C	D	D1	D2	E	F	G	H	H1	H2	H3	H4	H5	H6	H8	K	KK	KV	KW	L	L1	L2	L3	L4	M	N	O	P
20	20	12	8	M5	12	16	9	M5	23.5	16	44.5	15	51	2.5	31	64.5	8	M8	13	6	22	32	35	22	32	M5	7	7	5
20M	20	12	8	M5	12	16	9	M5	41.5	16	62.5	15	69	2.5	49	82.5	8	M8	13	6	22	32	35	22	32	M5	7	7	5
25	22	17	10	M5	17	12	10	G1/8"	26.5	11	42.5	15	56	2.5	34	64.5	8	M10x1.25	17	6	28	38	45	26	39	M5	8	8	5
25M	22	17	10	M5	17	12	10	G1/8"	34.5	11	50.5	15	64	2.5	42	72.5	8	M10x1.25	17	6	28	38	45	26	39	M5	8	8	5
32	22	21	12	M6	21	12.5	11	G1/8"	35	12.5	52.5	18	64.5	2.5	42.5	74.5	12	M10x1.25	17	6	36	45	54	32	48	M6	10	9.5	6
32M	22	21	12	M6	21	12.5	11	G1/8"	45.5	15.5	63	18	75	2.5	53	85	12	M10x1.25	17	6	36	45	54	32	48	M6	10	9.5	6
40	24	28	14	M6	28	11	12	G1/8"	44	10.5	59.5	18	75.5	2.5	51.5	83.5	12	M12x1.25	19	10	40	55	60	40	55	M6	12	9.5	6
50	32	36	18	M8	36	12	13	G1/8"	46	12	64	24	86.5	2.5	54.5	96	14	M16x1.5	24	8	50	65	73	50	65	M8	16	11	8
63	32	48	18	M10	48	7	14.5	G1/8"	46	7	59	24.5	87.5	3.5	55.5	91	14	M16x1.5	24	8	62	80	88	62	80	M8	16	14	8.5
63M	32	48	18	M10	48	7	14.5	G1/8"	50	7	63	24.5	91.5	3.5	59.5	95	14	M16x1.5	24	8	62	80	88	62	80	M8	16	14	8.5
80	43	54	22	M10	54	8.5	16.5	G1/4"	50	8.5	64.5	24.5	102.5	3.5	59.5	107.5	17	M20x1.5	30	9	82	100	110	82	100	M10	19	14	8.5
80M	43	54	22	M10	54	8.5	16.5	G1/4"	57	8.5	71.5	24.5	109.5	3.5	66.5	114.5	17	M20x1.5	30	9	82	100	110	82	100	M10	19	14	8.5
100	43	60	22	M12	60	7	20	G1/4"	57	7	70	29	112	6	69	113	20	M20x1.5	30	9	103	124	134	103	124	M12	19	17	11
100M	43	60	22	M12	60	7	20	G1/4"	61	7	74	29	116	6	73	117	20	M20x1.5	30	9	103	124	134	103	124	M12	19	17	11
160	72	110	40	M20	-	-	22.5	G3/8"	96	-	113	45	-	-	-	185	25	M36x2	50	18	154	200	210	154	200	M16	36	26	21

Notice: M after piston diameter size means cylinder with magnetic piston.

Mounting accessories



Mounting accessories	... see page
1 Piston rod clevis	... 4-2
2 Piston rod eye	... 4-3
3 Flanged piston rod coupling	... 4-2
4 Self-aligning piston rod coupling	... 4-3
20 Flange mounting	... 4-6
21 Foot mounting	... 4-5
90 Prox. switch	... 3-2, 3-4