

# PNEUMATIC THREE JAWS PARALLEL GRIPPERS SERIES MCHG2



Pneumatic grippers are used for accurate object handling in automated operation. Three jaws grippers are used for handling with rotary objects. Wide size range warrants use for small as well as for heavy objects. Grippers are delivered with magnet as option.

For more information, please visit our web page on [www.sappv.cz](http://www.sappv.cz).

Working pressure	0.5 MPa
Min. pressure	0.2 MPa pro Ø16 and 25 0.1 MPa for Ø32 and more
Max. pressure	0,6 MPa
Temp. range	-10°C to +60°C
Working medium	modified compressed air

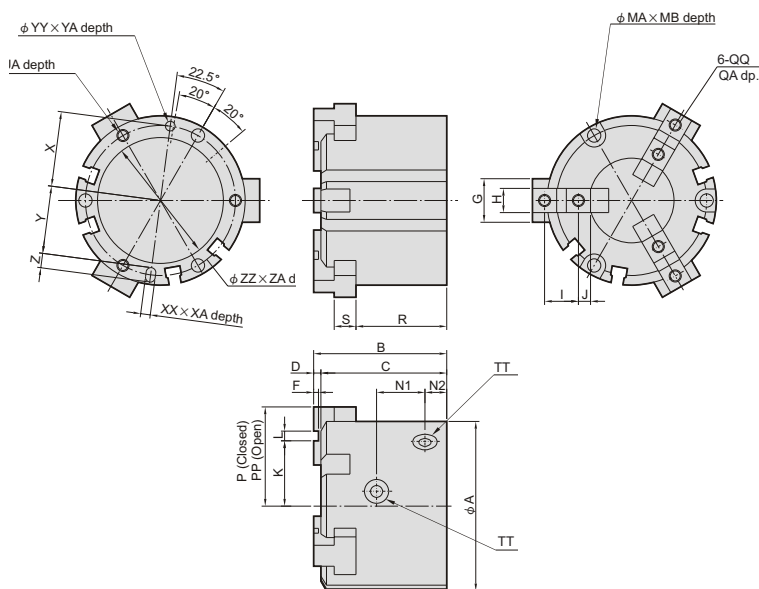
Piston diameter [mm]	16	20	25	32	40	50	63	80	100	125
Clamping force at 0.5 MPa [N] closed / opened*	14 / 16	25 / 28	42 / 47	74 / 82	118 / 130	187 / 204	335 / 359	500 / 525	750 / 780	1270 / 1320
Arm stroke [mm]	4	4	6	8	8	12	16	20	24	32
Connection	M3	M5	M5	M5	M5	M5	M5	G1/8"	G1/4"	G3/8"
Max. frequency of clamping [no. of cycles per min.]	120			60			30			
Repeatability [mm]	± 0.01									

\*) For arm length L=20 mm for Ø16 to 25, 30 mm for Ø32 to 63, 50 mm for Ø80 to 125

## Order codes

### P MCHG2 16 M

Gripper type	Piston diameter	Magnet	
		M	with magnet
MCHG2 three jaws parallel	16	16 mm	
	20	20 mm	
	25	25 mm	
	32	32 mm	
	40	40 mm	
	50	50 mm	
	63	63 mm	
	125	125 mm	



## Dimensions

Ø	A	B	C	D	F	G	H <sub>H9</sub>	I	J	K	L <sub>H9</sub>	MA	MB	MM	MR	N1	N2	P	PP	QA	QQ	R	S	TT	UA	UU	X	XA	XX <sub>H9</sub>	Y	YY <sub>H9</sub>	Z	ZA	ZZ <sub>H9</sub>
16	30	35	32	3	2	8	5	6	2	11	2	6.5	8	3.4	25	11	7	15	17	5	M3	25	4	M3	4.5	M3	12.5	2	2	11	2	3	1.5	17
20	36	38	35	3	2	10	6	7	2.5	13	2	6.5	9.5	3.4	29	13	7	18	20	6	M3	27	5	M5	6	M3	14.5	2	2	13	2	3	1.5	21
25	42	40	37	3	2	12	6	8	3	16	2	8	10	4.5	34	15	7	21	24	6	M3	28	5	M5	6	M4	17	3	2	14.5	3	5	1.5	26
32	52	44	41	3	2	14	8	11	4.5	21	2	8	9	4.5	44	16	8	28	32	8	M4	30.5	6	M5	6	M4	22	3	3	19.5	3	5	2	34
40	62	47	44	3	2	16	8	12	4.5	23	3	9.5	9	5.5	53	17	9	31	35	8	M4	32	7	M5	7.5	M5	26.5	4	4	23.5	4	6	2	42
50	70	55	52	3	2	18	10	14	5	27	4	9.5	12	5.5	62	20	9	35	41	10	M5	37.5	9	M5	10	M5	31	4	4	28	4	6	2	52
63	86	66	62	4	3	24	12	17	5.5	34	6	11	14	6.6	76	22	12	43	51	10	M5	44	11	M5	9	M6	38	5	5	34.5	5	7	2.5	65
80	106	82	77	5	4	28	14	20	6	44	8	11	19	6.6	95	27	13.5	53.5	63.5	12	M6	56	12	G1/8"	12	M6	47.5	6	6	43.5	6	8	3	82
100	134	96	90	6	4	34	18	23	7.5	42.5	8	14	21	9	118	30.6	18	66	78	16	M8	63	15	G1/4"	16	M8	59	6	8	54	8	10	4	102
125	166	122	114	8	6	40	22	31	10.5	50	10	17.5	34	11	148	38	23.5	82	98	20	M10	84	18	G3/8"	20	M10	74	8	10	68	10	12	6	130