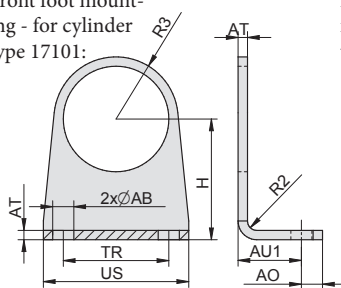


FOOT MOUNTING FOR ANTI-CORROSIVE - HYGIENIC CLEAN CYLINDERS

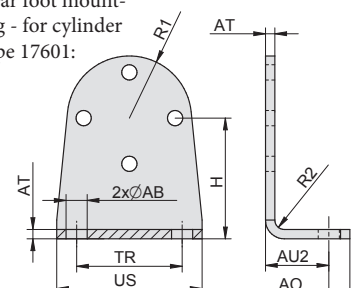
Supply contains (material):
1 pc foot (AISI 304)
1 pc nut or 4 pcs screws
-according to foot type (A4)



Front foot mounting - for cylinder type 17101:



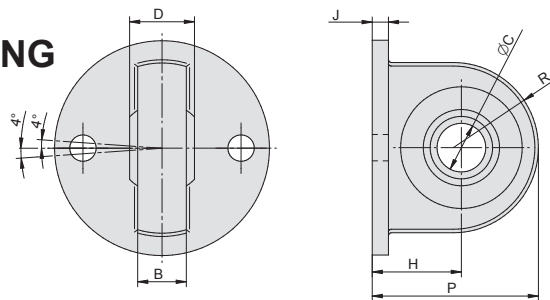
Rear foot mounting - for cylinder type 17601:



Piston ∅	AB	AO	AU1	AU2	AT	H	R1	R2	R3	TR	US	Weight	Order codes (front foot mounting for cyl. type 17101)	Order codes (rear foot mounting for cyl. type 17601)
32	7	9	28.5	20.5	3	33	17.5	3	17.5	32	45	0.075	2171 2100 0032 0000	2176 2100 0032 0000
40	9	9	32	22	3	38	21.5	3	21.5	36	52	0.09	2171 2100 0040 0000	2176 2100 0040 0000
50	9	9	36	27	4	47	26.5	4	25	45	62	0.17	2171 2100 0050 0000	2176 2100 0050 0000
63	9	9	36	26	4	52	33	4	27	50	72	0.23	2171 2100 0063 0000	2176 2100 0063 0000
80	12	15	38.5	35.5	5	65	42.5	5	31	63	90	0.45	2171 2100 0080 0000	2176 2100 0080 0000
100	12	15	38.5	35.5	5	75	50	5	40	83	110	0.64	2171 2100 0100 0000	2176 2100 0100 0000

SWIVEL FLANGE WITH SPHERICAL BEARING FOR ANTI-CORROSIVE - HYGIENIC CLEAN CYLINDERS

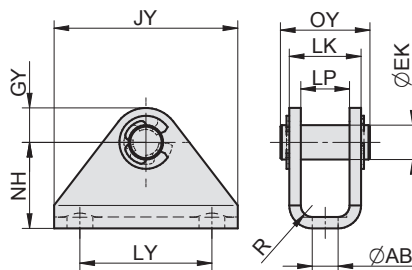
Supply contains (material):
1 pc flange (body: AISI 304,
bearing ring: 1.4571 with
PTFE foil, ball: 1.4401)
2 pcs screws (A4)



Piston ∅	B	C	D	H	J	P	R	Weight	Order codes
32	10.5	10	14	18.5	3.5	33.5	15	0.09	2176 3200 0032 0000
40	12	12	16	19	3.5	37	18	0.14	2176 3200 0040 0000
50	12	12	16	22	5	44	22	0.22	2176 3200 0050 0000
63	15	16	21	26	5	48	22	0.34	2176 3200 0063 0000
80	15	16	21	30.5	8	55.5	25	0.6	2176 3200 0080 0000
100	18	20	25	35	8	65	30	1.0	2176 3200 0100 0000

NARROW SWIVEL FLANGE FOR ANTI-CORROSIVE - HYGIENIC CLEAN CYLINDERS

Supply contains (material):
1 pc flange (AISI 304)
1 pc pivot pin (AISI 304)
2 pcs retaining rings (A2)



Piston ∅	AB	EK	GY	JY	LK	LP	LY	NH	OY	R	Weight	Order codes
32	7	10	9	45	21	15	30	24	26	3	0.08	2176 3400 0032 0000
40	9	12	10	55	23	17	38	27	29	3	0.09	2176 3400 0040 0000
50	9	12	10	64	25	17	46	30	31	4	0.18	2176 3400 0050 0000
63	12	16	13	79	30	22	58	36	36	4	0.27	2176 3400 0063 0000
80	14	16	13	94	32	22	70	40	38	5	0.41	2176 3400 0080 0000
100	14	20	15	112	36	26	88	45	42	5	0.47	2176 3400 0100 0000