

FOOT MOUNTING FOR RODLESS CYLINDER

• SERIES S1, S5 AND VL1

ONLY FOR CYLINDERS WITH STROKE UP TO 400 MM

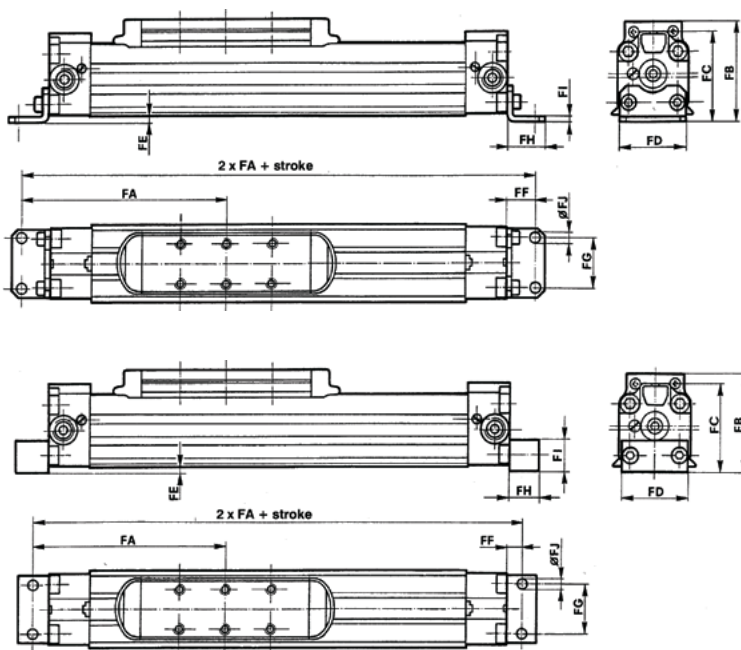
Foot mounting for cylinder
Ø 25 and 32 mm



Foot mounting for cylinder
Ø 40 and 50 mm



Supply contains:
1 pc foot mounting
2 pcs screw



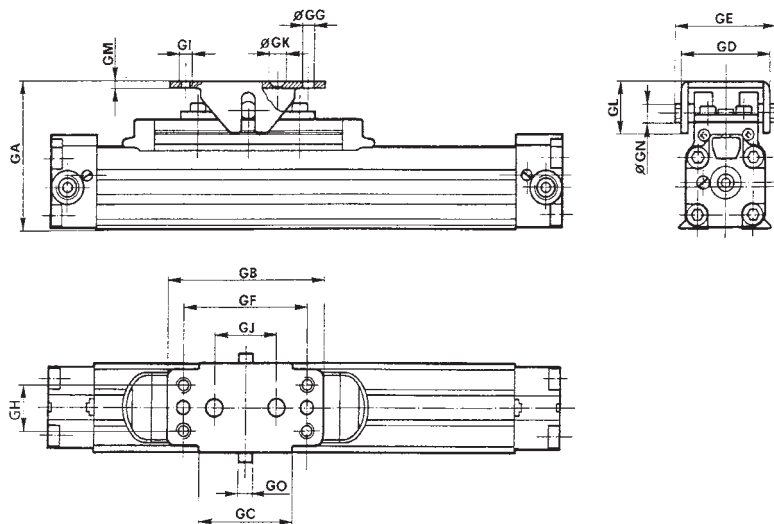
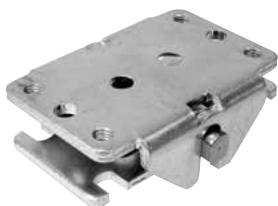
Piston Ø	FA	FB for series			FC	FD	FE	FF	FG	FH	FI	FJ	Weight	Order codes
		S1	S5	VL1										
25	116	58.1	72.3	74.8	48.8	40	0.5	16	27	22	2.5	5.5	0.04	NSF-13025
32	143.5	68.7	85	85	59.2	48	2.5	18.5	36	26	3	6.5	0.06	NSF-13032
40	162.5	86.5	107.3	106.7	74.9	63	0.7	12.5	30	25	25	9	0.12	NSF-13040
50	189.5	104.3	125	127.5	92.4	79	1.3	12.5	40	25	30	9.3	0.17	NSF-13050

Notice: foot mounting is only recommended for strokes up to 400 mm

FLOATING FLANGE FOR RODLESS CYLINDER

• SERIES S1

Supply contains:
1 pc floating flange
4 pcs screws



Piston Ø	GA	GB	GC	GD	GE	GF	GG	GH	GI	GJ	GK	GL	GM	GN	GO	Weight	Order codes
25	73.5±2.5	60	40	44.5±2.5	50	50	5.5	25	M5	16	5.5	20.5	3	8	6.15	0.14	NSF-24025
32	89±4	100	60	56±4	64	80	5.5	30	M6	40	6.5	30	4	12	8.2	0.36	NSF-24032
40	108.5±4	100	60	56±4	64	80	5.5	30	M6	40	6.5	30	4	12	8.2	0.36	NSF-24032