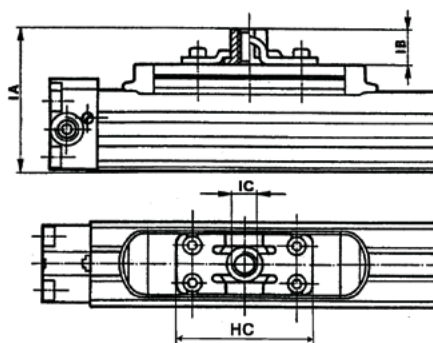


FEMALE THREADED CONNECTION FOR RODLESS CYLINDER

• SERIES S1

Supply contains:
1 pc connection
4 pcs screws

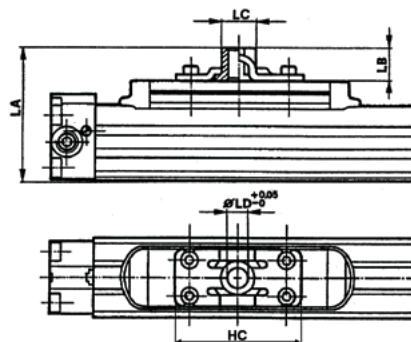


Piston Ø	IA	IB	IC	HC	Weight	Order codes
25	75.6	18	M12	64	0.08	NSF-26025
32	87.2	21	M14	84	0.16	NSF-26032
40	106.8	21	M14	84	0.16	NSF-26032

FEMALE CONNECTION WITHOUT THREAD FOR RODLESS CYLINDER

• SERIES S1

Supply contains:
1 pc connection
4 pcs screws

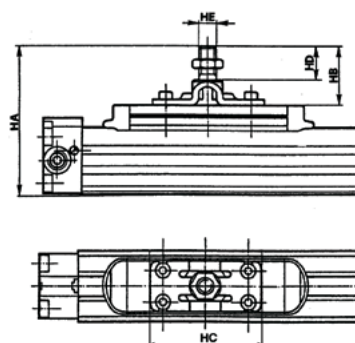


Piston Ø	LA	LB	LC	LD	HC	Weight	Order codes
25	70.6	13	18	10	64	0.07	NSF-28025
32	84.3	17.2	22	12	84	0.15	NSF-28032
40	103	17.2	22	12	84	0.15	NSF-28032

MALE THREADED PIN FOR RODLESS CYLINDER

• SERIES S1

Supply contains:
1 pc connection
4 pcs screws
1 pc nut



Piston Ø	HA	HB	HC	HD	HE	Weight	Order codes
25	91.1	33.5	64	22	M12	0.11	NSF-27025
32	107.7	41.5	84	24.3	M14	0.26	NSF-27032
40	127.3	41.5	84	24.3	M14	0.26	NSF-27032