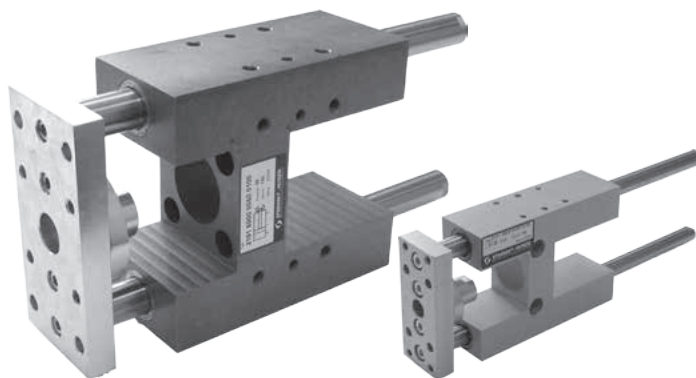


GUIDE UNIT „H“ WITH BALL BEARINGS FOR CYLINDER

- ISO 15552, VDMA 24562, NF E 49003.1
- DIN ISO 6431, VDMA 24562, NF E 49003.1
- COMPACT
- DIN ISO 6432

Supply contains:

- 1 pc guide body
- 1 pc flange
- 2 pcs guide rods
- 1 pc flange for fix to the cylinder



Guide unit can be mounted to any pneumatic cylinder to VDMA 24562 (there is necessary to use option 13 for cylinders with magnetic piston dia. 32 to 63 mm), ISO 15552, compact cylinders (only for cylinders with internal thread on piston rod) or DIN ISO 6432. Guide secures piston rod against rotation, high torque loads and radial forces. Guide rods are mounted in ball bearings without clearance.

Order codes

2101 500 00 050 0100

Guide unit H	
2101	for cylinder DIN ISO 6431, VDMA 24562, NF E 49003.1
2102	for cylinder ISO 15552
2110	for cylinder DIN ISO 6432
2120*	for compact cylinder*

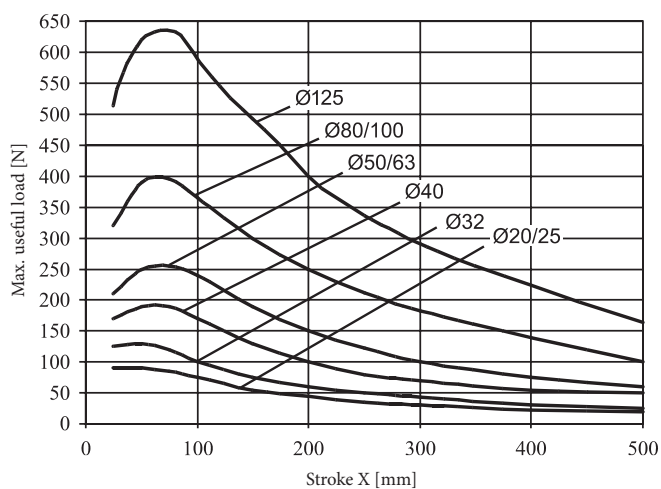
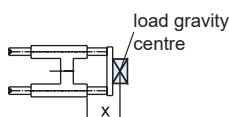
Options	
00	without options

Piston diameter	
020	20 mm
025	25 mm
032	32 mm
040	40 mm
050	50 mm
063	63 mm
080	80 mm
100	100 mm
125	125 mm

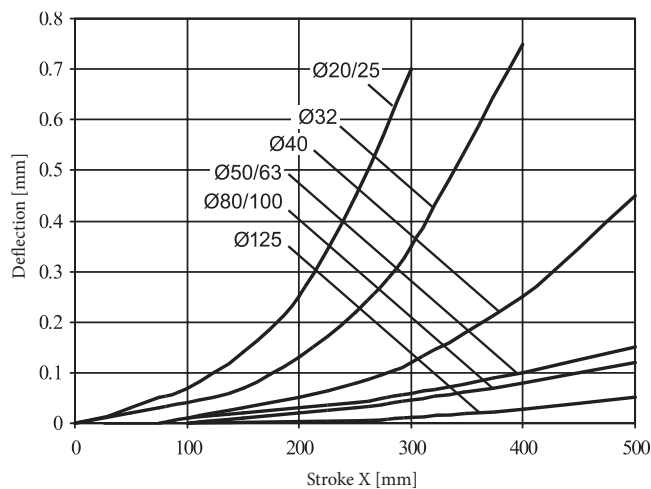
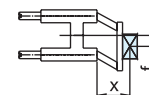
Stroke	
xxxx	mm of stroke e.g. 0100 = stroke 100 mm

*) Cylinders with internal thread on piston rod only

Useful load



Deflection caused by load of 10 N



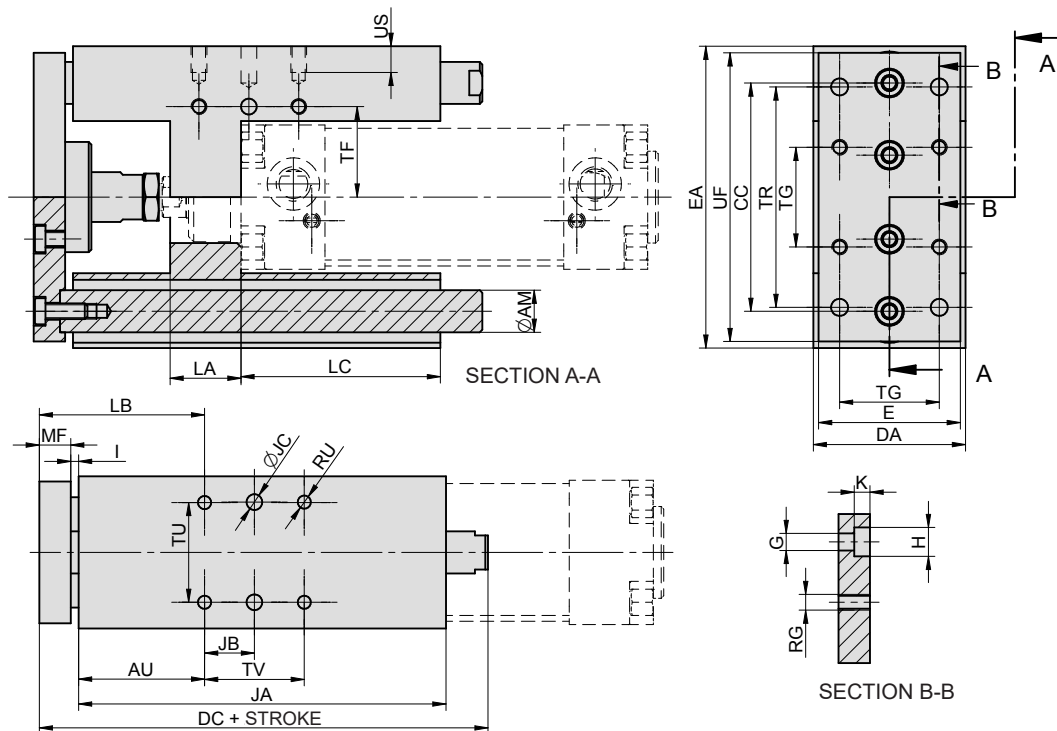
Construction / materials

- guide bars: grounded hardened steel bar Cs-53 with hard chrome plated surface
- guide body: aluminium casting
- flange and nut: zinc plated steel
- bearings: covered linear ball bearings

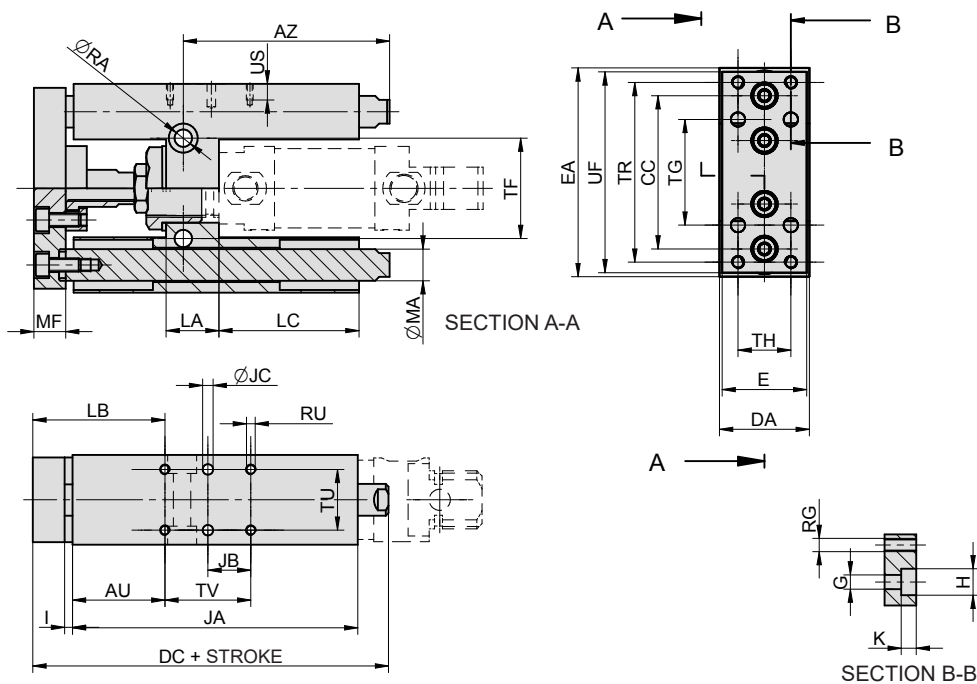
Piston diameter [mm]	20	25	32	40	50	63	80	100	125
Weight 0 mm stroke [kg]	0.86	0.86	1.57	2.54	4.08	5.87	10.46	14.13	21.78
Weight add. per 1 mm stroke [kg]	0.002	0.002	0.002	0.003	0.005	0.005	0.008	0.008	0.011

Dimensions

For cylinder to ISO 1552, DIN ISO 6431, VDMA 24562, NF E 49003.1 and compact (piston diameter 32 to 125 mm)



For cylinder to DIN ISO 6432 (piston diameter 20 and 25 mm)



Ø	AU	AZ	CC	DA	DC	E	EA	G	H	I	JA	JB	JC	K	LA	LB	LC	MA	MF	RA	RG	RU	TR	TF	TG	TH	TU	TV	UF	US
20/25	35	66.5	58	34	135	32	79	5.4	10	3	108	16.25	4	5.7	20	50-60	53	12	12	6.6	M5	M4	68	38	40	20	23	32.5	76	8
32	44	-	74	50	152	45	97	6.5	11	3	125	16.25	6	6	23	59-69	65	12	12	-	M6	M6	78	30.5	32.5	-	32.5	32.5	92	10
40	48	-	87	58	171	54	115	6.5	11	3	140	19	6	6	27	63-73	76	16	12	-	M6	M6	84	34.5	38	-	38	38	110	10
50	52	-	104	70	182	63	137	9	15	3	150	23.25	6	9	34	70-80	79	20	15	-	M8	M8	100	42.5	46.5	-	46.5	46.5	130	13
63	55.5	-	119	85	218	80	152	9	15	3	182	28.25	6	9	34	73.5-83.5	103	20	15	-	M8	M8	105	50	56.5	-	56.5	56.5	145	13
80	66	-	148	105	256	100	189	11	18	3	215	36	6	11	40	89-99	122	25	20	-	M10	M10	130	65	72	-	72	72	180	16
100	67.5	-	172	130	261	120	213	11	18	3	220	44.5	6	11	45	90.5-100.5	122	25	20	-	M10	M10	140	75	89	-	89	89	200	16
125	65	-	202	150	285	140	250	13	20	3	230	55	8	13	52	93-103	108	30	25	-	M12	M12	170	90	110	-	110	110	240	20