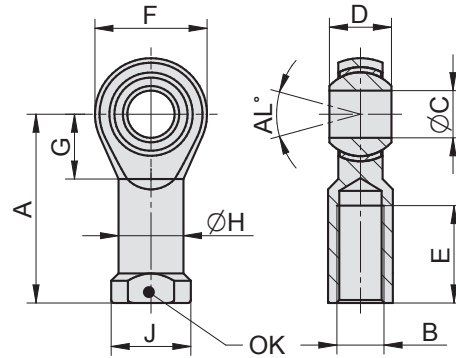


PISTON ROD EYE

Supply contains:
1 pc eye

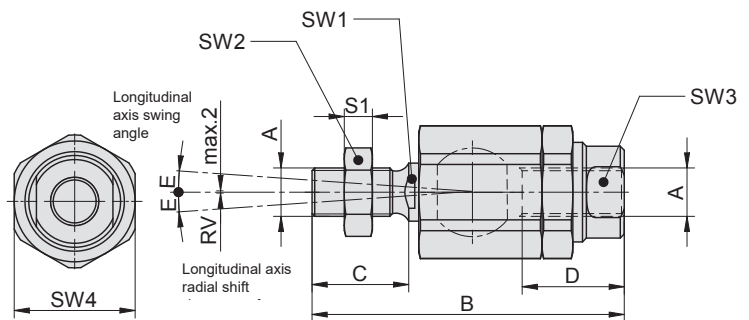


Piston Ø*	A	B	C	D	E	F	G	H	J*	OK	AL	Weight	Order codes
12 / 16	31	M6	6	9	12	18	9	10	13	11	35	0.02	2101 0200 0012 0000
20	36	M8	8	12	14	24	13	13	16	13	30	0.01	2101 0200 0020 0000
20	36	M8	8	8	14	26	13	13	16	14	30	0.02	2110 0200 0020 0000
25	42	M10x1.25	10	9	16	28	15	14	16	14	24	0.06	2110 0200 0025 0000
32	43	M10x1.25	10	14	20	30	15	15	19	16	24	0.04	2101 0200 0025 0000
40	50	M12x1.25	12	16	22	34	17	17	21	18	22	0.10	2101 0200 0040 0000
50 / 63	64	M16x1.5	16	21	28	40	22	21	27	22	15	0.14	2101 0200 0050 0000
80 / 100	77	M20x1.5	20	25	33	51	27	28	34	30	18	0.38	2101 0200 0080 0000
125	110	M27x2	30	37	42	70	36	38	50	41	12	1.40	2101 0200 0125 0000
160 / 200	125	M36x2	35	43	56	100	44	52	60	55	16	1.74	2101 0200 0160 0000
250	142	M42x2	40	49	60	110	46	60	73	65	14	3.32	2101 0200 0250 0000
320	160	M48x2	50	60	68	128	59	65	75	66	12	5.50	2101 0200 0320 0000

*) Please check dimensions of thread on cylinder and accessories for piston rod, before you order it (for example: compact cylinder piston dia. 40 mm has thread M10x1.25 on piston rod, piston rod clevis for cylinder dia. 40 has thread M12x1.25, so it is necessary to order piston rod clevis for cylinder dia. 25/32, where is thread M10x1.25).

SELF-ALIGNING PISTON ROD COUPLING

Supply contains:
1 pc coupling



Piston Ø*	A*	B	C	D	E	S1	SW1	SW2	SW3	SW4	RV	Weight	Order codes
8 / 10	M4	33	8	13	4	2.2	3.2	7	7	11	0.5	0.015	2110 0400 0008 0000
12 / 16	M6	37	12	14	4	3.2	5	10	7	13	0.5	0.02	2110 0400 0012 0000
20	M8	42.5	15	18	4	4	7	13	10	17	0.5	0.06	2110 0400 0020 0000
25 / 32	M10x1.25	69.5	20	26	5	6	12	17	19	30	0.7	0.21	2110 0400 0025 0000
40	M12x1.25	74.5	24	26	5	7	12	19	19	30	0.7	0.22	2110 0400 0040 0000
50 / 63	M16x1.5	103	32	34	5	8	19	24	30	41	1.0	0.65	2110 0400 0050 0000
80 / 100	M20x1.5	120	40	42	5	9	19	30	30	41	1.0	0.72	2110 0400 0080 0000
125	M27x2	157	54	48	5	13	24	41	32	55	2.0	1.78	2110 0400 0125 0000
160 / 200	M36x2	251	72	80	4	18	32	50	50	75	2.0	5.2	2110 0400 0160 0000
250	M42x2	271	82	88	4	14	40	65	60	85	2.0	8.7	2110 0400 0250 0000

*) Please check dimensions of thread on cylinder and accessories for piston rod, before you order it (for example: compact cylinder piston dia. 40 mm has thread M10x1.25 on piston rod, piston rod clevis for cylinder dia. 40 has thread M12x1.25, so it is necessary to order piston rod clevis for cylinder dia. 25/32, where is thread M10x1.25).