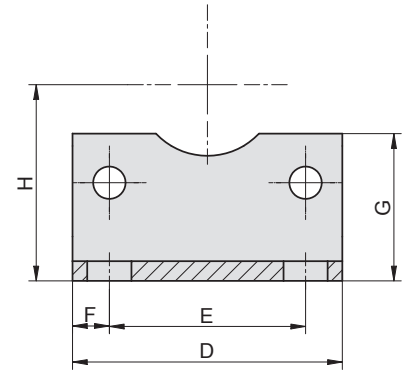
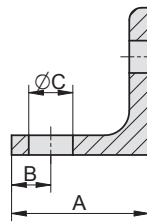
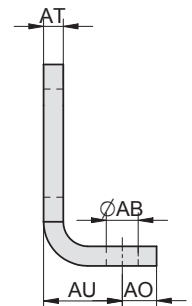
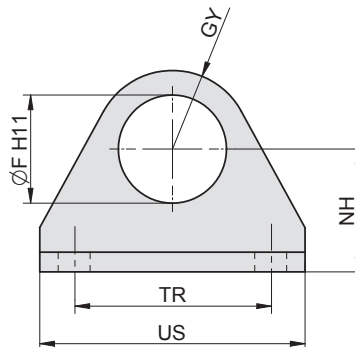


FOOT MOUNTING FOR CYLINDER
• SHORT STROKE

 Supply contains:
 1 pc foot mounting
 2 pcs screws


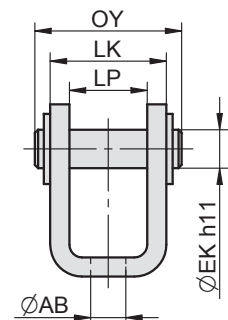
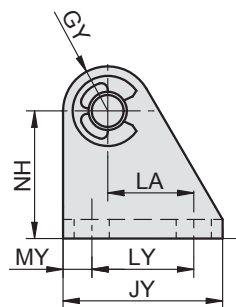
Piston Ø	A	B	C	D	E	F	G	H	Weight	Order codes
20	22	6	6.6	32	22	5	25	27	0.04	2125 2100 0020 0000
25	22	6	6.6	39	28	5.5	25	29	0.04	2125 2100 0025 0000
32	26	8	6.6	48	36	6	30	34	0.08	2125 2100 0032 0000
40	28	8	9	55	40	7.5	30	40	0.08	2125 2100 0040 0000
50	32	8	9	65	50	7.5	40	47	0.14	2125 2100 0050 0000
63	38	12	9	80	62	9	45	56	0.22	2125 2100 0063 0000
80	42	12	12	100	82	9	55	68	0.40	2125 2100 0080 0000
100	45	12	14	124	103	10.5	60	81	0.68	2125 2100 0100 0000

FOOT MOUNTING FOR CYLINDER
• DIN ISO 6432

 Supply contains:
 1 pc foot mounting


Piston Ø	AB	AO	AT	AU	F	GY	NH	TR	US	Weight	Order codes
12 / 16	5.5	6	3	13	16	12	20	32	44	0.04	2110 2100 0012 0000
20 / 25	6.5	7	4	16	22	16	25	40	54	0.10	2110 2100 0020 0000

CLEVIS FOOT MOUNTING FOR CYLINDER
• DIN ISO 6432

 Supply contains:
 1 pc clevis
 1 pc pivot pin
 2 pcs retaining rings


Piston Ø	AB	EK	GY	JY	LA	LK	LP	LY	MY	NH	OY	Weight	Order codes
12 / 16	5.5	6	7	25	13.5	18.2	12.2	16	4.5	20	23	0.02	2110 3000 0012 0000
20 / 25	6.5	8	10	32	16	22.2	16.2	20	6	25	30	0.02	2110 3000 0020 0000