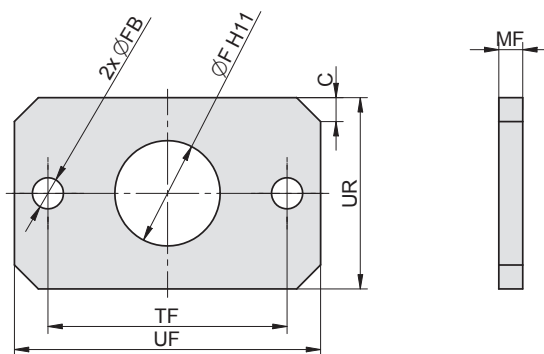
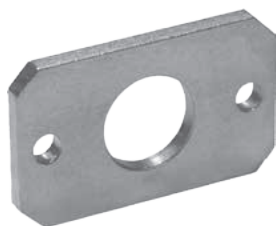


## FLANGE MOUNTING FOR CYLINDER

• DIN ISO 6432

Supply contains:  
1 pc flange mounting

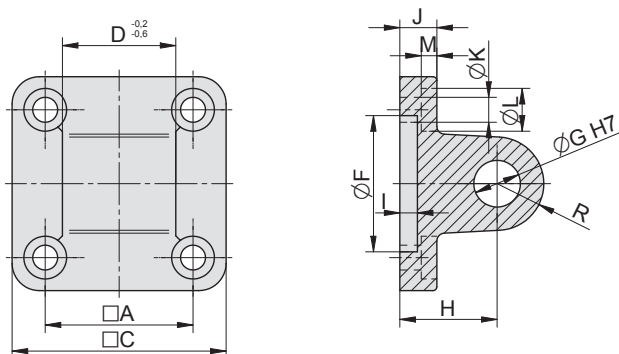


Piston Ø	C	F	FB	MF	TF	UF	UR	Weight	Order codes
12 / 16	5	16	5.5	4	40	52	28	0.04	2110 2000 0012 0000
20 / 25	5	22	6.5	5	50	64	38	0.12	2110 2000 0020 0000

## SWIVEL FLANGE FOR CYLINDER

• ISO 15552, VDMA 24562, NF E 49003.1  
• DIN ISO 6431, VDMA 24562, NF E 49003.1  
• COMPACT

Supply contains:  
1 pc swivel flange  
4 pcs screws



Piston Ø	A	C	D	F	G	H	I	J	K	L	M	R	Weight	Order codes
32	32.5	48	26	30	10	22	4.5	9	6.4	11	3.5	10	0.08	2101 3300 0032 0000
40	38	55	28	35	12	25	4.5	9.5	6.4	11	4	12	0.11	2101 3300 0040 0000
50	46.5	65	32	40	12	27	5	11	9	15	4.5	12	0.18	2101 3300 0050 0000
63	56.5	75	40	45	16	32	5	11	9	15	4.5	16	0.30	2101 3300 0063 0000
80	72	95	50	45	16	36	5	15	11	18	5	16	1.30	2101 3300 0080 0000
100	89	115	60	55	20	41	5	15	11	18	5	20	2.20	2101 3300 0100 0000
125	110	140	70	60	25	50	7	19	14	20	9	25	3.90	2101 3300 0125 0000
160	140	185	90	65	30	55	7	19	18	26	9	30	7.00	2101 3300 0160 0000
200	175	235	90	75	30	60	7	24	18	26	13	30	12.20	2101 3300 0200 0000
250	220	270	110	90	40	70	12	25	22	34	14	40	15.10	2101 3300 0250 0000
320	270	350	120	110	45	80	12	30	26	46	15	45	33.00	2101 3300 0320 0000
400	350	430	119.5	110	45	90	12	28	26	46	14	53.5	46.50	2101 3300 0400 0000