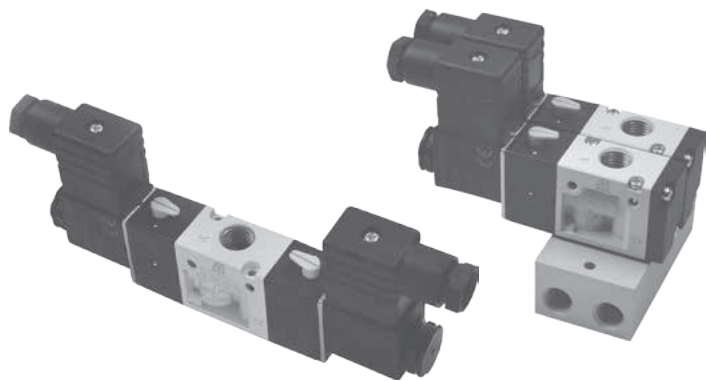


SOLENOID ACTUATED VALVES SERIES MVSC



The valve series, which replaces valves series K. The basic usable features are kept and brings some improvements such as lower wattage, comparable or bigger flow capacity and better accessibility. Valves are solenoid pilot actuated. The product range covers functions 3/2 normally closed, opened and double solenoid. Connector and coil are included in delivery.

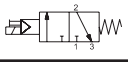
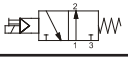
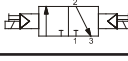
This valve series contains rubber gaskets.

Series	MVSC 220	MVSC 300	MVSC 460
Ports	G1/4"	G3/8"	G1/2"
Flow capacity [Nl/min]	980	1905	2730
Working pressure [MPa]	0.2 to 0.8		
Power input [W, VA]	2.5W for DC voltage, 6/4.9VA for AC voltage (inrush/hold)		
Response time [ms]	30	50	50
Coil voltage tolerance	±10%		
Temperature range [°C]	ambient temperature -5 to +50		
Enclosure	IP65 with sealed and fastened connector		

Order codes

PMVSC 220 3E1C A220

Size	
220	series MVSC 220, thread G1/4"
300	series MVSC 300, thread G3/8"
460	series MVSC 460, thread G1/2"

Function		
3E1C		3/2 normally closed
3E1O		3/2 normally opened
3E2		3/2 bistable (with 2 coils)

Voltage	
D12	12 V DC ± 10%
D24	24 V DC ± 10%
A220	230 V AC ± 10%, 50-60 Hz
A24	24 V AC ± 10%, 50-60 Hz

i Supply contains connector(s).

Order codes of manifolds

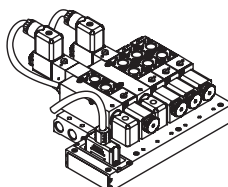
PMVSC C220 - 3B 4

Size	
C220	series MVSC and MVAA 220, thread G1/4"
C300	series MVSC 300, thread G3/8"
C460	series MVSC and MVAA 460, thread G1/2"

Number of positions	
2 to 10	for 2 to 10 valves

It is possible to mount series MVSC and MVAA valves on manifold with predefined number of position. It isn't possible to add another position to created assembly - it could be necessary to replace manifold or create another manifold. If there is possibility that more valves will be needed in future, we recommend to use manifold with more positions and use blocking plates for unused positions. Valves are mounted to manifold directly - no adaptor is necessary. Valves mounted on manifold could be unmounted separately by unscrew of 2 bolts, which are accessible from top side (side with ports 2 and 4 of valves). Each separate coil must be wired with separate electrical cable.

i Manifolds with internal wiring and common 25-pin SUB-D connector are also available. These manifolds are for valves series 220 and 300. Number of stations is 3 to 12 as standard, maximum is 20. Voltage of coils is 24V DC. For more information about these manifolds, please contact our technical department.

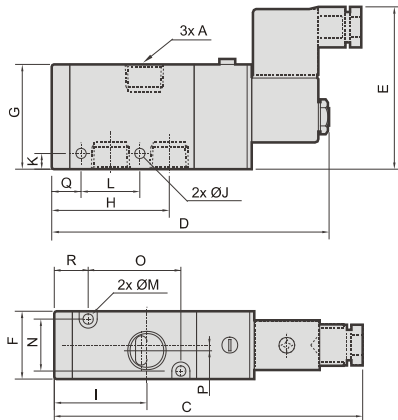


Order codes for blank station plates:

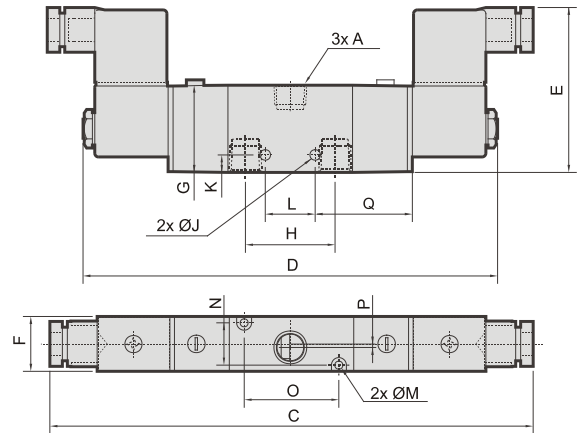
Series	Order codes
220	PMVSC 220 -3P
300	PMVSC 300 -3P
460	PVMSC 460 -3P

Dimensions of valve series MVSC

Type 3/2 NC and NO:



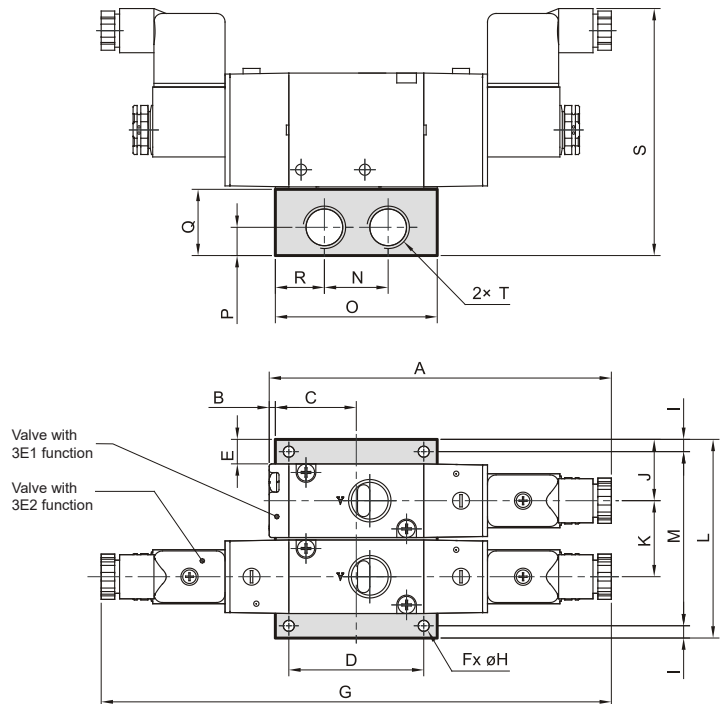
Type 3/2 with 2 coils:



Series	Function	A	C	D	E	F	G	H	I	J	K	L	M	N	O	P	Q	R	Weight [kg]
220	3E1	G1/4"	120	105.5	67	22.3	35	35	26	4.2	26.5	25	3.2	17	25	2	13.5	13.5	0.20
	3E2	G1/4"	188	159	68	22.3	35	18	—	4.2	26.5	25	3.2	17	25	2	30.5	—	0.30
300	3E1	G3/8"	139.5	126.5	73	30	46.4	52	41	4.5	9	26	4.5	23	41	0	13	15	0.35
	3E2	G3/8"	208	182	73	30	46.4	26	—	4.5	9	26	4.5	23	41	0	50	—	0.44
460	3E1	G1/2"	146	133	73	30	46.4	56	40.5	4.5	9	29	4.2	23	48	2.3	12.5	15	0.35
	3E2	G1/2"	214	188	73	30	46.4	29	—	4.5	9	29	4.2	23	48	2.3	54.5	—	0.44

Dimensions of manifold assemblies of valves series MVSC and MVAA

Series	Value	Number of positions								
		2	3	4	5	6	7	8	9	10
220	L	77	100	123	146	169	192	215	238	261
	M	65	88	111	134	157	180	203	226	249
	Weight [kg]	0.20	0.26	0.32	0.38	0.44	0.50	0.56	0.63	0.69
300	L	81	112	143	174	205	236	267	298	329
	M	71	102	133	164	195	226	257	288	319
	Weight [kg]	0.31	0.43	0.55	0.66	0.78	0.90	1.02	1.14	1.26
460	L	81	112	143	174	205	236	267	298	329
	M	71	102	133	164	195	226	257	288	319
	Weight [kg]	0.36	0.50	0.65	0.79	0.93	1.07	1.20	1.36	1.50


Spare coils for series 220/300/460

Order codes	Voltage	Power input
PMVSC220-COD12	12V DC	3.1 W
PMVSC220-COD24	24V DC	2.5 W
PMVSC220-COA24	24V 50-60 Hz	5.8 VA
PMVSC220-COA110	110V 50-60 Hz	4.9 VA
PMVSC220-COA220	230V 50-60 Hz	5.0 VA

Series	A	B	C	D	E	F	G	H	I	J	K	N	O	P	Q	R	S	T
220	120	5	21	0	15.5	2	188	4.5	6	27	23	22	42	10	28	10	96	G1/4"
300	139.5	2.5	33	55	10	4	208	4.5	5	25	31	26	66	11.5	27	20	101	G3/8"
460	146	3	36	60	10	4	214	4.5	5	25	31	30	72	15	32	21	106	G1/2"