





This valve is actuated by pressing down the stem at the axis direction.
This valve is not replacement for roller lever valves, which are actuated by rolling the can from the side.

This valve series contains rubber gaskets.

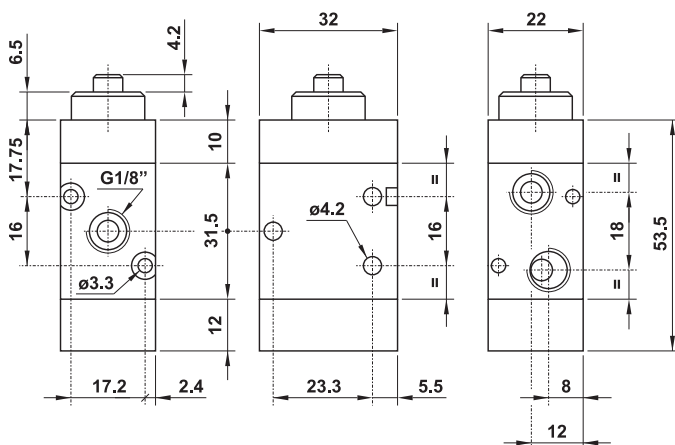
Ports	G1/8"
Flow capacity [Nl/min]	550
Working pressure [MPa]	vacuum to 1.0
Temperature range [°C]	-20 to +60
Actuating force [N]	33
Working medium	modified compressed air
Weight [kg]	0.1 (3/2), 0.13 (5/2)

Order codes

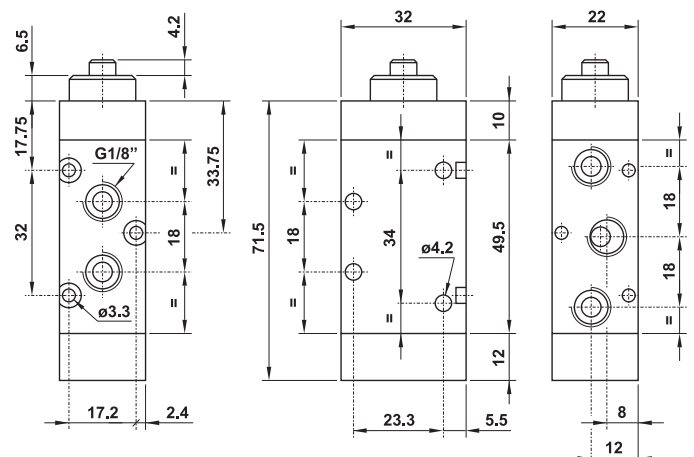
Ports	G1/8"
Valve 3/2 	2532 3090 0400 0007
Valve 5/2 	2552 3090 0400 0004

Dimensions

Valve 3/2



Valve 5/2



Technical data

Materials

body - aluminium alloy
caps - aluminium alloy, technopolymer
spring - stainless steel
seals - NBR
spool - nickel plated aluminium alloy
internal parts - brass

Flow rate

