

PNEUMATICALLY ACTUATED VALVES SERIES MVAA



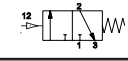
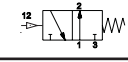
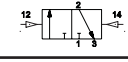
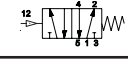
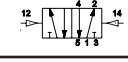
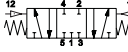
All functions like 3/2 normally close and open, 5/2 monostable and bistable and 5/3 with centre closed position are available.

This valve series contains rubber gaskets.

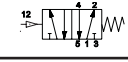

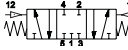
Series	MVAA 220	MVAA 460
Ports	G1/4" (G1/8" for exhaust ports 3, 5 and for pilot)	G1/2" (G1/8" for pilot)
Flow capacity [Nl/min]	1000	2780
Working pressure [MPa]	0 to 0.8	
Pilot pressure [MPa]	0.2 to 0.7	
Weight [kg]	function 3A1: 0.122; 3A2: 0.134; 4A1: 0.106; 4A2: 0.134; 4A2C: 0.179	function 4A1: 0.275; 4A2: 0.338; 4A2C: 0.500
Temperature range [°C]	ambient temperature -5 to +50	

Order codes

PMVAA 220 4A1

Size		Function	
220	series MVAA 220, thread G1/4"	3A1C	 3/2 normally closed
		3A1O	 3/2 normally open
		3A2	 3/2 bistable
		4A1	 5/2 monostable
		4A2	 5/2 bistable
		4A2C	 5/3 centre closed position

PMVAA 460 4A2

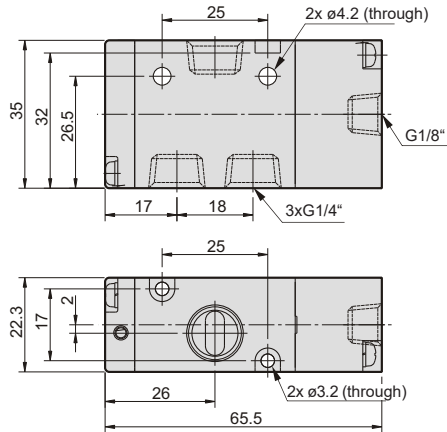
Size		Function	
460	series MVAA 460, thread G1/2"	4A1	 5/2 monostable
		4A2	 5/2 bistable
		4A2C	 5/3 centre closed position



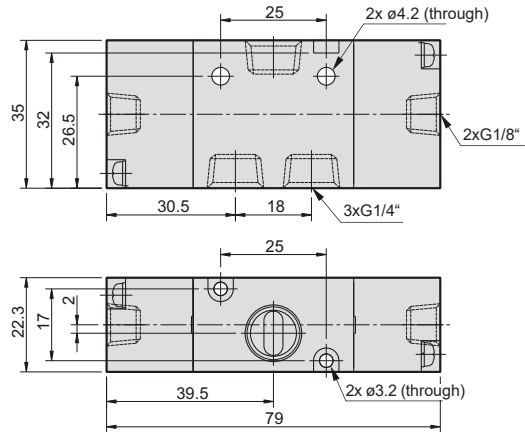
The valves of MVAA series can be mounted on manifold. Then it is possible to use one air supply (which can be through) and common exhausts. Manifold assembly can save space and reduce installation and maintenance costs. The manifolds are the same as for valves of MVSC series. Order codes and dimensions can be found on pages 5-6 and 5-26.

Dimensions

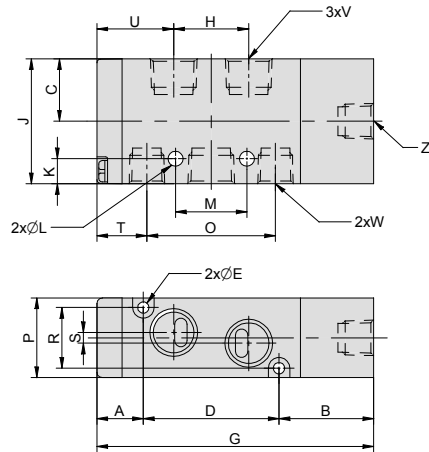
Type MVAA2203A1C and MVAA2203A1O:



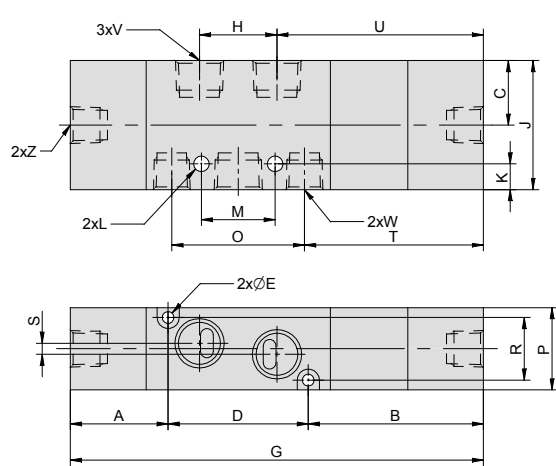
Type MVAA2203A2:



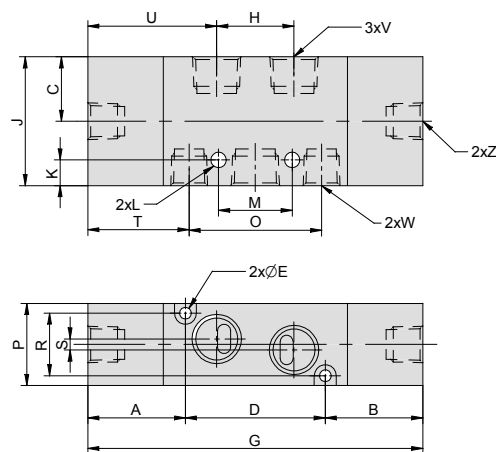
Type MVAA2204A1 and MVAA4604A1:



Type MVAA2204A2C and MVAA4604A2C:



Type MVAA2204A2 and MVAA4604A2:



Series	Function	A	B	C	D	E	G	H	J	K	L	M
220	4A1	13	26.5	17.5	38	3.2	77.5	21	35	7	4.2	20
	4A2	26.5	26.5	17.5	38	3.2	91	21	35	7	4.2	20
	4A2C	26.5	47.5	17.5	38	3.2	112	21	35	7	4.2	20
460	4A1	15	31	29.4	72	4.2	118	28	46.4	9	4.5	29
	4A2	31	31	29.4	72	4.2	134	28	46.4	9	4.5	29
	4A2C	50.7	31	29.4	72	4.2	153.5	28	46.4	9	4.5	29

Series	Function	O	P	R	S	T	U	V	W	Z
220	4A1	36	22.3	17	3	14	21.5	G1/4"	G1/8"	G1/8"
	4A2	36	22.3	17	3	27.5	35	G1/4"	G1/8"	G1/8"
	4A2C	36	22.3	17	3	28.5	56	G1/4"	G1/8"	G1/8"
460	4A1	58	30	23	4.5	22	37	G1/2"	G1/2"	G1/8"
	4A2	58	30	23	4.5	38	53	G1/2"	G1/2"	G1/8"
	4A2C	58	30	23	4.5	57.5	72.5	G1/2"	G1/2"	G1/8"