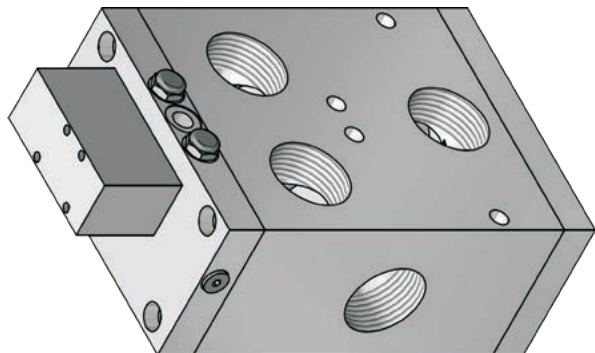


# HIGH FLOW PNEUMATICALLY ACTUATED VALVES



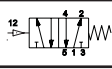
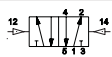
High flow valve series with flow capacity up to 28 000 NI/min is suitable for fast air supply of big appliances, or higher quantity of appliances which are supplied from common distribution. Valves are pilot operated, using smaller, standard pneumatic actuated valves ISO 5599/1. These pilot valves are designed for external supply of compressed air, however the common supply is possible, but in this case, please contact our technical dept.

This valve series contains rubber gaskets.

Series	G1"	G1 ½"
Ports	G1"	G1 ½"
Connection of external pressure supply port	G1/4"	
Connection of pilot (12,14) for pneumatic actuating	G1/8"	
Flow capacity [NI/min]	16 000	28 000
Working pressure [MPa]	0 to 1.0 MPa when external pilot supply is used	
Pilot pressure range [MPa]	0.2 to 0.7	
Temperature range [°C]	medium temperature max. 50, ambient temperature -20 to +50	

## Order codes

25 52 70 90 20 00 000 1

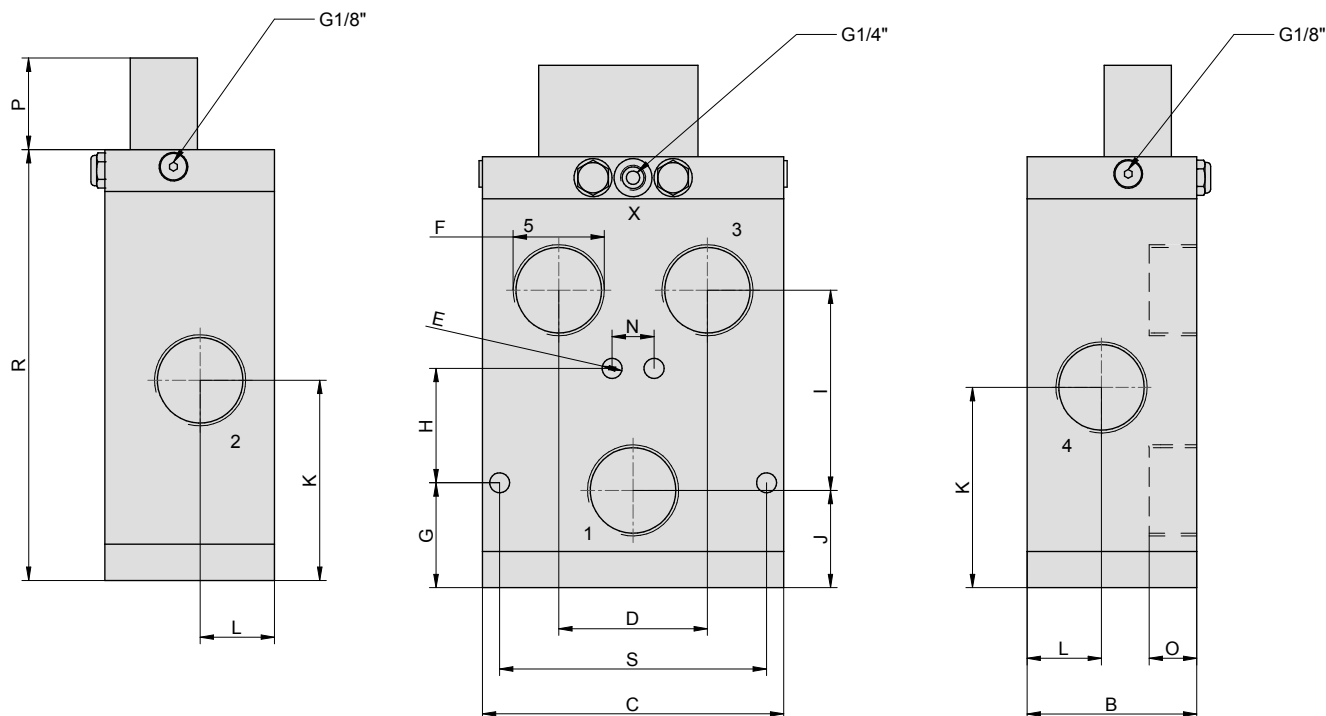
Function		
52 70 90		5/2 monostable
52 70 70		5/2 bistable

Size	
14	G1"
20	G1 ½"

Voltage	
00	w/o coils (pneumatic actuating)

Pilot supply	
2	external (from port X), standard
1*	internal (from port 1)

\*) Please consult with our technical dept.

**Dimensions**


Series	B	C	D	E	F	G	H	I	J	K	L	N	O	P	R	S	Weight [kg]
52 70 x0 14	89	158	78	10.5	G1"	55	60	105	51	105	39	22	25	48	226	140	7.5
52 70 x0 20	89	158	78	10.5	G1 1/2"	55	60	105	51	105	39	22	25	48	226	140	7.5

**Notes for connecting of valve**

Valves are designed for independent, external air pilot supply (port X). It is not recommended, to merge air supply for main valve and for pilot valve, because a big flow through main valve may cause serious dropping of pressure for pilot valve and malfunction may occur.

