







The valve with a lever is operated by turning the lever by 110°. Both positions are detent. We also produce a version with the hole for securing the valve (eg with a padlock) in the initial position.

This valve series contains rubber gaskets.

Ports	G1/4"
Flow capacity [NI/min]	800
Working pressure [MPa]	0.2 to 1.0
The way of actuation	direct
Temperature range [°C]	-20 to +80
Working medium	modified compressed air
Weight [kg]	0.43 for 3/2 function, 0.51 for 5/2 function

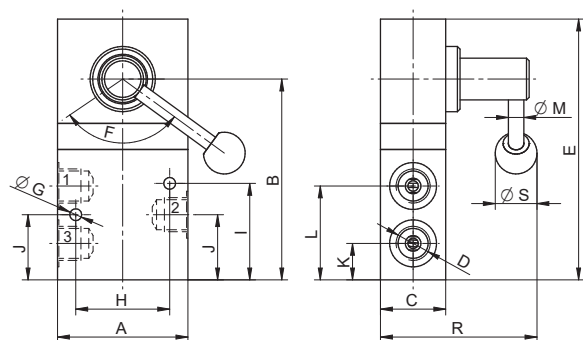
## Order codes

Ports	G1/4"
Twist lever valve 3/2 	2532 0505 0600 0005
Twist lever valve 5/2 	2552 0505 0600 0006

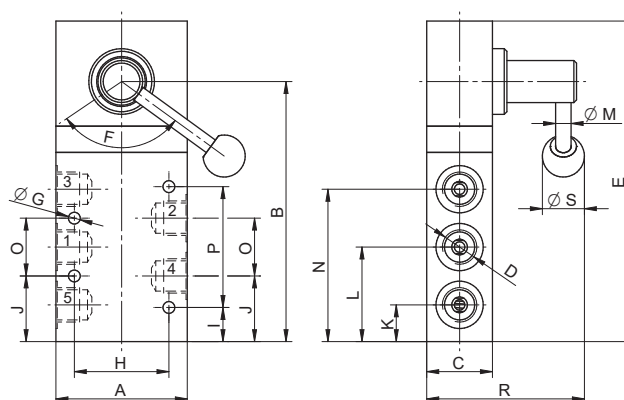
Ports	G1/4"
Twist lever valve 3/2 with hole for securing 	2532 0505 0600 0004
Twist lever valve 5/2 with hole for securing 	2552 0505 0600 0007

## Dimensions

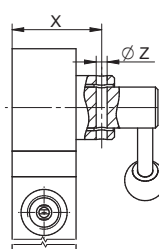
### Type 3/2



### Type 5/2



Type	A	B	C	D	E	F	G	H	I	J	K	L	M	N	O	P	R	S	X	Z
3/2	50	77	25	G1/4"	100	110	4.5	36	37	25	14	36	5	-	-	-	60	16	35	5
5/2	50	99	25	G1/4"	122	110	4.5	36	13	25	14	36	5	58	22	46	60	16	35	5



Version with hole for securing the basic position