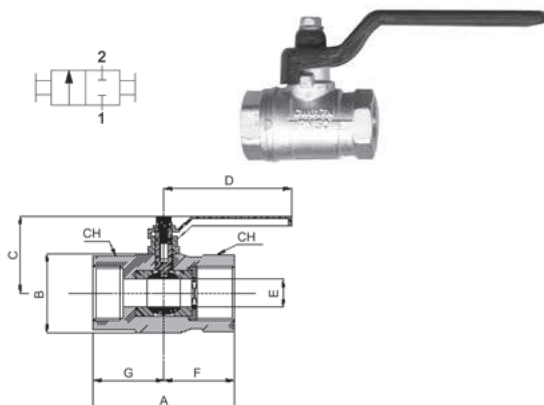


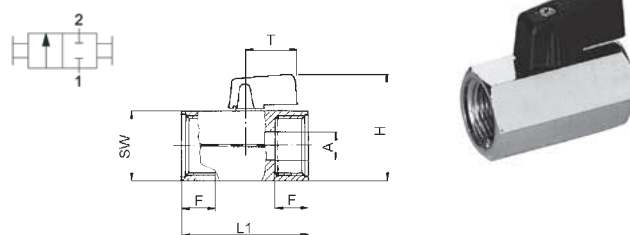
Standard ball valve 2/2

Order codes	Thread	A	B	C	D	E	F	G	CH
NKHI25	G1/4"	51	25.5	40	80	10	25.5	25.5	18
NKHI37	G3/8"	60	25.5	40	80	10	30	30	21
NKHI50	G1/2"	75	32.5	50	89	15	37.5	37.5	25
NKHI75	G3/4"	80	42	59	113	20	40	40	31
NKHI100	G1"	90	49.5	63	113	25	45	45	40
NKHI125	G1 1/4"	110	59.5	77	138	32	55	55	49
NKHI150	G1 1/2"	120	72	91	158	40	60	60	54
NKHI200	G2"	140	86	97	158	50	70	70	68.5



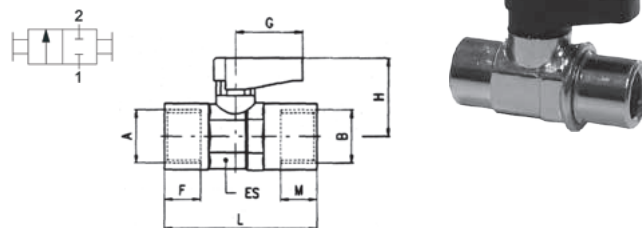
Medium ball valve 2/2

Order codes	Thread	A	F	H	L1	SW	T
NKMI10	G1/8"	6	9	38	39	21	22
NKMI25	G1/4"	8	9	38	39	21	22
NKMI37	G3/8"	8	9	38	42	21	22
NKMI50	G1/2"	10	10.5	42	47	25	22
NKMI75	G3/4"	12	10.5	46	54	30	22



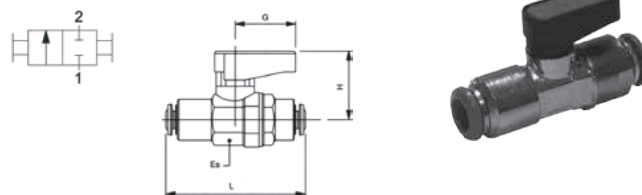
Small ball valve 2/2

Order codes	Thread A,B	ES	F	M	L	G	H
NKMI10-01	G1/8"	14-15	7.4	7.4	36	19	21
NKMI25-01	G1/4"	14-15	11	11	43	19	21
NKMI37-01	G3/8"	18-19	11.4	11.4	47	19	22
NKMI50-01	G1/2"	22-23	15	15	59	26	30.5
NKMI75-01	G3/4"	28-30	16.3	16.3	67	26	33



Small ball valve 2/2 with push-in fittings

Order codes	For tube	Es	L	G	H
NKMI-004	4 / 2	15	44	19	21
NKMI-006	6 / 4	15	48	19	21
NKMI-008	8 / 6	15	48	19	21



Working pressure	0 to 1.5 MPa (NKMI), 0 to 2.5 MPa (NKHI)
Temperature range	-10°C to +90°C (up to +60°C with push-in fittings)
Working medium	modified compressed air, oil, water