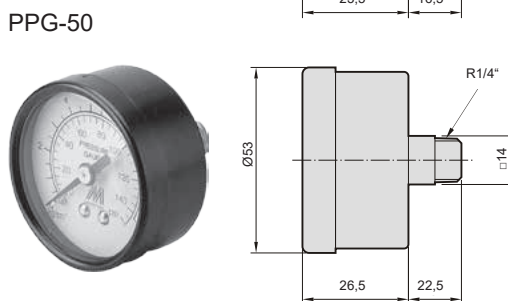
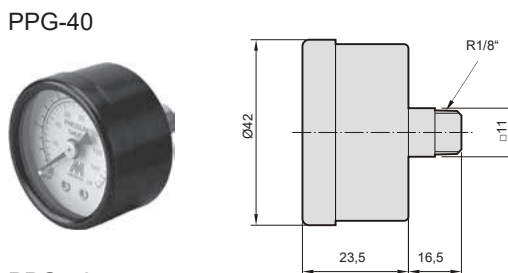
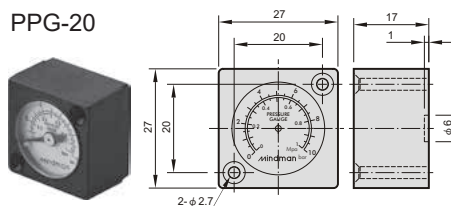


Gauges

| Type | PPG-20 | PPG-40 | PPG-50 |
|-----------------------------|-------------|-----------------------------------|-------------------|
| Scale | MPa | MPa / PSI | MPa/ PSI |
| Range [kg/cm ²] | 0 to 10 | 0 to 10; 0 to 1 0 to 3; 0 to 5 | 0 to 10 0 to 5 |
| Diameter [mm] | — | 40 | 50 |
| Accuracy | JIS class 4 | | |
| Temperature range [°C] | -5 to +60 | | |



Order codes

PPG - 40 - 5K

| Type | | Range | |
|------|--------|--------|---------------------------------|
| 20 | PPG-20 | | 0 to 10 (1,0 MPa) (standard) |
| 40 | PPG-40 | -1K* | 0 to 1 (0,1 MPa) |
| | | -3K* | 0 to 3 (0,3 MPa) |
| | | -5K* | 0 to 5 (0,5 MPa) |
| | | -20K** | 0 to 20 (2.1 MPa) |

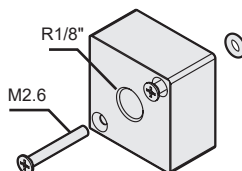
*) for PPG-40 only
**) for PPG-50 only

| Suitable for series | PPG-20 | PPG-40 | PPG-50 |
|--------------------------|--------|--------|--------|
| MAR200 | ✗ | ✓ | ✗ |
| MACP302, MAR302, MAFR302 | ✓ | ✗* | ✗ |
| MACP401, MAR401, MAFR401 | ✓ | ✗* | ✗ |
| MACP501, MAR501, MAFR501 | ✓ | ✗* | ✗ |

*) Note for series 302, 401 and 501: Gauge with a thread can only be used with a threaded adapter, order code PA-MAR302 (for series 302 and 501) or order code PA-MAR401 (for series 401).

Threaded adapter (for mounting a threaded gauge instead of a built-in square gauge)

| Description | Order code |
|---|------------|
| Threaded adapter for series Mx302 and Mx501 | PA-MAR302 |
| Threaded adapter for series Mx401 | PA-MAR401 |



Recommended tightening torque is between 1,5 to 2,5 Nm for the female thread (1/8") and 0,3 to 0,5Nm for the screws (M2.6).

Gauges for panel mounting

| Order codes | D - diam. | Thread | Range [bar] | A | B | C | E | OK |
|---------------------|-----------|--------|-------------|------|------|-----|----|----|
| 2980 0000 0600 0003 | 50 | G1/4" | 0 to 10 | 52,5 | 32,5 | 5,3 | 55 | 14 |
| 2980 0000 0600 0004 | 50 | G1/4" | 0 to 16 | 52,5 | 32,5 | 5,3 | 55 | 14 |
| 2980 0000 0600 0005 | 63 | G1/4" | 0 to 10 | 51,5 | 31,7 | 5 | 68 | 14 |
| 2980 0000 0600 0006 | 63 | G1/4" | 0 to 16 | 51,5 | 31,7 | 5 | 68 | 14 |

