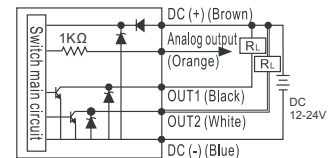


Digital pressure switch, type MP45 with threads G1/8" and M5

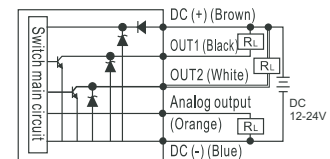

Description	Value
Rated pressure range [MPa]	0.00 to 1.00
Thread	G1/8" external and M5 internal
Max. pressure [MPa]	1.5
Working medium	air, non-corrosive gases, incombustible gases
Supply voltage [V]	12 to 24, DC ($\pm 10\%$)
Current consumption [mA]	≤ 40 (no load)
Comparative output	2x PNP/NPN output, current max. 125 mA, voltage max. 24V DC, residual voltage 1.5V
Comparative output indication	orange indicator for both outputs
Analog voltage output	output voltage 1 to 5 V $\pm 2.5\%$, linearity $\pm 1\%$ F.S., output impedance approx. 1 k Ω
Analog current output	output current 4 to 20 mA $\pm 2.5\%$, linearity $\pm 1\%$ F.S., load impedance: min. 50 Ω , max. 250 Ω at 12 V, max. 600 Ω at 24 V
Units and resolution	MPa: 0.001, bar/ kgf/cm ² : 0.01, PSI: 0.1
Hysteresis	adjustable, 1 digit or fixed in comparator mode
Repeatability	$\pm 0.2\%$ F.S. ± 1 digit
Indicator accuracy	$\pm 2\%$ F.S. ± 1 digit (at 25 ± 3 °C)
Temperature characteristic	$\pm 2.5\%$ F.S. of detected pressure (25 °C) at range 0 - 50 °C
Response time [ms]	adjustable 2.5 to 1500 in 7 steps
Short circuit protection	integrated
Display	3 1/2 digits, 7 segments, red/green, sampling rate 5x per second
Enclosure	IP65
Ambient temperature range [°C]	0 to +50 (no condensation or freezing), storage: -10 to +60
Ambient humidity [%]	35 to 85
Cable	5-wire, section 0.15 mm ² , length 2m, removable
Weight [kg]	0.086

Wiring diagrams

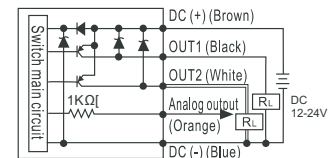
Output 010: 2x NPN + 1 analog output 1-5V



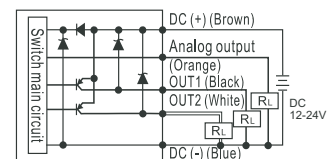
Output 011: 2x NPN + 1 analog output 4-20mA



Output 030: 2x PNP + 1 analog output 1-5V



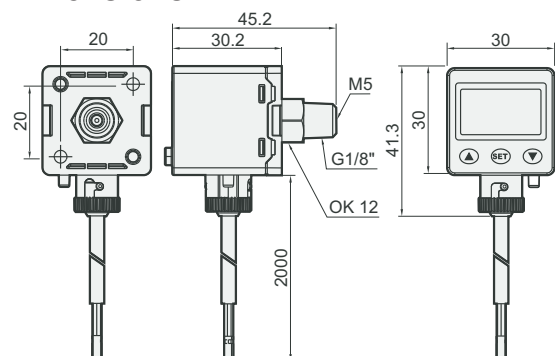
Output 031: 2x PNP + 1 analog output 4-20mA


Order codes
PMP45P- 030 -F3

Output	
010	2x NPN + 1 analog output 1-5V
011	2x NPN + 1 analog output 4-20mA
030	2x PNP + 1 analog output 1-5V
031	2x PNP + 1 analog output 4-20mA

Order codes of accessories

Description	Order codes
Bracket BT-10	PMP-A10
Bracket BT-11	PMP-A11
Panel mounting adapter with protective cover PA-F	PMP-C3

Dimensions


For dimensions of brackets and panel mounting adapter see page 8-22