



Valves are actuated by rolling the cam from the one or another side of the valve body. There are 3/2 normally closed and 5/2 valves available.


This valve series contains rubber gaskets.

Ports	G1/8"
Flow capacity [Nl/min]	550
Working pressure [MPa]	vacuum to 1.0
Actuating force [N]	10
Temperature range [°C]	-20 to +60
Working medium	modified compressed air
Weight [kg]	0.15 (3/2), 0.18 (5/2)

**Order codes**

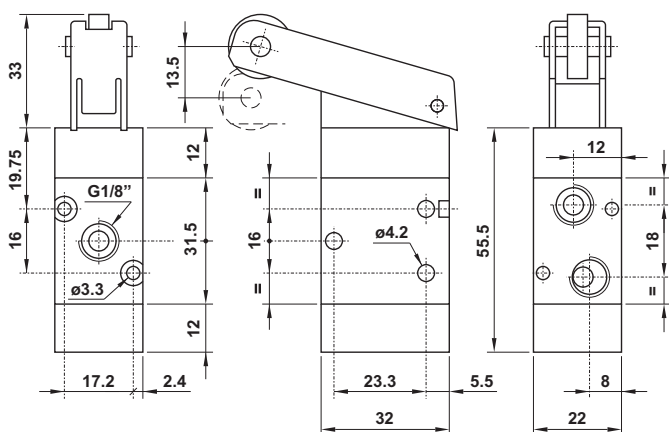
Ports	G1/8"
Valve 3/2 series 321 MR 	2532 2090 0400 0008
Valve 5/2 series 521 MR 	2552 2090 0400 0005

**i** We also offer a 3/2 roller lever valve with G1/8" threads in the MVMC series and you can find it on page 6-2.

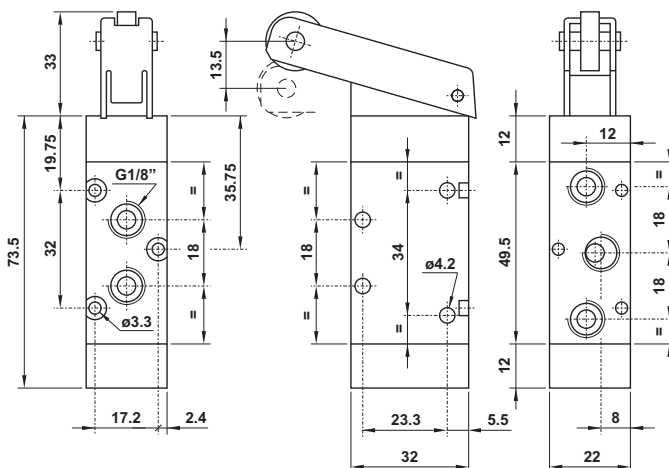


**Dimensions**

**Valve 3/2, series 321 MR**



**Valve 5/2, series 521 MR**



**Technical data**

**Construction / materials**

- body - aluminium alloy
- caps - aluminium alloy, technopolymer
- spring - stainless steel
- seals - NBR
- spool - nickel plated aluminium alloy
- internal parts - brass
- lever - zinc plated steel
- roller - bearing

**Flow rate**

