

MECHANICALLY ACTUATED ROLLER LEVER VALVES WITH IDLE RETURN SERIES 321 AND 521 MRU



STRÁNSKÝ A PETRŽÍK

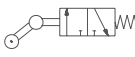
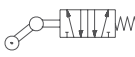


Valves are actuated by rolling the cam from the one or another side of the valve body. The cam must go over the roller and release it. During the cam return, the roller will not activate the valve. Those valves are used in pneumatic controlled circuits and everywhere where only one signal about movement is necessary. There are 3/2 normally closed and 5/2 valves available.

This valve series contains rubber gaskets.

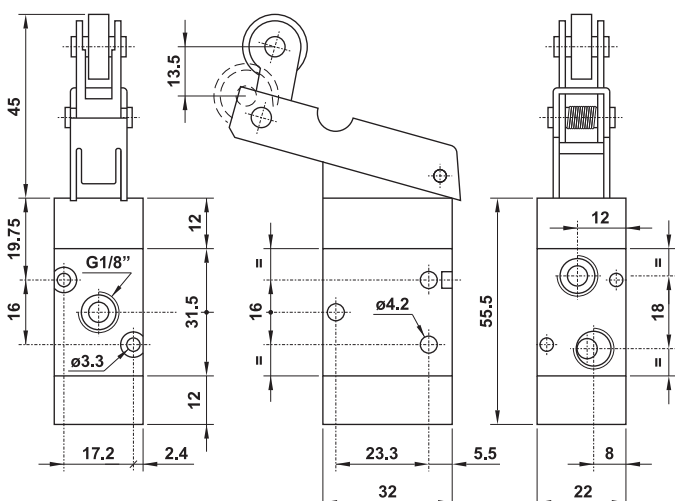
Ports	G1/8"
Flow capacity [Nl/min]	550
Working pressure [MPa]	vacuum to 1.0
Actuating force [N]	10
Temperature range [°C]	-20 to +60
Working medium	modified compressed air
Weight [kg]	0.15 (3/2), 0.18 (5/2)

Order codes

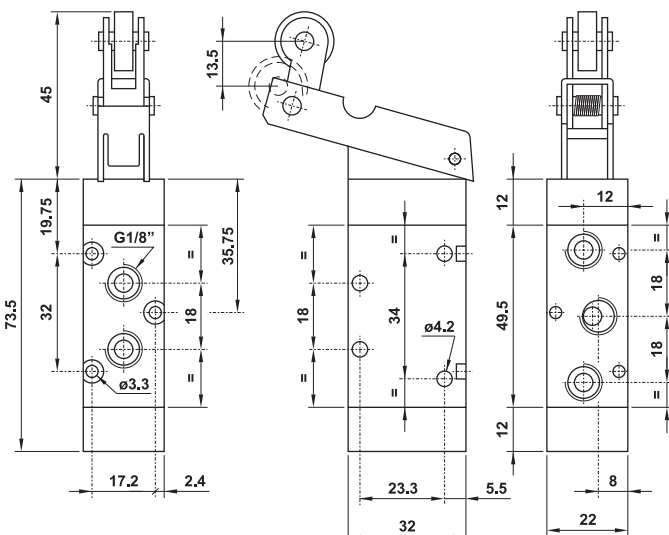
Ports	G1/8"
Valve 3/2 series 321 MRU 	2532 2190 0400 0002
Valve 5/2 series 521 MRU 	2552 2190 0400 0002

Dimensions

Valve 3/2, series 321 MRU



Valve 5/2, series 521 MRU



Technical data

Construction / materials

- body - aluminium alloy
- caps - aluminium alloy, technopolymer
- spring - stainless steel
- seals - NBR
- spool - nickel plated aluminium alloy
- internal parts - brass
- lever - zinc plated steel
- roller - bearing

Flow rate

