

PNEUMATICALLY ACTUATED VALVES SERIES MVAA



STRÁNSKÝ A PETRŽÍK



All functions like 3/2 normally close and open, 5/2 monostable and bistable and 5/3 with centre closed position are available.

This valve series contains rubber gaskets.

Series	MVAA 220	MVAA 460
Ports	G1/4" (G1/8" for exhaust ports 3, 5 and for pilot)	G1/2" (G1/8" for pilot)
Flow capacity [Nl/min]	1000	2780
Working pressure [MPa]	0 to 0,8	
Pilot pressure [MPa]	0,2 to 0,8 (min. 0,34 x work pressure + 0,1)	
Weight [kg]	function 3A1: 0,122; 3A2: 0,134; function 4A1: 0,106; 4A2: 0,134; 4A2C/P/R:0,179	function 3A1: 0,300; 3A2: 0,326 function 4A1: 0,275; 4A2: 0,338; 4A2C/P/R: 0,500
Temperature range [°C]	ambient temperature -5 to +60	

Order codes

PMVAA 220 4A1

Size	
220	series MVAA 220, thread G1/4"
460	series MVAA 460, thread G1/2"

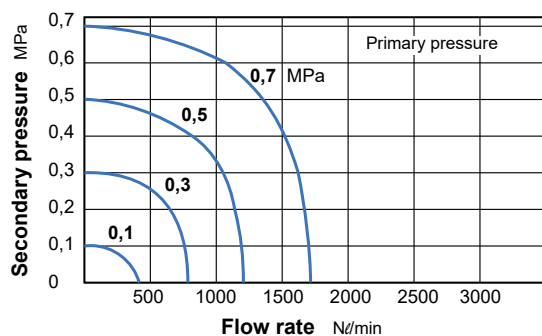
Function		
3A1C		3/2 normally closed
3A1O		3/2 normally open
3A2		3/2 bistable
4A1		5/2 monostable
4A2		5/2 bistable
4A2C		5/3 closed centre position
4A2P		5/3 pressured centre position
4A2R		5/3 exhausted centre position

i The valves of MVAA series can be mounted on manifold. Then it is possible to use one air supply (which can be through) and common exhausts. Manifold assembly can save space and reduce installation and maintenance costs. The manifolds are the same as for valves of MVSC series. Order codes and dimensions can be found on pages 5-8 and 5-26.

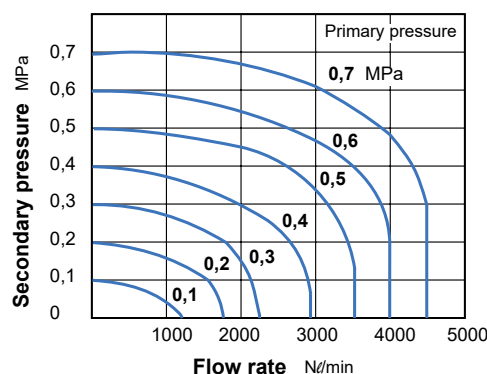
i The 5/3 valves of the MVAA 220 and MVAA 460 series are equipped with a disc seal as standard. The MVAA 220 series can also be supplied with a disc seal for the 3/2 and 5/2 functions.

Flow

Series MVAA 220

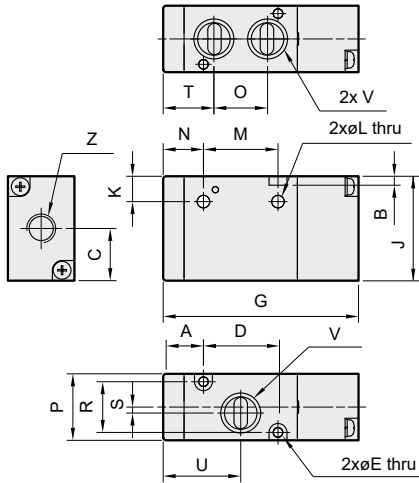


Series MVAA 460

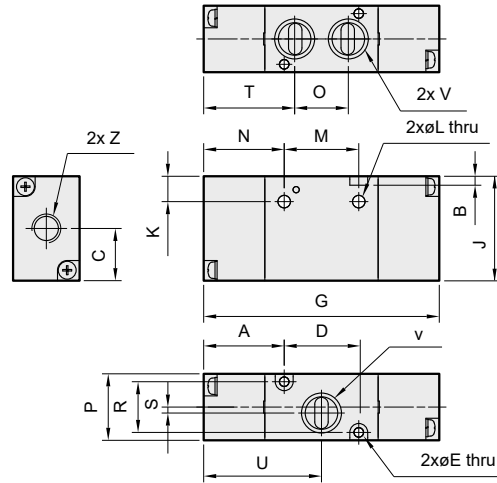


Dimensions

Function 3A1C, 3A1O:

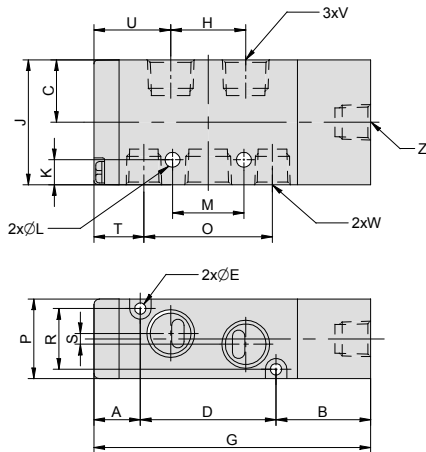


Function 3A2:

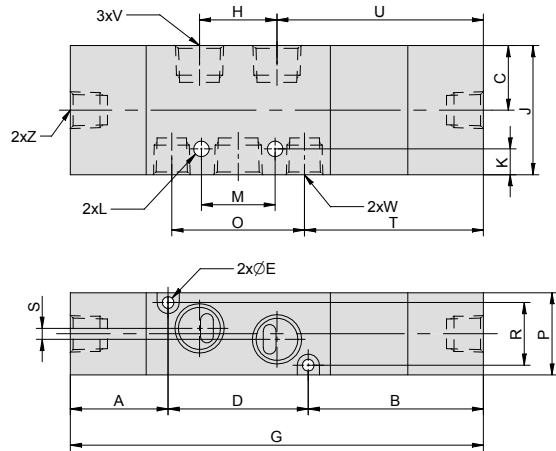


Size	Function	A	B	C	D	E	G	J	K	L	M	N	O	P	R	S	T	U	V	Z
220	3A1	12,5	3	17,5	25,5	3,2	65,5	35	8,5	4,2	25	13,5	18	22,3	17	2	17	26	G1/4"	G1/8"
	3A2	27	3	17,5	25,5	3,2	79	35	8,5	4,2	25	27	18	22,3	17	2	30,5	39,5	G1/4"	G1/8"
460	3A1	15	4	17	48	4,2	94	46,4	37,4	4,5	29	12,5	29	30	23	2,3	27	40,5	G1/2"	G1/8"
	3A2	31	4	17	48	4,2	110	46,4	37,4	4,5	29	28,5	29	30	23	2,3	43	56,5	G1/2"	G1/8"

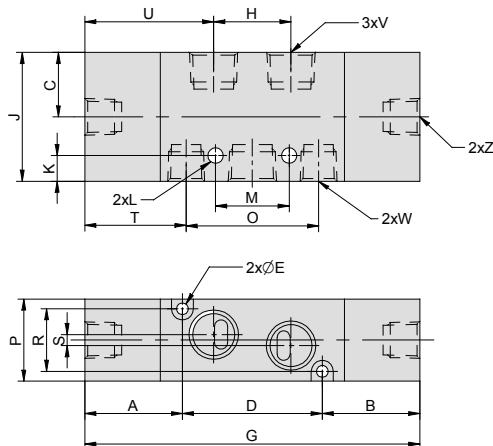
Function 4A1:



Function 4A2C, 4A2P, 4A2R:



Function 4A2:



Size	Function	A	B	C	D	E	G	H	J	K	L	M
220	4A1	13	26,5	17,5	38	3,2	77,5	21	35	7	4,2	20
	4A2	26,5	26,5	17,5	38	3,2	91	21	35	7	4,2	20
	4A2C/P/R	26,5	47,5	17,5	38	3,2	112	21	35	7	4,2	20
460	4A1	15	31	29,4	72	4,2	118	28	46,4	9	4,5	29
	4A2	31	31	29,4	72	4,2	134	28	46,4	9	4,5	29
	4A2C/P/R	50,7	31	29,4	72	4,2	153,5	28	46,4	9	4,5	29

Size	Function	O	P	R	S	T	U	V	W	Z
220	4A1	36	22,3	17	3	14	21,5	G1/4"	G1/8"	G1/8"
	4A2	36	22,3	17	3	27,5	35	G1/4"	G1/8"	G1/8"
	4A2C/P/R	36	22,3	17	3	28,5	56	G1/4"	G1/8"	G1/8"
460	4A1	58	30	23	4,5	22	37	G1/2"	G1/2"	G1/8"
	4A2	58	30	23	4,5	38	53	G1/2"	G1/2"	G1/8"
	4A2C/P/R	58	30	23	4,5	57,5	72,5	G1/2"	G1/2"	G1/8"