



# STRÁNSKÝ A PETRŽÍK



# CATALOGUE OF PNEUMATIC COMPONENTS





Dear customer,  
this is the latest version of the catalogue of pneumatic components. Thank you for your interest and we hope that this catalogue will be useful for you.

Our company, Stránský a Petržík, Pneumaticke valce spol. s r.o., exists on the market with pneumatic components since 1991, as traditional and Czech producer of pneumatic cylinders and accessories. On the 1200 m<sup>2</sup> process area, the state-of-the-art technologies are used, which in conjunction with our development allows not only fast and high-quality production of standard pneumatic components, but also special components, designed and produced accordingly to the customer's requirements.











The our goal is to offer high-quality products with long lifetime and reliable service, to maximum satisfy the customers. The result of our hard work are thousands of customers not only located in EU countries. However our the most remarkable customers are traditionally from the Czech Republic, which pleases us very much.

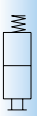
If you are interested in our products, we are looking forward to good cooperation with you.

  
Petr Stránský  
*executioner*

  
Tomáš Petržík  
*executioner*



	Technical information .....	1-2
	Pneumatic cylinders .....	2-1
	Proximity switches .....	3-1
	Cylinder mounting accessories .....	4-1
	Solenoid actuated valves .....	5-1
	Mechanically and pneumatically actuated valves .....	6-1
	Flow control valves .....	7-1
	Air preparation .....	8-1
	Shock absorber and hydraulic speed controls .....	9-1
	Fittings, tubes, silencers and other accessories .....	10-1
<b>Order code</b> <b>Page</b> 1010100... 1200100... 2101010... 2201010... 3010000...	Index .....	R-1

**i**

**R**

## News in catalogue No. 14



### Double acting cylinders ISO 15552, VDMA 24562 with end-position locking

Cylinders are equipped with automatic locking device in one or both end positions. When air supply failure occur, cylinder is locked in end position. Release is made automatically after air supply is restored. For more information see page 2-10.



### Double acting cylinders CNOMO 06.07.02

Cylinders are designed to meet the specifications of international standard CETOP. Fully adjustable cushioning at end of stroke and magnetic piston for proximity sensing are available. Another materials of components and seals are available on request. For more information see page 2-16



### Double acting cylinders series PDSW

This series of cylinders with fully adjustable cushioning at both ends and with magnetic piston for proximity switches, is direct replacement for cylinders of DSW series of other producers. For more information see page 2-24.



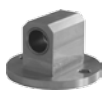
### Proximity switch series MZT8

Proximity switch in short housing with power-up pulse protection. The following types are available: PNP, NPN and NAMUR for explosion areas. For more information see page 3-4.



### Pivot pin for cylinders VDMA 24562 with round tube

For more information see page 4-11.



### Swivel flange for anti-corrosive - hygienic clean cylinders

For more information see page 4-15.



### 3/2 normally open and double solenoid valves series MVSC

Range of popular series of 3/2 valve was extended. For more information see page 5-34.



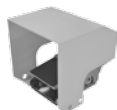
### 2/2 normally closed valves series MBS

Direct solenoid actuated valve with flow capacity 30 to 180 NI/min. For more information see page 5-40.



### 2/2 normally closed valves series MCS

Direct solenoid actuated valve with flow capacity 120 to 530 NI/min. For more information see page 5-41.



### Valves series MVFA with protective cover

Foot actuated valve with metal protective cover against unwanted operation. For more information see page 6-12.



### Components for flow control valves

Flow control valves can be easily assembled by customer in many combinations. For more information see page 7-4.



### 3/2 ball valve with push-in fittings

Valve with integrated push-in fittings and mounting holes. For more information see page 7-8.

**News in catalogue No. 14**



**Shutoff valve series MVHT**

Shutoff valve is an easy and inexpensive way to add shutoff capability to an FRL unit. The valve includes a lockout feature designed for a padlock (padlock is not included in delivery) to prevent unauthorised downstream pressurization during maintenance. For more information see page 8-13.



**Soft start-up valve series MAVS**

Soft start-up valve is used everywhere, where items in line behind the valve should be secured against intense pressure rise after connection to air supply, as is common when hand valve or quick connect couplings are used. For more information see page 8-14.



**Thread reducer from G to NPTF threads and vice versa, short prolonging fitting**

For more information see page 10-8 and 10-9.



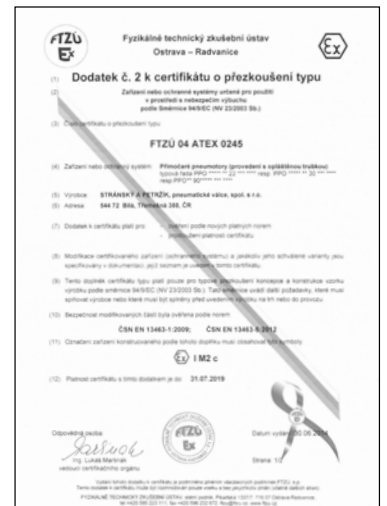
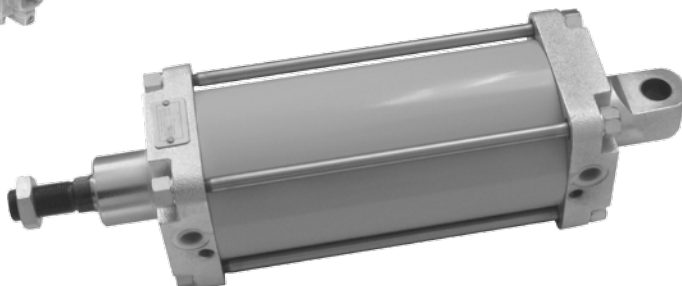
**PE-LD tube**

For more information see page 10-12.

**i** Details about all news and changes in our catalogue can be easily found in our web pages on address <http://www.stranskyapetrzik.cz/pneu-en/ke-stazeni/zmeny-pdf/>

**Pneumatic components with  certification**

We also produce components for special usage, for example components with Ex certification for using in underground mines (area with danger of methane explosion). With regard to the very large range of these components, please ask our technical department for details.





There is no question, that the internet is important communication tool nowadays. To make your access to the our latest information easy, you can always find our up to date catalogue and many other informations at address

**<http://www.stranskyapetrzik.cz>**

On this address you can find our complete offer not only of pneumatic components, but also other spheres which we deal with - machine tools, food-processing industry and single-purpose machines and equipment.

In the section with pneumatic components, you can easily use our ordering system. Each component can be simply put into the gasket directly from the catalogue, which dramatically simplify and make your work easier.



If you haven't got permanent access to the internet and you prefer electronic catalogue, we have got solution for you. Our up to date catalogue on DVD is available at our address or at our consulting engineers.



### 3D models for your CAD system

... may be simply generated any time at our web site!

1. chose the product from our internet catalogue:

2. enter 3D model parameters and e-mail address:

3. save enclosed model from incoming e-mail message

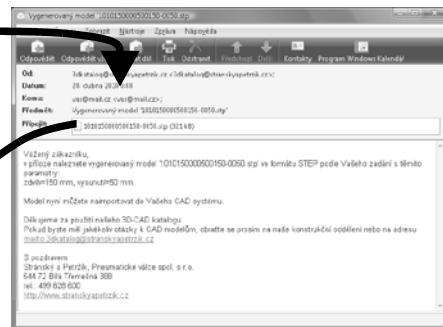
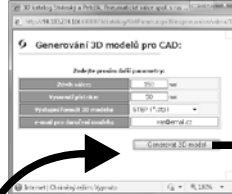
**Pneumatické válce dvojčinné**  
VDMA 24562, NF E 49003.1

10101 60 00 050 0100

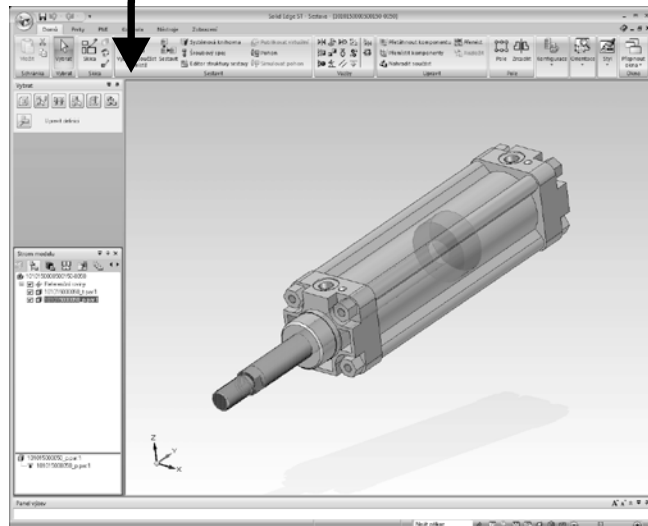
Typ válce	Vybavení	Odstřihy	Průměr pístu	Zdvih/sada těsnění
10101	00 bez tlumení, bez magnetu	00 bez odstřihy	032 32 mm	xxxxx zdvih v mm např. 0100 = zdvih 100 mm
	05 s průběžnou pístní tyčí, bez tlumení, bez magnetu	01 pístní tyč nerez 17 022	040 40 mm	
	10 bez tlumení, s magnetem	05* komplet nerez, pístní tyč nerez 17 348	050 50 mm	
	15 s průběžnou pístní tyčí, bez tlumení, s magnetem	10 těsnění pístní tyče Viton®	063 63 mm	9999 sada těsnění
	50 s tlumením, bez magnetu	11 těsnění Viton® (do 180°C)	100 100 mm	
	55 s průběžnou pístní tyčí, s tlumením, bez magnetu	13 kulatá šrouba	125 125 mm	
	60 s tlumením, s magnetem	16 ocel. síly nerez 17 240, pístní tyč nerez 17 348	160 160 mm	
	65 s průběžnou pístní tyčí, s tlumením, s magnetem	*pístní tyč pro průměr pístu 32 až 80 - výhled	200 200 mm	
		Další možností nebo speciálními požadavky lze dodat i speciální provedení	250 250 mm	
			320 320 mm	
			400 400 mm	

3D model, poptávka, objednávka

Typ válce: 10101 | Vybavení: 50 | Odstřihy: 00 | Průměr pístu: 050 | Generovat 3D model



4. import model into the your CAD system

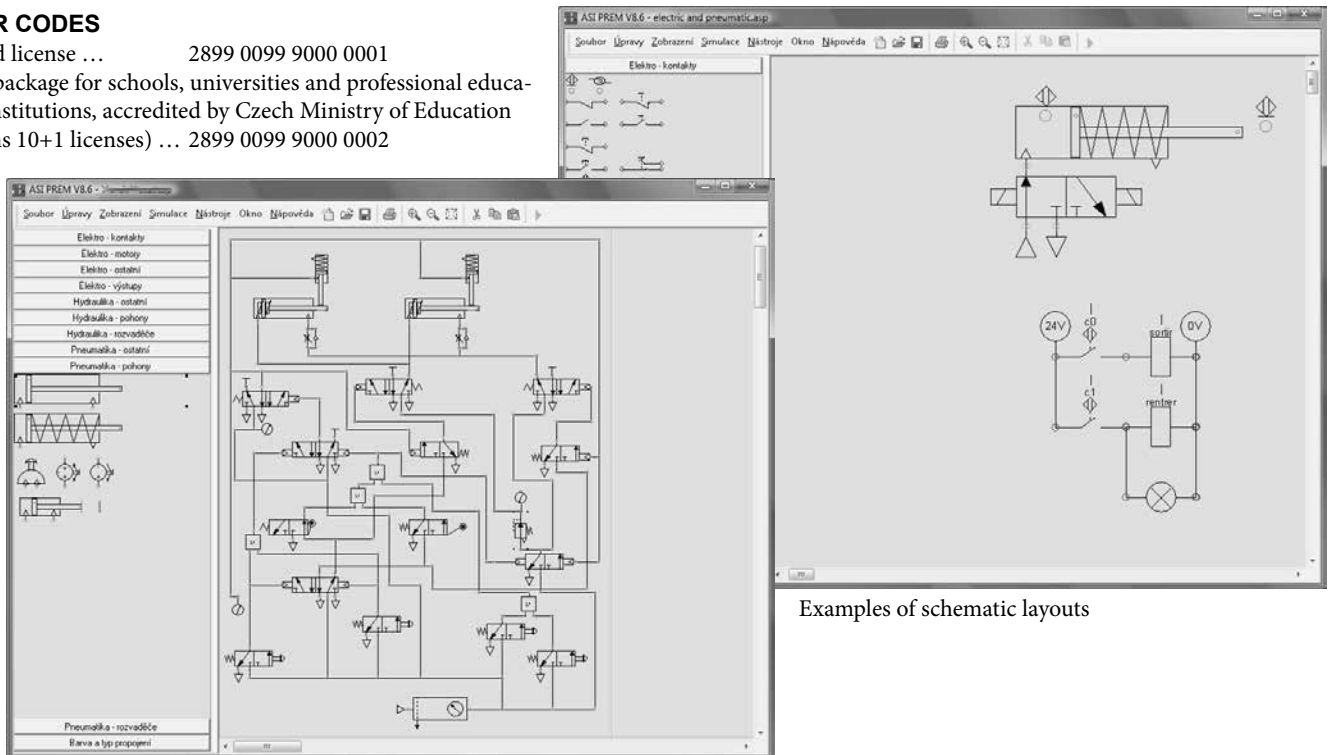


For more information about generating of 3D models please visit our web-site at <http://www.stranskyapetrzik.cz/pneu-en/ke-stazeni/3dkatalog/>

If you design pneumatic, electric, or hydraulic schematic layouts or their combination, you surely appreciate our new software in our offer. It is software **AUTOSIM PREMIUM** designed by Irai France for creating and simulating of schematic layouts.

**ORDER CODES**

standard license ... 2899 0099 9000 0001  
 license package for schools, universities and professional educational institutions, accredited by Czech Ministry of Education (contains 10+1 licenses) ... 2899 0099 9000 0002



Examples of schematic layouts

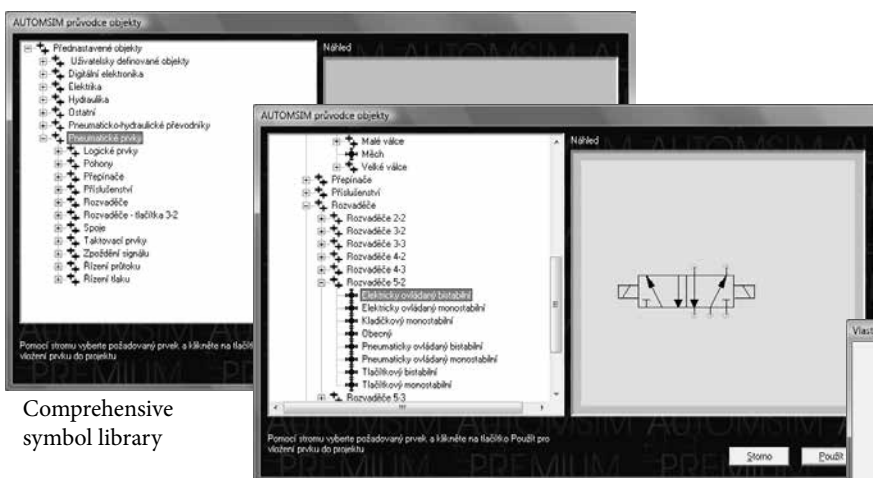
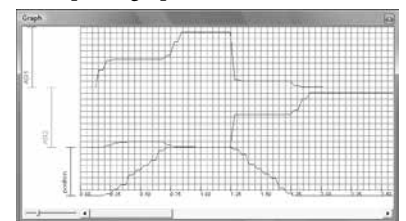
Using the symbol library, you can simply insert just the right symbol, which is necessary in your layout. If there is no specific symbol in the library, it can be easily modified from similar symbol by changing of the properties. Pneumatic cylinders can be related to proximity switches or roller lever valves, proximity switches to relays, relays to valve coils, etc. So it isn't just drawing of layouts, but circuit, which you simple built can be simulate during run and check, if the function conform the submission. Of course, the pressure level as well as percentage of adjustment of speed control and many other properties could be set and changed while simulating. It is also possible to display graph with various values.

You can also create the layout of your current circuit, with which you have some problems and check, where are the critical points.

Layouts can be printed and exported into EMF file format, which is standard file format, which could be imported by any office software.

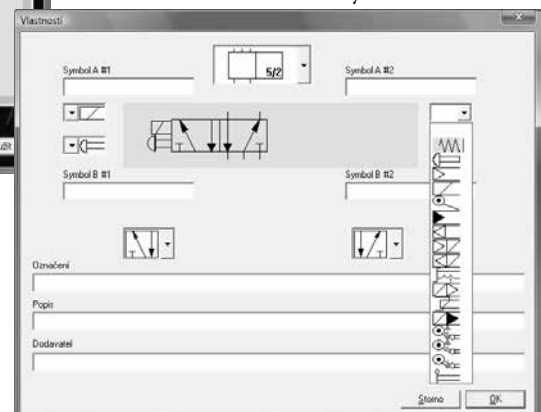
If you will fill fields like designation, supplier, description and other during inserting the symbols into the layout, the automatic creating of bill of material is available.

Example of graph



Comprehensive symbol library

Features of inserted symbol



**AUTOSIM PREMIUM is excellent for creating and functional simulating of layouts not only for its simplicity, but also for its price!**

**The full functional demo is available. Please contact us for possibility of delivery.**

## General conditions for pneumatic circuits

- it is necessary to observe appropriate safety rules, instructions, recommendation and specified parameters (temperature, pressure etc.), during setting in operation
- areas, which are pressurized even after closing of main air supply, should be specially marked in pneumatic circuits
- it is necessary to make allowance to product failure, eventually danger situations due to wrong operation, age or failure
- we recommend to mark with special sign whole pneumatic circuits, where the high caution during service is necessary
- we do not recommend to weld by electric arc on machinery, where pneumatic cylinders are mounted
- end users must take sufficient preventive steps to prevent injuries on material and health of employees

## Conditions of use and running of pneumatic cylinders

- disassembly of single acting cylinders must be done very canny, because inside spring in mounted with preload
- working medium is modified compressed air
- we recommend to use our pneumatic oil for air lubricating, or some oil listed on recommended oil list, for renewing of lifetime grease use grease SAP-FML2A
- using of other than recommended oils leads to damage of O-rings and gaskets built-in not only in cylinders, but also in other components in pneumatic circuit
- if the piston rod speed is lower than 1 ms<sup>-1</sup> the compressed air needn't to be lubricated; if piston rod speed is higher, we recommend to lubricate air by lubricator and pneumatic oil (see above); we also recommend to lubricate air, when dew point of compressed air is lower than -20°C
- special surface treatment, or material change (stainless steel) or using dust covers are possible options for hard conditions and aggressive surrounding
- other special designs or material exchange, gaskets exchange etc. are possible after consultation with our technical dept.
- it is necessary to observe correct mounting of cylinders and correct guiding of piston rod without radial forces (instead of versions which allows radial forces e.g. guide unit H)
- we recommend to use hydraulic shock absorbers, when heavy mass and high piston rod speed may occur - the machinery lifetime will be dramatically extended

## Stroke tolerance of pneumatic cylinders

Stroke of cylinder may be bigger by tolerance accordingly to DIN ISO 6431, DIN ISO 6432 and VDMA 24562. The value of tolerance is due to production tolerances and depend on diameter and stroke as follows:

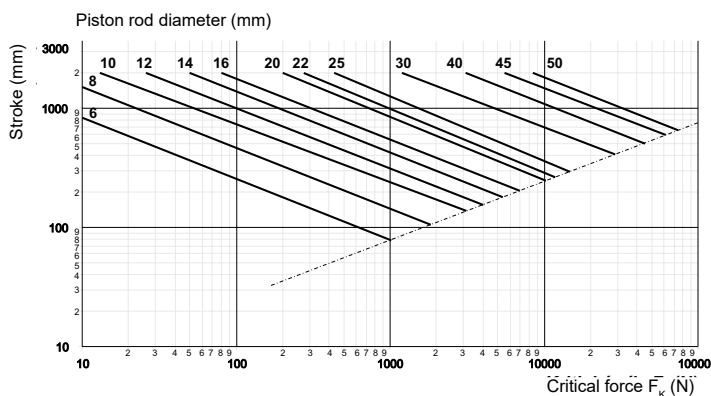
Standard	Piston diameter [mm]	Stroke [mm]	Allowable tolerance [mm]
DIN ISO 6432	8, 10, 12, 16, 20, 25	0 to 500	+1,5
		501 to 1250*	+3,2**
DIN ISO 6431 VDMA 24562 NF E 49003.1	32, 40, 50	0 to 500	+2,0
		501 to 1250*	+3,2**
	63, 80, 100	0 to 500	+2,5
		501 to 1250*	+4,0**
	125, 160, 200, 250, 320	0 to 500	+4,0
		501 to 1250*	+5,0**

- \* For strokes bigger than 1250 mm the tolerance is depending on agreement of producer and customer
- \*\* This value is not listed in standard VDMA 24562, or NF E 49003.1 and it is valid only for standard DIN ISO 6431

When stroke is big, there must be checked, if exceed of strength in buck-

## Critical strength on piston rod (buckling length)

ling can't occur, even if cylinder should pass due to piston diameter. Fast check should be done by read the data in graph below:



For exact calculate, if critical force wasn't exceed use this formulae,  $F_k$  must be higher than load to prevent piston rod damage:  
Where:  $F_k$  is critical force on piston rod [N]

$$F_k = \frac{\pi^2 \times E \times J}{l^2 \times k}$$

- E is stress modulus 2,1\*10<sup>5</sup> MPa
- J is quadratic cross section moment [mm<sup>4</sup>]
- l is critical length (=double stroke) [mm]
- k is safety coefficient (about 4 in practice)



## Conditions of use and running of pneumatic valves

- it is necessary to keep in mind, that spool of valve could be in undefined position, before first activation and uncontrolled movements should occur
- when 5/3 valves or non-return valves are used, it is necessary to keep in mind that some parts of circuit should be always pressurized - high caution during service is necessary
- it is necessary to observe listed technical data, especially pressure, air cleanness and solenoids voltage
- exhaust ports on valves should be equipped with silencers to prevent intrusion of junk into valve
- valves can work on either lubricated or non-lubricated air (for more information see chapter Modified compressed air)

Short form port designations:

Port	Designation to ISO 5599	Designation to DIN*	Designation to ANSI*
Supply port	1	P	P
Working line	2	A	B
Exhaust line	3	R	EB
Working line	4	B	A
Exhaust line	5	S	EA
Pilot line	12	Z	CA
Pilot line	14	Y	CB

\*) Designation by letters shouldn't be used anymore.

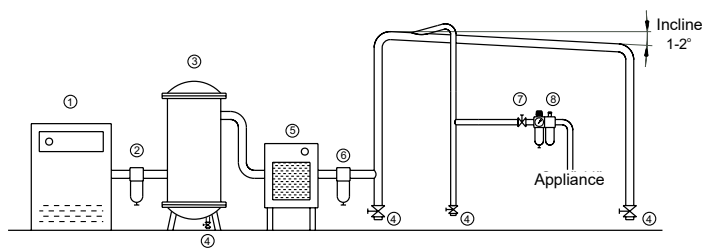
## Contacts protecting when electromagnetic coils are used

Electromagnetic coil is coil, which defend against any voltage change. Due this, it is possible, that voltage spike or electrical ark will occur when switching voltage. By this, the damage of isolation or contacts burning may occur. There are at least four ways how this danger eliminate:

- serial connection of RC circuit, it is necessary to calculate values of resistance and capacitor for each application
- for DC voltage, the diode could be used, it is necessary to calculate values of diode for each application
- Zener diode could be used for AC even DC voltage, it is necessary to calculate values of diode for each application
- varistor could be used for AC even DC voltage, varistor should be built-in in connector of valve (see connectors for valves)

## Distribution of compressed air

The operational reliability and service life of a pneumatic system depend to a large extent on the preparation of the compressed air. Impurities in the compressed air such as scale, rust and dust as well as the liquid constituents in the air which deposit as condensate can cause a great deal of damage in pneumatic systems. These contaminants accelerate wear on sliding surfaces and sealing elements, adversely affecting the functioning and service life of pneumatic components. As a result of switching the compressors on and off, pressure fluctuations occur which have an unfavourable effect on the functioning of the system. In order to eliminate these effects, compressed air service units must be installed in every pneumatic control system.



### Example of air distribution:

Compressed air goes from compressor through coarse filter to air receiver. Then the air is led into air dryer and another filter, which should catch junk, released from air receiver and dryer. Air drier is used only in substantiated cases. Then distribution in plastic or metal tubes follows, whereas the tubes should incline 1-2° due to appropriate condensed water drain. Particular distributaries to consuming devices should go out from main distribution towards to crossways up. If there are intense pressure beats during compressed air consumption, it is useful to use another smaller air receiver between distributary and consuming device. This another receiver should balance the pressure beats. Finally, the standard FRL unit is piped, or some of air preparation modules.

### Legend:

- 1) compressor
- 2) coarse filter
- 3) air receiver
- 4) drain cock
- 5) air dryer
- 6) filter
- 7) shut off valve
- 8) standard FRL unit

## Modified compressed air

Modified compressed air = filtered air without solid particles and liquids, eventually lubricated.

All our produced pneumatic items are greased with special grease, so it isn't necessary to lubricate air in standard conditions. But we recommend to regularly check lifetime grease level and if decline will occur, renew grease filling. However these items couldn't be exposed to air polluted by water or oil, because the lifetime grease should flush out. Since this, the air should be lubricated, or lifetime grease filling should be renewed. Special grease for lifetime filling is available, please see chapter Air preparation or contact our sales dept.

If pneumatic circuit is stressed and heavy duty, we recommend to lubricate air due to increase lifetime of pneumatic items.

The operational reliability and service life of pneumatic systems depend among others to quality of incoming compressed air.

Junk and moisture contained in air increases surface wear of parts and gaskets, what brings decline of economy and lifetime of pneumatic items. So, air preparation consist of liquid removal (mainly water and oil), suitable dimensioned filtration of solid junk and appropriate air lubricator.

Air after the modification must be so clean to not cause any damage on pneumatic system and sequentially damage to machinery. Using of filter the maximal flow capacity is lower because filter is basically resistance, which intercepts air flow. Filter should be with such a filter element, so the sufficient quality will be reached with reference to economy of system. If high quality of compressed air is required, the air should be filtered in several steps. If we use only coalescing filter, which will ensure requested air quality, we have to calculate with serious decrease its lifetime.

The compressed air quality is expressed by quality classes, which are described in ISO 8573-1 standard. Acceptable values of junk are listed in this standard too.

### Quality classes according to ISO 8573-1

Class	Solid junk		Max. pressure dew point [°C]	Max. oil concentration [mg/m <sup>3</sup> ]
	Max. particle size [µm]	Max. concentration [mg/m <sup>3</sup> ]		
1	0,1	0,1	-70	0,01
2	1	1	-40	0,1
3	5	5	-20	1
4	15	8	+3	5
5	40	10	+7	25
6	—	—	+10	—
7	—	—	unstipulated	—

### Recommended using of quality classes

Area	Solid junk		Water		Oil	
	Max. class	Max. particle size [µm]	Max. class	Max. dew point [°C]	Max. class	Max. concentration [mg/m <sup>3</sup> ]
Pneumatic cylinders	5	40	4	+3	5	25
Pneumatic valves	3 to 5	5 to 40	4	+3	5	25
Fine regulators	3	5	4	+3	3	1
Measurements	2	1	4	+3	3	1
Other industry	5	40	3 to 7	-20 to +10 and more	3 to 5	1 to 25

## Mounting, operation and service of air preparation units

There is necessary to pay attention to flow direction, which is marked by arrows or marks IN/OUT during mounting of units. The following sequence of units sort should be observed: shut off valve, particulate filter, coalescing filter regulator, lubricator. Bowls of particulate units must be mounted towards to bottom. Lubricator should be as closed as possible to consuming device (max. 5 to 10 m).

Condensate water level in bowl mustn't exceed level of bottom of filter element or mark on a bowl. For drain, there is connection for tube on the bottom of bowl. Automatic drain doesn't practically need service, but if semi-automatic drain is used, it is necessary to regularly check

level of condensed water in bowl and expel it always if level of water achieve filter element or mar on the bowl. Semi-automatic drain automatically expels water if the primary pressure drop under 0,05 MPa. If it is necessary to expel water immediately, there are 2 systems: one has got button - pressing the button the water is removed. The second system is without button - for removing the water simply push the tube connection towards to the bowl. If the filter element is polluted, it must be changed. Before disassembling shut off air supply and depressurize the filter, remove bowl (release safety lock on side of bowl or push the bowl towards to the unit, turn it off 45° and pull it out). Then unscrew the baffle and remove filter element. Procedure at assembling is the same, but in reverse order.

If lubricator is used, it is necessary to keep sufficient level of oil. Oil refilling is possible directly into bowl when air supply is shut off, or by button head fill nut during operation. Before disassembling shut off air supply and depressurize the lubricator, remove bowl (release safety lock on side of bowl or push the bowl towards to the unit, turn it off 45° and pull it out). Fill in bowl (see level mark on the bowl) and mount bowl back. Procedure at assembling is the same, but in reverse order. It is necessary to use only recommended oils.

Some bowls are made from polycarbonate and could be cleaned only with household soap and water. Do not use any solvent (alcohol), bowls may crackle.

## Recommended oils for compressed air lubricating

Primarily we recommend to use our pneumatic oil with order code 2995 0101 0000 0000, which composition was specially designed for this purpose. It is oil, which is foamless, nonaggressive to gaskets and has suitable mechanical characteristics (viscosity etc.).

In case of need, the following oils could be used too:

Supplier	Designation	Supplier	Designation
Stránský a Petržík	Pneumatic oil, order code 2995 0101 0000 0000	Fuchs	Renolin MR1, MR3
Shell	Tellus Ol 10	Optimol	Ultra 10
Mobil Oil	Velocite Oil No. 6	Agip	OSO10
BP	Energol HLP10	Elf	Spinelf 5, 10
Esso	Spinesso 10, Nutto H5, H10	Total	Azolla 10
Aral	Vitamol GF10, DE 10, Sumorol CM5, CM10	Fina	Cirkan 10

## Compressed air consumption

Calculation of air consumption for pneumatic cylinder:

$$Q = Z \times (qp + qz) \times n \times 0,1$$

where Q is air consumption [l/min]

Z is stroke [mm]

qp is air consumption for 10 mm of stroke when thrust [l]

qz is air consumption for 10 mm of stroke when retract [l]

n is number of complete strokes (thrust+retract) in a minute

Table of air consumption sp / sz [l] for 10 mm of stroke:

Piston diameter mm	Piston area mm <sup>2</sup>		Working pressure [MPa]									
			0,1	0,2	0,3	0,4	0,5	0,6	0,7	0,8	0,9	1,0
8	50	qp	0,0010	0,0015	0,0020	0,0025	0,0030	0,0035	0,0040	0,0045	0,0050	0,0055
	38	qz	0,0007	0,0011	0,0015	0,0019	0,0023	0,0026	0,0030	0,0034	0,0038	0,0041
10	79	qp	0,0015	0,0024	0,0031	0,0039	0,0047	0,0055	0,0063	0,0071	0,0079	0,0086
	66	qz	0,0013	0,0020	0,0026	0,0033	0,0040	0,0046	0,0053	0,0059	0,0066	0,0073
12	113	qp	0,0023	0,0034	0,0045	0,0056	0,0067	0,0078	0,0089	0,01	0,0111	0,0123
	90	qz	0,0018	0,0027	0,0036	0,0045	0,0054	0,0063	0,0072	0,0081	0,009	0,0099
16	200	qp	0,004	0,006	0,008	0,01	0,012	0,014	0,016	0,018	0,02	0,022
	170	qz	0,0034	0,0051	0,0068	0,0085	0,012	0,0119	0,0136	0,0153	0,017	0,0187
20	314	qp	0,0063	0,0094	0,0126	0,0157	0,0188	0,022	0,0251	0,0283	0,0314	0,0345
	260	qz	0,0052	0,0078	0,0104	0,013	0,0156	0,0182	0,0208	0,0234	0,026	0,0288
25	491	qp	0,0098	0,0147	0,0196	0,0245	0,0295	0,0344	0,0393	0,0442	0,0491	0,054
	410	qz	0,0082	0,0123	0,0164	0,0205	0,0246	0,0287	0,0328	0,0369	0,041	0,0451
32	804	qp	0,016	0,024	0,032	0,04	0,048	0,056	0,064	0,072	0,08	0,088
	691	qz	0,014	0,021	0,028	0,035	0,042	0,049	0,056	0,063	0,07	0,076
40	1256	qp	0,025	0,038	0,05	0,063	0,076	0,088	0,1	0,113	0,126	0,138
	1002	qz	0,02	0,03	0,04	0,05	0,06	0,07	0,08	0,09	0,1	0,11
50	1963	qp	0,039	0,059	0,079	0,089	0,118	0,137	0,157	0,177	0,196	0,216
	1708	qz	0,034	0,051	0,068	0,085	0,102	0,12	0,137	0,154	0,17	0,188
63	3116	qp	0,062	0,093	0,125	0,156	0,187	0,218	0,249	0,28	0,312	0,343
	2726	qz	0,055	0,072	0,109	0,136	0,164	0,191	0,218	0,245	0,273	0,3
80	5024	qp	0,1	0,15	0,2	0,25	0,301	0,351	0,402	0,452	0,502	0,552
	4644	qz	0,093	0,139	0,186	0,232	0,279	0,325	0,372	0,418	0,464	0,51
100	7850	qp	0,157	0,236	0,314	0,382	0,471	0,549	0,628	0,706	0,785	0,862
	7144	qz	0,143	0,214	0,286	0,357	0,429	0,5	0,571	0,643	0,714	0,786
125	12266	qp	0,245	0,368	0,49	0,613	0,736	0,859	0,981	1,104	1,226	1,349
	11559	qz	0,231	0,347	0,462	0,578	0,694	0,809	0,925	1,04	1,156	1,272
160	20096	qp	0,402	0,603	0,804	1,005	1,206	1,407	1,608	1,809	2,01	2,211
	18840	qz	0,377	0,565	0,754	0,942	1,13	1,319	1,507	1,696	1,884	2,072
200	31400	qp	0,628	0,942	1,256	1,57	1,884	2,198	2,512	2,826	3,14	3,454
	30144	qz	0,603	0,904	1,206	1,507	1,808	2,11	2,412	2,713	3,014	3,316
250	49063	qp	0,981	1,473	1,964	2,455	2,946	3,437	3,928	4,419	4,91	5,401
	47100	qz	0,942	1,413	1,884	2,355	2,826	3,297	3,768	4,239	4,71	5,181
320	80425	qp	1,609	2,413	3,217	4,021	4,826	5,630	6,434	7,238	8,042	8,847
	77308	qz	1,546	2,319	3,092	3,865	4,639	4,412	6,185	6,958	7,731	8,504



*Recommended flow capacity [l/min] depending on pressure:*

Pressure [MPa]	Port size					
	G1/8"	G1/4"	G3/8"	G1/2"	G3/4"	G1"
0,2	126	227	357	797	1416	2213
0,4	212	377	593	1328	2361	3689
0,6	297	529	826	1860	3306	5163
0,8	382	680	1062	2391	4250	6640
1,0	468	830	1299	2923	5194	8115

Values of flow capacity are applied to standard conditions at 20°C and pressure 0,1 MPa. The flow velocity 25 ms<sup>-1</sup> is supposed for calculation.

## Action force

Calculation of force on piston rod of pneumatic cylinder:

$$F = (S_p \text{ (or } S_z) \times p) - T$$

where F is force on piston rod of pneumatic cylinder [N]  
 S<sub>p</sub> is piston area at thrust [mm<sup>2</sup>]  
 S<sub>z</sub> is piston area at retract [mm<sup>2</sup>]  
 p is working pressure [MPa]  
 T is friction force (about 10% in practice)

*Table of retract force on piston rod of pneumatic cylinder [N]*

Piston diameter [mm]	Working pressure [MPa]											
	0,1	0,2	0,3	0,4	0,5	0,6	0,7	0,8	0,9	1	1,1	1,2
8	4,5	9,0	13,6	18,1	22,6	27,1	31,7	36,2	40,7	45,2	49,8	54,3
10	7,1	14,1	21,2	28,3	35,3	42,4	49,5	56,5	63,6	70,7	77,8	84,8
12	10,2	20,4	30,5	40,7	50,9	61,1	71,2	81,4	91,6	102	112	122
16	18,1	36,2	54,3	72,4	90,5	109	127	145	163	181	199	217
20	28,3	56,5	84,8	113	141	170	198	226	254	283	311	339
25	44,2	88,4	133	177	221	265	309	353	398	442	486	530
32	72,4	145	217	290	362	434	507	579	651	724	796	869
40	113	226	339	452	565	679	792	905	1018	1131	1244	1357
50	177	353	530	707	884	1060	1237	1414	1590	1767	1944	2121
63	281	561	842	1122	1403	1683	1964	2244	2525	2805	3086	3367
80	452	905	1357	1810	2262	2714	3167	3619	4071	4524	4976	5429
100	707	1414	2121	2827	3534	4241	4948	5655	6362	7068	7775	8482
125	1104	2209	3313	4418	5522	6627	7731	8835	9940	11044	12149	13253
160	1810	3619	5429	7238	9048	10857	12667	14476	16286	18095	19905	21714
200	2827	5655	8482	11309	14137	16964	19791	22619	25446	28274	31101	33928
250	4418	8835	13253	17671	22089	26506	30924	35342	39760	44177	48595	53013
320	7238	14476	21714	28952	36190	43428	50666	57904	65142	72380	79618	86856

## Hydraulic shock absorber selection

Five basic criteria are required for sizing the shock absorbers:

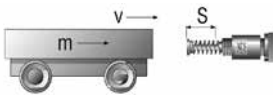
- impacting mass  $m$  (kg)
- impact speed  $v$  (m/s)
- additional external forces acting on the mass e.g. propelling force  $F$  (N)
- number of strokes of the shock absorber per hour  $X$  (1/h)
- number of parallel shock absorbers

### Free falling mass



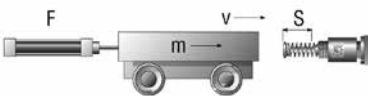
- $W_k = m \cdot g \cdot H$
- $W_A = m \cdot g \cdot S$
- $W_{kg} = W_k + W_A$
- $W_{kg/h} = W_{kg} \cdot X$
- $m_e = \frac{2 \cdot W_{kg}}{v_e^2}$
- $v = v_e = \sqrt{2 \cdot g \cdot H}$

### Mass without propelling force



- $W_{kg} = \frac{m \cdot v^2}{2}$
- $W_{kg/h} = W_{kg} \cdot X$
- $v = v_e$
- $m_e = \frac{2 \cdot W_{kg}}{v_e^2}$

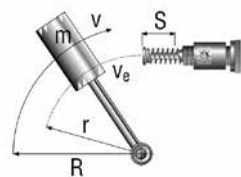
### Mass with propelling force, horizontal



Movement downward:  $W_A = (F + m \cdot g) \cdot S$   
 Movement upward:  $W_A = (F - m \cdot g) \cdot S$

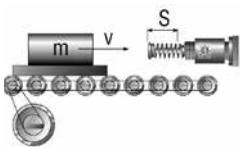
- $v_e = \frac{v}{K1}$
- $W_k = \frac{m \cdot v_e^2}{2}$
- $W_A = F \cdot S$
- $W_{kg} = W_k + W_A$
- $W_{kg/h} = W_{kg} \cdot X$
- $m_e = \frac{2 \cdot W_{kg}}{v_e^2}$

### Swinging mass without propelling force



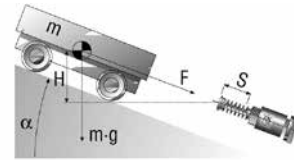
- $W_k = \frac{m \cdot v^2}{2} = \frac{J \cdot \omega^2}{2}$
- $W_A = \frac{M \cdot S}{r}$
- $W_{kg} = W_k + W_A$
- $W_{kg/h} = W_{kg} \cdot X$
- $v_e = r \cdot \omega = \frac{v \cdot r}{R}$
- $m_e = \frac{2 \cdot W_{kg}}{v_e^2}$

### Mass on driven rollers



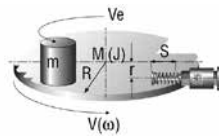
- $W_k = \frac{m \cdot v^2}{2}$
- $W_A = m \cdot g \cdot S \cdot \mu$
- $W_{kg} = W_k + W_A$
- $W_{kg/h} = W_{kg} \cdot X$
- $v = v_e$
- $m_e = \frac{2 \cdot W_{kg}}{v_e^2}$

### Mass on incline



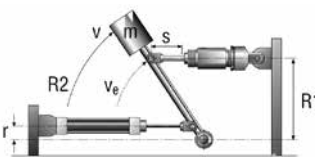
- $W_k = m \cdot g \cdot H$
- $W_A = m \cdot g \cdot \sin \alpha \cdot S$
- $W_{kg} = W_k + W_A$
- $W_{kg/h} = W_{kg} \cdot X$
- $v = v_e = \sqrt{2 \cdot g \cdot H}$
- $m_e = \frac{2 \cdot W_{kg}}{v_e^2}$

### Rotary table with propelling force



- $W_k = \frac{m \cdot v^2}{2} = \frac{J \cdot \omega^2}{2}$
- $W_A = \frac{M \cdot S}{r}$
- $W_{kg} = W_k + W_A$
- $W_{kg/h} = W_{kg} \cdot X$
- $v_e = r \cdot \omega = \frac{v \cdot r}{R}$
- $m_e = \frac{2 \cdot W_{kg}}{v_e^2}$

### Swinging mass with propelling force



- $W_k = \frac{m \cdot v^2}{2}$
- $W_A = \frac{M \cdot S}{R1} = \frac{F \cdot r \cdot S}{R1}$
- $W_{kg} = W_k + W_A$
- $W_{kg/h} = W_{kg} \cdot X$
- $v_e = R1 \cdot \omega = \frac{v \cdot R1}{R2}$
- $m_e = \frac{2 \cdot W_{kg}}{v_e^2}$

### Formulae

Effective mass

$$m_e = \frac{2 \cdot W_{kg}}{v_e^2}$$

Counter force

$$F_c = \frac{W_{kg} \cdot 1.2^*}{S}$$

Deceleration time

$$t = \frac{2 \cdot S}{v_e} \cdot 1.2^*$$

Deceleration time

$$a = \frac{v^2}{2 \cdot S} \cdot 1.2^*$$

Stroke

$$S = \frac{v^2}{2 \cdot a} \cdot 1.2^*$$

\*) Calculation for optimum setting. Allow a safety margin!

### Used values and variables

$W_k$	[Nm]	kinetic energy	$K_1$	[1]	correction factor for pneumatic drive force ( $K_1=0,65$ )
$W_A$	[Nm]	propelling force energy	$M$	[Nm]	torque
$W_{kg}$	[Nm]	total energy	$R, r$	[m]	radius
$W_{kg/h}$	[Nm·h <sup>-1</sup> ]	total energy per hour	$H$	[m]	height
$m$	[kg]	mass	$g$	[m·s <sup>-2</sup> ]	acceleration due to gravity
$m_e$	[kg]	effective mass	$J$	[kg·m <sup>2</sup> ]	moment of inertia
$v$	[m·s <sup>-1</sup> ]	impact speed	$\omega$	[s <sup>-1</sup> ]	angular velocity
$v_e$	[m·s <sup>-1</sup> ]	effective speed	$\mu$	[1]	coefficient of friction (steel=0,2)
$X$	[h <sup>-1</sup> ]	number of strokes per hour	$a$	[°]	angle
$S$	[m]	stroke	$a$	[m·s <sup>-2</sup> ]	acceleration / deceleration
$F$	[N]	propelling force	$t$	[s]	deceleration time
$F_p$	[N]	pneumatic drive force	$F_c$	[N]	counter force

## Summary of the pneumatic symbols based on DIN ISO 1219

### Energy conversion

Single acting cylinder, return movement by external force		Double acting cylinder with double-ended piston rod and adjustable cushioning at end of stroke and magnetic piston	
Single acting cylinder, return movement by spring		Pneumatic motor with limited range of swivel	
Double acting cylinder		Pressure intensifier for the same fluid	
Double acting cylinder with double-ended piston rod		Pressure intensifier for air and liquid	
Double acting cylinder with adjustable cushioning at end of stroke		Compressor	
Double acting cylinder with double-ended piston rod and adjustable cushioning at end of stroke		Vacuum pump	
Double acting cylinder with adjustable cushioning at end of stroke and magnetic piston			

### Directional control valves

2/2-way valve, manually actuated		3/2-way valve, normally closed, actuated by roller lever	
2/2-way valve, normally closed, solenoid actuated		3/2-way valve, normally opened, actuated by roller lever	
2/2-way valve, normally opened solenoid actuated		3/2-way valve, normally closed, actuated by roller lever with idle return	
3/2-way valve, manually actuated		3/2-way valve, normally closed, indirect solenoid actuated	
3/2-way valve, actuated by lever		3/2-way valve, normally opened, indirect solenoid actuated	
3/2-way valve, actuated by pushbutton		5/2-way valve, actuated by lever	
3/2-way valve, actuated by pedal		5/2-way valve, actuated by pushbutton	
3/2-way valve, pneumatically actuated, monostable		5/2-way valve, actuated by pedal	
3/2-way valve, pneumatically actuated, bistable		5/2-way valve, pneumatically actuated, monostable	
5/2-way valve, pneumatically actuated, bistable		5/3-way valve, actuated by lever, centre position closed	
5/2-way valve, indirect solenoid actuated, monostable		5/3-way valve, actuated by lever, centre position exhausted	
5/2-way valve, indirect solenoid actuated, bistable		5/3-way valve, indirect solenoid actuated, centre position closed	
		5/3-way valve, indirect solenoid actuated, centre position opened	



**Directional control valves generally and control mechanisms**

2 positions



Roller lever with idle return



3 positions



Direct solenoid



Manual control - general



Direct application of pressure



Pushbutton



Direct application by pressure relief



Lever



Indirect by application of pressure (pilot)



Pedal



Solenoid and pilot valve



Plunger



Solenoid and pilot valve with manual override



Spring



Detent for 3 positions



Roller lever


**Air preparation**

Filter



Dryer



Water separator



Lubricator



Water separator with automatic drain



Standard unit (filter pressure regulator with gauge, lubricator), simplified representation



Filter with water separator with automatic drain



Pressure regulator


**Energy transmission, valves**

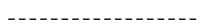
Working line



Gauge



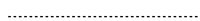
Control line



Pressure source



Exhaust line



Flexible pipeline



One-way flow control valve, adjustable



Line connection



Bidirectional flow control valve, adjustable



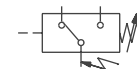
Quick coupling with mechanically opened non-return valves, coupled



Rotary connection with 1 path



Pressure switch



Rotary connection with 2 paths



Check valve with spring



Silencer



Piloted check valve



Quick exhaust valve



OR disjunction (logical sum)



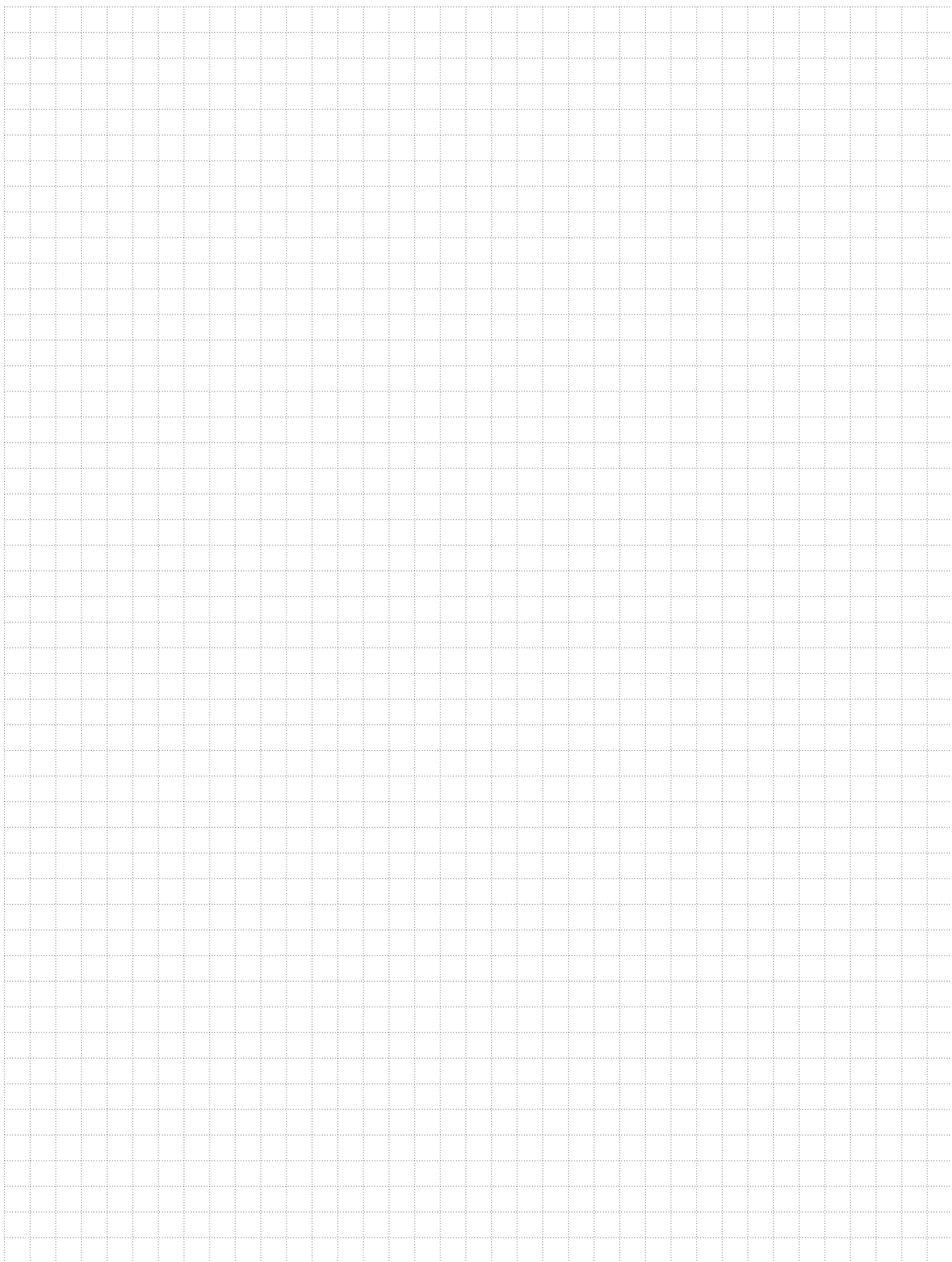
Pneumatic capacitor












AND conjunction (logical product)












i









**Double acting pneumatic cylinders**

	ISO 15552, VDMA 24562 ..... 2-2 <i>Piston diameter 32 to 125 mm</i>
	DIN ISO 6431, VDMA 24562 ..... 2-4 <i>Piston diameter 32 to 400 mm</i>
	DIN ISO 6431, VDMA 24562, with double piston rod.. 2-6 <i>Piston diameter 32 to 200 mm</i>
	DIN ISO 6431, VDMA 24562, with lock device.. 2-8 <i>Piston diameter 32 to 100 mm</i>
	ISO 15552, VDMA 24562, with end-pos.locking . 2-10 <i>Piston diameter 32 to 63 mm</i>
	DIN ISO 6431, VDMA 24562, tandem ..... 2-12 <i>Piston diameter 80 to 320 mm</i>
	Compact ..... 2-14 <i>Piston diameter 32 to 100 mm</i>
	CNOMO 06.07.02 ..... 2-16 <i>Piston diameter 32 to 200 mm</i>
	DIN ISO 6432 ..... 2-18 <i>Piston diameter 12 to 16 mm</i>



	DIN ISO 6432 ..... 2-20 <i>Piston diameter 20 a 25 mm</i>
	DIN ISO 6432 with pressed-in tube ..... 2-22 <i>Piston diameter 8 to 25 mm</i>
	PDSW ..... 2-24 <i>Piston diameter 32 to 63 mm</i>
	Anti-corrosive - hygienic clean ..... 2-26 <i>Piston diameter 32 to 100 mm</i>
	Short stroke ..... 2-30 <i>Piston diameter 20 to 100, 160 and 250 mm</i>
	Short stroke with guide with slide bearings ..... 2-32 <i>Piston diameter 20 to 100 and 160 mm</i>
	Rotary actuators ..... 2-34 <i>Piston diameter 20 to 160 mm</i>
	Rodless series S1, S5 and VL1 ..... 2-36 <i>Piston diameter 25 to 50 mm</i>
	Rodless, magnetically coupled, series MCRPM ..... 2-42 <i>Piston diameter 10 to 40 mm</i>



**Double acting guide pneumatic cylinders**

	Series MCGS twin guide ..... 2-44 <i>Piston diameter 12 to 63 mm</i>
	Series MCGD twin guide, slide ..... 2-48 <i>Piston diameter 12 to 32 mm</i>
	Series MCDA double piston rod ..... 2-50 <i>Piston diameter 6 to 32 mm</i>



	Series MCDB double piston rod, slide ..... 2-52 <i>Piston diameter 10 to 32 mm</i>
	Slide series MCSS ..... 2-58 <i>Piston diameter 6 to 25 mm</i>
	Stopper series MSBD, MSBR and MSBS ..... 2-59 <i>Piston diameter 20 to 80 mm</i>




**Single acting pneumatic cylinders**

	DIN ISO 6431, VDMA 24562, NF E 49003.1 .... 2-60 <i>Piston diameter 32 to 100 mm</i>
	Compact ..... 2-62 <i>Piston diameter 32 to 100 mm</i>



	DIN ISO 6432 ..... 2-64 <i>Piston diameter 12 to 25</i>
	Short stroke ..... 2-66 <i>Piston diameter 20 to 100 and 160 mm</i>




**Pneumatic shake devices**

	Ball vibrator ..... 2-68 <i>Ball diameter 8 to 36 mm</i>
	Pneumatic knocker ..... 2-70 <i>Piston diameter 32 to 80 mm</i>



	Pneumatic knocker with air tank ..... 2-72 <i>Piston diameter 32 to 80 mm</i>
	Spring knocker ..... 2-74 <i>Piston diameter 32, 50 and 80 mm</i>
	Air cannon ..... 2-76 <i>Volume 2 and 8 litres</i>

**Pneumatic clamp cylinders and grippers**

	Swing clamp series MCKC..... 2-78 <i>Piston diameter 12 to 40 mm</i>
	Swing clamp series MTAD and MTAS..... 2-79 <i>Piston diameter 25 to 63 mm</i>


	Clamp series MCKA ..... 2-80 <i>Piston diameter 40 to 63 mm</i>
	Angular and parallel grippers series MCHA and MCHB .. 2-81 <i>Piston diameter 12 to 32 mm</i>
	Three jaws parallel grippers series MCHG2 ..... 2-82 <i>Piston diameter 16 to 125 mm</i>

**Pneumatic-hydraulic power cylinders and boosters**

	Pneumatic-hydraulic power cylinders series MHPD .. 2-83 <i>Piston diameter 50 to 125 mm</i>
	Boosters series MHB ..... 2-84 <i>Pressure increase rate 7,8 to 25</i>

	Booster regulator series MVBA ..... 2-85 <i>Pressure increase rate 2</i>
---	---

**Other types of pneumatic cylinders**

	Cylinders to customer's request, special cylinders .. 2-86 <i>Piston diameter 8 to 600 mm</i>
---	--

# DOUBLE ACTING PNEUMATIC CYLINDERS

## ISO 15552, VDMA 24562, NF E 49003.1



Modern design, quality processing and high-quality of used parts - there are characteristics of new cylinders series. Dimensions conforms to the international standards ISO 6431, VDMA 24562 and NF E 49003.1, that is why it can replace pneumatic cylinder, which is made by any producer to these standards. Fully adjustable cushioning at end of stroke and magnet for proximity switches are standard for this series. The proximity switches can be mounted directly to the tube's groove - so no brackets are necessary. The lifetime of cylinders is more than 4000 km at standard conditions.



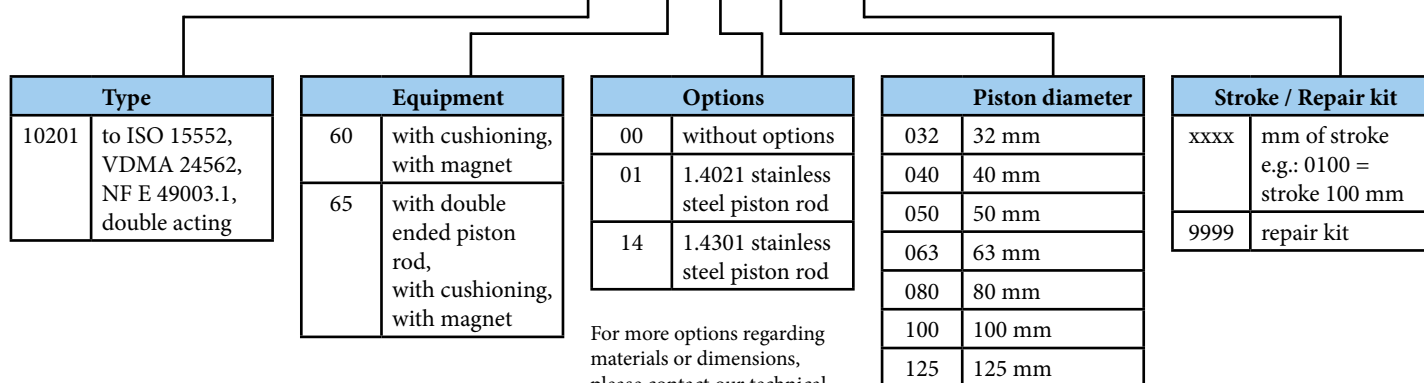
Working pressure	0,6 MPa
Min. pressure	0,1 MPa
Max. pressure	1,0 MPa
Temp. range	-20°C to +80°C
Working medium	modified compressed air

Piston diameter [mm]	32	40	50	63	80	100	125
Thrust at 0,6 MPa [N]	482	754	1178	1870	3015	4713	7363
Thrust at 0,6 MPa [N] with double ended piston rod	415	633	990	1682	2720	4418	6880
Return force at 0,6 MPa [N]	415	633	990	1682	2720	4418	6880
Connection	G1/8"	G1/4"	G1/4"	G3/8"	G3/8"	G1/2"	G1/2"
Length of adjustable cushioning [mm]	17	17	17	16	20	18	28
Max. stroke [mm] *	1000*	1000*	1000*	1000*	1500*	1500*	2000*
Working speed [mm/s]	50 to 500						
Min. stroke for proximity sensing [mm]	17	21	25	25	25	25	25
Weight 0 mm stroke [kg]	0,46	0,74	1,27	1,70	2,65	3,67	5,53
Weight add. per 1 mm stroke [kg]	0,003	0,004	0,007	0,007	0,011	0,013	0,020
Weight 0 mm stroke [kg] with double ended piston rod	0,52	0,84	1,37	1,90	2,97	4,31	6,54
Weight add. per 1 mm stroke [kg] with dbl. ended piston rod	0,004	0,006	0,009	0,009	0,015	0,017	0,026

\*) Stroke of cylinder may be longer after agreement with our technical dept.

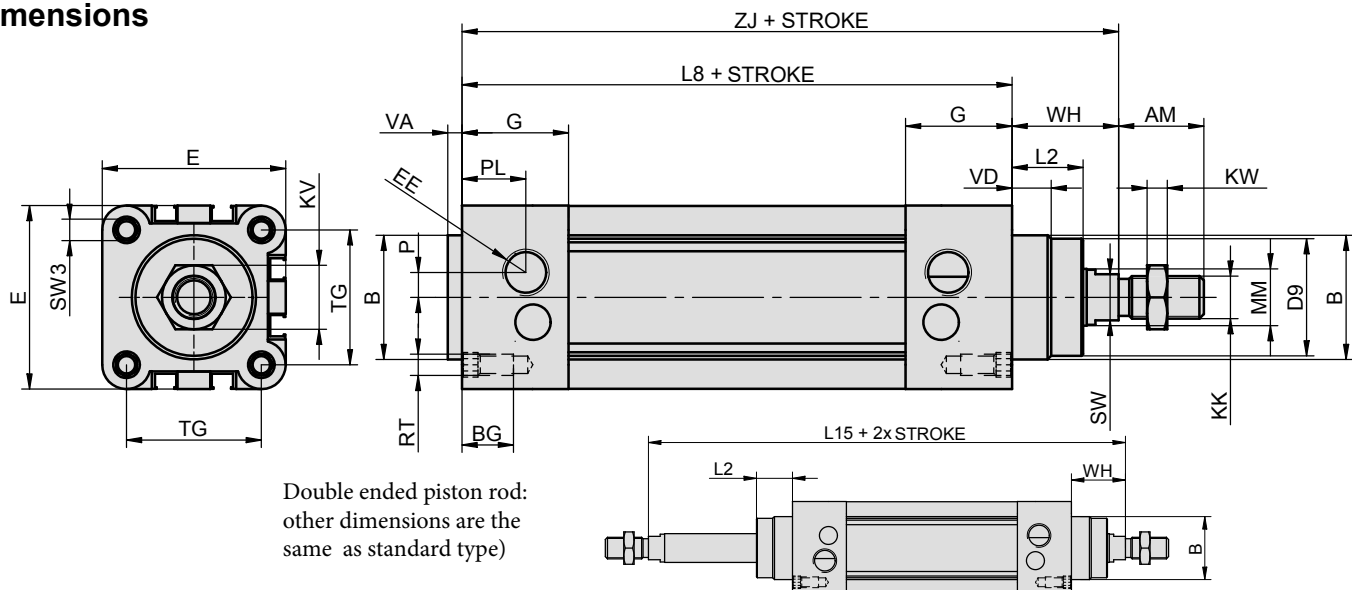
## Order codes

10201 60 00 050 0100

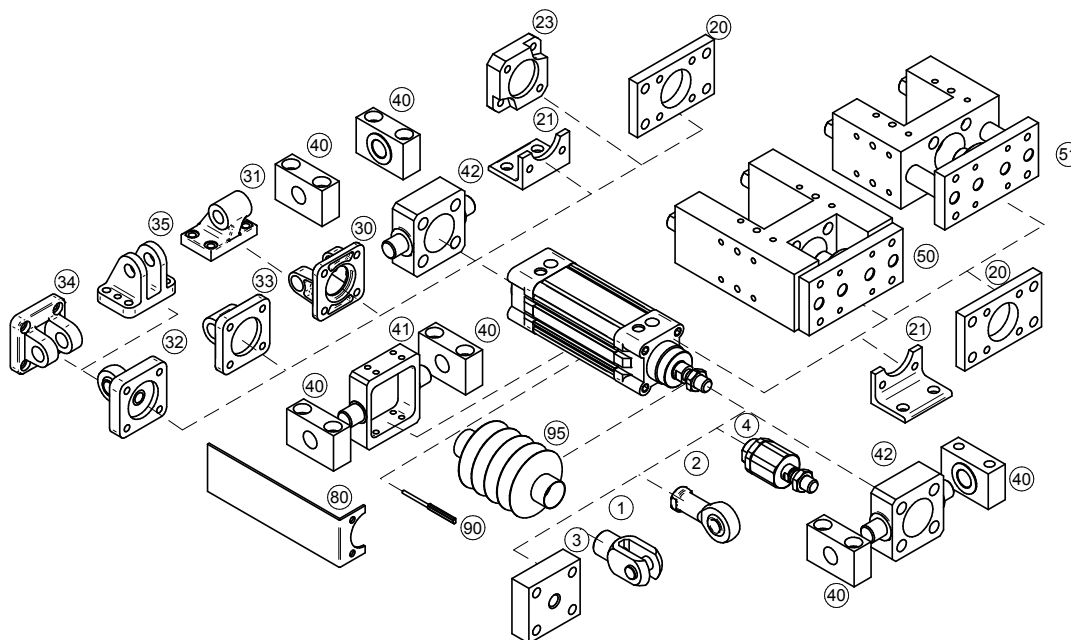


## Construction / materials

- caps: aluminium mold casting
- body: drawn dural profile, hard anodized
- piston rod: grounded round steel bar CK45 with hard chrome plated surface

**Dimensions**


∅	AM	B	BG	D9	E	EE	G	KK	KV	KW	L2	L8	L15	MM	P	PL	RT	SW	SW3	TG	VA	VD	WH	ZJ
32	22	30	16	28	46	G1/8"	25	M10x1,25	17	6	18	94	146	12	5	16	M6	10	6	32,5	4	10	26	120
40	24	35	14,5	33	52	G1/4"	30	M12x1,25	19	7	21,5	105	165	16	6	14	M6	13	6	38	4	11	30	135
50	32	40	17	38	64	G1/4"	30	M16x1,5	24	8	28	106	180	20	8,5	20	M8	16	8	46,5	4	11	37	143
63	32	45	17	38	75	G3/8"	36	M16x1,5	24	8	28,5	121	195	20	10	17	M8	16	8	56,5	4	11	37	158
80	40	45	17	44	93	G3/8"	36	M20x1,5	30	9	34,7	128	220	25	8	28	M10	21	10	72	4	11	46	174
100	40	55	17	44	110	G1/2"	39	M20x1,5	30	9	38,2	138	240	25	10	32	M10	21	10	89	4	11	51	189
125	54	60	18	54	135	G1/2"	44	M27x2	36	11	46	160	290	32	12	30	M12	27	12	110	6	11	65	225

**Mounting accessories**


Mounting accessories	... see page
1 Piston rod clevis	... 4-2
2 Piston rod eye	... 4-3
3 Flanged piston rod coupling	... 4-2
4 Self-aligning piston rod coupling	... 4-3
20 Flange mounting	... 4-6
21 Foot mounting	... 4-4
23 Boxer flange mounting	... 4-22
30 Swivel flange	... 4-8
31 Clevis foot mounting	... 4-8
32 Swivel flange with spherical bearing	... 4-10
33 Swivel flange	... 4-7
34 Narrow swivel flange	... 4-9
35 Rectangular swivel flange	... 4-9
40 Trunnion mounting	... 4-12
41 Pivot pin	... 4-10
42 Pivot pin to front/end cap	... 4-12
50 Guide unit H with ball bearings	... 4-18
51 Guide unit with slide bearings	... 4-20
80 Valve bracket	... 4-22
90 Proximity switch	... 3-2, 3-4
90 Proportional position sensor with analog output	... 3-8
95 Piston rod protective cover	... 4-23



# DOUBLE ACTING PNEUMATIC CYLINDERS

## VDMA 24562, NF E 49003.1



Cylinders are designed to meet the specifications of international standards ISO 6431, VDMA 24562 and NF E 49003.1, that is why it can replace pneumatic cylinder, which is made by any producer to these standards. The cylinders can work in higher temperatures by request. Fully adjustable cushioning at end of stroke is available.



Working pressure	0,6 MPa
Min. pressure	0,15 MPa
Max. pressure	1,0 MPa
Temp. range	-20°C to +80°C *
Working medium	modified compressed air

\*) values are valid for standard gaskets

Piston diameter [mm]	32	40	50	63	80	100	125	160	200	250	320	400
Thrust at 0,6 MPa [N]	482	754	1178	1870	3015	4713	7363	12064	18849	29460	48254	75398
Thrust at 0,6 MPa [N] with double ended piston rod	415	633	990	1682	2720	4418	6880	11581	18096	28274	46384	71657
Return force at 0,6 MPa [N]	415	633	990	1682	2720	4418	6880	11581	18096	28274	46384	71657
Connection	G1/8"	G1/4"	G1/4"	G3/8"	G3/8"	G1/2"	G1/2"	G3/4"	G3/4"	G1"	G1"	G1"
Length of adjustable cushioning [mm]	13	13	11	16	16	20	25	27	32	40	48	48
Max. stroke [mm] *	1000*	1000*	1000*	1000*	1500*	1500*	2000*	2000*	2000*	2000*	2000*	1500*
Weight 0 mm stroke [kg]	0,54	0,80	1,10	1,70	2,70	4,20	7,60	13,30	20,50	29,00	69,50	120,00
Weight add. per 1 mm stroke [kg]	0,0028	0,0037	0,0060	0,0062	0,0100	0,0110	0,0160	0,0280	0,0300	0,0340	0,0650	0,113
Weight 0 mm stroke [kg] with double ended piston rod	0,64	0,90	1,30	1,90	3,40	5,00	9,40	16,30	22,50	33,00	74,00	129,00
Weight add. per 1 mm stroke [kg] with double ended piston rod	0,0038	0,0047	0,0080	0,0082	0,0140	0,0150	0,0220	0,0400	0,0420	0,0460	0,0810	0,137

\*) Stroke of cylinder may be longer after agreement with our technical dept.

### Order codes

10101 60 00 050 0100

Type	Equipment	Options	Piston diameter	Stroke / Repair kit
10101	00	00	032	xxxx
	05	01	040	mm of stroke
	10	05*	050	e.g.: 0100 = stroke 100 mm
	15	10	063	9999
	50	11	080	repair kit
	55	13*	100	
	60	14	125	
	65	16	160	
		37	200	
		44	250	
			320	
			400	

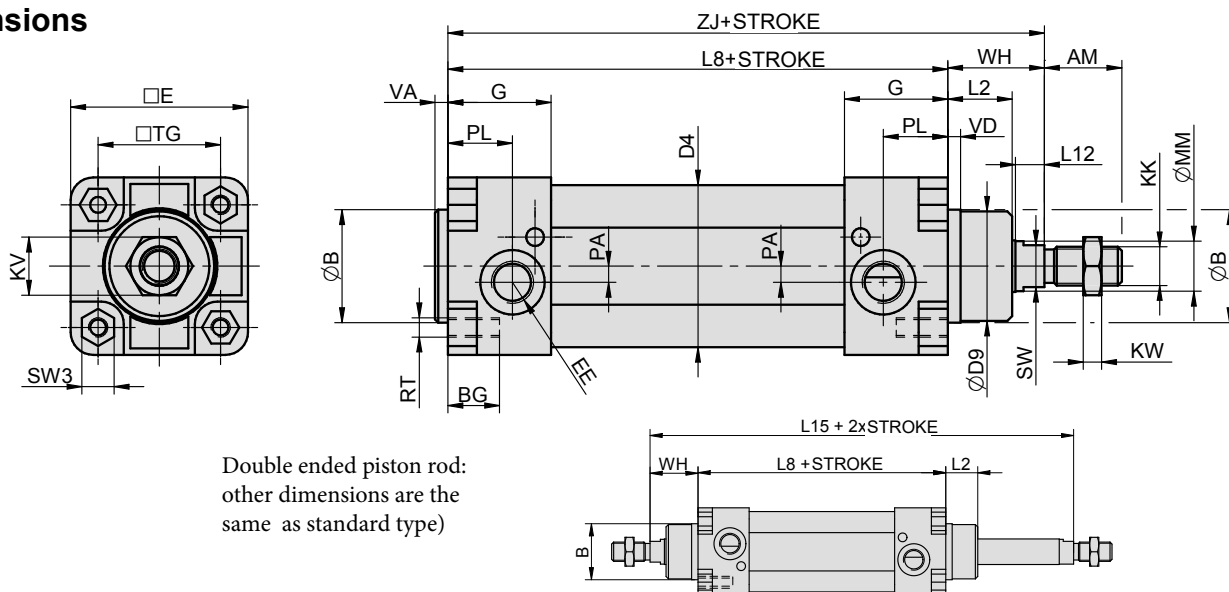
### Construction / materials

- caps: drawn dural profile, hard anodised, piston dia. 100 and more: aluminium casting, hard anodised
- body: drawn dural profile, hard anodized, piston dia. 125 and more: drawn dural tube, hard anodized, piston dia. 400: steel or composite sandwich plastic
- piston rod: grounded round steel bar CK45 with hard chrome plated surface

\*) For piston dia. 32 to 100 incl.

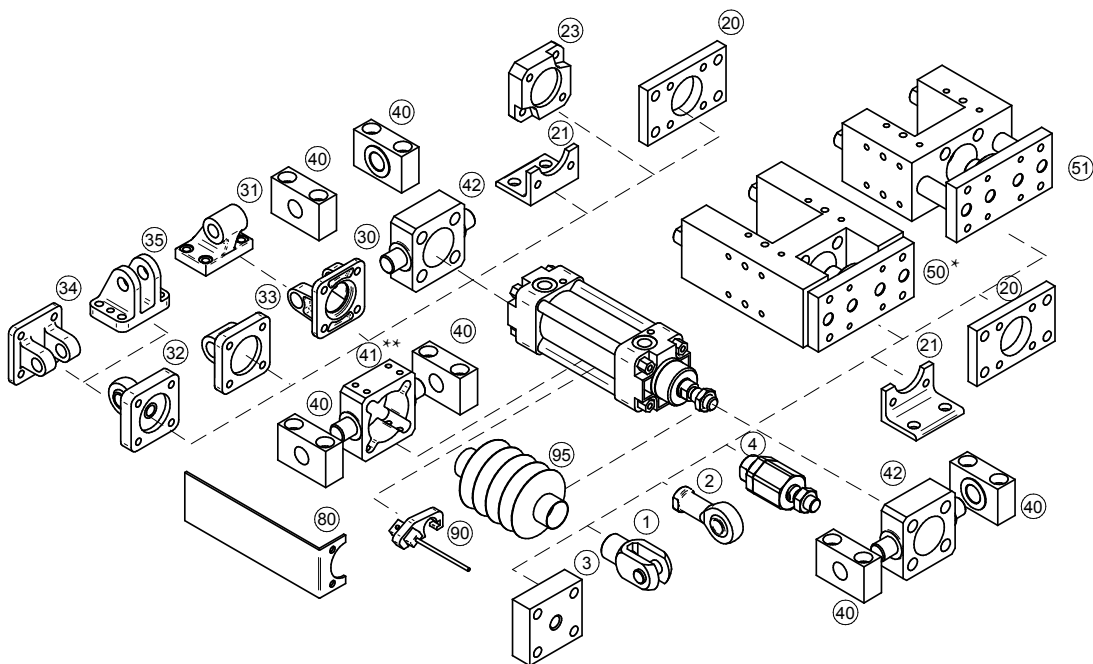
For more options regarding materials or dimensions, please contact our technical dept.

### Dimensions



Ø	AM	B	BG	D4	D9	E	EE	G	KK	KV	KW	L2	L8	L12	L15	MM	PA	PL	RT	SW	SW3	TG	VA	VD	WH	ZJ
32	22	30	16	36	28	48	G1/8"	31,5	M10x1,25	17	6	18	94	8	146	12	5	22,5	M6	10	10	32,5	4	4	26	120
40	24	35	16	45	34	55	G1/4"	32	M12x1,25	19	10	20	105	9	165	16	5	20	M6	13	10	38	4	4	30	135
50	32	40	19	55	39	65	G1/4"	30	M16x1,5	24	8	22	106	10	180	20	3	17	M8	16	14	46,5	4	5	37	143
63	32	45	19	68	44	75	G3/8"	30	M16x1,5	24	8	23	121	10	195	20	6	16	M8	16	14	56,5	4	5	37	158
80	40	45	19	86	44	94	G3/8"	30	M20x1,5	30	9	31	128	10	220	25	10	16	M10	21	17	72	4	5	46	174
100	40	55	19	106	54	115	G1/2"	36	M20x1,5	30	9	34	138	10	240	25	11	18	M10	21	17	89	4	17	51	189
125	54	60	20	132	58	140	G1/2"	40	M27x2	41	12	50	160	14	290	32	11	22	M12	27	22	110	6	6	65	225
160	72	65	24	168	64	185	G3/4"	50	M36x2	55	18	50	180	20	340	40	10	25	M16	36	30	140	6	10	80	260
200	72	75	24	212	74	235	G3/4"	50	M36x2	55	18	55	180	20	370	40	12	25	M16	36	30	175	6	20	95	275
250	84	90	32	262	84	270	G1"	54	M42x2	65	21	76	200	22	410	50	25	32	M20	46	36	220	10	10	105	305
320	96	110	30	340	100	350	G1"	57	M48x2	75	24	85	220	24	560	63	23	32	M24	55	41	270	10	35	120	340
400	96	110	28	420	100	430	G1"	57,5	M48x2	75	24	85	220	26	560	63	25	32	M24	55	41	350	10	35	120	340

### Mounting accessories



Mounting accessories	... see page
1 Piston rod clevis	... 4-2
2 Piston rod eye	... 4-3
3 Flanged piston rod coupl.	... 4-2
4 Self-align. piston rod coupl.	... 4-3
20 Flange mounting	... 4-6
21 Foot mounting	... 4-4
23 Boxer flange mounting	... 4-22
30 Swivel flange	... 4-8
31 Clevis foot mounting	... 4-8
32 Swivel flange with spherical bearing	... 4-10
33 Swivel flange	... 4-7
34 Narrow swivel flange	... 4-9
35 Rectangular swivel flange	... 4-9
40 Trunnion mounting	... 4-12
41 Pivot pin**	... 4-11
42 Pivot pin to front/end cap	... 4-12
50 Guide unit H with ball bearings*	... 4-18
51 Guide unit with slide bearings*	... 4-20
80 Valve bracket	... 4-22
90 Prox. switch	... 3-2, 3-4, 3-6, 3-9
95 Piston rod protective cover	... 4-23

\*) When guide unit H or U is used on cylinder with magnetic piston, it is necessary to use cylinder with tie rod version (option No. 13).  
There is no free space to mount switch bracket near the front cap when the profile tube is used (position for extend piston rod).  
)\*) Type of pivot pin should be selected accordingly to the cylinder profile/tube - with cutout for profile or for round tube.

# DOUBLE ACTING PNEUMATIC CYLINDERS WITH DOUBLE PISTON ROD VDMA 24562, NF E 49003.1



Mounting dimensions meets standard VDMA 24562. Fully adjustable cushioning at end of stroke is available. Using of double piston rod, the rotation of equipment mounted on connecting plate is prevented. This cylinder may not be efforded by torque. Piston rods are guided in slide bearings without clearance.

Working pressure	0,6 MPa
Min. pressure	0,15 MPa
Max. pressure	1,0 MPa
Temp. range	-20°C to +80°C
Working medium	modified compressed air

Piston diameter [mm]	32	40	50	63	80	100	125	160	200
Thrust at 0,6 MPa [N]	482	754	1178	1870	3015	4713	7363	12064	18849
Return force at 0,6 MPa [N]	422	660	1042	1735	2775	4335	6774	11098	17884
Connection	G1/8"	G1/4"	G1/4"	G3/8"	G3/8"	G1/2"	G1/2"	G3/4"	G3/4"
Length of adjustable cushioning [mm]	12	12	12	16	16	20	30	33	33
Max. stroke [mm] *	1000*	1000*	1000*	1000*	1500*	1500*	1500*	1500*	1500*
Weight 0 mm stroke [kg]	0,57	0,68	1,15	1,75	2,90	5,10	9,1	16,60	28,00
Weight add. per 1 mm stroke [kg]	0,003	0,003	0,005	0,007	0,008	0,009	0,017	0,0278	0,0285

\*) Stroke of cylinder may be longer after agreement with our technical dept.

## Order codes

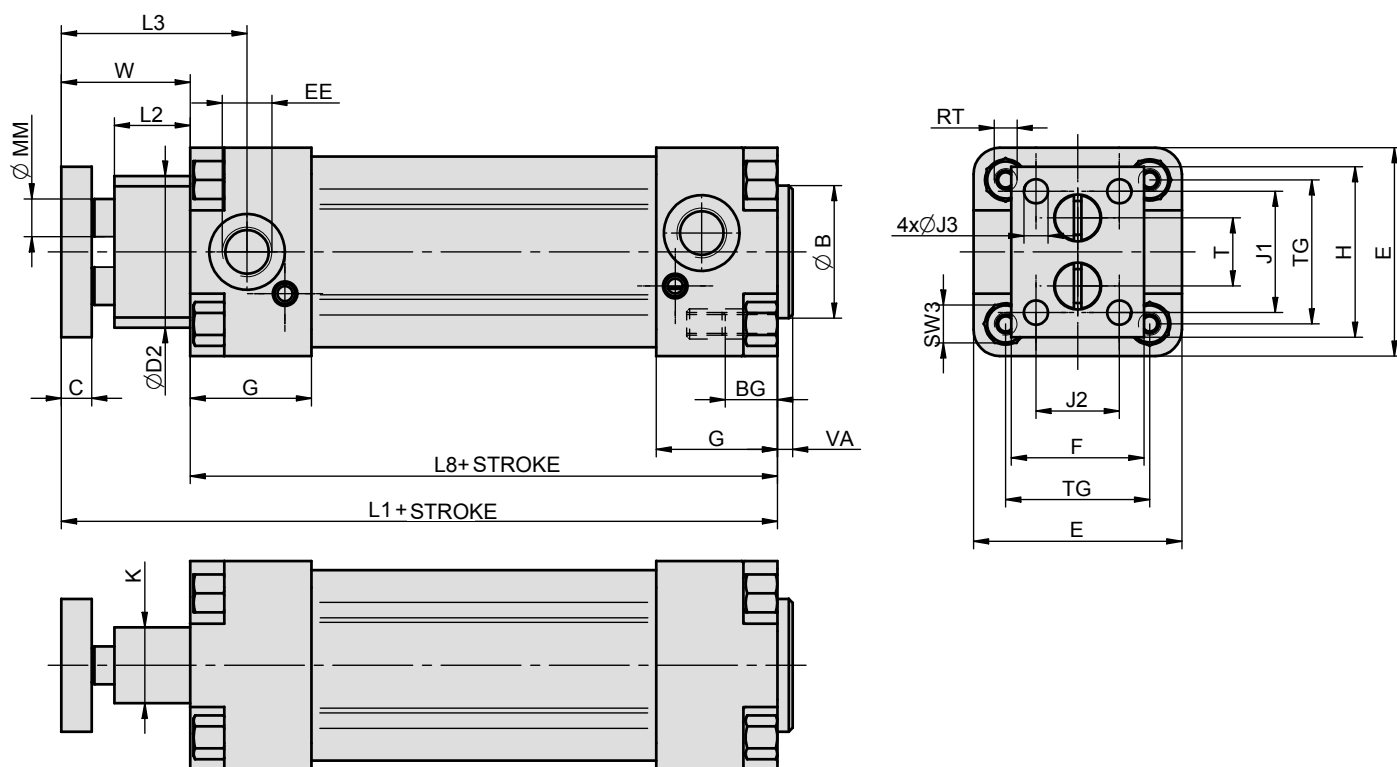
10115 61 00 050 0100

Type		Equipment		Options		Piston diameter		Stroke / Repair kit	
10115	to DIN ISO 6431, VDMA 24562, NF E 49003.1, double acting, with double piston rod	01	w/o cushioning, w/o magnet	00	without options	032	32 mm	xxxx	mm of stroke e.g.: 0100 = stroke 100 mm
		11	w/o cushioning, with magnet	01	1.4021 stainless steel piston rod	040	40 mm		
		51	with cushioning, w/o magnet	10	Viton® piston rod sealing	050	50 mm		
		61	with cushioning, with magnet	14	1.4301 stainless steel piston rod	063	63 mm		
				16	steel parts from stainless 1.4301 piston rod stainless 1.4401	080	80 mm		
				37	composite round tube+opt. 10 and 16	100	100 mm		
						125	125 mm		
						160	160 mm		
						200	200 mm		
								9999	repair kit

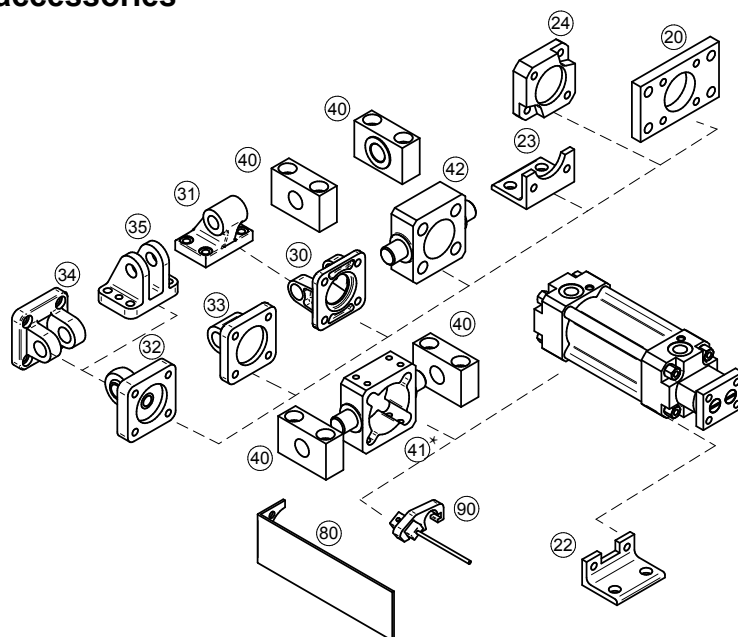
For more options regarding materials or dimensions, please contact our technical dept.

## Construction / materials

- front cap: drawn dural profile, hard anodised, end cap: aluminium casting, hard anodised
- body: drawn dural profile, hard anodized, piston dia. 125-200: drawn dural tube
- piston rod: grounded round steel bar CK45 with hard chrome plated surface

**Dimensions**


Ø	B	BG	C	D2	E	EE	F	G	H	J1	J2	J3	K	L1	L2	L3	L8	MM	RT	SW3	T	TG	VA	W
32	30	16	8	36	48	G1/8"	30	31,5	40	30	20	5,4	16	126	18	47	94	8	M6	10	14	32,5	4	32
40	35	16	8	40	55	G1/4"	35	32	45	32	22	6,4	20	139	20	49	105	10	M6	10	18	38	4	34
50	40	16	8	50	65	G1/4"	40	30	50	38	28	6,4	24	143	22	53	106	12	M8	14	25	46,5	4	37
63	45	17	8	60	75	G3/8"	45	30	60	45	30	6,4	28	158	22	53	121	12	M8	14	26	56,5	4	37
80	45	19	10	76	94	G3/8"	60	30	75	60	45	8,2	40	178	31	65	128	16	M10	17	40	72	4	50
100	55	19	12	90	115	G1/2"	70	36	90	75	55	8,2	50	192	34	72	138	20	M10	17	50	89	4	54
125	60	19	16	120	140	G1/2"	90	40	110	90	70	10,5	60	231	40	89	160	25	M12	22	62	110	6	71
160	65	24	18	150	185	G3/4"	100	50	140	110	80	10,5	70	253	40	98	180	32	M16	30	90	140	6	73
200	75	24	25	200	235	G3/4"	182	50	182	150	150	13	80	265	45	111,5	180	32	M16	30	120	175	6	85

**Mounting accessories**


Mounting accessories	... see page
20 Flange mounting	... 4-6
22 Foot mounting for front cap	... 4-4
23 Foot mounting	... 4-4
24 Boxer flange mounting	... 4-22
30 Swivel flange	... 4-8
31 Clevis foot mounting	... 4-8
32 Swivel flange with spherical bearing	... 4-10
33 Swivel flange	... 4-7
34 Narrow swivel flange	... 4-9
35 Rectangular swivel flange	... 4-9
40 Trunnion mounting	... 4-12
41 Pivot pin*	... 4-11
42 Pivot pin to front/end cap	... 4-12
80 Valve bracket	... 4-22
90 Prox. switch	... 3-2, 3-4, 3-6, 3-9

\*) Type of pivot pin should be selected accordingly to the cylinder profile/tube - with cutout for profile or for round tube.

# DOUBLE ACTING PNEUMATIC CYLINDERS WITH LOCK DEVICE VDMA 24562, NF E 49003.1



Cylinders are designed to meet the specifications of international standard VDMA 24562 for mounting. The cylinders can work in higher temperatures by request. Fully adjustable cushioning at end of stroke is available. Lock device is actuated by spring force and deactivated by compressed air. Lock device is self-locking.

Lock device is not a safety element! The user must take relevant safety precautions!



## Warning

Clamping force is purely static. When exceeding load, slipping of piston rod may occur, or piston rod and/or lock device can be damaged. Right connection and suitable designed control is necessary for impact free work. Please consult your connection with our technical dept.

Working pressure	0,6 MPa
Min. pressure	0,15 MPa
Max. pressure	1,0 MPa
Min. pressure for lock release	0,2 MPa
Locking direction	both direction
Temp. range	-20°C to +80°C *
Working medium	modified compressed air

\*) values are valid for standard gaskets

Piston diameter [mm]	32	40	50	63	80	100
Thrust at 0,6 MPa [N]	482	754	1178	1870	3015	4713
Thrust at 0,6 MPa [N] with double ended piston rod	415	633	990	1682	2720	4418
Return force at 0,6 MPa [N]	415	633	990	1682	2720	4418
Static clamping force [N]	>482	>754	>1178	>1870	>3015	>4713
Connection	G1/8"	G1/4"	G1/4"	G3/8"	G3/8"	G1/2"
Length of adjustable cushioning [mm]	13	13	11	16	16	20
Max. stroke [mm] *	1000*	1000*	1000*	1000*	1000*	1000*
Weight 0 mm stroke [kg]	1,15	1,62	2,80	3,90	6,20	9,80
Weight add. per 1 mm stroke [kg]	0,0028	0,0037	0,0060	0,0062	0,0100	0,0110
Weight 0 mm stroke [kg] with double ended piston rod	1,25	1,72	3,00	4,10	6,90	10,60
Weight add. per 1 mm stroke [kg] with dbl. ended piston rod	0,0038	0,0047	0,0080	0,0082	0,0140	0,0150

\*) Stroke of cylinder may be longer after agreement with our technical dept.

## Order codes

10110 60 00 050 0100

Type	Equipment	Options	Piston diameter	Stroke / Repair kit
10110	00	00	032	xxxx
to DIN ISO 6431, VDMA 24562, NF E 49003.1, double acting, with lock device	w/o cushioning, w/o magnet	without options	32 mm	mm of stroke
	05	11	040	040
	double ended piston rod, w/o cushioning, w/o magnet	Viton® gaskets (up to 180°C)	50	50 mm
	10	14	063	063
	w/o cushioning, with magnet	1.4301 stainless steel piston rod	080	80 mm
	15		100	100 mm
	double ended piston rod, w/o cushioning, with magnet			
	50			
	with cushioning, w/o magnet			
	55			
	double ended piston rod, with cushioning, w/o magnet			
	60			
	with cushioning, with magnet			
	65			
	double ended piston rod, with cushioning, with magnet			

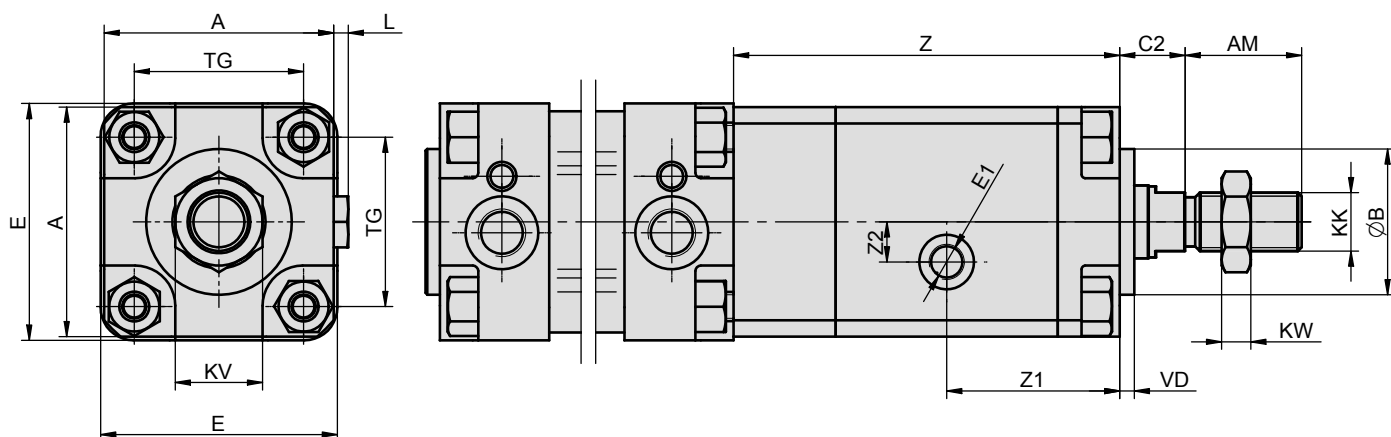
For more options regarding materials or dimensions, please contact our technical dept.

## Construction / materials

- caps: drawn dural profile, hard anodised, piston dia. 100: aluminium casting, hard anodised
- body: drawn dural profile, hard anodized
- piston rod: grounded round steel bar CK45 with hard chrome plated surface



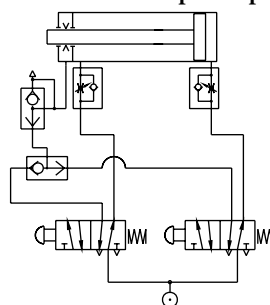
## Dimensions



∅	A	AM	B	C2	E	E1	KK	KV	KW	L	TG	VD	Z	Z1	Z2
32	45	22	30	13,5	48	G1/8"	M10x1,25	16	5	4	32,5	4	95	47	5
40	56	24	35	16	55	G1/8"	M12x1,25	18	6	4	38	4	107	49,5	9
50	63	32	40	18	65	G1/8"	M16x1,5	24	8	4	46,5	4	106	46,5	11
63	70	32	45	18	75	G1/8"	M16x1,5	24	8	4	56,5	4	116	52,5	11
80	90	40	45	18	94	G1/8"	M20x1,5	30	10	5	72	5	150	65	18
100	110	43	55	18	115	G1/8"	M20x1,5	30	10	5	89	5	158	66,5	18

For dimensions of pneumatic cylinder on which the lock device is attached, see page 2-5

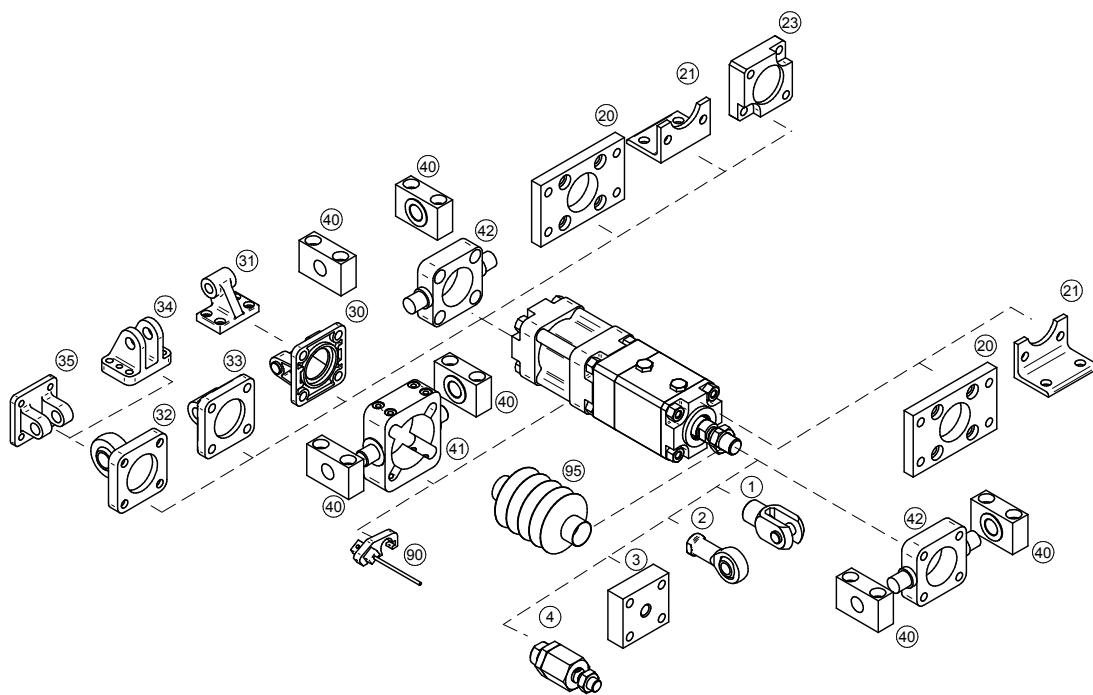
## Connection example for pushbutton control:



Pressing the left pushbutton, the lock unit will unclamp and air which flows through right push-button into cylinder will extend it. After release pushbutton, compressed air is released from lock unit, which clamps piston rod and cylinder stops. For quick stopping of cylinder, the quick exhaust valve is used. The im-

portant on this connection is, that both chambers of cylinder are still with compressed air and for motion control discharging of air from particular chambers is used, which prevents from impacts or unwanted counter-movements.

## Mounting accessories



Mounting accessories	... see page
1 Piston rod clevis	... 4-2
2 Piston rod eye	... 4-3
3 Flanged piston rod coupling	... 4-2
4 Self-aligning piston rod coupling	... 4-3
20 Flange mounting	... 4-6
21 Foot mounting	... 4-4
23 Boxer flange mounting	... 4-22
30 Swivel flange	... 4-8
31 Clevis foot mounting	... 4-8
32 Swivel flange with spherical bearing	... 4-10
33 Swivel flange	... 4-7
34 Narrow swivel flange	... 4-9
35 Rectangular swivel flange	... 4-9
40 Trunnion mounting	... 4-12
41 Pivot pin	... 4-11
42 Pivot pin to front/end cap	... 4-12
90 Prox. switch	... 3-2, 3-4, 3-6, 3-9
95 Piston rod protective cover	... 4-23

# DOUBLE ACTING PNEUMATIC CYLINDERS

## ISO 15552, VDMA 24562, NF E 49003.1

### WITH END-POSITION LOCKING



Modern design, quality processing and high-quality of used parts - there are characteristics of new cylinders series. Cylinders are equipped with automatic locking device in one or both end positions. When air supply failure occur, cylinder is locked in end position. Release is made automatically after air supply is restored. Dimensions conforms to the international standards ISO 6431, VDMA 24562 and NF E 49003.1, that is why it can replace pneumatic cylinder, which is made by any producer to these standards. Fully adjustable cushioning at end of stroke and magnet for proximity switches are standard for this series. The proximity switches can be mounted directly to the tube's groove - so no brackets are necessary.

Working pressure	0,6 MPa
Min. pressure	0,1 MPa
Max. pressure	1,0 MPa
Temp. range	-20°C to +80°C
Working medium	modified compressed air

Piston diameter [mm]	32	40	50	63
Thrust at 0,6 MPa [N]	482	754	1178	1870
Thrust at 0,6 MPa [N] with double ended piston rod	415	633	990	1682
Return force at 0,6 MPa [N]	415	633	990	1682
Connection	G1/8"	G1/4"	G1/4"	G3/8"
Length of adjustable cushioning [mm]	17	17	17	16
Max. stroke [mm] *	1000*	1000*	1000*	1000*
Working speed [mm/s]	50 to 500			
Min. stroke for proximity sensing [mm]	17	21	25	25
Weight 0 mm stroke [kg]	0,50	0,78	1,38	1,81
Weight add. per 1 mm stroke [kg]	0,003	0,004	0,007	0,007
Weight 0 mm stroke [kg] with double ended piston rod	0,56	0,88	1,48	2,01
Weight add. per 1 mm stroke [kg] with dbl. ended piston rod	0,004	0,006	0,009	0,009

\*) Stroke of cylinder may be longer after agreement with our technical dept.

## Order codes

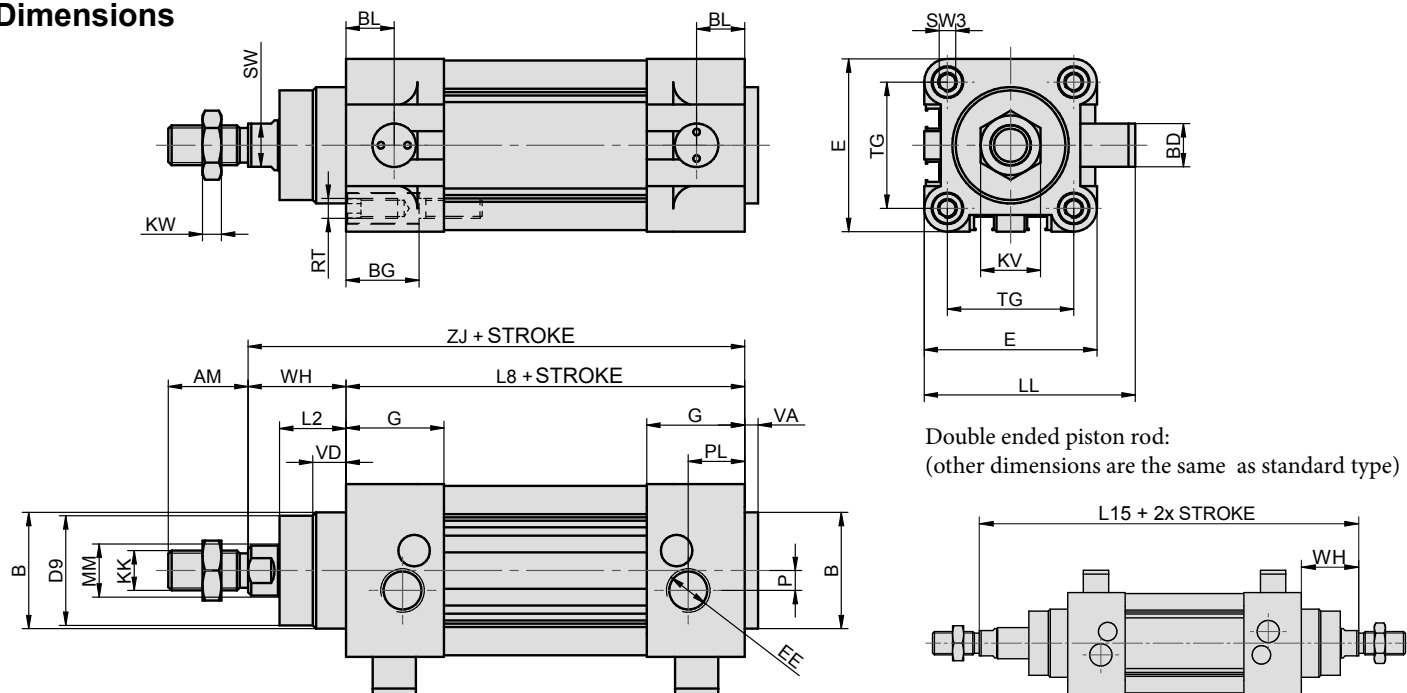
10213 60 00 050 0100

Type	Equipment	Options	Piston diameter	Stroke / Repair kit
10211 to ISO 15552, double acting, locking in advanced position	60 with cushioning, with magnet	00 without options	032 32 mm	xxxx mm of stroke e.g.: 0100 = stroke 100 mm
10212 to ISO 15552, double acting, locking in retracted position	65 with double ended piston rod, with cushioning, with magnet	01 1.4021 stainless steel piston rod	040 40 mm	
10213 to ISO 15552, double acting, locking in both positions		14 1.4301 stainless steel piston rod	050 50 mm	
			063 63 mm	9999 repair kit

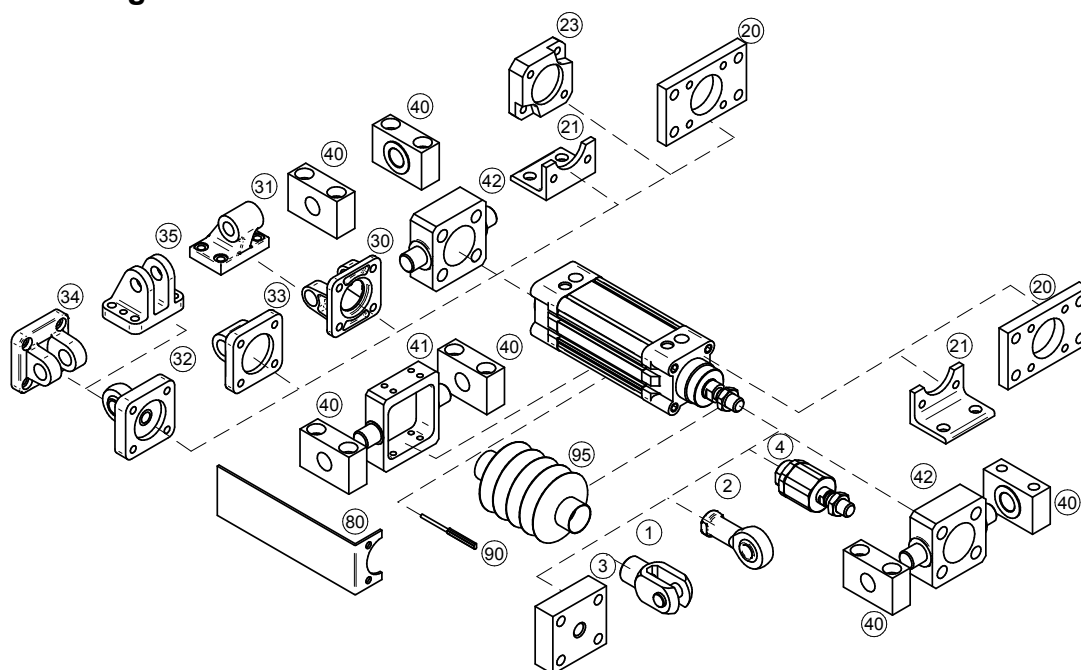
For more options regarding materials or dimensions, please contact our technical dept.

## Construction / materials

- caps: aluminium mold casting
- body: drawn dural profile, hard anodized
- piston rod: grounded round steel bar CK45 with hard chrome plated surface

**Dimensions**


∅	AM	B	BD	BG	BL	D9	E	EE	G	KK	KV	KW	LL	L2	L8	L15	MM	P	PL	RT	SW	SW3	TG	VA	VD	WH	ZJ
32	22	30	13	16	11	28	45	G1/8"	25	M10x1,25	17	6	58,5	18	94	146	12	5	16	M6	10	6	32,5	4	10	26	120
40	24	35	13	16	14,5	33	54	G1/4"	30	M12x1,25	19	7	63,5	21,5	105	165	16	6	14	M6	13	6	38	4	11	30	135
50	32	40	16	14	15	39	65	G1/4"	30	M16x1,5	24	8	79	22	106	180	20	3	17	M8	16	8	46,5	4	5	37	143
63	32	45	16	17	15	44	75	G3/8"	30	M16x1,5	24	8	84	23	121	195	20	10	16	M8	16	14	56,5	4	5	37	158

**Mounting accessories**


Mounting accessories	... see page
1 Piston rod clevis	... 4-2
2 Piston rod eye	... 4-3
3 Flanged piston rod coupling	... 4-2
4 Self-aligning piston rod coupling	... 4-3
20 Flange mounting	... 4-6
21 Foot mounting	... 4-4
23 Boxer flange mounting	... 4-22
30 Swivel flange	... 4-8
31 Clevis foot mounting	... 4-8
32 Swivel flange with spherical bearing	... 4-10
33 Swivel flange	... 4-7
34 Narrow swivel flange	... 4-9
35 Rectangular swivel flange	... 4-9
40 Trunnion mounting	... 4-12
41 Pivot pin	... 4-10
42 Pivot pin to front/end cap	... 4-12
80 Valve bracket	... 4-22
90 Proximity switch	... 3-2, 3-4
90 Proportional position sensor with analog output	... 3-8
95 Piston rod protective cover	... 4-23

# DOUBLE ACTING PNEUMATIC CYLINDERS TANDEM VDMA 24562, NF E 49003.1



Tandem cylinder is built-up from two or three cylinders, has common piston rod and almost double or triple thrust and return force. Cylinders are designed to meet the specifications of international standard ISO 6431, VDMA 24562 a NF E 49003.1 for mounting. The cylinders can work in higher temperatures by request. Fully adjustable cushioning at end of stroke is available.

Working pressure	0,6 MPa
Min. pressure	0,15 MPa
Max. pressure	1,0 MPa
Temp. range	-20°C to +80°C *
Working medium	modified compressed air

\*) values are valid for standard gaskets

Piston diameter [mm]	63	80	100	125	160	200	250	320
Thrust at 0,6 MPa [N] for double tandem	3552	5737	9130	14243	23373	36945	57726	94639
Return force at 0,6 MPa [N] for double tandem	3363	5442	8835	13761	22618	36192	56548	92769
Thrust at 0,6 MPa [N] for triple tandem	5234	8458	13548	21124	34682	55041	86002	141023
Return force at 0,6 MPa [N] for triple tandem	5045	8164	13253	20641	33927	54288	84823	139153
Connection	G3/8"	G3/8"	G1/2"	G1/2"	G3/4"	G3/4"	G1"	G1"
Length of adjustable cushioning [mm]	16	20	25	25	32	32	36	48
Max. stroke [mm] *	500*	1000*	1000*	1000*	1000*	1000*	1000*	1000*
Weight 0 mm stroke [kg] for double tandem	2,83	5,5	7,2	12,7	26,1	37,3	52,5	105,0
Weight add. per 1 mm stroke [kg] for double tandem	0,010	0,014	0,020	0,026	0,044	0,054	0,060	0,120
Weight 0 mm stroke [kg] for triple tandem	4,00	8,2	10,2	17,8	38,9	54,1	76,0	140,0
Weight add. per 1 mm stroke [kg] for triple tandem	0,014	0,019	0,029	0,036	0,060	0,078	0,086	0,175

\*) Stroke of cylinder may be longer after agreement with our technical dept.

## Order codes

10122 60 00 160 0100

Type	Equipment	Options	Piston diameter	Stroke / Repair kit
10122 double tandem, double acting	00 w/o cushioning, w/o magnet	00 without options	063 63 mm	xxxx mm of stroke e.g.: 0100 = stroke 100 mm
10123 triple tandem, double acting	05 double ended piston rod, w/o cushioning, w/o magnet	01 1.4021 stainless steel piston rod	080 80 mm	9999 repair kit
	10 w/o cushioning, with magnet	10 Viton® piston rod sealing	100 100 mm	
	15 double ended piston rod, w/o cushioning, with magnet	11 Viton® gaskets (up to 180°C)	125 125 mm	
	50 with cushioning, w/o magnet	13* tie rod version	160 160 mm	
	55 double ended piston rod, with cushioning, w/o magnet	14 1.4301 stainless steel piston rod	200 200 mm	
	60 with cushioning, with magnet	16 steel parts from stainless 1.4301 piston rod stainless 1.4401	250 250 mm	
	65 double ended piston rod, with cushioning, with magnet	37 composite round tube+opt. 10 and 16	320 320 mm	

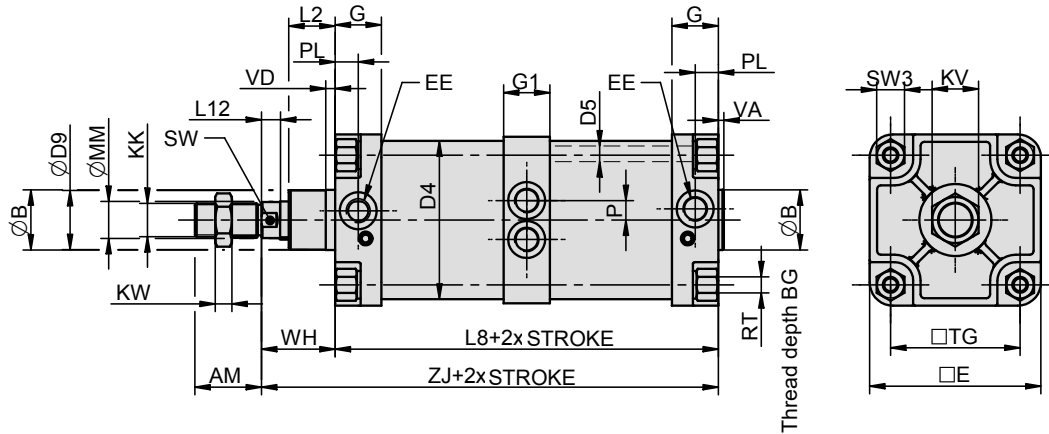
For more options regarding materials or dimensions, please contact our technical dept.

\*) For piston dia. 63 to 100 incl.

## Construction / materials

- caps: drawn dural profile, hard anodised, piston dia. 100 and more: aluminium casting, hard anodised
- centre part: drawn dural profile, hard anodized
- body: drawn dural profile, hard anodized, piston dia. 125 and more: drawn dural tube, hard anodized
- piston rod: grounded round steel bar CK45 with hard chrome plated surface

### Dimensions

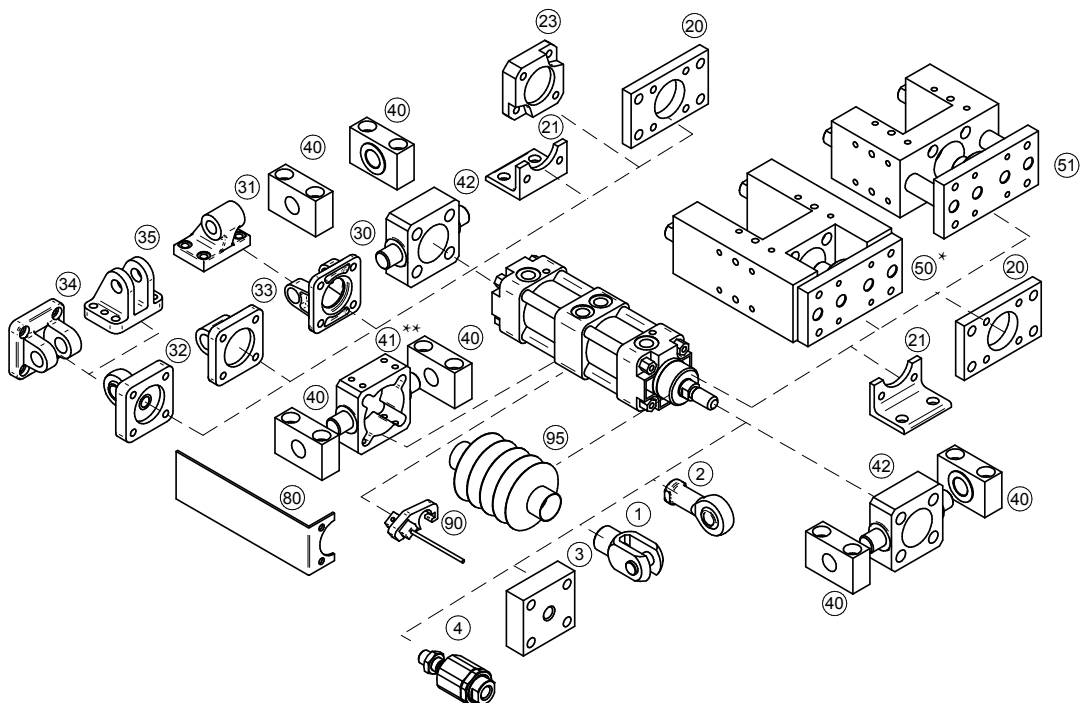


$\varnothing$	AM	B	BG	D4	D5	D9	E	EE	G	G1	KK	KV	KW	L2	L8*	L8**	L12	MM	P	PL	RT	SW	SW3	TG	VA	VD	WH	ZJ*	ZJ**
63	32	45	17	68	8	44	75	G3/8"	30	26	M16x1,5	24	8	23	208*	295**	10	20	6	16	M8	16	14	56,5	4	5	37	245*	332**
80	40	45	19	86	10	44	95	G3/8"	30	30	M20x1,5	30	9	31	226*	324**	10	25	16	16	M10	21	17	72	4	5	46	272*	370**
100	40	55	19	106	10	54	115	G1/2"	36	36	M20x1,5	30	9	34	240*	342**	10	25	16	18	M10	21	17	89	4	17	51	291*	393**
125	54	60	20	132	12	58	140	G1/2"	40	32	M27x2	41	12	50	272*	384**	14	32	16	22	M12	27	22	110	6	6	65	337*	449**
160	72	65	24	171	16	64	185	G3/4"	50	50	M36x2	50	14	50	314*	446**	20	40	21	25	M16	36	30	140	6	10	80	394*	526**
200	72	75	24	210	16	74	235	G3/4"	50	50	M36x2	50	14	55	310*	440**	20	40	25	25	M16	36	30	175	6	20	95	405*	535**
250	84	90	30	262	20	84	270	G1"	54	54	M42x2	65	21	76	346*	492**	22	50	32	32	M20	46	36	220	10	10	105	451*	597**
320	96	110	30	340	24	100	350	G1"	57	57	M48x2	75	24	85	383*	546**	27	63	23	32	M24	55	41	270	10	35	120	503*	666**

\*) Values are valid for double tandem

\*\*\*) Values are valid for triple tandem

### Mounting accessories



Mounting accessories	... see page
1 Piston rod clevis	... 4-2
2 Piston rod eye	... 4-3
3 Flanged piston rod coupling	... 4-2
4 Self-aligning piston rod coupling	... 4-3
20 Flange mounting	... 4-6
21 Foot mounting	... 4-4
23 Boxer flange mounting	... 4-22
30 Swivel flange	... 4-8
31 Clevis foot mounting	... 4-8
32 Swivel flange with spherical bearing	... 4-10
33 Swivel flange	... 4-7
34 Narrow swivel flange	... 4-9
35 Rectangular swivel flange	... 4-9
40 Trunnion mounting	... 4-12
41 Pivot pin**	... 4-11
42 Pivot pin to front/end cap	... 4-12
50 Guide unit H with ball bearings*	... 4-18
51 Guide unit with slide bearings*	... 4-20
80 Valve bracket	... 4-22
90 Prox. switch	... 3-2, 3-4, 3-6, 3-9
95 Piston rod protective cover	... 4-23

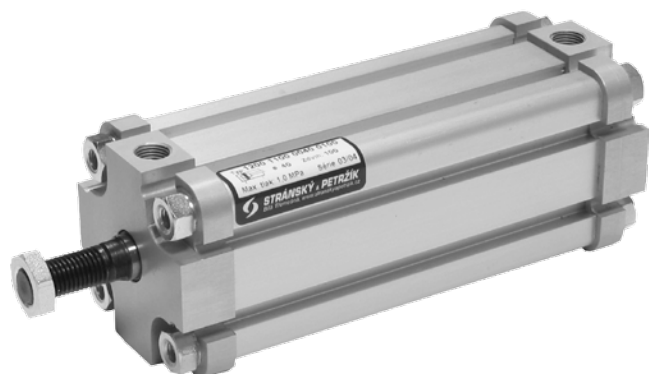
\*) When guide unit H or U is used on cylinder with magnetic piston, it is necessary to use cylinder with tie rod version (option No. 13).

There is no free space to mount switch bracket near the front cap when the profile tube is used (position for extend piston rod).

\*\*\*) Type of pivot pin should be selected accordingly to the cylinder profile/tube - with cutout for profile or for round tube.



# DOUBLE ACTING PNEUMATIC CYLINDERS COMPACT



Compact cylinders are smaller than standard cylinders and they are suitable especially, when there isn't enough space for standard cylinder. Dimensions of mounting holes meets international standards ISO 6431, VDMA 24562 and NF E 49003.1, that is why standard mounting accessories can be used. There are bumpers in both end positions.

Working pressure	0,6 MPa
Min. pressure	0,15 MPa
Max. pressure	1,0 MPa
Temp. range	-20°C to +80°C *
Working medium	modified compressed air

\*) values are valid for standard gaskets

Piston diameter [mm]	32	40	50	63	80	100
Thrust at 0,6 MPa [N]	482	754	1178	1870	3015	4713
Thrust at 0,6 MPa [N] with double ended piston rod	415	662	1025	1717	2720	4484
Return force at 0,6 MPa [N]	415	662	1025	1717	2720	4484
Connection	G1/8"	G1/8"	G1/8"	G1/8"	G1/8"	G1/4"
Max. stroke [mm] *	150*	150*	200*	200*	200*	200*
Weight 0 mm stroke [kg]	0,24	0,34	0,50	0,72	1,20	1,89
Weight add. per 1 mm stroke [kg]	0,0020	0,0034	0,0047	0,0055	0,0076	0,0095
Weight 0 mm stroke [kg] with double ended piston rod	0,28	0,36	0,55	0,76	1,30	2,07
Weight add. per 1 mm stroke [kg] with dbl. ended piston rod	0,0040	0,0044	0,0065	0,0067	0,0103	0,0131

\*) Stroke of cylinder may be longer after agreement with our technical dept.

## Order codes

**12001 10 00 050 0100**

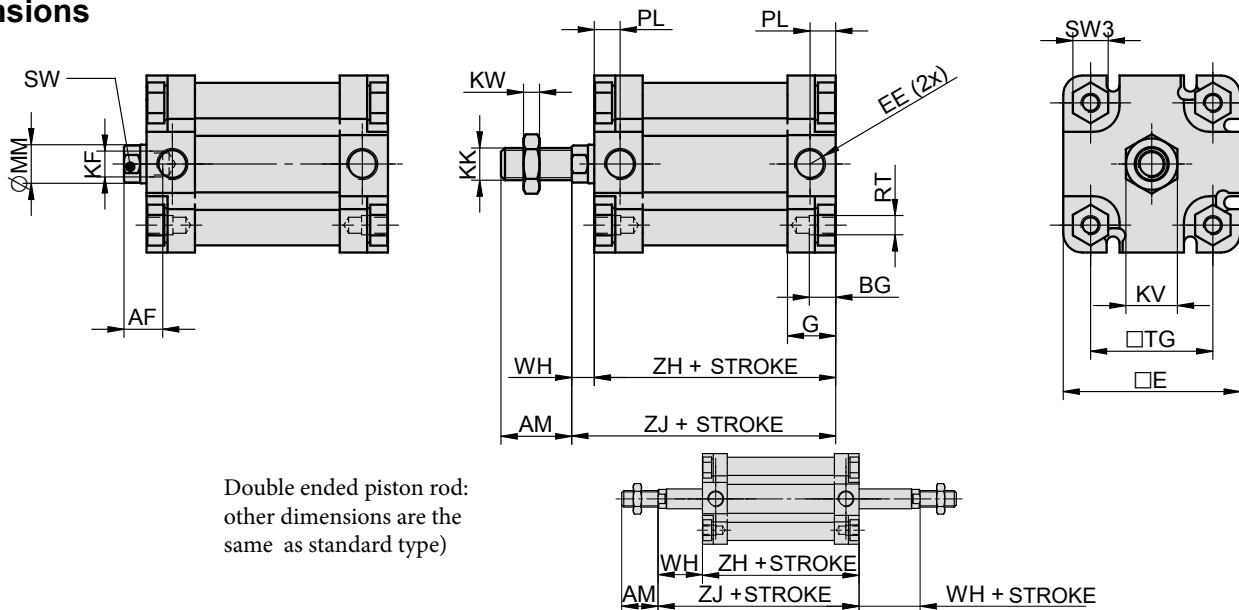
Type		Equipment		Options		Piston diameter		Stroke / Repair kit	
12001	compact, double acting	00	w/o magnet, external thread	00	without options	032	32 mm	xxxx	mm of stroke e.g.: 0100 = stroke 100 mm
		01	w/o magnet, internal thread	01	1.4021 stainless steel piston rod	040	40 mm	9999	repair kit
		05	with double ended piston rod, w/o magnet, external thread	02	steel parts from stainless 1.4301 piston rod stainless 1.4021	050	50 mm		
		06	with double ended piston rod, w/o magnet, internal thread	14	1.4301 stainless steel piston rod	063	63 mm		
		10	with magnet, external thread	16	steel parts from stainless 1.4301 piston rod stainless 1.4401	080	80 mm		
		11	with magnet, internal thread			100	100 mm		
		15	with double ended piston rod, with magnet, external thread						
		16	with double ended piston rod, with magnet, internal thread						

For more options regarding materials or dimensions, please contact our technical dept.

## Construction / materials

- caps: aluminium mold casting
- body: drawn dural profile, hard anodized
- piston rod: grounded round steel bar CK45 with hard chrome plated surface

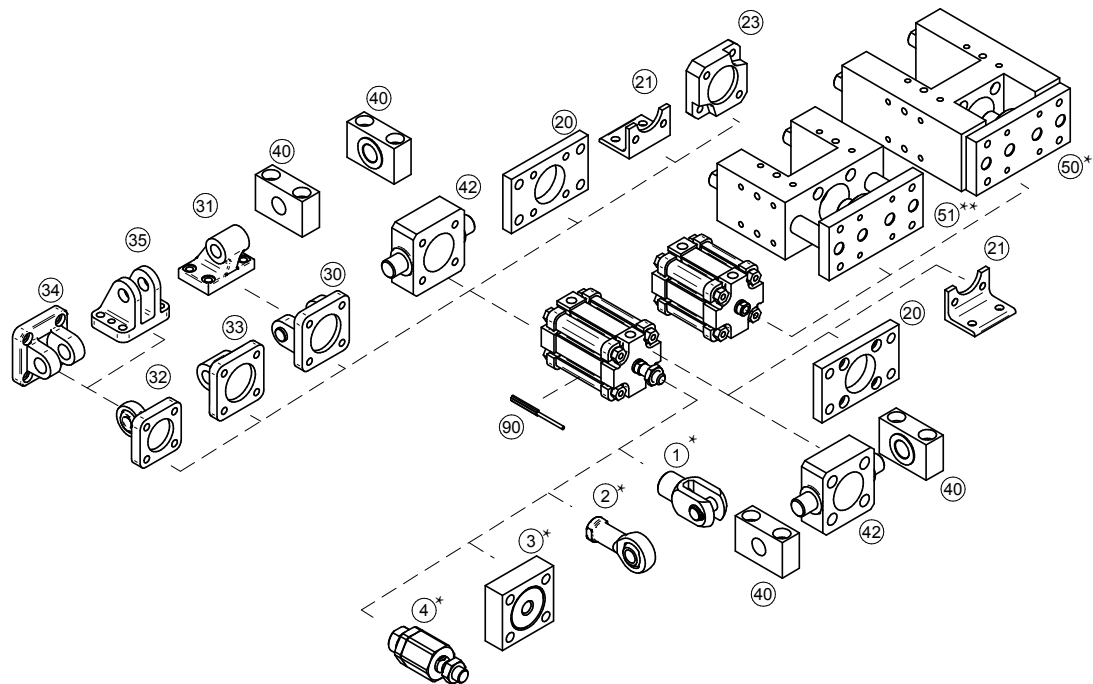
## Dimensions



Double ended piston rod:  
other dimensions are the same as standard type)

∅	AF	AM	BG	E	EE	G	KF	KK	KV	KW	MM	PL	RT	SW	SW3	TG	WH	ZH	ZJ
32	12	22	9	48	G1/8"	15	M8	M10x1,25	17	6	12	8	M6	10	11	32,5	7	45	52
40	12	22	9	55	G1/8"	15	M8	M10x1,25	17	6	12	8	M6	10	11	38	7	45	52
50	16	24	9	65	G1/8"	15	M10	M12x1,25	19	10	16	8	M8	13	14	46,5	8	45	53
63	16	24	9	75	G1/8"	15	M10	M12x1,25	19	10	16	8	M8	13	14	56,5	8	49	57
80	20	32	11	95	G1/8"	17	M12	M16x1,5	24	8	20	8,5	M10	16	17	72	10	54	64
100	22	40	11	115	G1/4"	20	M12	M20x1,5	30	9	25	10,5	M10	21	17	89	10	62	72

## Mounting accessories



Mounting accessories	... see page
1 Piston rod clevis*	... 4-2
2 Piston rod eye*	... 4-3
3 Flanged piston rod coupling*	... 4-2
4 Self-aligning piston rod coupling*	... 4-3
20 Flange mounting	... 4-6
21 Foot mounting	... 4-4
23 Boxer flange mounting	... 4-22
30 Swivel flange	... 4-8
31 Clevis foot mounting	... 4-8
32 Swivel flange with spherical bearing	... 4-10
33 Swivel flange	... 4-7
34 Narrow swivel flange	... 4-9
35 Rectangular swivel flange	... 4-9
40 Trunnion mounting	... 4-12
42 Pivot pin to front/end cap	... 4-12
50 Guide unit H with ball bearings	... 4-18
51 Guide unit with slide bearings	... 4-20
90 Prox. switch	... 3-2, 3-4, 3-6
90 Proportional position sensor with analog output	... 3-8

\*) Please check dimensions of thread on cylinder and accessories for piston rod, before you order it (for example: compact cylinder piston dia. 40 mm has thread M10x1,25 on piston rod, piston rod clevis for cylinder dia. 40 has thread M12x1,25, so it is necessary to order piston rod clevis for cylinder dia. 25/30, where is thread M10x1,25).

\*\*) For use this cylinder type with guide unit, the cylinder must be equipped with internal thread on piston rod.

# DOUBLE ACTING PNEUMATIC CYLINDERS

## CNOMO 06.07.02

Cylinders are designed to meet the specifications of international standard CETOP. Fully adjustable cushioning at end of stroke and magnetic piston for proximity sensing are available. Another materials of components and seals are available on request.

We recommend to use cylinders to ISO 15552 and VDMA 24562 for new designs.



Working pressure	0,6 MPa
Min. pressure	0,15 MPa
Max. pressure	1,0 MPa
Temp. range	-20°C to +80°C *
Working medium	modified compressed air

\*) values are valid for standard gaskets

Piston diameter [mm]	32	40	50	63	80	100	125	160	200
Thrust at 0,6 MPa [N]	482	754	1178	1870	3015	4713	7363	12064	18849
Thrust at 0,6 MPa [N] with double ended piston rod	415	633	990	1682	2720	4418	6880	11581	18096
Return force at 0,6 MPa [N]	415	633	990	1682	2720	4418	6880	11581	18096
Connection	G1/8"	G1/4"	G1/4"	G3/8"	G3/8"	G1/2"	G1/2"	G3/4"	G3/4"
Length of adjustable cushioning [mm]	12	11	11	16	9	16	15	20	20
Max. stroke [mm] *	1000*	1000*	1000*	1000*	1500*	1500*	2000*	2000*	2000*
Weight 0 mm stroke [kg]	0,44	0,91	1,36	2,07	3,25	5,10	7,70	16,50	23,10
Weight add. per 1 mm stroke [kg]	0,003	0,004	0,005	0,006	0,007	0,012	0,013	0,023	0,027
Weight 0 mm stroke [kg] with double ended piston rod	0,55	1,03	1,77	2,74	4,31	6,65	10,80	19,79	27,33
Weight add. per 1 mm stroke [kg] with double ended piston rod	0,004	0,006	0,007	0,009	0,010	0,017	0,018	0,033	0,037

\*) Stroke of cylinder may be longer after agreement with our technical dept.

### Order codes

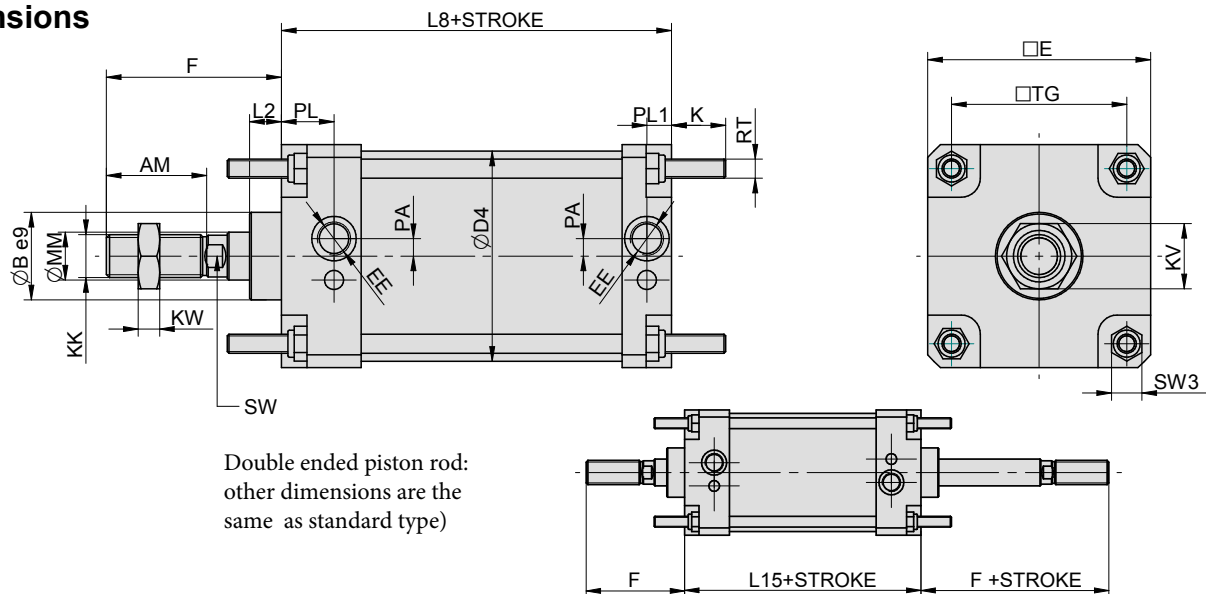
11401 60 00 050 0100

Type		Equipment		Options		Piston diameter		Stroke / Repair kit	
11401	CNOMO 06.07.02, double acting	00	w/o cushioning, w/o magnet	00	without options	032	32 mm	xxxx	mm of stroke e.g.: 0100 = stroke 100 mm
		05	with double ended piston rod, w/o cushioning, w/o magnet	10	Viton® piston rod sealing	040	40 mm	9999	repair kit
		10	w/o cushioning, with magnet	11	Viton® gaskets (up to 180°C)	050	50 mm		
		15	with double ended piston rod, w/o cushioning, with magnet	14	1.4301 stainless steel piston rod	063	63 mm		
		50	with cushioning, w/o magnet	16	steel parts from stainless 1.4301 piston rod stainless 1.4401	080	80 mm		
		55	with double ended piston rod, with cushioning, w/o magnet	37	composite round tube+opt. 10 and 16	100	100 mm		
		60	with cushioning, with magnet			125	125 mm		
		65	with double ended piston rod, with cushioning, with magnet			160	160 mm		
						200	200 mm		

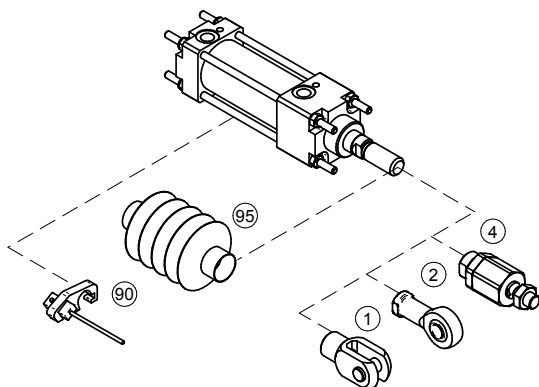
For more options regarding materials or dimensions, please contact our technical dept.

### Construction / materials

- caps: drawn aluminium alloy profile
- body: drawn dural tube, hard anodized
- piston rod: grounded round steel bar CK45 with hard chrome plated surface

**Dimensions**


∅	AM	B	D4	E	EE	F	K	KK	KV	KW	L2	L8	L15	MM	PA	PL	PL1	RT	SW	SW3	TG
32	20	25	36	45	G1/8"	45	17	M10	16	5	15	80	90	12	2	21,5	11,5	M6	8	10	33
40	36	32	45	52	G1/4"	70	17	M16x1,5	24	8	15	110	129	18	5	34	15	M6	13	10	40
50	36	32	55	65	G1/4"	70	23	M16x1,5	24	8	15	110	129	18	3	33,5	14,5	M8	13	13	49
63	46	45	68	75	G3/8"	85	23	M20x1,5	30	10	20	125	146	22	10	34	13	M8	17	13	59
80	46	45	86	95	G3/8"	85	28	M20x1,5	30	10	20	125	146	22	10	34	13	M10	17	17	75
100	63	55	106	115	G1/2"	110	28	M27x2	41	13,5	20	145	164	30	11	31	15	M10	22	17	90
125	63	55	132	140	G1/2"	110	34	M27x2	41	13,5	20	145	164	30	11	33	15,5	M12	22	19	110
160	85	65	167	180	G3/4"	135	42	M36x2	50	18	25	180	200	40	11	37	20	M16	32	24	140
200	85	65	210	220	G3/4"	135	42	M36x2	50	18	25	180	200	40	11	37	20	M16	32	24	175

**Mounting accessories**


Mounting accessories	... see page
1 Piston rod clevis	... 4-2
2 Piston rod eye	... 4-3
4 Self-align. piston rod coupl.	... 4-3
90 Prox. switch	... 3-2, 3-4
95 Piston rod protective cover	... 4-23

# DOUBLE ACTING PNEUMATIC CYLINDERS DIN ISO 6432

Cylinders are designed to meet the specifications of international standard ISO 6432. The cylinders can work in higher temperatures by request. There is no cushioning at the end of stroke.



Working pressure	0,6 MPa
Min. pressure	0,15 MPa
Max. pressure	1,0 MPa
Temp. range	-20°C to +80°C *
Working medium	modified compressed air

\*) values are valid for standard gaskets

Piston diameter [mm]	12	16
Thrust at 0,6 MPa [N]	66	121
Thrust at 0,6 MPa [N] with double ended piston rod	50	102
Return force at 0,6 MPa [N]	50	102
Connection	M5	M5
Max. stroke [mm] *	300*	300*
Weight 0 mm stroke [kg]	0,06	0,07
Weight add. per 1 mm stroke [kg]	0,0005	0,0008
Weight 0 mm stroke [kg] with double ended piston rod	0,06	0,07
Weight add. per 1 mm stroke [kg] with dbl. ended piston rod	0,0006	0,0009

\*) Stroke of cylinder may be longer after agreement with our technical dept.

## Order codes

11001 00 00 016 0050

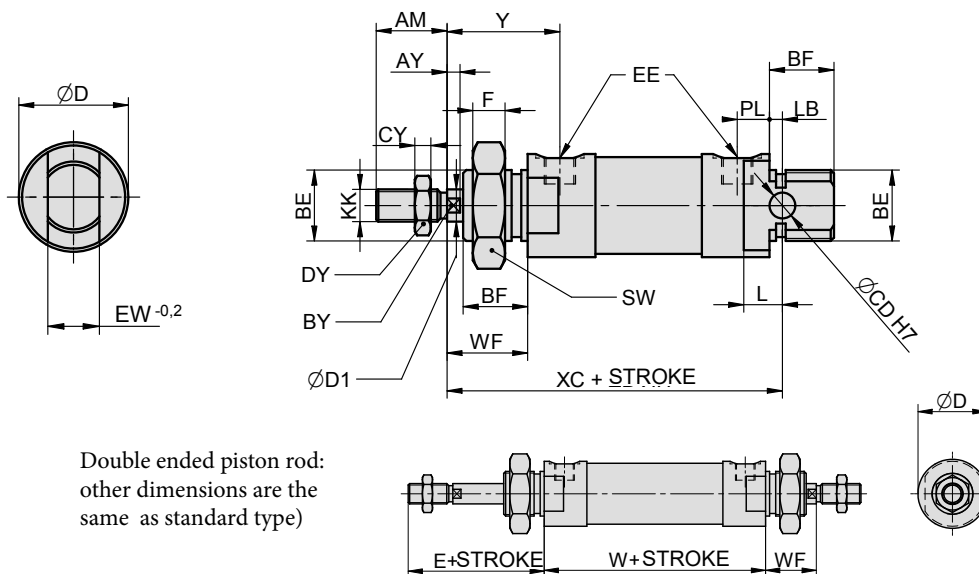
Type	Equipment	Options	Piston diameter	Stroke / Repair kit
11001 to DIN ISO 6432, double acting	00 w/o cushioning, w/o magnet	00 without options	012 12 mm	xxxx mm of stroke e.g.: 0050 = stroke 50 mm
	05 with double ended piston rod, w/o cushioning, w/o magnet	01 1.4021 stainless steel piston rod	016 16 mm	9999 repair kit
	10 w/o cushioning, with magnet	10 Viton® piston rod sealing		
	15 with double ended piston rod, w/o cushioning, with magnet	11 Viton® gaskets (up to 180°C)		
		14 1.4301 stainless steel piston rod		
		16 steel parts from stainless 1.4301 piston rod stainless 1.4401		

For more options regarding materials or dimensions, please contact our technical dept.

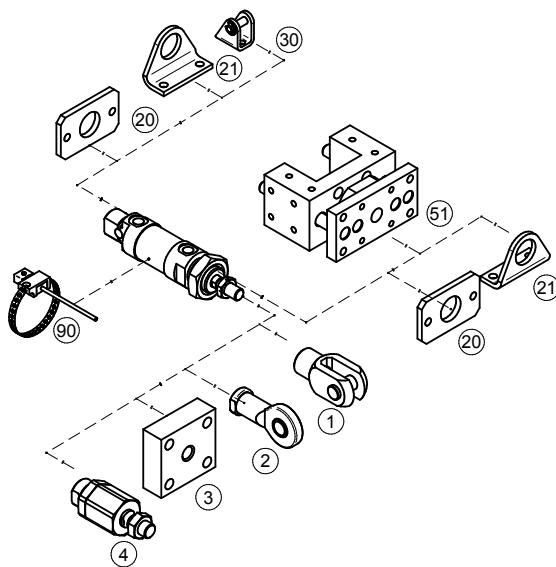
## Construction / materials

- caps: hard anodized dural
- body: drawn dural tube, hard anodized
- piston rod: grounded round steel bar CK45 with hard chrome plated surface



**Dimensions**


Ø	AM	AY	BE	BF	BY	CD	CY	D	D1	DY	E	EE	EW	F	KK	L	LB	PL	SW	WF	XC	Y	W
12	16	3	M16x1,5	15	5	6	3	22	6	10	36	M5	12	8	M6	10	4	5	24	20	75	25	45
16	16	3	M16x1,5	15	5	6	3	25	6	10	36	M5	12	8	M6	11	5	5	24	20	82	25	50

**Mounting accessories**


Mounting accessories	... see page
1 Piston rod clevis	... 4-2
2 Piston rod eye	... 4-3
3 Flanged piston rod coupling	... 4-2
4 Self-aligning piston rod coupling	... 4-3
20 Flange mounting	... 4-7
21 Foot mounting	... 4-5
30 Swivel flange	... 4-5
51 Guide unit with slide bearings	... 4-20
90 Prox. switch	... 3-2, 3-4, 3-6

# DOUBLE ACTING PNEUMATIC CYLINDERS

## DIN ISO 6432

Cylinders are designed to meet the specifications of international standard ISO 6432. The cylinders can work in higher temperatures by request. Fully adjustable cushioning at end of stroke is available.



Working pressure	0,6 MPa
Min. pressure	0,15 MPa
Max. pressure	1,0 MPa
Temp. range	-20°C to +80°C *
Working medium	modified compressed air

\*) values are valid for standard gaskets

Piston diameter [mm]	20	25
Thrust at 0,6 MPa [N]	188	295
Thrust at 0,6 MPa [N] with double ended piston rod	158	248
Return force at 0,6 MPa [N]	158	248
Connection	G1/8"	G1/8"
Length of adjustable cushioning [mm]	11	9
Max. stroke [mm] *	300*	500*
Weight 0 mm stroke [kg]	0,17	0,22
Weight add. per 1 mm stroke [kg]	0,0010	0,0013
Weight 0 mm stroke [kg] with double ended piston rod	0,20	0,30
Weight add. per 1 mm stroke [kg] with dbl. ended piston rod	0,0014	0,0020

\*) Stroke of cylinder may be longer after agreement with our technical dept.

## Order codes

11101 60 00 020 0100

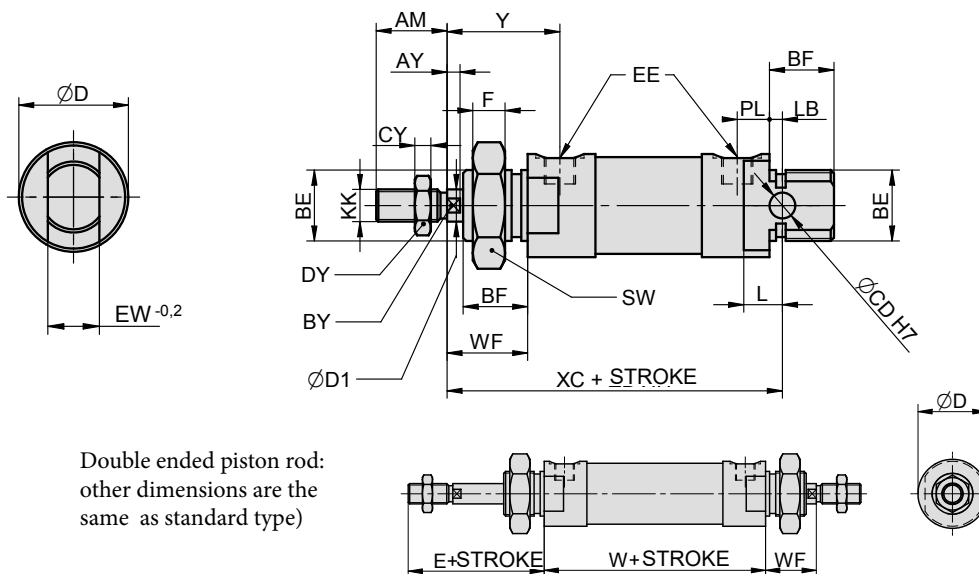
Type	Equipment	Options	Piston diameter	Stroke / Repair kit
11101 to DIN ISO 6432, double acting	00 w/o cushioning, w/o magnet	00 without options	020 20 mm	xxxx mm of stroke e.g.: 0100 = stroke 100 mm
	05 with double ended piston rod, w/o cushioning, w/o magnet	01 1.4021 stainless steel piston rod	025 25 mm	9999 repair kit
	10 w/o cushioning, with magnet	10 Viton® piston rod sealing		
	15 with double ended piston rod, w/o cushioning, with magnet	11* Viton® gaskets (up to 180°C)		
	50 with cushioning, w/o magnet	14 1.4301 stainless steel piston rod		
	55 with double ended piston rod, with cushioning, w/o magnet	16 steel parts from stainless 1.4301 piston rod stainless 1.4401		
	60 with cushioning, with magnet			
	65 with double ended piston rod, with cushioning, with magnet			

\*) This option in combination with magnetic piston causes different dimensions - please contact our technical dept.

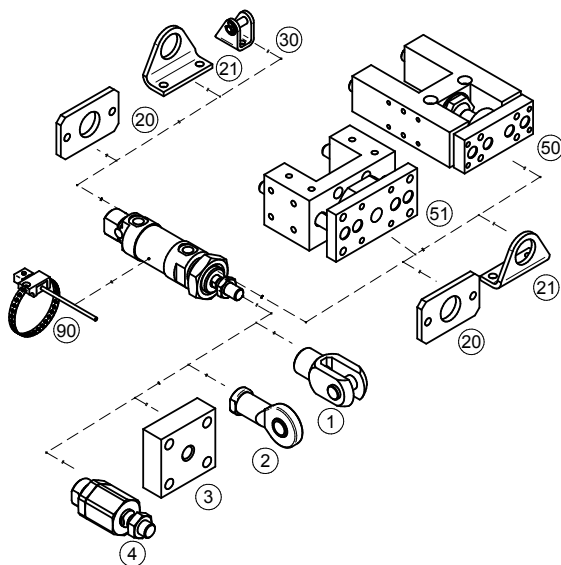
For more options regarding materials or dimensions, please contact our technical dept.

## Construction / materials

- caps: hard anodized dural
- body: drawn dural tube, hard anodized
- piston rod: grounded round steel bar CK45 with hard chrome plated surface

**Dimensions**


Ø	AM	AY	BE	BF	BY	CD	CY	D	D1	DY	E	EE	EW	F	KK	L	LB	PL	SW	WF	XC	Y	W
20	20	4	M22x1,5	20	7	8	6	27,5	8	13	44,5	G1/8"	16	10	M8	12	3	9,5	34	24,5	95	34	67,5
25	22	4	M22x1,5	20	9	8	6	32	10	17	47	G1/8"	16	10	M10x1,25	12	4	10	34	25,5	104	35	75

**Mounting accessories**


Mounting accessories ... see page	
1	Piston rod clevis ... 4-2
2	Piston rod eye ... 4-3
3	Flanged piston rod coupling ... 4-2
4	Self-aligning piston rod coupling ... 4-3
20	Flange mounting ... 4-7
21	Foot mounting ... 4-5
30	Swivel flange ... 4-5
50	Guide unit H with ball bearings ... 4-18
51	Guide unit with slide bearings ... 4-20
90	Prox. switch ... 3-2, 3-4, 3-6

# DOUBLE ACTING PNEUMATIC CYLINDERS DIN ISO 6432 WITH PRESSED-IN TUBE



Cylinders are designed to meet the specifications of international standard ISO 6432. The cylinders can work in higher temperatures by request. Fully adjustable cushioning at end of stroke is available for diameters 20 and 25 mm, diameters 16 mm and less are without cushioning at the end of stroke. Cylinders with pressed-in tube can't be disassembled.

Working pressure	0,6 MPa
Min. pressure	0,15 MPa
Max. pressure	1,0 MPa
Temp. range	-20°C to +80°C *
Working medium	modified compressed air

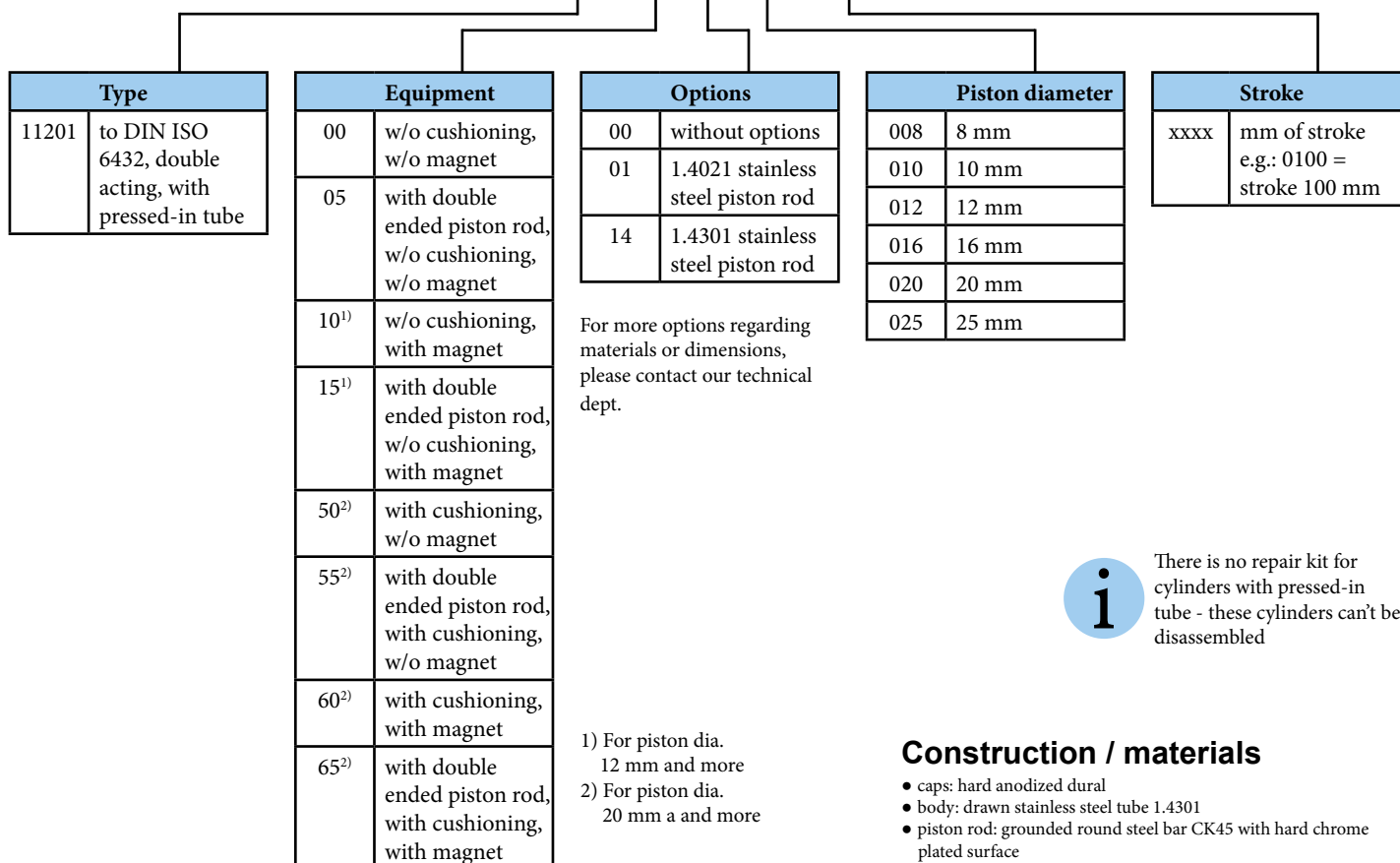
\*) values are valid for standard gaskets

Piston diameter [mm]	8	10	12	16	20	25
Thrust at 0,6 MPa [N]	30	47	66	121	188	295
Thrust at 0,6 MPa [N] with double ended piston rod	22	39	50	102	158	248
Return force at 0,6 MPa [N]	22	39	50	102	158	248
Connection	M5	M5	M5	M5	G1/8"	G1/8"
Length of adjustable cushioning [mm]	—	—	—	—	11	9
Max. stroke [mm] *	200*	200*	300*	300*	300*	500*
Weight 0 mm stroke [kg]	0,04	0,04	0,06	0,07	0,17	0,22
Weight add. per 1 mm stroke [kg]	0,0006	0,0006	0,0005	0,0008	0,0010	0,0013
Weight 0 mm stroke [kg] with double ended piston rod	0,04	0,04	0,06	0,07	0,20	0,30
Weight add. per 1 mm stroke [kg] with double ended piston rod	0,0006	0,0006	0,0006	0,0009	0,0014	0,0020

\*) Stroke of cylinder may be longer after agreement with our technical dept.

## Order codes

11201 60 00 020 0100

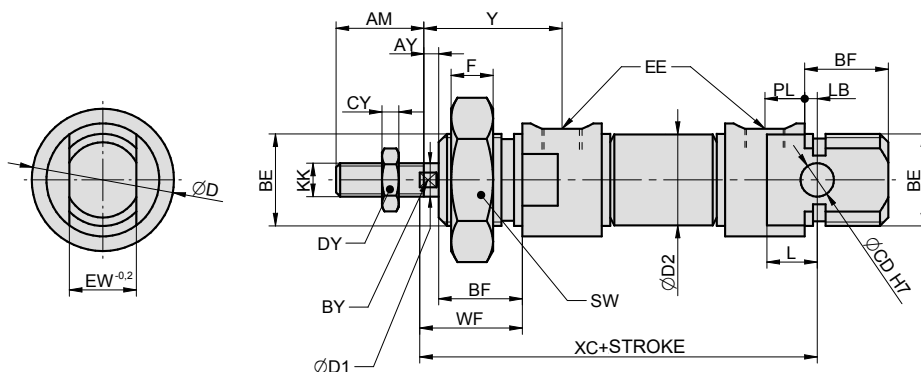


There is no repair kit for cylinders with pressed-in tube - these cylinders can't be disassembled

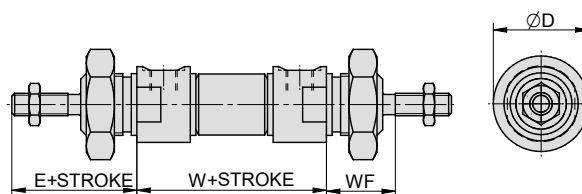
## Construction / materials

- caps: hard anodized dural
- body: drawn stainless steel tube 1.4301
- piston rod: grounded round steel bar CK45 with hard chrome plated surface

## Dimensions

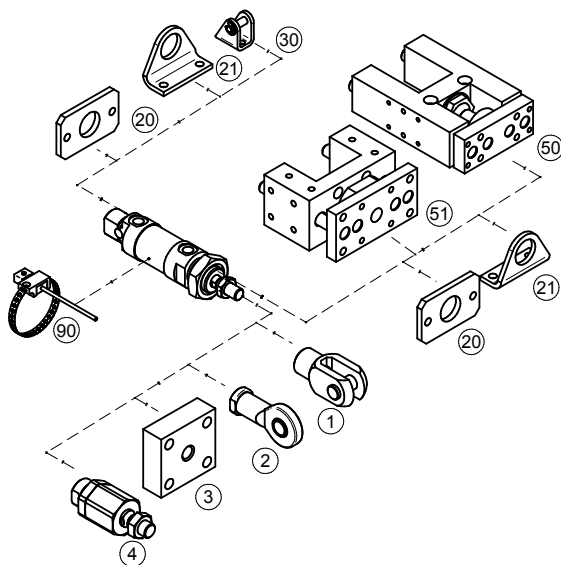


Double ended piston rod:  
other dimensions are the same as standard type)



Ø	AM	AY	BE	BF	BY	CD	CY	D	D1	D2	DY	E	EE	EW	F	KK	L	LB	PL	SW	WF	XC	Y	W
8	12	3	M12x1,25	12	3	4	3	15	4	9,3	7	28	M5	8	7	M4	9	3	5	18	16	64	21	45
10	12	3	M12x1,25	12	3	4	3	15	4	11,3	7	28	M5	8	7	M4	9	3	5	18	16	64	21	45
12	16	3	M16x1,5	15	5	6	3	19	6	13,3	10	36	M5	12	8	M6	10	4	5	24	20	75	25	45
16	16	3	M16x1,5	15	5	6	3	20	6	17,3	10	36	M5	12	8	M6	11	5	5	24	20	82	25	50
20	20	4	M22x1,5	20	7	8	6	27	8	21,3	13	44,5	G1/8"	16	10	M8	12	3	9,5	34	24,5	95	34	67,5
25	22	4	M22x1,5	20	9	8	6	32	10	26,5	17	47	G1/8"	16	10	M10x1,25	12	4	10	34	25,5	104	35	75

## Mounting accessories



Mounting accessories	... see page
1 Piston rod clevis	... 4-2
2 Piston rod eye	... 4-3
3 Flanged piston rod coupling	... 4-2
4 Self-aligning piston rod coupling	... 4-3
20 Flange mounting	... 4-7
21 Foot mounting	... 4-5
30 Swivel flange	... 4-5
50 Guide unit H with ball bearings	... 4-18
51 Guide unit with slide bearings	... 4-20
90 Prox. switch	... 3-2, 3-4, 3-6



# DOUBLE ACTING PNEUMATIC CYLINDERS SERIES PDSW



This series of cylinders with fully adjustable cushioning at both ends and with magnetic piston for proximity switches, is direct replacement for cylinders of DSW series of other producers.

Working pressure	0,6 MPa
Min. pressure	0,15 MPa
Max. pressure	1,0 MPa
Temp. range	-20°C to +80°C *
Working medium	modified compressed air

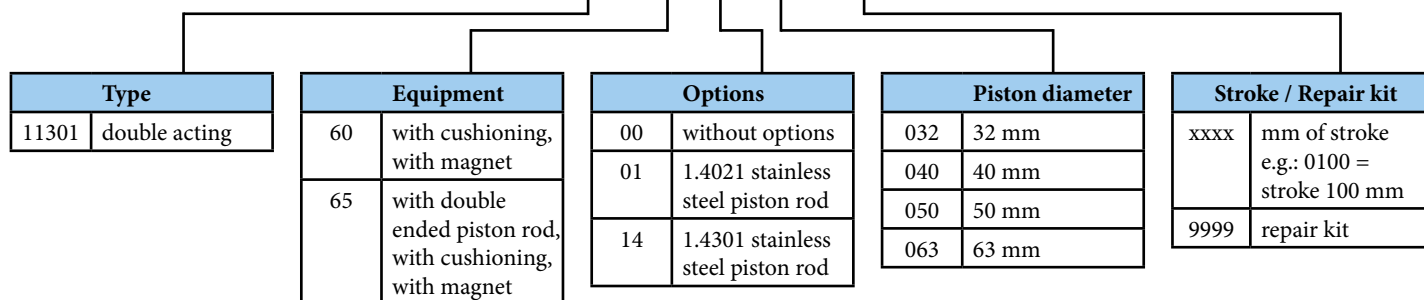
\*) values are valid for standard gaskets

Piston diameter [mm]	32	40	50	63
Thrust at 0,6 MPa [N]	482	754	1178	1870
Thrust at 0,6 MPa [N] with double ended piston rod	415	633	990	1682
Return force at 0,6 MPa [N]	415	633	990	1682
Connection	G1/8"	G1/4"	G1/4"	G3/8"
Length of adjustable cushioning [mm]	13	14	11	16
Max. stroke [mm] *	1000*	1000*	1000*	1000*
Weight 0 mm stroke [kg]	0,43	0,90	1,10	1,70
Weight add. per 1 mm stroke [kg]	0,0015	0,002	0,002	0,004
Weight 0 mm stroke [kg] with double ended piston rod	0,56	1,23	1,33	1,80
Weight add. per 1 mm stroke [kg] with dbl. ended piston rod	0,0024	0,004	0,004	0,0065

\*) Stroke of cylinder may be longer after agreement with our technical dept.

## Order codes

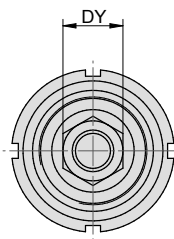
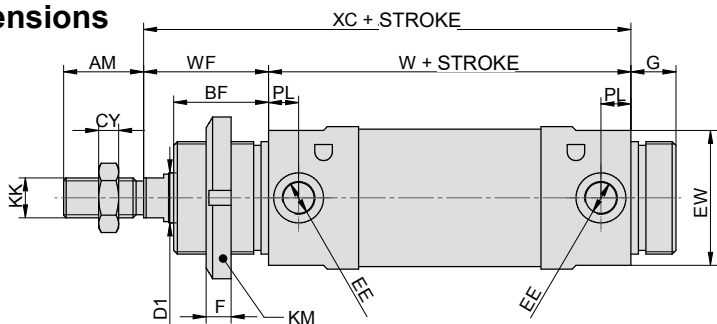
11301 60 00 050 0100



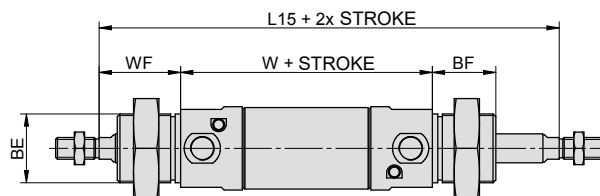
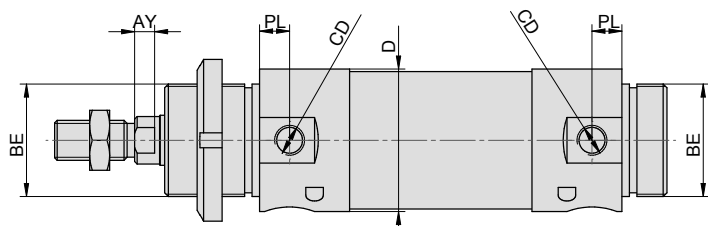
For more options regarding materials or dimensions, please contact our technical dept.

## Construction / materials

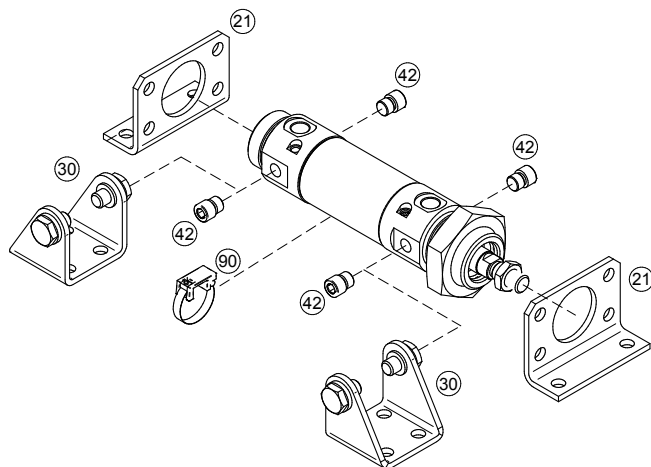
- caps: hard anodized dural
- body: drawn dural tube, hard anodized
- piston rod: grounded round steel bar CK45 with hard chrome plated surface

**Dimensions**


Double ended piston rod:  
(other dimensions are the same as standard type)



∅	AM	AY	BE	BF	BY	CD	CY	D	DY	D1	EE	EW	F	G	KK	KM	L15	PL	W	WF	XC	Y
32	20	4	M30x1,5	30	10	M8x1	5	38	16	12	G1/8"	35	7	14	M10	6	172	9	96	38	134	47
40	24	6,5	M38x1,5	35	12	M10x1	6	46	18	16	G1/4"	43	14	16	M12	M38x1,5	204	12	113	45	158	57
50	32	8	M45x1,5	38	16	M12x1,5	8	57	24	20	G1/4"	54	10	18	M16	9	220	12	120	50	170	62
63	32	8	M45x1,5	38	16	M14x1,5	8	70	24	20	G3/8"	67	10	18	M16	9	224	13	124	50	174	63

**Mounting accessories**


Mounting accessories	... see page
21 Foot mounting	... 4-23
30 Swivel flange	... 4-23
42 Socket screw	... 4-24
90 Proximity switch	... 3-2, 3-4, 3-6

# DOUBLE ACTING PNEUMATIC CYLINDERS ANTI-CORROSIVE - HYGIENIC CLEAN



Anti-corrosive cylinders are designed for use in area, where the hygienic clean is required (food processing or packing industry) or in aggressive chemical environment. The profile of the cylinder is smooth, to prevent dirt deposition. Fully adjustable cushioning at end of stroke is available as well as magnetic piston. Anti-corrosive cylinders are produced in several versions, for example: with thread on the front cap and with mounting holes on end cap, or with integrated swivel eye on end cap, and more. For using in food processing industry please choose appropriate option or contact our technical dept.



Working pressure	0,6 MPa
Min. pressure	0,15 MPa
Max. pressure	1,0 MPa
Temp. range	-20°C to +80°C *
Working medium	modified compressed air

\*) values are valid for standard gaskets

Piston diameter [mm]	32	40	50	63	80	100
Thrust at 0,6 MPa [N]	482	754	1178	1870	3015	4713
Return force at 0,6 MPa [N]	415	633	990	1682	2720	4418
Connection	G1/8"	G1/4"	G1/4"	G3/8"	G3/8"	G3/8"
Length of adjustable cushioning [mm]	12	13	15	15	18	18
Max. stroke [mm] *	800*	800*	1000*	1000*	1000*	1200*
Weight 0 mm stroke of type 17101 (standard / double-ended piston rod) [kg]	0,66 / 0,72	1,13 / 1,34	1,70 / 1,94	2,97 / 3,00	5,14 / 5,66	8,04 / 8,51
Weight 0 mm stroke of type 17201 (standard) [kg]	0,77	1,29	2,05	3,77	6,43	10,73
Weight 0 mm stroke of type 17301 (standard / double-ended piston rod) [kg]	0,73 / 0,84	1,23 / 1,51	1,93 / 2,41	3,47 / 4,06	6,11 / 7,48	9,63 / 11,7
Weight 0 mm stroke of type 17401 (standard / double-ended piston rod) [kg]	0,73 / 0,84	1,23 / 1,51	1,93 / 2,41	3,47 / 4,06	6,11 / 7,48	9,63 / 11,7
Weight 0 mm stroke of type 17501 (standard / double-ended piston rod) [kg]	0,71 / 0,83	1,20 / 1,50	1,89 / 2,34	3,42 / 3,97	5,95 / 7,34	9,54 / 11,5
Weight 0 mm stroke of type 17601 (standard) [kg]	0,71	1,2	1,89	3,42	5,95	9,54
Weight 0 mm stroke of type 17701 (standard) [kg]	0,66	1,13	1,70	2,93	5,09	7,99
Weight add. per 1 mm stroke (all types, standard) [kg]	0,0025	0,0035	0,0050	0,0064	0,0098	0,0113
Weight add. per 1 mm stroke (all types, double-ended piston rod) [kg]	0,0035	0,0052	0,0075	0,0090	0,0138	0,0153

\*) Stroke of cylinder may be longer after agreement with our technical dept.

## Order codes

17101 60 00 050 0100

Type	
17101	with thread on front cap
17201	with integrated swivel eye
17301	with pins for trunnion mounting on front cap
17401	with pins for trunnion mounting on end cap
17501*	with threads for accessory mounting on front cap
17601	with threads for accessory mounting on end cap
17701	with thread on front cap and threads for accessory mounting on end cap

Equipment	
50	with cushioning, without magnet
55*	with double-ended piston rod with cushioning, without magnet
60	with cushioning, with magnet
65*	with double-ended piston rod with cushioning, with magnet

\*) Not for type 17201, 17601 and 17701

Options	
00	without options
10	Viton® piston rod sealing
11	Viton® gaskets (up to 180°C)
31	for food processing industry (piston rod sealing from TPU and special grease)

For more options regarding materials or dimensions, please contact our technical dept.

Piston diameter	
032	32 mm
040	40 mm
050	50 mm
063	63 mm
080	80 mm
100	100 mm

Stroke / Repair kit	
xxxx	mm of stroke e.g.: 0100 = stroke 100 mm
9999	repair kit

## Construction / materials

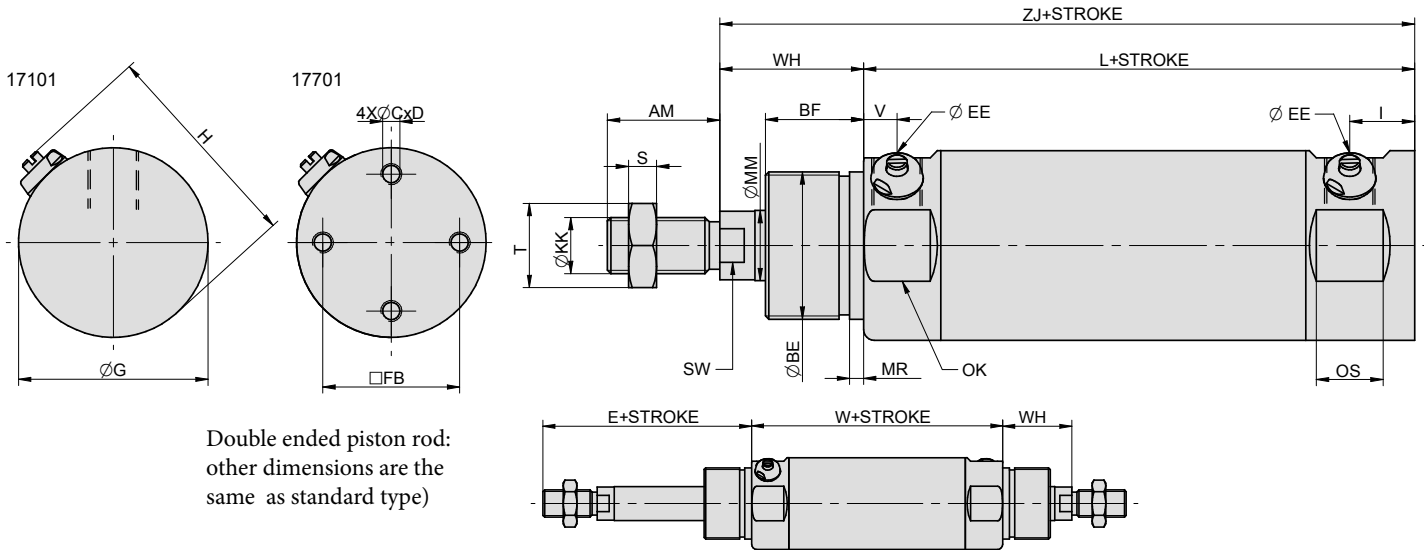
- caps: stainless steel 1.4571 (AISI 316)
- body: drawn stainless steel 1.4301 tube
- piston rod: stainless steel 1.4571 (AISI 316)
- sealing: NBR, wiping ring Viton®



Anti-corrosive cylinders according to VDMA 24562 - see page 2-4, option 05

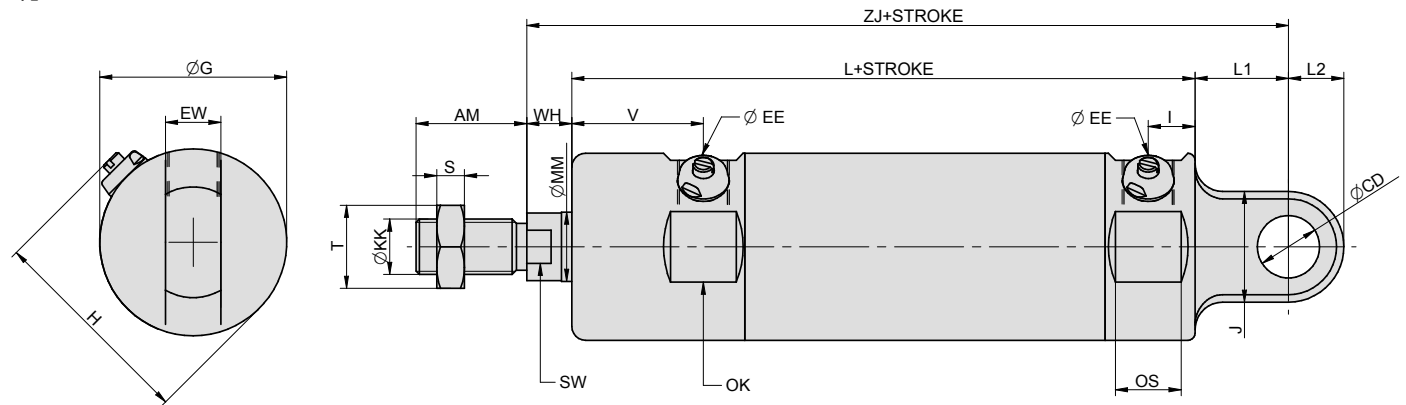
**Dimensions**

Types 17101 and 17701:



Ø	AM	BE	BF	C	D	E	EE	FB	G	H	I	KK	L	MM	MR	OK	OS	S	SW	T	V	W	WH	ZJ
32	22	M30x1,5	22	M5	7	53	G1/8"	25	36	45	17,5	M10x1,25	92,5	12	2	33	16,5	5	10	17	10	84,5	31	123,5
40	24	M35x1,5	25	M6	8	58	G1/4"	30	44	53	20	M12x1,25	107	16	2	40	20	6	13	19	14	102,5	34	141
50	32	M42x1,5	28	M6	8	73	G1/4"	39	54	64	19	M16x1,5	107	20	2	50	19	8	17	24	10	98	41	148
63	32	M42x1,5	28	M8	8	73	G3/8"	49	68	78	23	M16x1,5	123	20	2	64	24	8	17	24	12	110	41	164
80	40	M50x2	28	M10	8,5	83,5	G3/8"	64	86	96	22	M20x1,5	136	25	2	82	24	10	21	30	18	135	43,5	179,5
100	40	M50x2	28	M10	10	84	G3/8"	82	106	116	24	M20x1,5	145	25	2	102	26	10	21	30	15	142	44	189

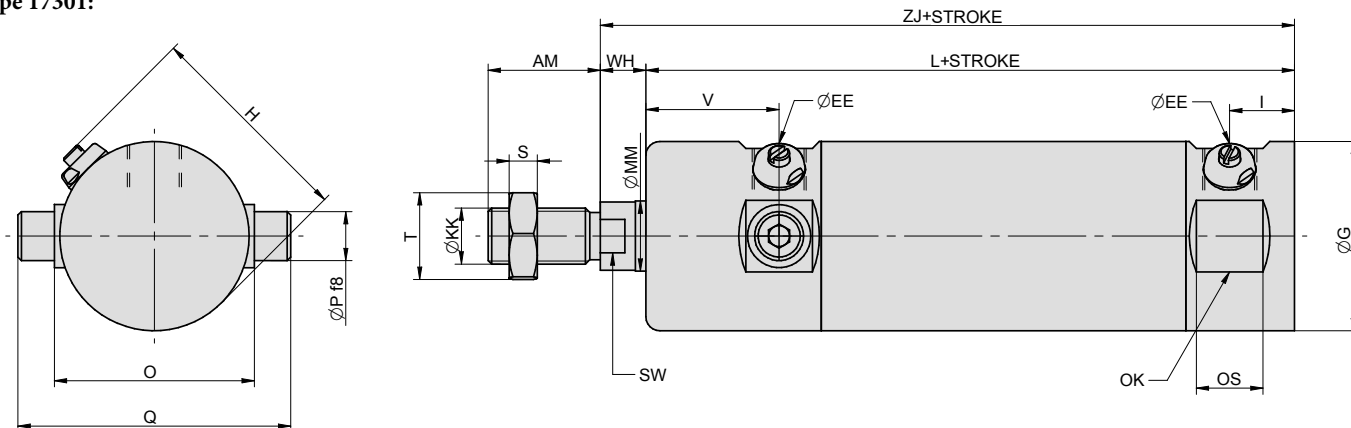
Type 17201:



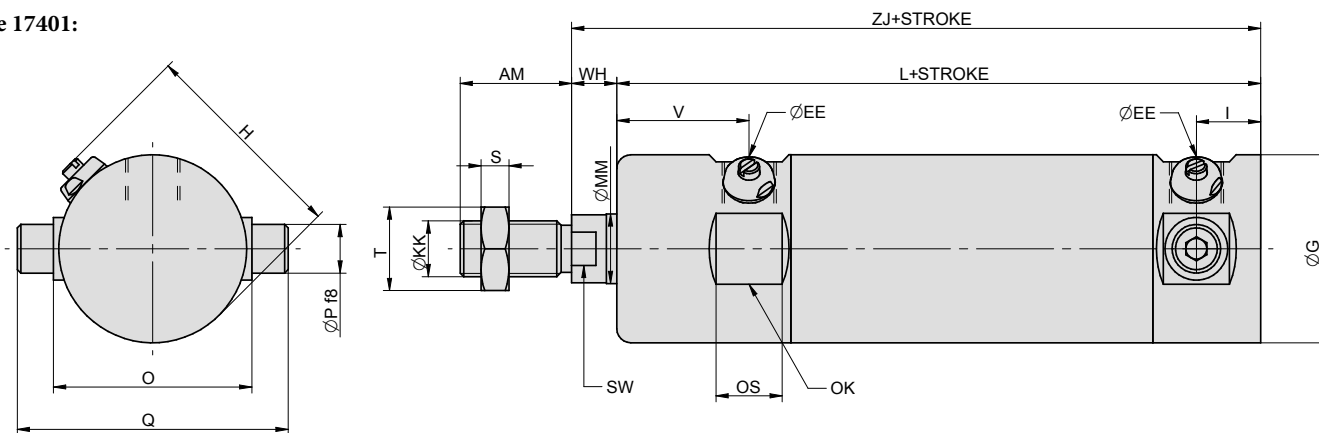
Ø	AM	CD	EE	EW	G	H	I	J	KK	L	L1	L2	MM	OK	OS	S	SW	T	V	ZJ
32	22	10	G1/8"	10	36	45	12	20	M10x1,25	109	24	10	12	33	16,5	5	10	17	32	142
40	24	12	G1/4"	12	44	53	13	24	M12x1,25	127	24	12	16	40	20	6	13	19	39	160
50	32	16	G1/4"	16	54	64	14	32	M16x1,5	132	27	16	20	50	19	8	17	24	38	172
63	32	16	G3/8"	16	68	78	22	32	M16x1,5	150	27	16	20	64	24	8	17	24	40	190
80	40	20	G3/8"	20	86	96	16,5	40	M20x1,5	158,5	36	20	25	82	24	10	21	30	46	210
100	40	20	G3/8"	20	106	116	22,5	40	M20x1,5	178	36	20	25	102	26	10	21	30	46	230

# DOUBLE ACTING PNEUMATIC CYLINDERS ANTI-CORROSIVE - HYGIENIC CLEAN

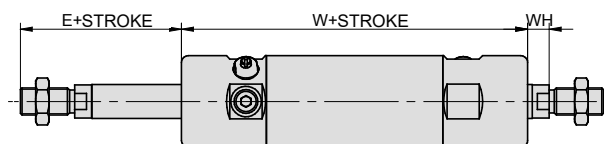
Type 17301:



Type 17401:

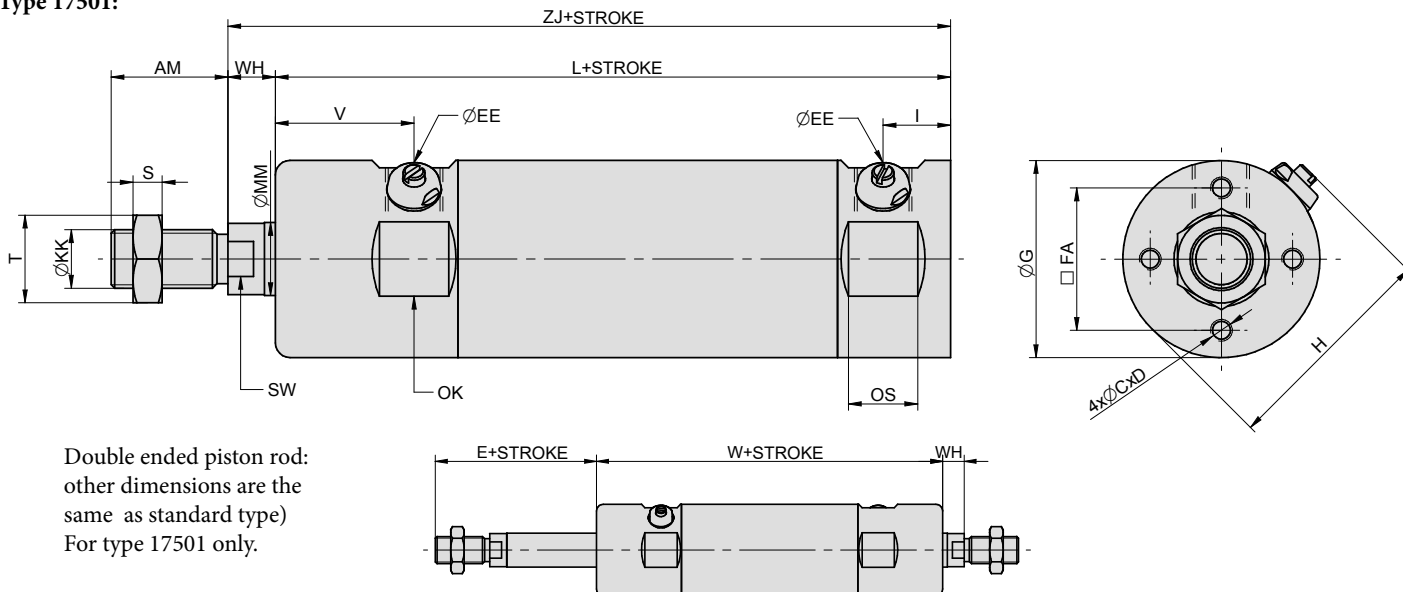
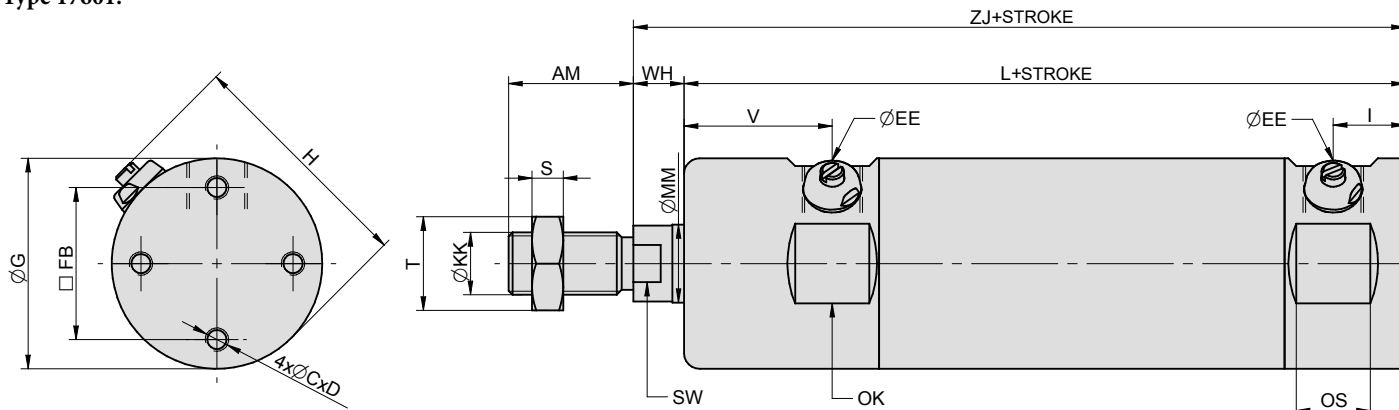


Double ended piston rod:  
other dimensions are the  
same as standard type)  
For both 17301 and 17401  
types.

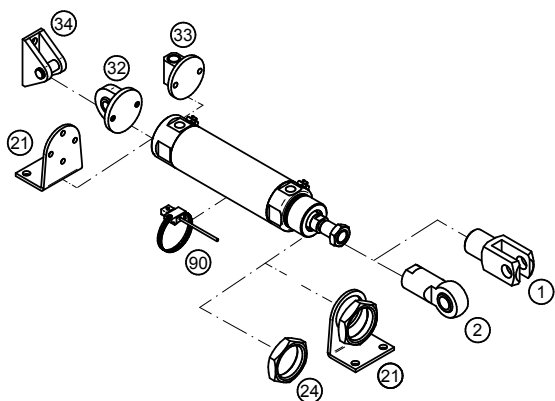


Ø	AM	E	EE	G	H	I	KK	L	MM	O	OK	OS	P	Q	S	SW	T	V	W	WH	ZJ
32	22	31	G1/8"	36	45	17,5	M10x1,25	114,5	12	38	33	16,5	10	52,8	5	10	17	32	128,5	9	123,5
40	24	33	G1/4"	44	53	20	M12x1,25	132	16	46	40	20	12	63,8	6	13	19	39	152,5	9	141
50	32	45	G1/4"	54	64	19	M16x1,5	135	20	57	50	19	14	77,8	8	17	24	38	154	13	148
63	32	45	G3/8"	68	78	23	M16x1,5	151	20	70	64	24	16	93	8	17	24	40	166	13	164
80	40	55,5	G3/8"	86	96	22	M20x1,5	164	25	88	82	24	18	120	10	21	30	46	191	15,5	179,5
100	40	56	G3/8"	106	116	24	M20x1,5	173	25	109	102	26	20	147	10	21	30	50,5	198	16	189



**Type 17501:**

**Type 17601:**


Ø	AM	C	D	E	FA	FB	EE	G	H	I	KK	L	MM	OK	OS	S	SW	T	V	W	WH	ZJ
32	22	M5	7	31	—	25	G1/8 <sup>cc</sup>	36	45	17,5	M10x1,25	114,5	12	33	16,5	5	10	17	32	128,5	9	123,5
40	24	M6	8	33	—	30	G1/4 <sup>cc</sup>	44	53	20	M12x1,25	132	16	40	20	6	13	19	39	152,5	9	141
50	32	M6	8	45	39	39	G1/4 <sup>cc</sup>	54	64	19	M16x1,5	135	20	50	19	8	17	24	38	154	13	148
63	32	M8	8	45	49	49	G3/8 <sup>cc</sup>	68	78	23	M16x1,5	151	20	64	24	8	17	24	40	166	13	164
80	40	M10	8,5	55,5	64	64	G3/8 <sup>cc</sup>	86	96	22	M20x1,5	164	25	82	24	10	21	30	46	191	15,5	179,5
100	40	M10	10	56	82	82	G3/8 <sup>cc</sup>	106	116	24	M20x1,5	173	25	102	26	10	21	30	50,5	198	16	189

**Mounting accessories**


Mounting accessories	... see page
1 Piston rod clevis	... 4-13
2 Piston rod eye	... 4-13
21 Foot mounting	... 4-14
24 Front cap nut	... 4-13
32 Swivel flange with spherical bearing	... 4-14
33 Swivel flange	... 4-15
34 Narrow swivel flange	... 4-14
90 Prox. switch	... 3-2, 3-4, 3-6

# DOUBLE ACTING PNEUMATIC CYLINDERS SHORT STROKE



Pneumatic cylinder may be used, when small mounting dimensions are required. The cylinders can work in higher temperatures by request. There is no cushioning at the end of stroke.

Working pressure	0,6 MPa
Min. pressure	0,15 MPa
Max. pressure	1,0 MPa
Temp. range	-20°C to +80°C *
Working medium	modified compressed air

\*) values are valid for standard gaskets

Piston diameter [mm]	20	25	32	40	50	63	80	100	160	250
Thrust at 0,6 MPa [N]	188	295	482	754	1178	1870	3015	4713	12064	29460
Thrust at 0,6 MPa [N] with double ended piston rod	158	248	415	662	1025	1717	2720	4484	11309	27600
Return force at 0,6 MPa [N]	158	248	415	662	1025	1717	2720	4484	11309	27600
Connection	M5	G1/8"	G1/8"	G1/8"	G1/8"	G1/8"	G1/4"	G1/4"	G3/8"	G1/2"
Max. stroke [mm] *	50*	50*	50*	50*	50*	50*	50*	50*	60*	40*
Weight 0 mm stroke [kg]	0,05	0,08	0,16	0,29	0,43	0,60	1,10	1,80	8,20	30,00
Weight add. per 1 mm stroke [kg]	0,0014	0,0015	0,0040	0,0060	0,0080	0,0100	0,0160	0,0200	0,0600	0,0830
Weight 0 mm stroke [kg] with double ended piston rod	0,06	0,09	0,17	0,32	0,50	0,70	1,20	2,00	8,90	33,00
Weight add. per 1 mm stroke [kg] with double ended piston rod	0,0022	0,0036	0,0050	0,0070	0,0100	0,0120	0,0190	0,0250	0,0700	0,0980

\*) Stroke of cylinder may be longer after agreement with our technical dept.

## Order codes

12501 10 00 050 0010

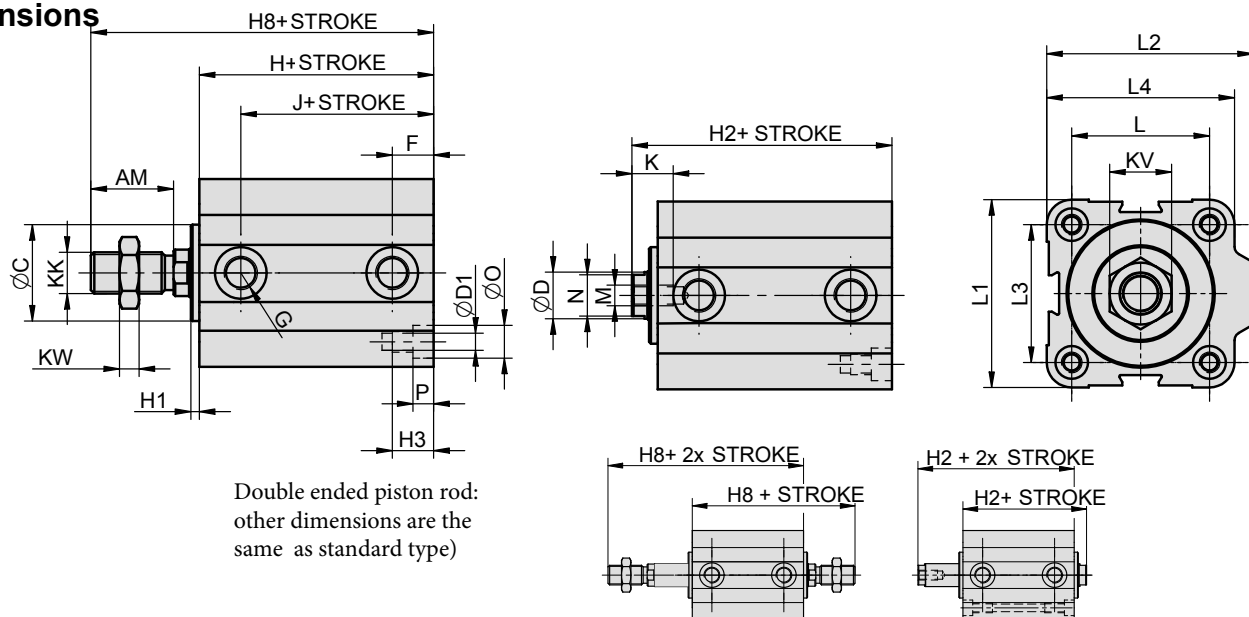
Type		Equipment		Options		Piston diameter		Stroke / Repair kit	
12501	short stroke, double acting	00	w/o magnet, external thread	00	without options	020	20 mm	xxxx	mm of stroke e.g.: 0010 = stroke 10 mm
		01	w/o magnet, internal thread	01	1.4021 stainless steel piston rod	025	25 mm		
		05	with double ended piston rod, w/o magnet, external thread	10	Viton® piston rod sealing	032	32 mm	9999	repair kit
		06	with double ended piston rod, w/o magnet, internal thread	11	Viton® gaskets (up to 180°C)	040	40 mm		
		10	with magnet, external thread	14	1.4301 stainless steel piston rod	050	50 mm		
		11	with magnet, internal thread			063	63 mm		
		15	with double ended piston rod, with magnet, external thread			080	80 mm		
		16	with double ended piston rod, with magnet, internal thread			100	100 mm		
						160	160 mm		
						250	250 mm		

For more options regarding materials or dimensions, please contact our technical dept.

## Construction / materials

- caps: anodized dural, piston dia. 250 mm: aluminium casting
- body: drawn dural profile, hard anodized", piston dia. 160 and 250 mm: aluminium casting
- piston rod: grounded round steel bar CK45 with hard chrome plated surface

## Dimensions

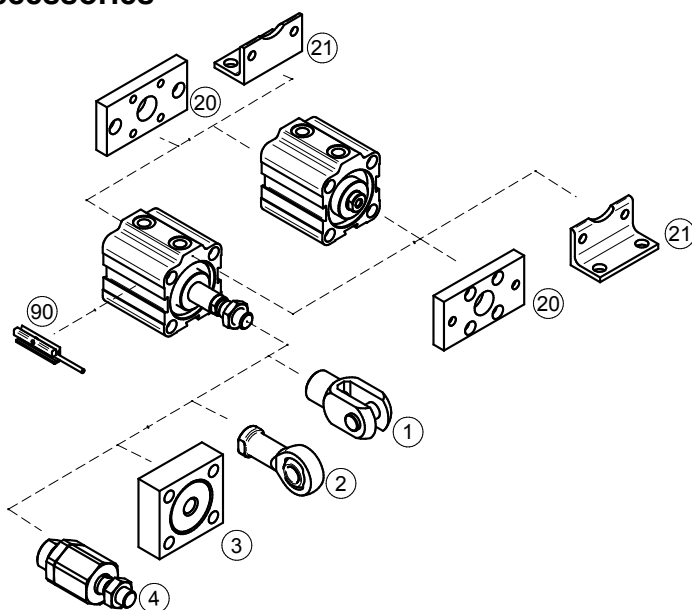


Double ended piston rod:  
other dimensions are the  
same as standard type)

Ø	AM	C	D	D1	F	G	H	H1	H2	H3	H8	J	K	KK	KV	KW	L	L1	L2	L3	L4	M	N	O	P
20	20	12	8	M5	9	M5	28	2,5	35,5	15	55,5	19	8	M8	13	6	22	32	35	22	32	M5	7	7	5
20M	20	12	8	M5	9	M5	53,5	2,5	61	15	81	44,5	8	M8	13	6	22	32	35	22	32	M5	7	7	5
25	22	17	10	M5	10	G1/8"	32	2,5	39,5	15	61,5	22	8	M10x1,25	17	6	28	38	45	26	39	M5	8	8	5
25M	22	17	10	M5	10	G1/8"	46	2,5	53,5	15	75,5	36	8	M10x1,25	17	6	28	38	45	26	39	M5	8	8	5
32	22	21	12	M6	11	G1/8"	40	2,5	47,5	18	69,5	29	12	M10x1,25	17	6	36	45	54	32	48	M6	10	9,5	6
32M	22	21	12	M6	11	G1/8"	52	2,5	59,5	18	81,5	41	12	M10x1,25	17	6	36	45	54	32	48	M6	10	9,5	6
40	24	28	14	M6	12	G1/8"	48	2,5	55,5	18	79,5	36	12	M12x1,25	19	10	40	55	60	40	55	M6	12	9,5	6
50	32	36	18	M8	13	G1/8"	49	2,5	57,5	24	89,5	36	14	M16x1,5	24	8	50	65	73	50	65	M8	16	11	8
63	32	48	18	M10	14,5	G1/8"	47	3,5	56,5	24,5	88,5	32,5	14	M16x1,5	24	8	62	80	88	62	80	M8	16	14	8,5
80	43	54	22	M10	16,5	G1/4"	52	3,5	61,5	24,5	104,5	35,5	17	M20x1,5	30	9	82	100	110	82	100	M10	19	14	8,5
80M	43	54	22	M10	16,5	G1/4"	57	3,5	66,5	24,5	109,5	40,5	17	M20x1,5	30	9	82	100	110	82	100	M10	19	14	8,5
100	43	60	22	M12	20	G1/4"	60	6	72	29	115	40	20	M20x1,5	30	9	103	124	134	103	124	M12	19	17	11
100M	43	60	22	M12	20	G1/4"	62	6	74	29	117	42	20	M20x1,5	30	9	103	124	134	103	124	M12	19	17	11
160	72	110	40	M20	23	G3/8"	96	-	113	45	185	73,5	25	M36x2	50	18	154	200	210	154	200	M16	36	26	21
250	84	-	50	M20	42	G1/2"	146	-	169	60	253	104	35	M42x2	65	21	220	275	300	220	-	M24	46	26	20

Notice: M after piston diameter size means cylinder with magnetic piston.

## Mounting accessories



Mounting accessories	... see page
1 Piston rod clevis	... 4-2
2 Piston rod eye	... 4-3
3 Flanged piston rod coupling	... 4-2
4 Self-aligning piston rod coupling	... 4-3
20 Flange mounting	... 4-6
21 Foot mounting	... 4-5
90 Prox. switch	... 3-2, 3-4, 3-6

# DOUBLE ACTING PNEUMATIC CYLINDERS SHORT STROKE WITH GUIDE WITH SLIDE BEARINGS



Pneumatic cylinder may be used, when small mounting dimensions are required. The cylinders can work in higher temperatures by request. There is no cushioning at end of stroke. This design features a torque resistant guide system to prevent piston rod rotation. Guiding rods are mounted in slide bearings without clearance.

Working pressure	0,6 MPa
Min. pressure	0,15 MPa
Max. pressure	1,0 MPa
Temp. range	-20°C to +80°C *
Working medium	modified compressed air

\*) values are valid for standard gaskets

Piston diameter [mm]	20	25	32	40	50	63	80	100	160
Thrust at 0,6 MPa [N]	188	295	482	754	1178	1870	3015	4713	12064
Return force at 0,6 MPa [N]	158	248	415	662	1025	1717	2720	4484	11309
Connection	M5	G1/8"	G1/8"	G1/8"	G1/8"	G1/8"	G1/4"	G1/4"	G3/8"
Max. stroke [mm] *	50*	50*	50*	50*	50*	50*	50*	50*	60*
Weight 0 mm stroke [kg]	0,20	0,25	0,30	0,37	0,50	0,69	1,46	1,78	13,5
Weight add. per 1 mm stroke [kg]	0,0023	0,0037	0,0053	0,0075	0,012	0,018	0,022	0,028	0,100

\*) Stroke of cylinder may be longer after agreement with our technical dept.

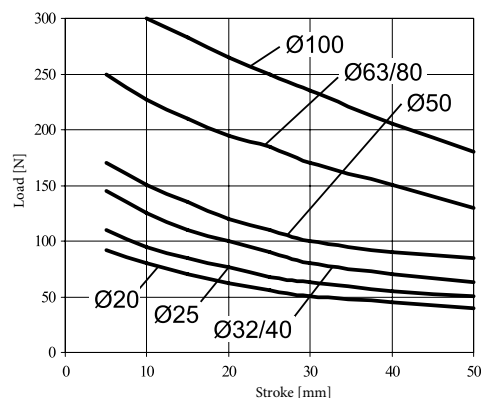
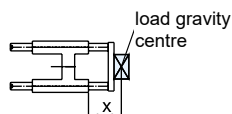
## Order codes

12517 11 00 050 0010

Type	Equipment	Options	Piston diameter	Stroke / Repair kit
12517 short stroke with guide with slide bearings, double acting	01 w/o magnet 11 with magnet	00 without options 01 1.4021 stainless steel piston rod 10 Viton® piston rod sealing 11 Viton® gaskets (up to 180°C) 14 1.4301 stainless steel piston rod	020 20 mm 025 25 mm 032 32 mm 040 40 mm 050 50 mm 063 63 mm 080 80 mm 100 100 mm 160 160 mm	xxxx mm of stroke e.g.: 0010 = stroke 10 mm 9999 repair kit

For more options regarding materials or dimensions, please contact our technical dept.

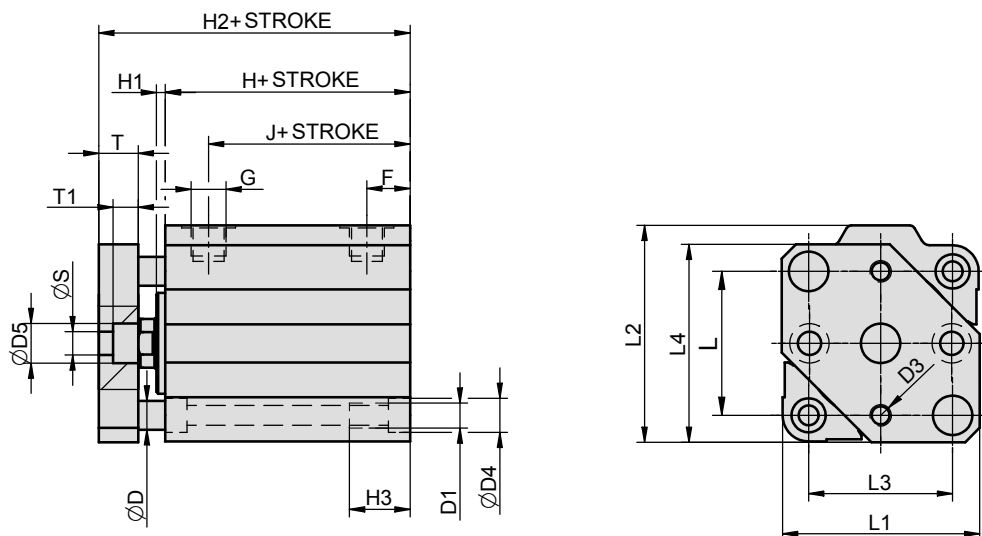
## Useful load



## Construction / materials

- caps: anodized dural
- body: drawn dural profile, hard anodized, piston dia. 160 mm: aluminium casting
- piston rod and guiding rods: grounded round steel bar CK45 with hard chrome plated surface
- flange: zinc plated steel
- guiding rods are mounted in slide bearings

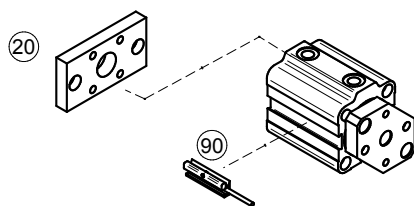
## Dimensions



Ø	D	D1	D3	D5	F	G	H	H1	H2	H3	J	L	L1	L2	L3	L4	S	T	T1
20	5	M5	M4	8	9	M5	28	2,5	44,5	15	19	22	32	35	22	32	4,5	9	5
20M	5	M5	M4	8	9	M5	53,5	2,5	70	15	44,5	22	32	35	22	32	4,5	9	5
25	6	M5	M4	8	10	G1/8"	32	2,5	48,5	15	22	28	38	44,5	26	39	4,5	9	5
25M	6	M5	M4	8	10	G1/8"	46	2,5	62,5	15	22	28	38	44,5	26	39	4,5	9	5
32	8	M6	M5	10	11	G1/8"	40	2,5	57,5	18	29	36	45	54	32	48	5,5	10	6
32M	8	M6	M5	10	11	G1/8"	52	2,5	69,5	18	41	36	46	54	32	48	5,5	10	6
40	8	M6	M6	11	12	G1/8"	48	2,5	66,5	18	36	40	55	60	40	55	6,5	11	7
50	10	M8	M6	11	13	G1/8"	49	2,5	70,5	24	36	50	65	73	50	65	6,5	13	7
63	12	M10	M8	15	14,5	G1/8"	47	3,5	69,5	24,5	32,5	62	80	88	62	80	8,5	13	9
80	12	M10	M8	15	16,5	G1/4"	52	3,5	76,5	24,5	34,5	82	100	109	82	100	8,5	15	9
80M	12	M10	M8	15	16,5	G1/4"	57	3,5	81,5	24,5	39,5	82	100	109	82	100	8,5	15	9
100	14	M12	M8	15	20	G1/4"	60	6	89	29	40	103	124	134	103	124	8,5	17	9
100M	14	M12	M8	15	20	G1/4"	62	6	91	29	42	103	124	134	103	124	8,5	17	9
160	22	M20	M12	20	22,5	G3/8"	96	-	137	45	73,5	154	200	210	154	200	13	24	13

Notice: M after piston diameter size means cylinder with magnetic piston.

## Mounting accessories



Mounting accessories	... see page
20 Flange mounting	... 4-6
90 Prox. switch	... 3-2, 3-4, 3-6

# DOUBLE ACTING ROTARY ACTUATORS



Linear piston movement is converted to rotary motion by rack and pinion. The cylinders can work in higher temperatures by request. Fully adjustable cushioning at end of stroke is available.

Working pressure	0,6 MPa
Min. pressure	0,15 MPa
Max. pressure	1,0 MPa
Temp. range	-20°C to +80°C *
End position regulation	±5°
Working medium	modified compressed air

\*) values are valid for standard gaskets

Piston diameter [mm]	20	25	32	40	50	63	80	100	125	160
Torque at 0,6 MPa [Nm]	3,5	5,5	8,7	13,6	27	42	108	173	397	651
Connection	G1/8"	G1/8"	G1/8"	G1/8"	G1/4"	G3/8"	G3/8"	G1/2"	G1/2"	G3/4"
Length of adjustable cushioning [mm]	15	15	18	20	20	22	25	25	25	45
Max. angle of pinion rotation [°]	360	360	360	360	360	360	360	360	360	360
Weight 0 mm stroke [kg]	1,02	1,02	1,70	2,39	4,10	4,86	12,40	13,95	31,80	48,40
Weight add per 10° pinion rotation [kg]	0,013	0,009	0,008	0,010	0,022	0,023	0,083	0,144	0,255	0,321

## Order codes

15001 61 00 050 0180

Type	Equipment	Options	Piston diameter	Angle / repair kit
15001 rotary actuator, double acting	01 w/o cushioning, w/o magnet	00 without options	020 20 mm	xxxx angle of pinion rotation in degrees
	11 w/o cushioning, with magnet	09 polyurethane gaskets (up to 110°C)	025 25 mm	0090 angle 90°
	51 with cushioning, w/o magnet	11 Viton® gaskets (up to 180°C)	032 32 mm	0180 angle 180°
	61 with cushioning, with magnet		040 40 mm	0270 angle 270°
			050 50 mm	0360 angle 360°
			063 63 mm	9999 repair kit
			080 80 mm	
			100 100 mm	
			125 125 mm	
			160 160 mm	

For more options regarding materials or dimensions, please contact our technical dept.



In case of proximity sensing request, please use switches series KT-50 or KT-21 - see page 3-2 for details

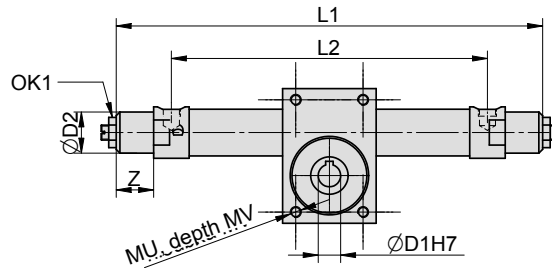
## Construction / materials

- caps: piston dia. 20 to 40: anodized dural, piston dia. 50 and more: aluminium casting
- gear body: anodized dural
- body: drawn dural tube, hard anodized
- regulation flange: piston dia. 20 to 40: none, piston dia. 50 and more: zinc plated cast iron
- rack and pinion: steel 1.0060
- pinion is mounted between ball bearings

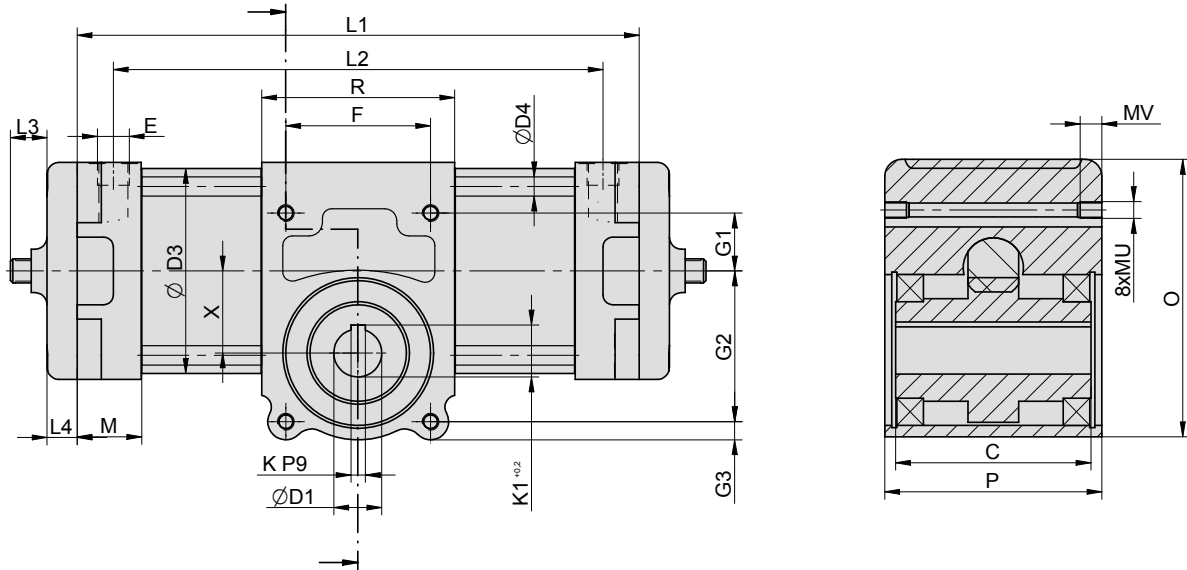


**Dimensions**

Piston diameter 20 to 40 mm:



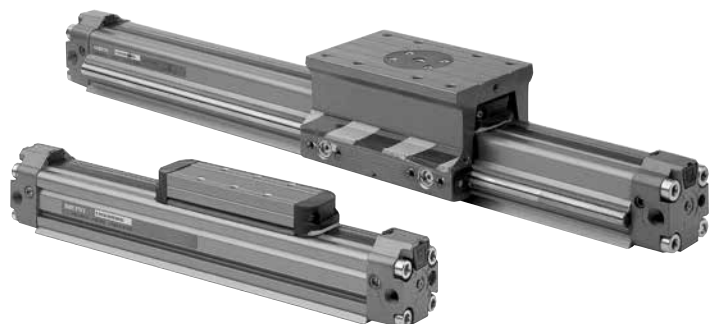
Piston diameter 50 mm and more:



Ø	C	D1	D2	D3	D4	E	F	G1	G2	G3	K	K1	L3 max.	L4	M	MU	MV	O	OK1	P	R	X	Z
20	42	12	22	25	27,5	G1/8 <sup>c</sup>	36	17	43	6	4	13,6	8	—	19	M6	8	72	14	54	50	23,5	20
25	42	12	24	30	32	G1/8 <sup>c</sup>	36	17	43	6	4	13,6	8	—	22	M6	8	72	14	54	50	23,5	14
32	42	12	30	36	40	G1/8 <sup>c</sup>	36	17	43	6	4	13,6	8	—	22	M6	8	72	14	54	50	23,5	21
40	42	12	35	46	50	G1/8 <sup>c</sup>	36	17	43	6	4	13,6	8	—	22	M6	8	72	14	54	50	23,5	14,5
50	60	18	—	55	8	G1/4 <sup>c</sup>	75	17	50	10,5	6	20,5	32	14	30	M8	12	97	—	73	96	27,5	—
63	60	18	—	68	8	G3/8 <sup>c</sup>	75	17	50	10,5	6	20,4	32	14	30	M8	12	97	—	73	96	27,5	—
80	94	24	—	86	10	G3/8 <sup>c</sup>	85	27	86	13,5	8	27	34	15	30	M10	13	155	—	111	116	46	—
100	94	24	—	106	8	G1/2 <sup>c</sup>	85	29	86	13,5	8	27	38	15	32	M12	15	155	—	111	116	46	—
125	162	40	—	132	12	G1/2 <sup>c</sup>	120	48	125	15	12	43,1	34	25	40	M14	18	230	—	180	160	68	—
160	162	40	—	167	16	G3/4 <sup>c</sup>	120	48	125	15	12	43,1	44	25	50	M14	18	230	—	180	160	68	—

Ø	20				25				32		40		50		63		80		100		125		160	
	L1		L2		L1		L2		L1	L2	L1	L2	L1	L2	L1	L2	L1	L2	L1	L2	L1	L2	L1	L2
	w/o mag	with mag	w/o mag	with mag	w/o mag	with mag	w/o mag	with mag																
90°	253	318	194	259	254	282	204	232	281	217	280	228	326	292	351	319	433	401	431	399	550	506	610	560
180°	312	377	253	318	313	341	263	292	340	276	339	287	397	363	422	390	546	514	544	512	720	676	780	730
270°	370	436	311	318	372	390	322	350	399	335	398	346	468	434	493	461	659	627	657	625	889	845	949	899
360°	430	495	371	436	431	459	381	409	458	394	457	405	538	504	563	531	772	740	770	738	1059	1015	1119	1069

# RODLESS PNEUMATIC CYLINDERS SERIES S1, S5, VL1



These mechanically coupled rodless cylinders offer long strokes with reduced installation place. Thanks to max. stroke up to 6 meters, these cylinders can be used in such applications, where use of standard cylinder is impossible. This series uses well-proved two bands principle. Series S5 is equipped with slide guide with plastic bearings, series VL1 is equipped with rolling guide with ball bearings. There is also locking unit available for series S5 and VL1 (for details please contact our technical dept.)

Working pressure	0,6 MPa
Min. pressure	0,35 MPa
Max. pressure	1,0 MPa
Temp. range	-20°C to +80°C
Working medium	modified compressed air
Carriage speed	min. 7 to 20 mms <sup>-1</sup> max. 3 ms <sup>-1</sup> (series S1) max. 1,5 ms <sup>-1</sup> (series S5) max. 2 ms <sup>-1</sup> (series VL1)

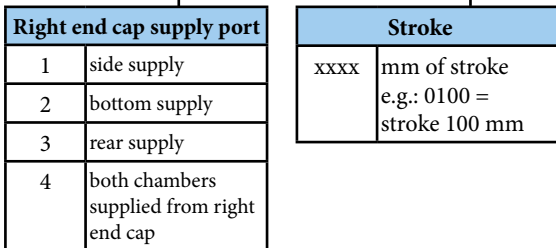
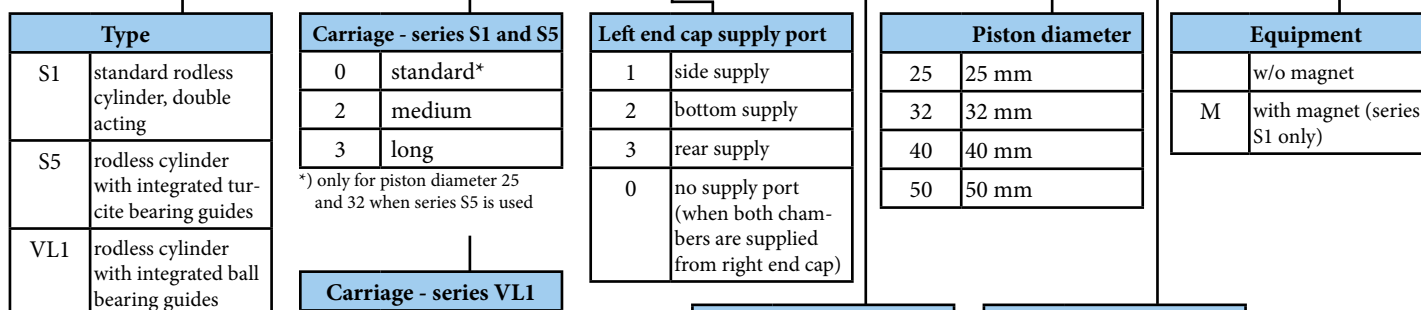
Piston diameter [mm]	25	32	40	50
Weight 0 mm stroke (series S1) [kg]	0,75	1,31	2,6	4,79
Weight 0 mm stroke (series S5) [kg]	1,63	2,78	6,1*	10,1*
Weight 0 mm stroke (series VL1) [kg]	2,10*	3,13*	6,34*	10,85*
Weight add. per 1 mm stroke (series S1) [kg]	0,21	0,325	0,555	0,955
Weight add. per 1 mm stroke (series S5) [kg]	0,365	0,495	0,92*	1,28*
Weight add. per 1 mm stroke (series VL1) [kg]	0,30*	0,42*	0,67*	1,02*

\*) Values with asterisk are valid for medium carriage, other values are for standard carriage.

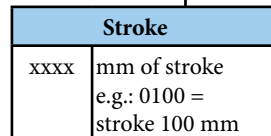
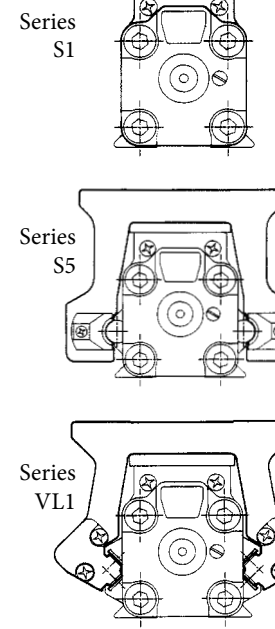
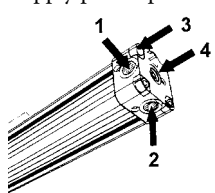
Piston diameter [mm]	25	32	40	50
Force at 0,6 MPa [N]	265	432	675	1053
Connection	G1/8"	G1/4"	G3/8"	G3/8"
Length of adjustable cushioning [mm]	25	32.5	41.5	52
Max. stroke [mm]	6000	6000	6000	6000

## Order codes

P S1 0 1 1 25 0500 M



Supply ports options:



**i** In case of proximity sensing request, please contact our technical dept. for details

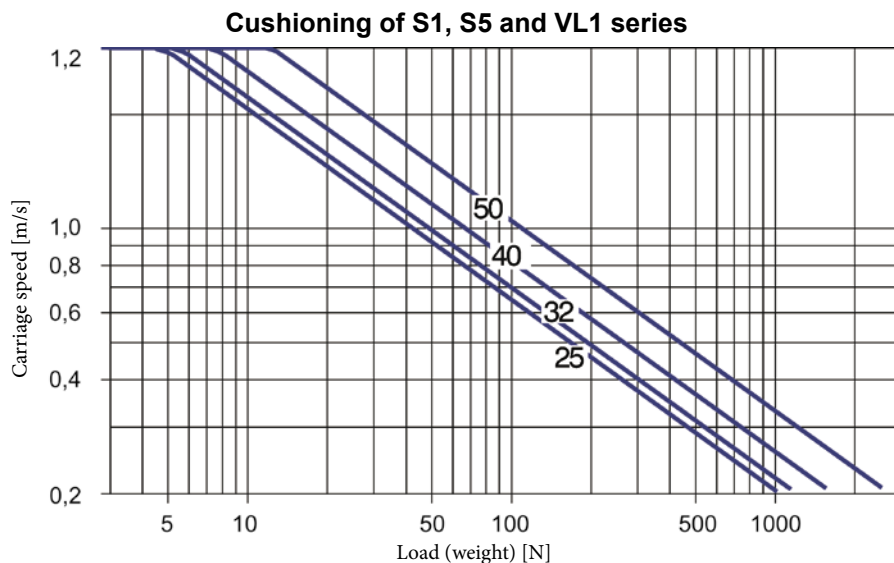
### Examination and selection of cushioning

In a system with dynamic masses as for example with the rodless cylinder, it is essential to control the dissipation of the kinetic energy during braking until standstill. The first thing to be done is to select cushioning. Two kinds are available: 1. internal cushioning and 2. external cushioning.

It is of special significance that the carriage with load does not hit the end cap at high speed. If the point corresponding to a given load and speed lies beneath the appropriate curve, the cushioning is able to absorb the kinetic energy of the system. Vice versa if the point lies above the curve, the cushioning is not able to absorb the kinetic energy, in which case you must:

- reduce load and keep the speed the same
- decrease the speed and maintain the load
- select a larger cylinder
- use external damping (see page 9-1)

Cushioning capacity is shown in the diagrams on the right (in respect to final speed, when carriages get close to end caps).



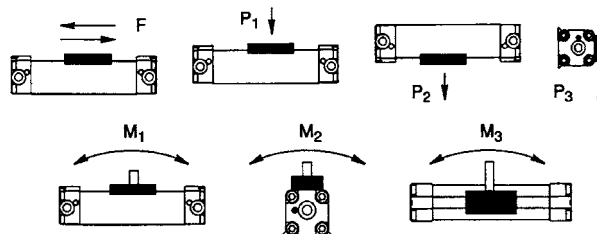
### Calculation of admissible load of cylinders series S1, S5 and VL1

#### Allowable values of static load for S1 series

∅	F [N]	P1 [N]	P2 [N]	P3 [N]	Standard carriage			Medium carriage			Long carriage		
					M1 [Nm]	M2 [Nm]	M3 [Nm]	M1 [Nm]	M2 [Nm]	M3 [Nm]	M1 [Nm]	M2 [Nm]	M3 [Nm]
25	250	200	200	50	8	2	3	14	3	5	25	6	9
32	420	250	250	65	9	3	4	15	4	7	28	8	12
40	640	350	350	90	11	9	14	16	14	20	31	27	39
50	1050	500	500	125	19	13	19	29	20	30	52	36	53

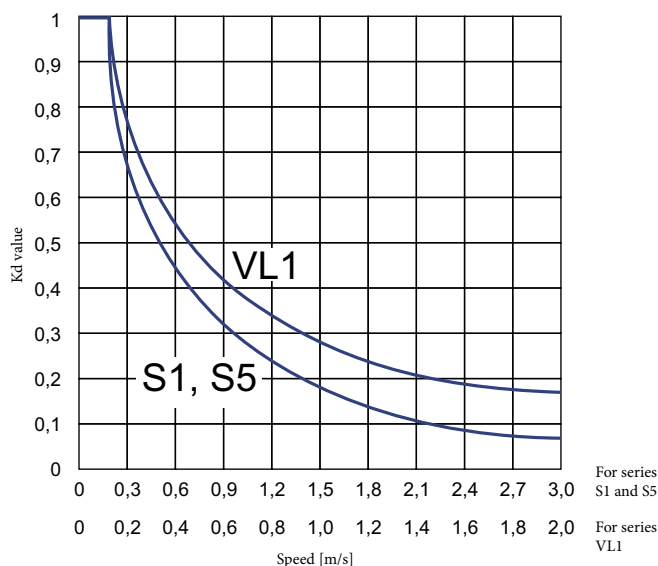
#### Allowable values of static load for S5 series

∅	F [N]	P1, P2, P3 [N]	Standard carriage			Medium carriage			Long carriage		
			M1 [Nm]	M2 [Nm]	M3 [Nm]	M1 [Nm]	M2 [Nm]	M3 [Nm]	M1 [Nm]	M2 [Nm]	M3 [Nm]
25	250	400	13	8	16	20	10	25	40	15	50
32	420	400	20	9	27	30	12	40	55	18	75
40	640	600	-	-	-	60	30	80	110	45	150
50	1050	800	-	-	-	85	50	110	150	75	210



#### Allowable values of static load for VL1 series

∅	F [N]	Medium carriage			Long carriage				
		P1, P2, P3 [N]	M1 [Nm]	M2 [Nm]	M3 [Nm]	P1, P2, P3 [N]	M1 [Nm]	M2 [Nm]	M3 [Nm]
25	250	700	34	17	34	1000	63	25	63
32	420	700	51	20	51	1000	93	30	93
40	640	1100	120	46	120	1600	230	69	230
50	1050	1500	170	85	170	2000	310	110	310



#### Allowable values of dynamic load for S1, S5 and VL1 series

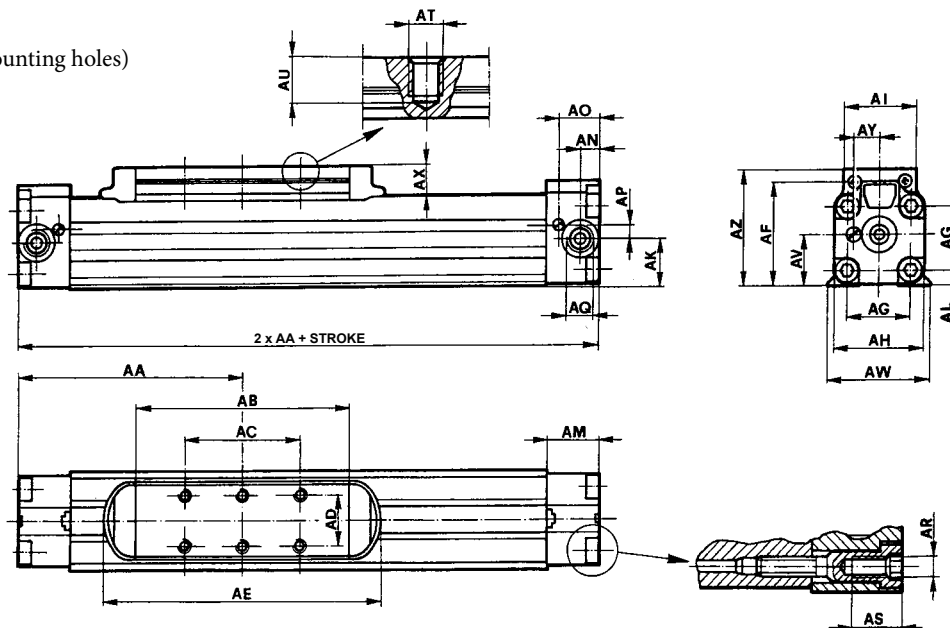
How to find allowable value at dynamic load:

- take Kd value from graph according to the speed
- allowable values of static load multiple by Kd value and we will get max. allowable value for dynamic load

# RODLESS PNEUMATIC CYLINDERS SERIES S1, S5, VL1

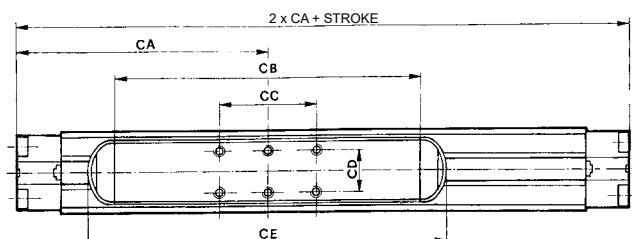
## Dimensions Series S1

Standard carriage (6 mounting holes)



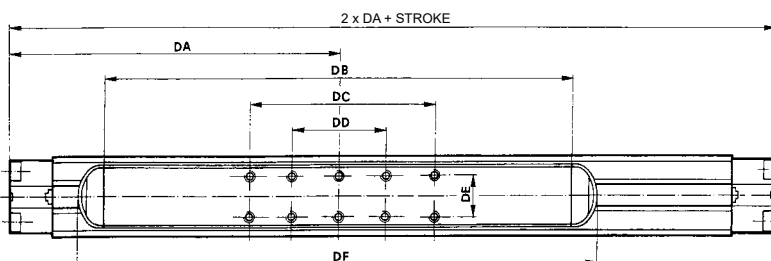
∅	AA	AB	AC	AD	AE	AF	AG	AH	AI	AK	AL	AM	AN	AO	AP	AQ	AR	AS	AT	AU	AV	AW	AX	AY	AZ
25	100	95	50	24	130	48,3	28	40,5	33	20,2	7	24	7,4	18,2	5,7	G1/8"	M5	12	M5	9	22,8	42,8	16	12,2	57,6
32	125	118	65	31	156	57	35	50	40	25,3	8	29	10,3	22,5	7,3	G1/4"	M6	15,5	M6	9	28	54,5	16	14,2	66,2
40	150	134	65	31	177	74	44	64	44	33,8	11,8	33	12,5	26,5	8,7	G3/8"	M8	20	M6	11	37	67	19,5	16,5	85,8
50	175	164	105	39	211	90,7	55	80	54	41,4	14,7	33	14,2	25,7	11,8	G3/8"	M10	20	M6	12	47,7	86	20,5	19,1	103

Medium carriage (6 mounting holes)



∅	CA	CB	CC	CD	CE
25	114,5	125	50	24	160
32	142,5	153	65	31	191
40	169	172	65	31	215
50	205	224	105	39	271

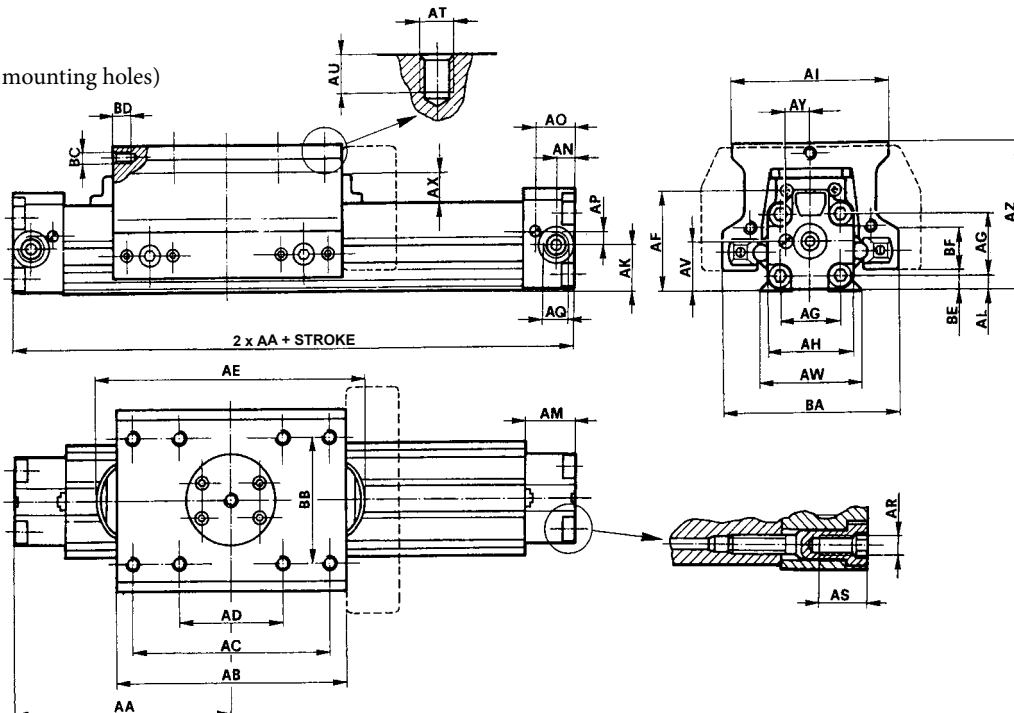
Long carriage (10 mounting holes)



∅	DA	DB	DC	DD	DE	DF
25	147,5	190	100	50	24	225
32	190	248	130	65	31	286
40	225	284	130	65	31	327
50	277	364	315	105	39	411

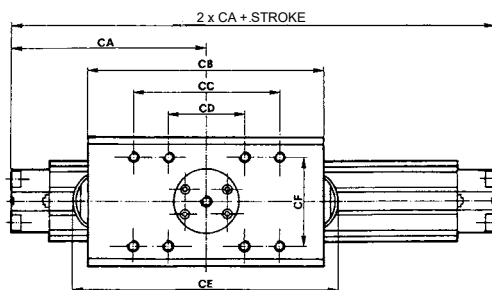
**Series S5**

Standard carriage (8 mounting holes)



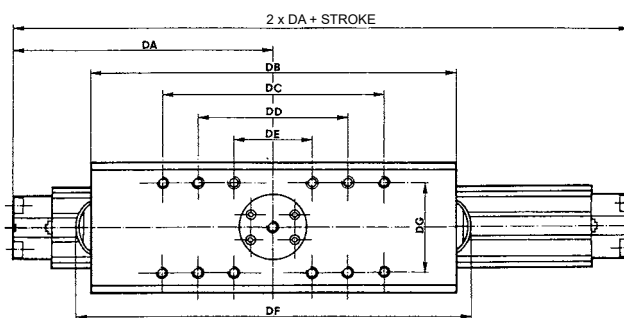
∅	AA	AB	AC	AD	AE	AF	AG	AH	AI	AK	AL	AM	AN	AO	AP	AQ	AR	AS	AT	AU	AV	AW	AX	AY	AZ	BA	BB	BC	BD	BE	BF
25	100	106	90	50	130	48,3	28	40,5	70	20,2	7	24	7,4	18,2	5,7	G1/8"	M5	12	M6	10	22,8	42,8	16	12,2	71,8	85	50	M6	15	5,7	24
32	125	140	115	55	156	57	35	50	88	25,3	8	29	10,3	22,5	7,3	G1/4"	M6	15,5	M8	12	28	57	16	14,2	82,5	100	67,5	M6	15	7	24,5
40	—	—	—	—	—	—	44	64	90	33,8	11,8	33	12,5	26,5	8,7	G3/8"	M8	20	M8	14	37	67	19,5	16,5	106,6	135	65	M6	15	7	39
50	—	—	—	—	—	—	55	80	100	41,4	14,7	33	14,2	25,7	11,8	G3/8"	M10	20	M8	16	47,7	86	20,5	19,1	123,7	149	76,5	M8	16	7,2	41

Medium carriage (8 mounting holes)



∅	CA	CB	CC	CD	CE	CF
25	114,5	136	90	50	160	50
32	142,5	175	115	55	191	67,5
40	169	205	180	75	215	65
50	205	258	190	80	271	76,5

Long carriage (12 mounting holes)

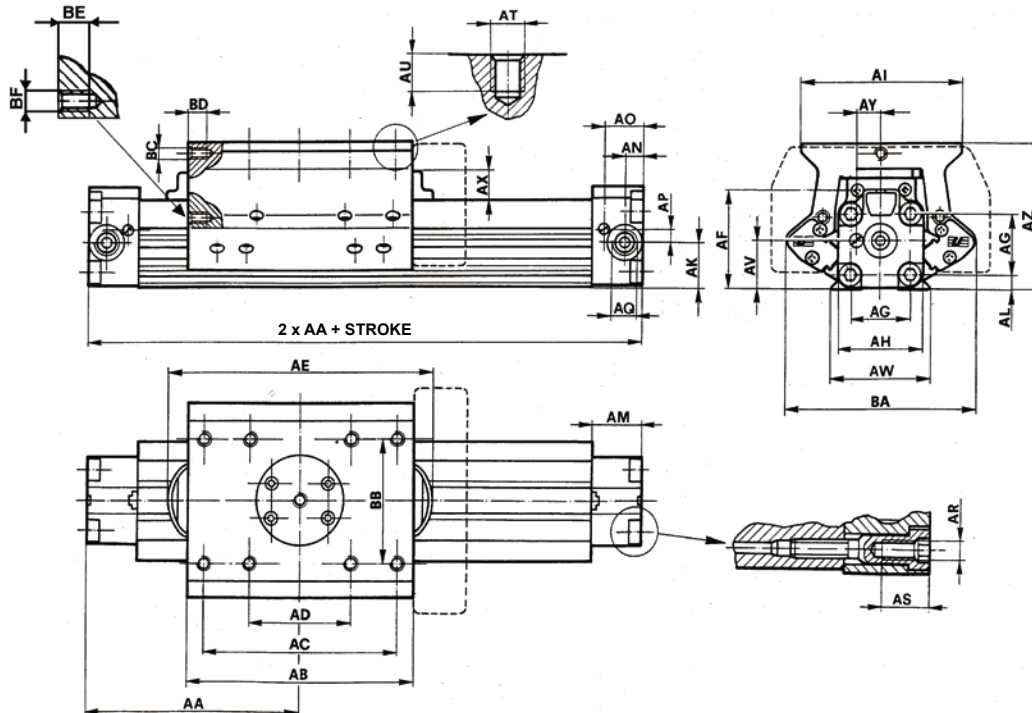


∅	DA	DB	DC	DD	DE	DF	DG
25	147,5	201	130	90	50	225	50
32	190	270	175	115	55	286	67,5
40	225	317	280	185	75	327	65
50	277	398	320	200	80	411	76,5

# RODLESS PNEUMATIC CYLINDERS SERIES S1, S5, VL1

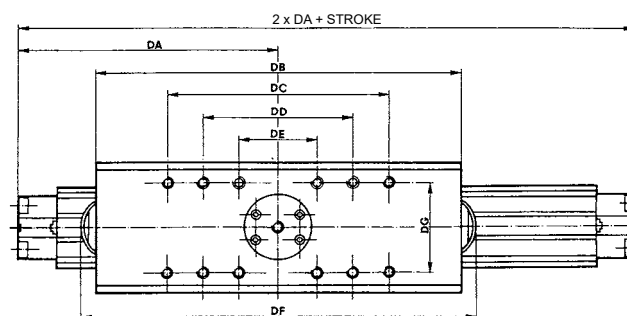
## Series VL1

Medium carriage (8 mounting holes)



∅	AA	AB	AC	AD	AE	AF	AG	AH	AI	AK	AL	AM	AN	AO	AP	AQ	AR	AS	AT	AU	AV	AW	AX	AY	AZ	BA	BB	BC	BD	BE	BF
25	114,5	136	90	50	160	48,3	28	40,5	83,5	20,2	7	24	7,4	18,2	5,7	G1/8"	M5	12	M6	12	22,8	42,8	16	12,2	74,3	111	50	M6	10	M6	10
32	142,5	175	115	55	191	57	35	50	92	25,3	8	29	10,3	22,5	7,3	G1/4"	M6	15,5	M8	12	28	57	16	14,2	82,5	118	67,5	M6	10	M6	10
40	169	205	180	75	215	74	44	64	125	33,8	11,8	33	12,5	26,5	8,7	G3/8"	M8	20	M8	14	37	67	19,5	16,5	106	158	65	M6	15	M6	15
50	205	258	190	80	271	90,7	55	80	140	41,4	14,7	33	14,2	25,7	11,8	G3/8"	M10	20	M8	15	47,7	86	20,5	19,1	126,2	173	100	-	-	M6	12

Long carriage (12 mounting holes)

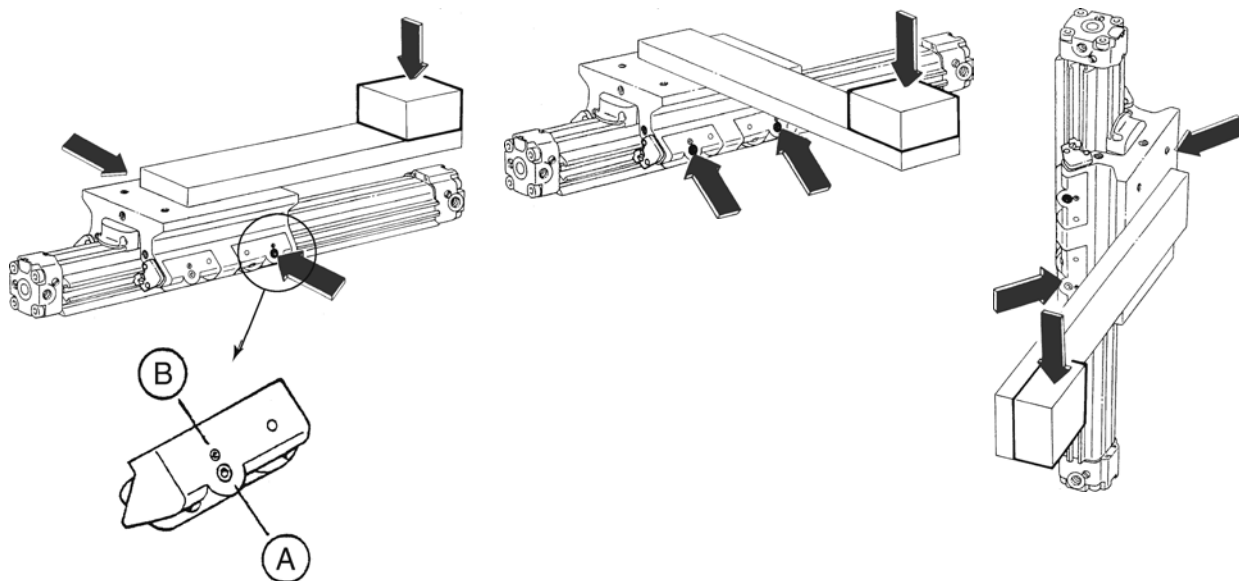
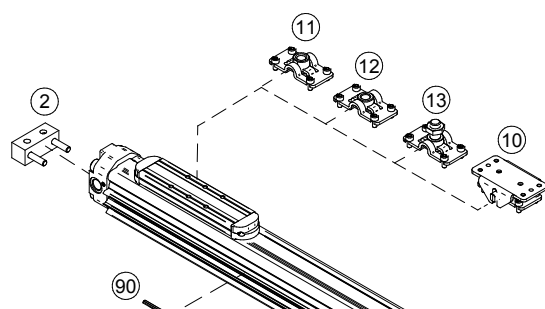
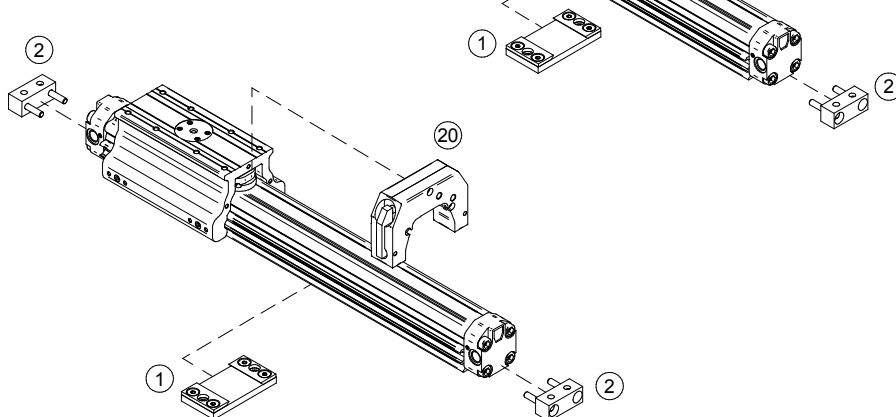


∅	DA	DB	DC	DD	DE	DF	DG
25	147,5	201	130	90	50	225	50
32	190	270	175	115	55	286	67,5
40	225	317	280	185	75	327	65
50	277	398	320	200	80	411	100



**Adjusting of the carriage of series VL1**

In case of off-centred loads it is necessary to adjust the screws A as shown below. The arrows indicate the screws to be adjusted, in accordance with the position of the load. Adjust the screw A by one turn or more depending on the load. Put a drop of Loctite 242 on the screw B and tighten it thoroughly. Finally loosen both screws by 90°.


**Mounting accessories**
**for series S1**

**for series S5 and VL1**


Mounting accessories	... see page
1 Mounting plate	... 4-15
2 Foot mounting	... 4-16
10 Floating flange	... 4-16
11 Female threaded connection	... 4-17
12 Female connection w/o thread	... 4-17
13 Male threaded pin	... 4-17
20 Locking unit	... ↗ *
90 Proximity switch	... ↗ *

\*) For more information about locking unit and proximity switches for rodless cylinders, please contact our technical dept.

# MAGNETICALLY COUPLED RODLESS PNEUMATIC CYLINDERS SERIES MCRPM



Magnetically coupled rodless cylinders series MCRPM offers long strokes with reduced installation place. Thanks to max. stroke up to 2 meters, these cylinders can be used in such applications, where use of standard cylinder is impossible. There is no fix connection between piston and carriage, when the force of magnet is exceeded, the carriage will move independently on piston. This feature is utilized as a safety feature, in some applications. Force transmission is provided by strong magnets in piston and carriage. There is no adjustable cushioning at end of stroke.

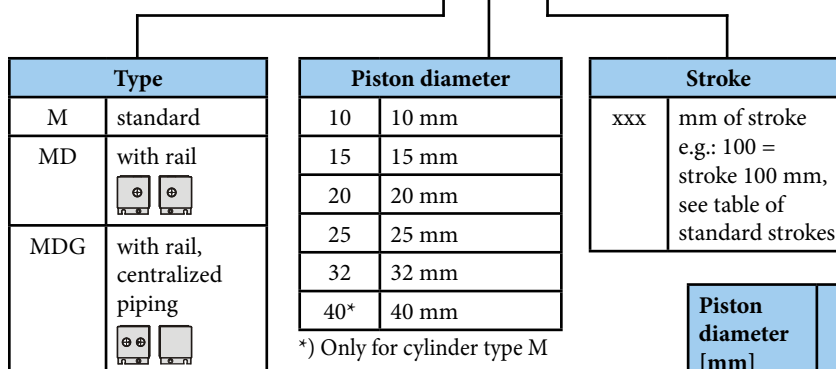
Working pressure	0,6 MPa
Min. pressure	0,16 MPa
Max. pressure	0,7 MPa
Temp. range	+5°C to +60°C
Working medium	modified compressed air
Carriage speed	50 to 500 mm <sup>s</sup> <sup>-1</sup>

Piston diameter [mm]	10	15	20	25	32	40
Force at 0,6 MPa [N]	40	95	170	265	432	675
Holding force of magnets [N]	54	137	231	363	588	922
Connection	M5	M5	G1/8"	G1/8"	G1/8"	G1/4"
Max. stroke of standard type * / type with rail [mm]	500 / 500	900 / 700	1500 / 1000	2000 / 1000	2000 / 1000	2000 / -
Weight 0 mm stroke of standard type / type with rail [kg]	0,09 / 0,16	0,23 / 0,30	0,41 / 0,52	0,66 / 0,71	1,18 / 1,24	2,00 / -
Weight add. per 1 mm stroke of standard type / type with rail [kg]	0,027 / 0,067	0,032 / 0,080	0,043 / 0,102	0,046 / 0,115	0,066 / 0,150	0,083 / -

\*) Values are valid for mounting on pad, max. strokes for mounting without pad are smaller. Please contact our technical dept.

## Order codes

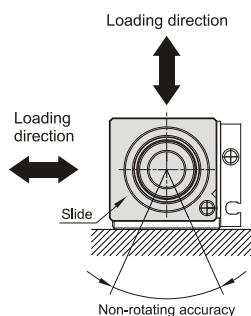
P MCRP M 20 100



## Allowable load of cylinder with rail

Piston dia. [mm]	Max. allowable load [N]	Non-rotating accuracy [°]	Max. torsion moment [Nm]
10	4	5	0,05
15	9	5	0,18
20	11	4	0,23
25	11	4	0,40
32	15	4	0,12

Note: Non-rotating accuracy will be reduced by distortion due to longer stroke and switch rail. Values are for 300 mm stroke.



Piston diameter [mm]	Standard stroke [mm]*
10, 15	100, 150, 200, 250, 300, 400, 500
20 to 40	100, 150, 200, 250, 300, 350, 400, 450, 500, 600, 700, 800

\*) Please consult us if stroke is out of specification, stroke increment is 1 mm

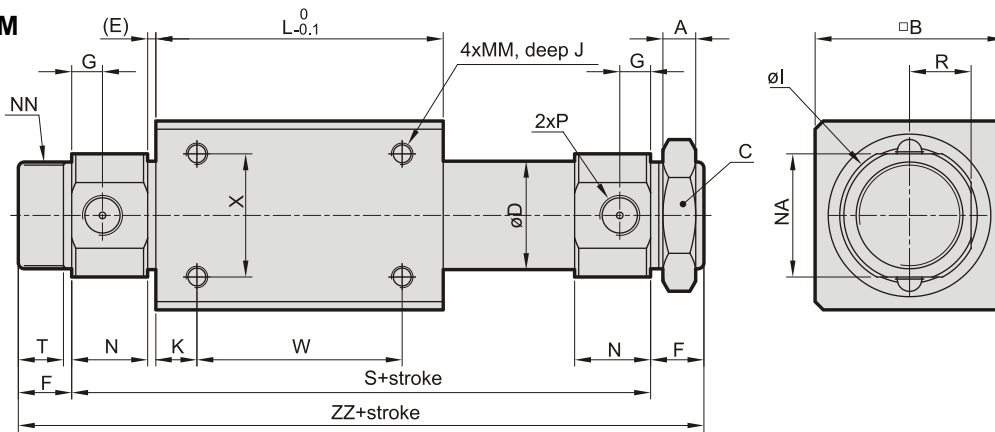
## Construction / materials

- caps, carriage, rail: anodized aluminium alloy
- tube: stainless steel
- yokes: nickel plated carbon steel
- seals: NBR



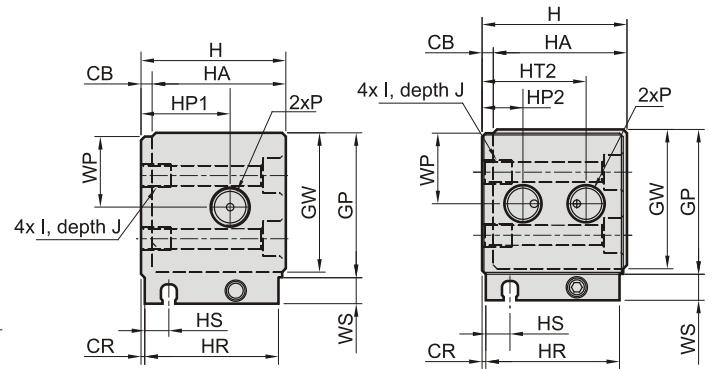
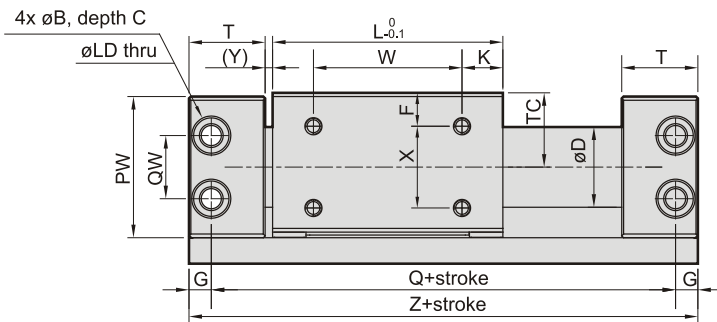
In case of proximity sensing request for cylinders with rail, please use switches series RCE/RPE/RNE - see page 3-10 for detail. There is no possible to use proximity sensing for standard cylinders (without rail).

## Dimensions Standard type - M

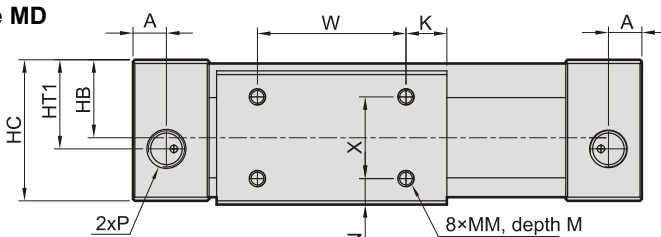


∅	A	B	C	D	E	F	G	I	J	K	L	MM	N	NA	NN	R	S	T	W	X	ZZ	P
10	4	25	14	12	1,5	9	5	16	4,5	4	38	M3	11	14	M10x1	7	63	7,5	30	16	81	M5
15	4	35	14	16,6	2	10	5,5	22	5	11	57	M4	11	20	M10x1	10	83	8,5	35	19	103	M5
20	8	36	26	21,6	2	13	7,5	28	6	8	66	M4	18	24	M20x1,5	12	106	10,5	50	25	132	G1/8"
25	8	46	32	26,4	2	13	7,5	34	8	10	70	M5	18,5	30	M26x1,5	15	111	10,5	50	30	137	G1/8"
32	8	60	32	33,6	2	16	8	40	8	15	80	M6	20	36	M26x1,5	18	124	14	50	40	156	G1/8"
40	10	70	41	41,6	3	16	11	50	10	16	92	M6	26	46	M32x2	23	150	13	60	40	182	G1/4"

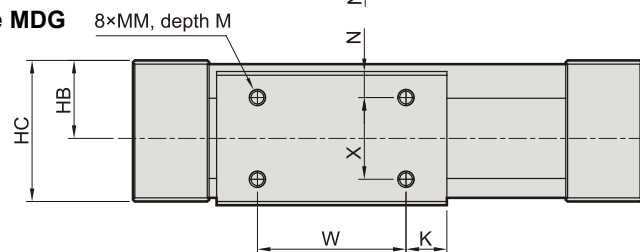
## Type with rail - MD and MDG



### Type MD



### Type MDG



Type MD

Type MDG

∅	A	B	C	CB	CR	D	F	G	GP	GW	H	HA
10	8,5	6,5	3,2	2	0,5	12	6,5	4	27	25,5	26	24
15	9,5	8	4,2	2	0,5	16,6	8	5	33	31,5	32	30
20	9	9,5	5,2	3	1	21,6	9	6	39	37,5	39	36
25	9	9,5	5,2	3	1	26,4	8,5	6	44	42,5	44	41
32	10,5	11	6,5	3	1,5	33,6	10,5	7	55	53,5	55	52

∅	HB	HC	HP	HP*	HR	HS	HT	HT*	I	J	K	L
10	13	25	14	—	24	4,5	14	—	M4	6	9	38
15	17	31	17	8,5	30	4,9	17	22	M5	7	14	53
20	21	38	24	11	36	6,5	24	28	M6	8	11	62
25	23,5	43	23,5	14,5	41	6,5	23,5	33,5	M6	8	15	70
32	29	54	29	20	51	6	29	40	M8	10	13	76

∅	LD	M	MM	N	P	PW	Q	QW	T	TC	W	WP	WP*	WS	X	Y	Z
10	3,3	4,5	M3	4,5	M5	26	68	14	17,5	14	20	13	—	7	15	1,5	76
15	4,3	5	M4	6	M5	32	84	18	19	17	25	16	13 / 19	7	18	1,5	94
20	5,4	5	M4	7	G1/8"	38	95	17	20,5	20	40	19	19	7	22	2	107
25	5,4	6	M5	6,5	G1/8"	43	105	20	21,5	22,5	40	21,5	21,5	7	28	2	117
32	6,8	7	M6	8,5	G1/8"	54	116	26	24	28	50	27	27	7	35	3	130

\*) Values for model MDG

# DOUBLE ACTING PNEUMATIC CYLINDERS SERIES MCGS TWIN GUIDE



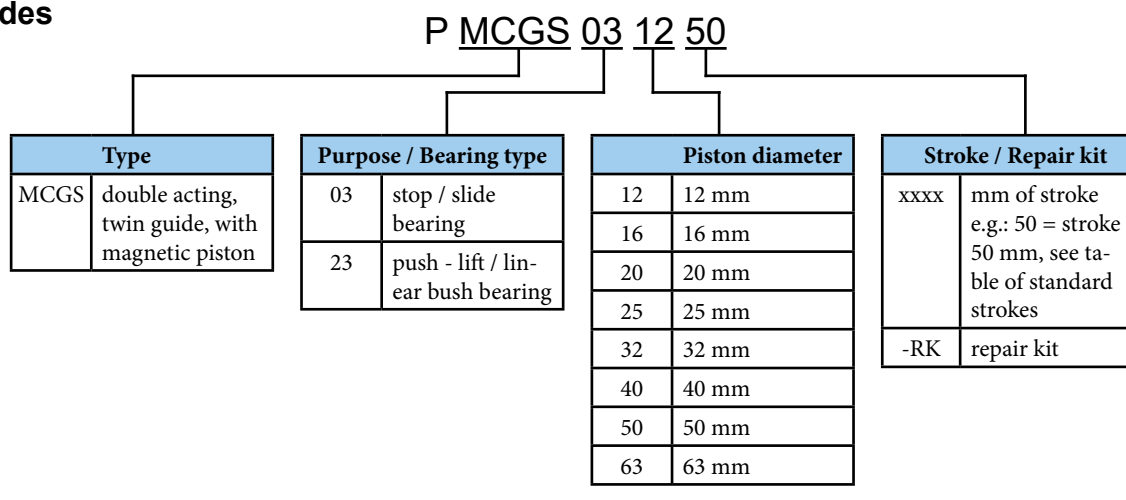
Cylinders series MCGS are due to heavy integrated bearing predetermined for applications, where is lateral load or torsional moment. It is possible to use them as stopper cylinders, where the slide bearing is used, or as push or lift cylinders, where the linear bush bearing is used. Cylinders are equipped with magnet for proximity switches. There is no adjustable cushioning, for cushioning at the end positions the rubber pad is used. Cylinders series MCGS are with compact design. The air connection is possible from two sides (from the top and side).

Working pressure	0,6 MPa
Min. pressure	0,1 MPa
Max. pressure	1,0 MPa
Temp. range	-5°C to +60°C
Working medium	modified compressed air

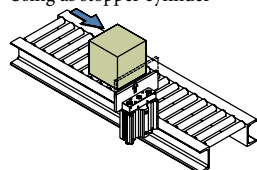
Piston diameter [mm]	12	16	20	25	32	40	50	63
Thrust at 0,6 MPa [N]	66	121	188	295	482	754	1178	1870
Return force at 0,6 MPa [N]	50	90	141	226	361	633	989	1681
Connection	M5	M5	G1/8"	G1/8"	G1/8"	G1/8"	G1/4"	G1/4"
Max. stroke [mm]	250*	250*	400*	400*	400*	400*	400*	150*

\*) Please consult our technical dept. if you require other than standard stroke (see table below)

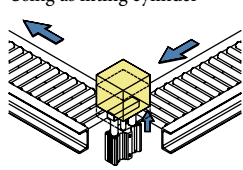
## Order codes



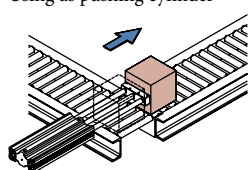
Using as stopper cylinder



Using as lifting cylinder



Using as pushing cylinder

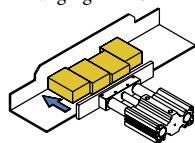


Piston Ø [mm]	Standard stroke [mm]*
12, 16	10, 20, 30, 40, 50, 75, 100, 125, 150, 175, 200, 250
20, 25	20, 30, 40, 50, 75, 100, 125, 150, 175, 200, 250, 300, 350, 400
32, 40, 50	25, 50, 75, 100, 125, 150, 175, 200, 250, 300, 350, 400
63	25, 50, 75, 100, 125, 150

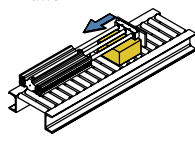
\*) Please consult us if stroke is out of specification

More examples of using:

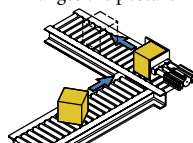
Arranging in line



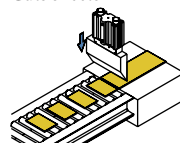
Draws in



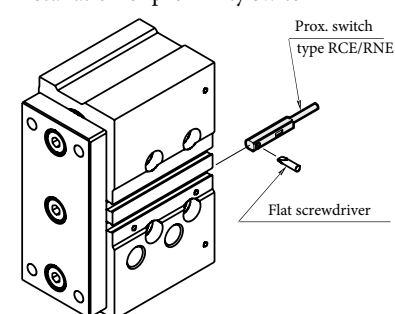
Arranges the posture



Cuts sheets



Installation of proximity switch



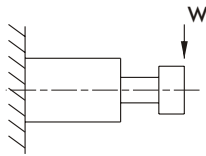
## Construction / materials

- caps: steel, anodized aluminium for piston dia. 40 mm and more
- body: drawn aluminium alloy
- piston rod: stainless steel, carbon steel for piston dia. 25 mm and more
- guide rods: carbon steel
- plate: steel
- bearing: brass alloy for slide bearing, linear bush bearing



In case of proximity sensing request, please use switches series RCE/RPE/RNE - see page 3-10 for detail

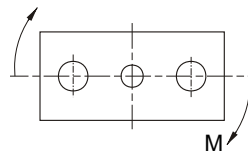
## Allowable load Allowable lateral load



Shows the dynamic allowable value, when actuating the cylinder with lateral load  $W$  at the guide rod's top (vertical load against the guide rods).

Stroke	Type	Piston diameter							
		12	16	20	25	32	40	50	63
10	03	31	50	—	—	—	—	—	—
	23	23	36	—	—	—	—	—	—
20	03	24	39	51	68	—	—	—	—
	23	17	29	43	67	—	—	—	—
25	03	—	—	—	—	165	203	296	296
	23	—	—	—	—	104	113	120	117
30	03	19	32	44	59	—	—	—	—
	23	14	24	36	56	—	—	—	—
40	03	16	27	39	52	—	—	—	—
	23	34	59	98	148	—	—	—	—
50	03	13	24	35	46	129	164	245	245
	23	30	52	87	132	74	78	83	81
75	03	37	54	54	72	106	182	273	273
	23	23	40	69	105	165	129	178	176
100	03	31	45	46	61	90	159	241	241
	23	19	33	57	87	138	106	148	145
125	03	15	27	74	98	138	142	216	216
	23	12	20	46	70	114	130	148	145
150	03	13	24	66	88	123	127	195	195
	23	11	17	40	62	100	114	129	126
175	03	12	21	59	79	111	190	190	—
	23	9	15	36	55	90	106	106	—
200	03	10	19	54	72	101	174	174	—
	23	8	13	32	50	81	95	95	—
250	03	9	16	28	53	88	150	150	—
	23	6	10	32	42	66	78	78	—
300	03	—	—	24	46	77	132	132	—
	23	—	—	27	36	56	67	67	—
350	03	—	—	21	41	68	118	118	—
	23	—	—	23	30	48	58	58	—
400	03	—	—	19	37	61	106	106	—
	23	—	—	20	27	42	50	50	—

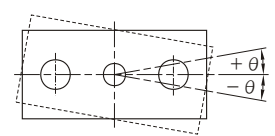
## Allowable rotating torque



Shows the dynamic allowable value, when actuating the cylinder with a rotating torque  $M$  at the guide rod's top.

Stroke	Type	Piston diameter							
		12	16	20	25	32	40	50	63
10	03	0,64	1,14	—	—	—	—	—	—
	23	0,47	0,84	—	—	—	—	—	—
20	03	0,48	0,90	1,14	2,19	—	—	—	—
	23	0,35	0,66	1,19	2,14	—	—	—	—
25	03	—	—	—	—	6,61	7,00	13,0	14,7
	23	—	—	—	—	4,17	5,24	7,02	7,77
30	03	0,39	0,74	1,21	1,88	—	—	—	—
	23	0,29	0,54	0,99	1,79	—	—	—	—
40	03	0,32	0,63	1,07	1,65	—	—	—	—
	23	0,71	1,35	2,69	4,74	—	—	—	—
50	03	0,28	0,55	0,95	1,47	5,16	5,66	10,8	12,1
	23	0,62	1,19	2,40	4,22	2,95	4,25	5,76	3,35
75	03	0,75	1,23	1,49	2,31	4,23	6,27	12,0	13,5
	23	0,40	0,93	1,89	3,36	6,60	7,19	12,3	13,7
100	03	0,63	1,04	1,25	1,94	3,59	5,48	10,6	12,0
	23	0,38	1,76	1,56	2,78	5,52	6,33	10,9	12,2
125	03	0,15	0,31	2,03	3,15	5,52	4,87	9,50	10,7
	23	0,13	0,23	1,26	2,25	4,56	7,81	11,2	12,5
150	03	0,13	0,27	1,81	2,8	4,93	4,38	8,60	6,69
	23	0,11	0,19	1,10	1,98	4,02	7,11	10,2	11,4
175	03	0,12	0,24	1,63	2,52	4,45	5,21	5,88	—
	23	0,09	0,17	0,98	1,76	3,59	2,93	3,30	—
200	03	0,11	0,22	1,48	2,3	4,06	4,79	5,41	—
	23	0,08	0,15	0,88	1,59	3,24	2,61	2,94	—
250	03	0,09	0,18	0,37	0,85	1,72	4,13	4,66	—
	23	0,07	0,12	0,43	0,68	1,29	2,16	2,43	—
300	03	—	—	0,32	0,74	1,50	3,63	4,09	—
	23	—	—	0,36	0,57	1,09	1,83	2,06	—
350	03	—	—	0,29	0,66	1,33	3,23	3,65	—
	23	—	—	0,31	0,49	0,94	1,58	1,78	—
400	03	—	—	0,26	0,59	1,20	2,92	3,29	—
	23	—	—	0,27	0,42	0,82	1,39	1,57	—

## Anti-roll accuracy



The value are the deflection angle against the piston rod. Deflection of a guide rods is not included.

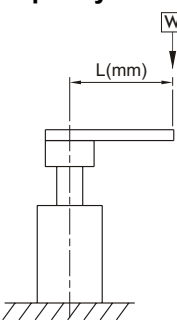
Type	Piston dia. [mm]		
	12	16	20
03	±0,09°	±0,08°	±0,08°
23	±0,06°	±0,06°	±0,03°

Type	Piston dia. [mm]		
	25	32	40
03	±0,07°	±0,07°	±0,06°
23	±0,05°	±0,03°	±0,08°

Type	Piston dia. [mm]	
	50	63
03	±0,05°	±0,05°
23	±0,06°	±0,06°

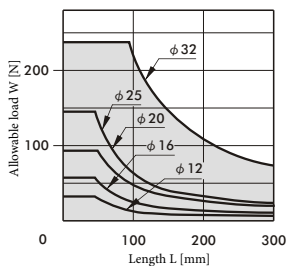
## Capacity for use as lifter

Allowable eccentricity load  $W$  [N] for the use as lifter at supply pressure 0,5 MPa.

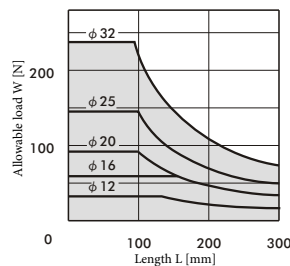


### Type 03 - slide bearing

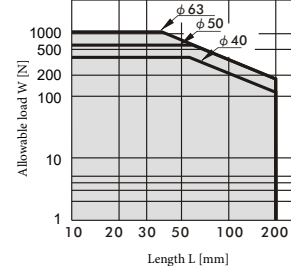
Stroke 10 to 50 mm



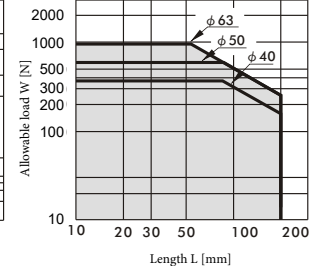
Stroke 75 to 200 mm



Stroke 25 to 50 mm

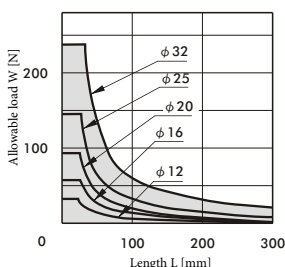


Stroke 75 to 100 mm

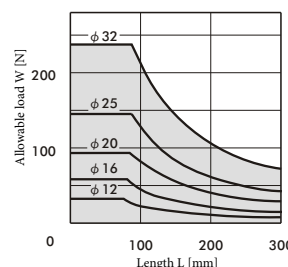


### Type 23 - linear bush bearing

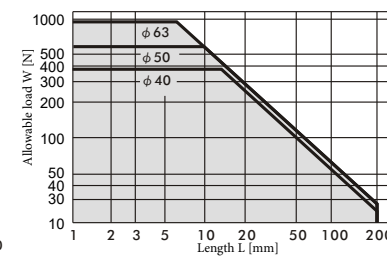
Stroke 10 to 50 mm



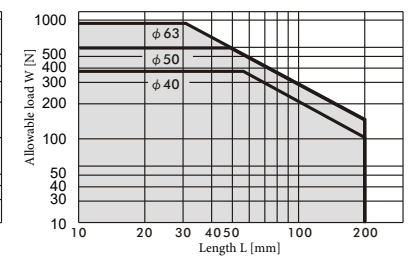
Stroke 75 to 200 mm



Stroke 25 to 50 mm



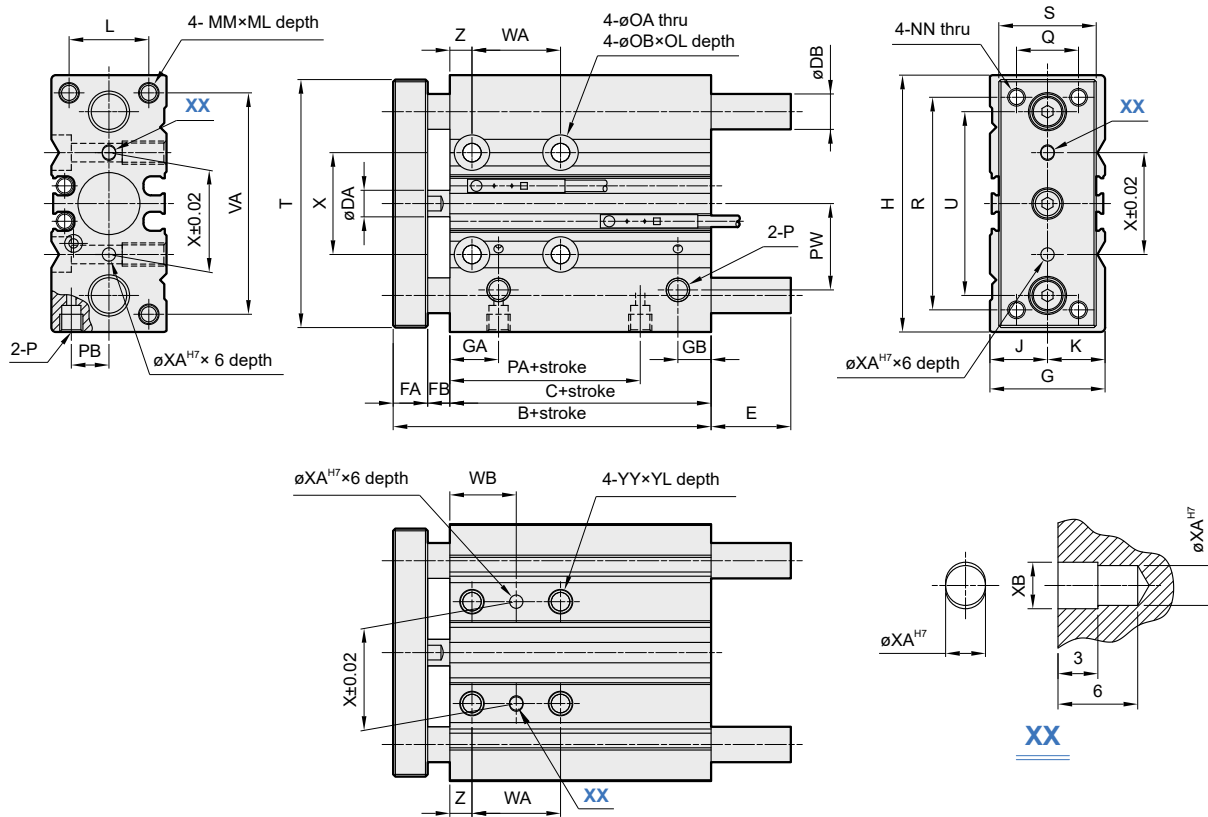
Stroke 75 to 100 mm



# DOUBLE ACTING PNEUMATIC CYLINDERS SERIES MCGS TWIN GUIDE

## Diameters

Piston diameter 12 to 32 mm - series MCGS



Back side

∅	B	C	DA	DB type 03	DB type 23	FA	FB	G	GA	GB	H	J	K	L	MM	ML	NN	OA	OB	OL	P	PA	PB	PW	Q	R	S
12	42	29	6	8	6	8	5	26	11	15 <sup>*1</sup>	58	13	13	18	M4	10	M4	4,3	8	4,5	M5	14	8,5	18	14	48	22
16	46	33	8	10	8	8	5	30	11	18 <sup>*2</sup>	64	15	15	22	M5	12	M5	4,3	8	4,5	M5	15	10	19	16	54	25
20	53	37	10	12	10	10	6	36	10,5	8,5	85	17	19	24	M5	13	M5	5,2	9,5	5,5	G1/8 <sup>6</sup>	12,5	11,5	25	18	70	30
25	53,5	37,5	12	16	13	10	6	42	11,5	9	96	21	21	30	M6	15	M6	5,2	9,5	5,5	G1/8 <sup>6</sup>	12,5	13,5	28,5	26	78	38
32	59,5	37,5	16	20	16	12	10	51	12,5	9	116	26	25	34	M8	20	M8	6,6	11	7,5	G1/8 <sup>6</sup>	7	16	34	30	96	44

\*1) for stroke up to 20 mm, the value of GB=7,5 mm

\*2) for stroke up to 20 mm, the value of GB=9 mm

∅	T	U	VA	X	XA	XB	YY	YL	Z
12	56	41,5	50	23	3	3,5	M5	10	5
16	62	46	56	24	3	3,5	M5	10	5
20	81	55	72	28	3	3,5	M6	12	17
25	91	65	82	34	4	4,5	M6	12	17
32	110	80	98	42	4	4,5	M8	16	21

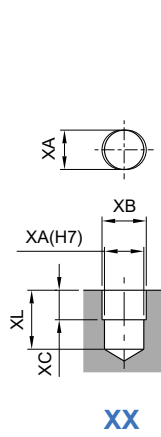
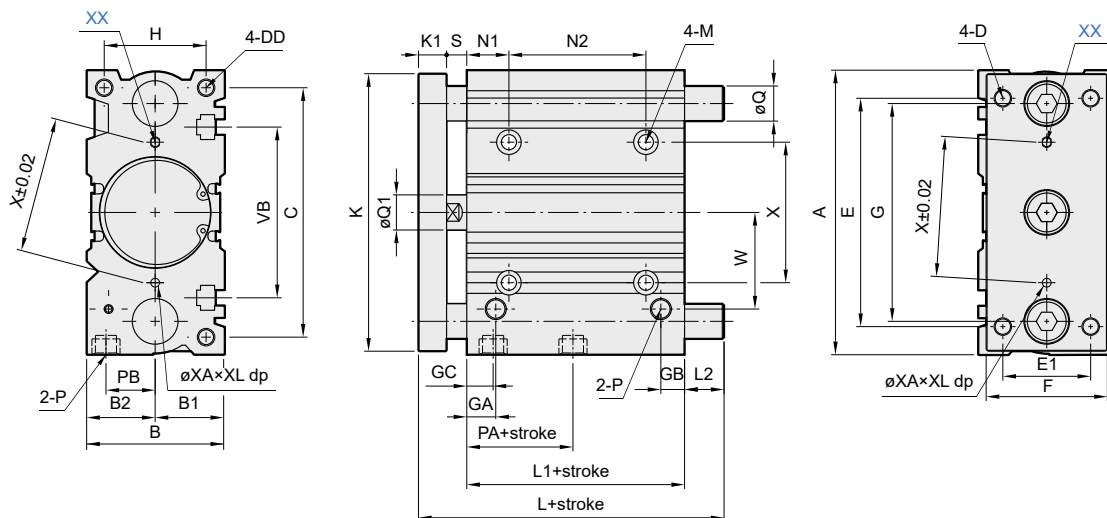
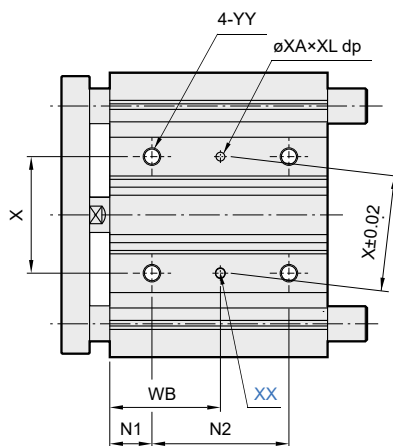
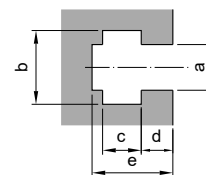
∅	WA for stroke					WB for stroke				
	20-39	40-100	125-200	201-300	301-	20-39	40-100	125-200	201-300	301-
12	20	40	110	200	—	15	25	60	105	—
16	24	44	110	200	—	17	27	60	105	—
20	24	44	120	200	300	29	39	77	117	167
25	24	44	120	200	300	29	39	77	117	167

∅	E type 03, for stroke			
	10-50	51-100	101-200	201-
12	—	18,5	43	43
16	—	18,5	49	49
20	—	31,5	31,5	69
25	—	31,5	31,5	68,5
32	37,5	42,5	42,5	80,5

∅	WA for stroke					WB for stroke				
	25-49	50-100	125-200	201-300	301-	25-49	50-100	125-200	201-300	301-
32	24	48	124	200	300	33	45	83	121	171

∅	E type 23, for stroke			
	10-30	31-100	101-200	201-
12	1	13	43	43
16	3	19	49	49
20	10	27	51	69
25	16	32	51	68,5
32	21,5	38,5	58,5	80,5



**Piston diameter 40 to 63 mm - series MCGS**

**XX**

**Back side**
**T slot for hexagon head bolt**


∅	T - slot				
	a	b	c	d	e
40	6,5	10,5	5,5	4	11
50	8,5	13,5	7,5	4,5	13,5
63	11	17,8	10	7	18,5

∅	A	B	B1	B2	C	D	DD	E	E1	F	G	GA	GB	GC	H	K	K1	L1	M	N1	P	PA	PB	Q1	S	VB	W	X
40	120	54	27	27	106	M8	M8 dp. 20	104	30	44	86	14	10	14	40	118	12	44	∅6,6 thru, ∅11 dp.7,5	22	G1/8"	13	18	16	10	72	38	50
50	148	64	32	32	130	M10	M10 dp.22	130	40	60	110	14	11	12	46	146	16	44	∅8,6 thru, ∅14 dp. 9	24	G1/4"	9	21,5	20	12	92	47	66
63	162	78	39	39	142	M10	M10 dp.22	130	50	70	124	16,5	13,5	16,5	58	158	16	49	∅8,6 thru, ∅14 dp. 9	24	G1/4"	14	28	20	12	110	55	80

∅	L type 03, for stroke		L type 23, for stroke			L2 type 03, for stroke			L2 type 23, for stroke				N2 for stroke					Q type 03	Q type 23	WB for stroke				
	25, 50	51-	25, 50	75, 100	101-	25, 50	51-200	201-	25, 50	75, 100	101-200	201-	25	50-100	101-200	201-300	301-			25	50-100	101-200	201-300	301-
40	97	102	81	98	118	31	36	63,5	15	32	52	72,5	24	48	124	200	300	20	16	34	46	84	122	172
50	106,5	118	93	114	134	34,5	46	—	21	42	62	—	24	48	124	—	—	25	20	36	48	86	—	—
63	106,5	118	93	114	134	29,5	41	—	16	37	57	—	28	52	128	—	—	25	20	38	50	88	—	—

∅	XA H7	XB	XC	XL	YY
40	4	4,5	3	6	M8, dp. 16
50	5	6	4	8	M10, dp. 20
63	5	6	4	8	M10, dp. 20

# DOUBLE ACTING PNEUMATIC CYLINDERS SERIES MCGD TWIN GUIDE, SLIDE



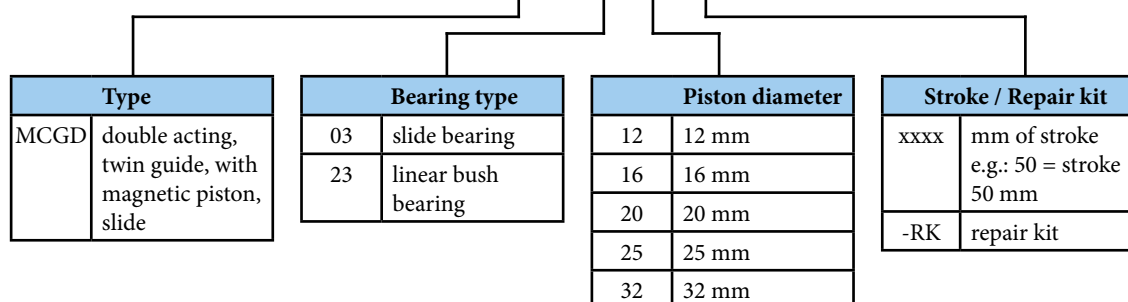
Cylinders series MCGD can be used as cylinders with slide plates or body slide. Cylinders series MCGD are designed as compact makes the cylinder working more smoothly and showing the characteristics of its high-strength and high-stiffness. Cylinders are equipped with magnet for proximity switches. The recessed groove for sensor switch keeps space saving and interference is avoided. The body and plate are reserved with many holes and threads for mounting. It is suitable for various mounting requirement. There is no adjustable cushioning, for cushioning at the end positions the rubber pad is used.

Working pressure	0,6 MPa
Min. pressure	0,1 MPa
Max. pressure	1,0 MPa
Temp. range	-5°C to +60°C
Working medium	modified compressed air

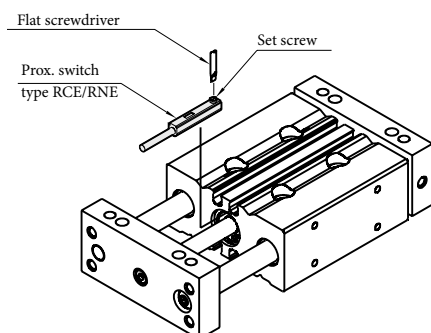
Piston diameter [mm]	12	16	20	25	32
Thrust at 0,6 MPa [N]	50	102	158	248	415
Return force at 0,6 MPa [N]	50	102	158	248	415
Connection	M5	M5	G1/8"	G1/8"	G1/8"
Max. stroke [mm]	100	150	150	150	250

## Order codes

P MCGD 03 12 50



### Installation of proximity switch



Piston dia. [mm]	Bearing type	Standard stroke [mm]*								
		30	50	75	100	125	150	175	200	250
12	03	•	•	•	•					
16, 20, 25		•	•	•	•	•				
32		•	•	•	•	•	•	•	•	•
12	23	•	•	•	•					
16, 20		•	•	•	•	•				
25			•	•	•	•				
32			•	•	•	•	•	•	•	•

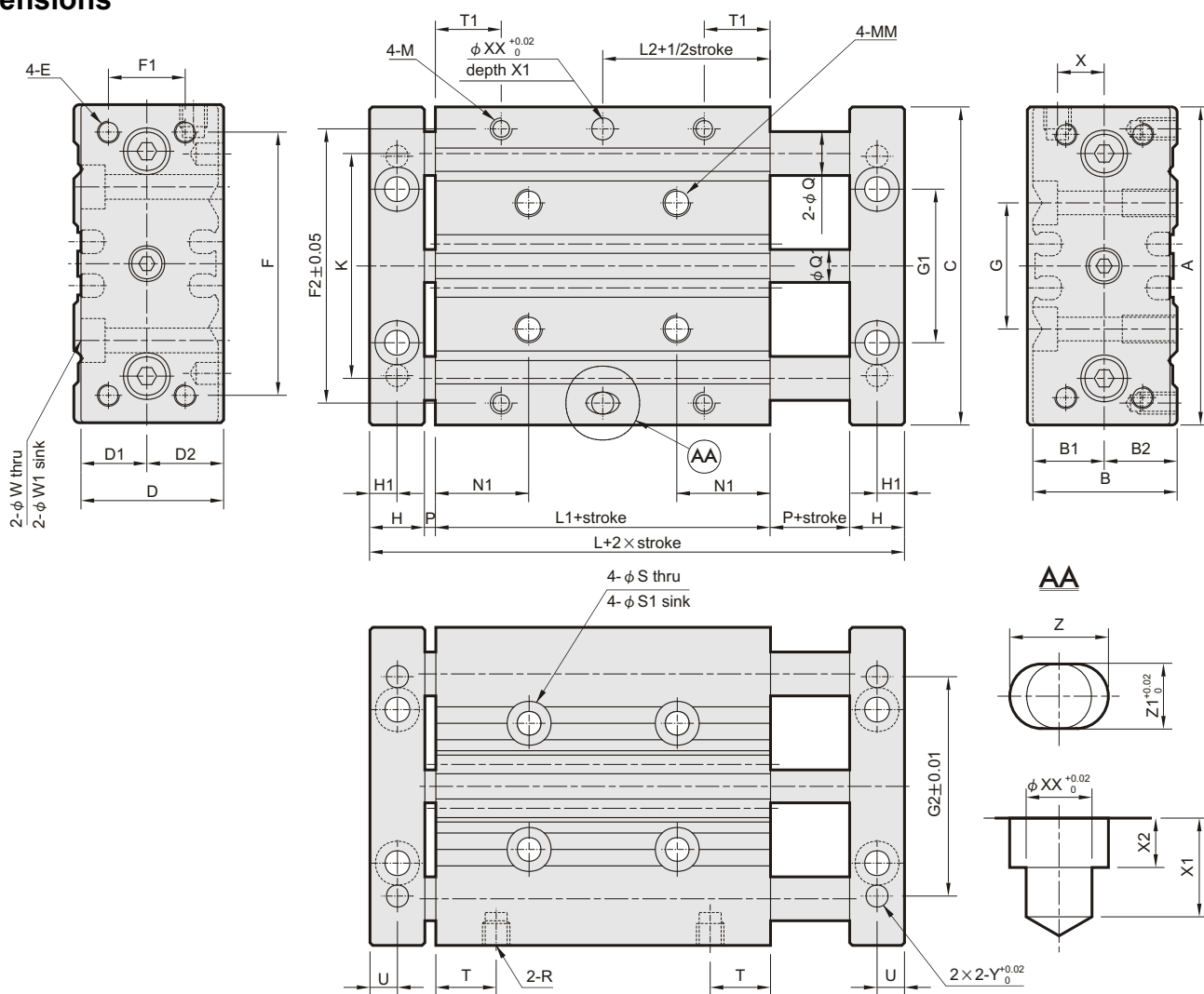
\*) Please consult us if stroke is out of specification

## Construction / materials

- caps: aluminium alloy
- body: aluminium alloy
- piston rod: carbon steel
- guide rods: carbon steel for slide bearing, bearing steel for linear bush bearing
- plate: aluminium alloy
- bearing: copper for slide bearing, linear bush bearing



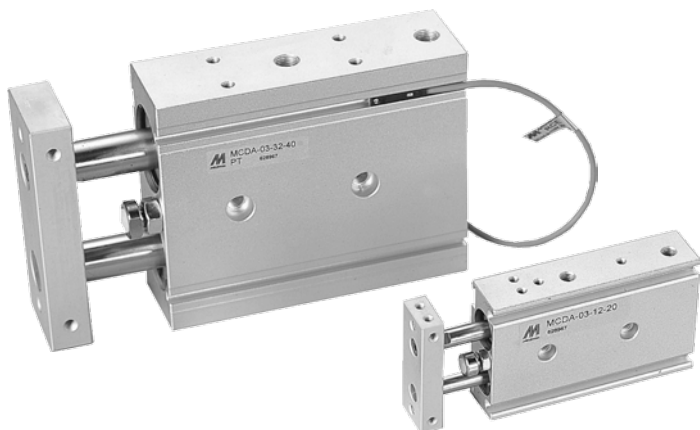
In case of proximity sensing request, please use switches series RCE/RPE/RNE - see page 3-10 for detail

**Dimensions**


$\emptyset$	A	B	B1	B2	C	D	D1	D2	E	F	F1	F2	G	G1	G2	H	H1	K	L	L1	L2	M	MM	N1	Q (type 03)	Q (type 23)	Q1	P	R
12	58	26	13	13	58	26	12	14	M4	48	14	50	23	28	40	10	5	41,5	55	31	15,5	M4 dp. 7	M5 dp. 10	17	8	6	2	M5	
16	64	30	15	15	64	30	14	16	M5	52	16	54	24	32	50	12	6	46	62	34	17	M5 dp. 7	M5 dp. 10	17	10	8	2	M5	
20	85	36	19	17	85	36	16	20	M5	60	18	64	28	37	70	12	6	55	66	38	19	M5 dp. 7	M6 dp. 12	20,5	12	10	2	G1/8"	
25	96	42	21	21	96	42	20	22	M6	70	26	76	34	44	84	12	6	65	67	39	19,5	M6 dp. 9	M6 dp. 12	19,5	16	13	2	G1/8"	
32	116	51	25	26	116	51	24	27	M8	96	30	100	42	56	76	14	7	80	68	36	18	M8 dp. 11	M8 dp. 16	20	20	16	2	G1/8"	

$\emptyset$	S	S1	T	T1	U	W	W1	X	XX	X1	X2	Y	Z	Z1
12	4,3	8 dp. 4,5	11	12	5	4,5	8 dp. 4,5	8,5	4	6	3	$\emptyset 4$ dp. 5	6	4
16	4,3	8 dp. 4,5	11	13	6	4,5	8 dp. 4,5	10	5	6	3	$\emptyset 5$ dp. 5	7	5
20	5,2	9,5 dp. 5,5	13,5	14	6	5,5	9,5 dp. 5,5	11,5	6	8	4	$\emptyset 6$ dp. 8	8	6
25	5,2	9,5 dp. 5,5	11	12	6	5,5	9,5 dp. 5,5	13,5	6	8	4	$\emptyset 6$ dp. 8	8	6
32	6,8	11,5 dp. 6,5	11	16,5	7	6,6	11 dp. 6,5	16	8	12	6	$\emptyset 8$ dp. 12	10	8

# DOUBLE ACTING PNEUMATIC CYLINDERS SERIES MCDA DOUBLE PISTON ROD



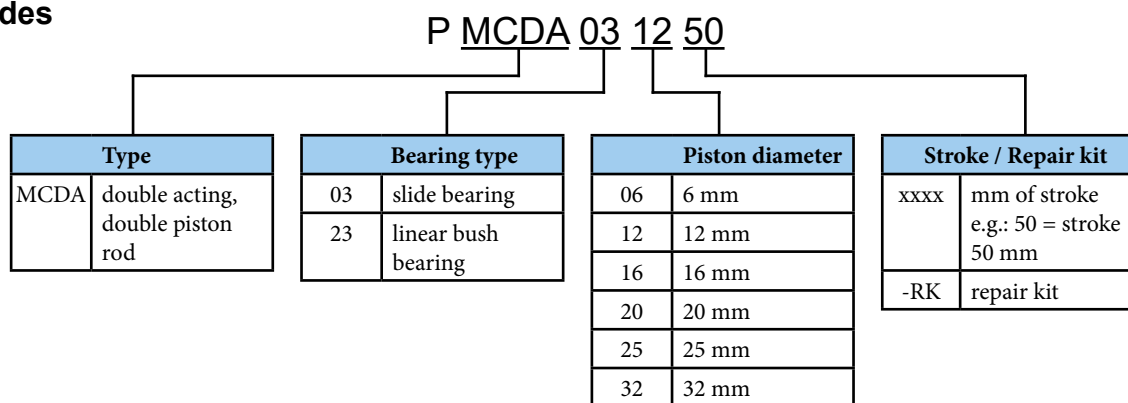
Thin and compact double piston rod cylinders series MCDA with high precision guiding are used not only for precision picking and placing. High lateral load can be applied due to highly accurate slide bearing and linear bush bearing. Cylinders are equipped with magnet for proximity switches. The body and plate are reserved with many holes and threads for mounting. It is suitable for various mounting requirements. There is no adjustable cushioning, for cushioning at the end positions the rubber pad is used.

Working pressure	0,5 MPa
Min. pressure	0,15 MPa for $\varnothing 6$ 0,1 MPa for $\varnothing 12$ and 16 0,05 MPa for $\varnothing 20$ to 32
Max. pressure	0,7 MPa
Temp. range	-5°C to +60°C
Working medium	modified compressed air

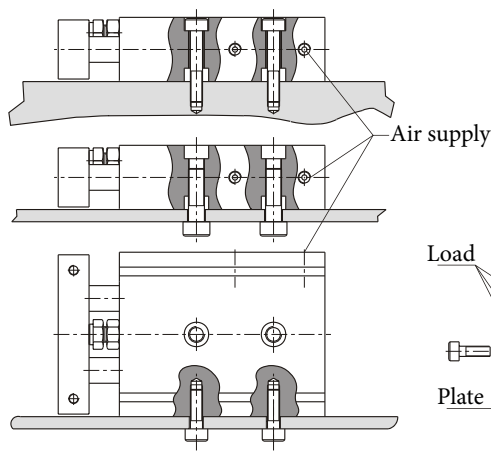
Piston diameter [mm]	6	12	16	20	25	32
Thrust at 0,6 MPa [N]	34	136	241	377	589	965
Return force at 0,6 MPa [N]	19	102	181	283	453	724
Connection	M5	M5	M5	G1/8"	G1/8"	G1/8"
Max. stroke [mm]	30 (50*)	75	100 (120*)	100 (130*)	100 (150*)	100 (150*)

\*) Please consult our technical dept. if you require other than standard stroke (see table below)

## Order codes



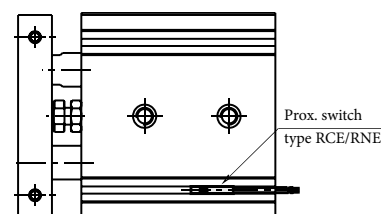
Various examples of mounting the cylinder:



Piston dia. [mm]	Standard stroke [mm]*														
	10	15	20	25	30	35	40	45	50	60	70	75	80	90	100
6	•		•		•										
12	•	•	•	•	•	•	•	•	•	•	•	•			
16 to 32	•	•	•	•	•	•	•	•	•	•	•	•	•	•	•

\*) Please consult us if stroke is out of specification  
Note: Each standard stroke is adjustable in range 0 to +5 mm

Installation of proximity switch



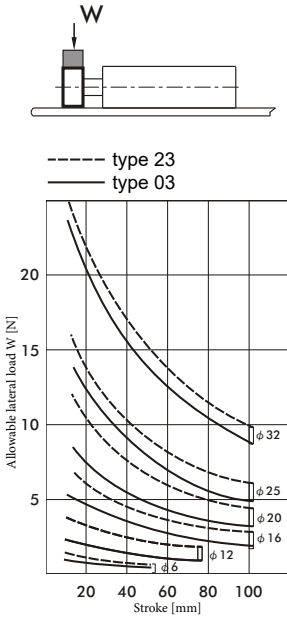
## Construction / materials

- caps: aluminium alloy
- body: aluminium alloy
- piston rod (type 03): stainless steel for piston dia. up to 20 mm incl., carbon steel for piston dia. 25 and 32 mm
- piston rod (type 23): bearing steel
- plate: aluminium alloy
- bearing: copper alloy for slide bearing, linear bush bearing

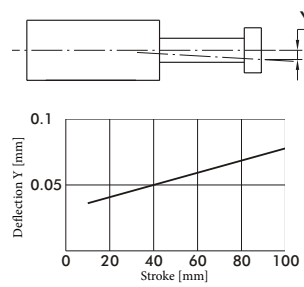
**i** In case of proximity sensing request, please use switches series RCE/RPE/RNE - see page 3-10 for detail

## Allowable load

### Allowable lateral load

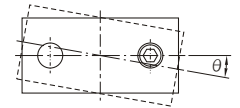


### Capacity for use as a pusher

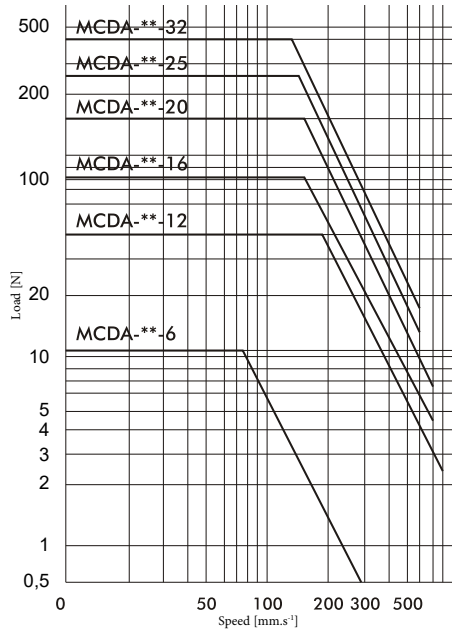


In the actual operation, load at the top should be below the allowable top load.

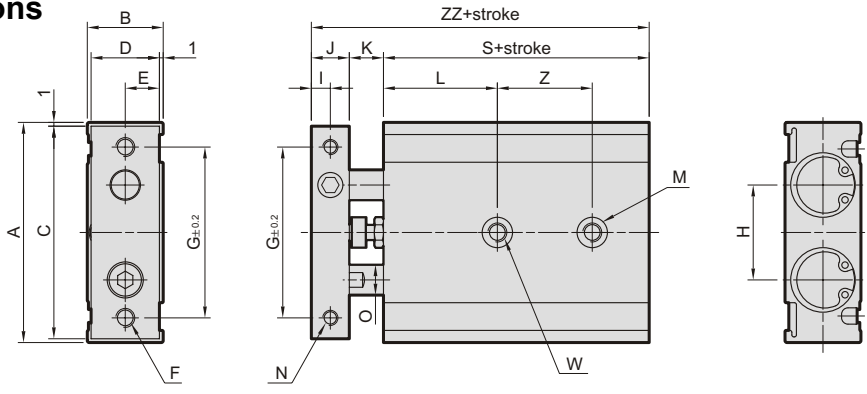
### Anti-roll accuracy



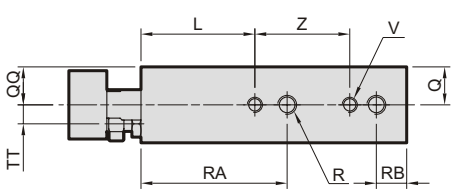
Type	Piston dia. [mm]
03	$\pm 0,1^\circ$
23	$\pm 0,15^\circ$



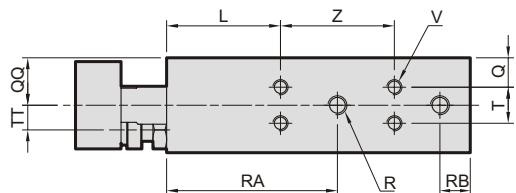
## Dimensions



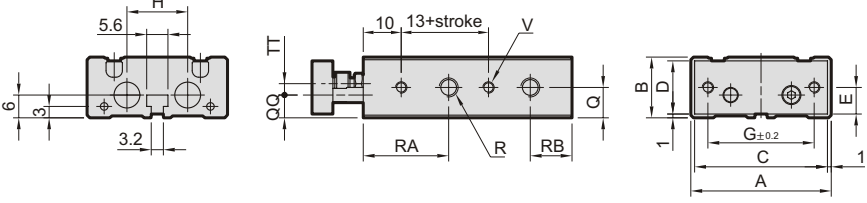
### Piston diameter 12 and 16 mm



### Piston diameter 20 to 32 mm



### Piston diameter 6 mm

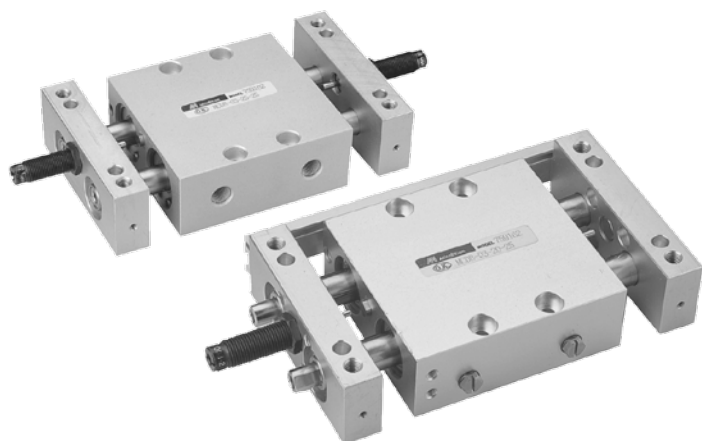


Ø	Z (for stroke)				
	10-25	30-50	60-75	80	90-100
6	10+1/2 stroke (10-30mm)				
12	30	40	50	—	—
16	25	35	45	45	55
20	30	40	60	60	60
25	30	40	60	60	60
32	40	50	70	70	70

Ø	A	B	C	D	E	F (thru)	G	H	I	J	K	L	M (both sides)	N (both sides)	O	Q	QQ	R (both sides)	RA	RB	S	T	TT	V (both sides)	W (thru)	ZZ
6	37	16	35	14	7	2xM3	28	16	2,75	5,5	8	13	2xØ6,5 dp. 3,3 <sup>1)</sup>	2xM3 thru	4	8	6	4xM5	22,5	11	45	—	3	4xM3 dp. 4,5	2xØ3,4	58,5
12	46	18	44	16	8	2xM4	35	19	4	8	9	20	4xØ6,5 dp. 3,3	4xM3 dp. 5	6	9	10	4xM5	30	8	55	—	3,5	4xM3 dp. 4,5	2xM4	72
16	58	20	56	18	9	2xM5	45	25	5	10	9	30	4xØ8 dp. 4,4	4xM4 dp. 6	8	10	10	4xM5	38,5	8	60	—	5	4xM4 dp. 5	2xM5	79
20	64	25	62	23	11,5	2xM5	50	28	6	12	12	30	4xØ9,5 dp. 5,3	4xM4 dp. 6	10	7,75	12,5	4xM5	45	8	70	9,5	6,5	8xM4 dp. 5,5	2xM6	94
25	80	30	78	28	14	2xM6	60	35	6	12	12	30	4xØ11 dp. 6,3	4xM5 dp. 8	12	8,5	15	4xG1/8"	46	9	72	13	9	8xM5 dp. 7,5	2xM8	96
32	98	38	96	36	18	2xM6	75	44	8	16	14	30	4xØ11 dp. 6,3	4xM5 dp. 8	16	9	19	4xG1/8"	56	10	82	20	11,5	8xM5 dp. 7,5	2xM8	112

1) single side only

# DOUBLE ACTING PNEUMATIC CYLINDERS SERIES MCDB DOUBLE PISTON ROD, SLIDE



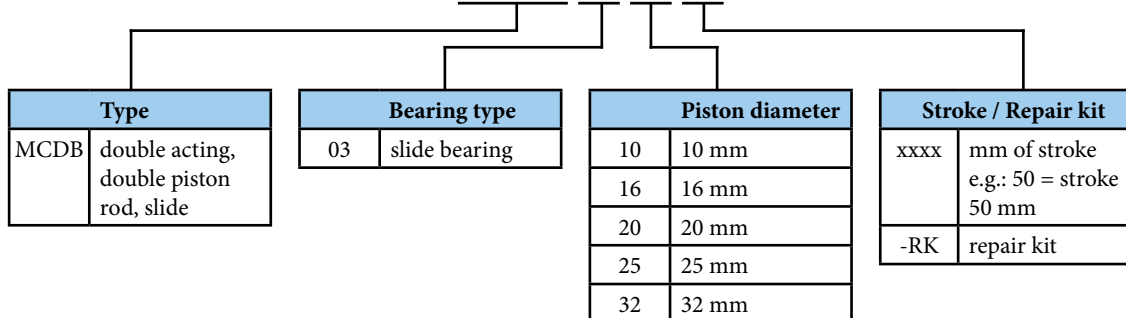
Thin and compact double piston rod cylinders series MCDB with high precision guiding are used not only for precision positioning. High lateral load can be applied due to highly accurate slide bearing and linear bush bearing. Cylinders are equipped with magnet for proximity switches. The body and plate are reserved with many holes and threads for mounting. It is suitable for various mounting requirement. The hydraulic shock absorber is used for cushioning on both sides.

Working pressure	0,6 MPa
Min. pressure	0,15 MPa for $\varnothing 10$ and 16 0,1 MPa for $\varnothing 20$ to 32
Max. pressure	1,0 MPa
Temp. range	-5°C to +60°C
Working medium	modified compressed air

Piston diameter [mm]	10	16	20	25	32
Thrust at 0,6 MPa [N]	60	147	241	453	588
Connection	M5	M5	M5	G1/8"	G1/8"
Max. stroke [mm]	75	200	200	200	200
Available speed range [mm.s <sup>-1</sup> ]	30 to 500	30 to 500	30 to 500	30 to 500	30 to 500
Cushioning at en positions	hydraulic shock absorber in both positions				

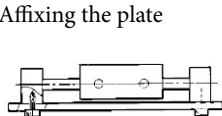
## Order codes

P MCDB 03 20 50

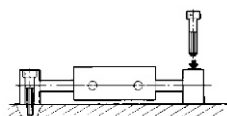


Various examples of mounting the cylinder:

Affixing the plate



Mounting from the bottom side

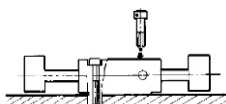


Mounting from the upper side

Affixing the body



Mounting from the bottom side



Mounting from the upper side

Piston dia. [mm]	Standard stroke [mm]*							
	25	50	75	100	125	150	175	200
10	•	•	•					
16 to 32	•	•	•	•	•	•	•	•

\*) Please consult us if stroke is out of specification  
Note: Each standard stroke is adjustable in range -2 to +2 mm

## Construction / materials

- caps: aluminium alloy
- body: aluminium alloy
- piston rod: carbon steel
- plate: aluminium alloy
- bearing: copper

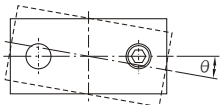


Cylinders can be equipped with magnet for proximity sensing. In case of this request, please contact our technical dept. for details



## Allowable load

### Non-rotating accuracy



	Piston diameter [mm]				
	10	16	20	25	32
Angle	±0,09°	±0,03°	±0,03°	±0,02°	±0,01°

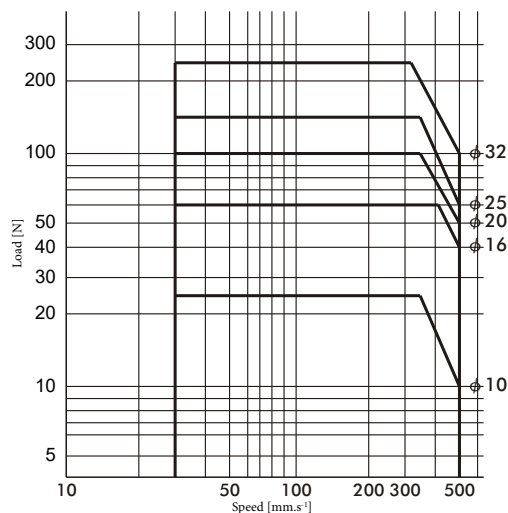
The values are the deflection angle against the piston rod. Deflection of a piston rod is not included.

### Max. movable load

Load [N]	Piston diameter [mm]				
	10	16	20	25	32
	10	40	50	60	100

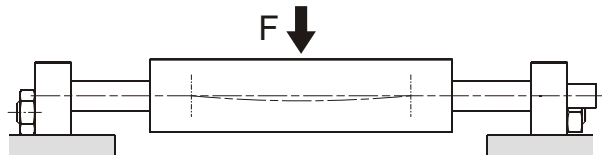
Place the centre of gravity of the load and centre of the slide unit close during the operation.

Allowable speed range is 30 to 500 mm.s<sup>-1</sup>.



### Deflection of the piston rod by centre loading

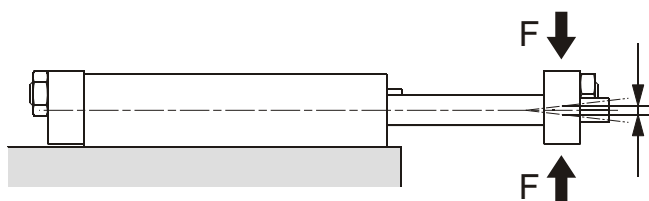
- when centre loading is applied to the middle of the body



Deflection values [mm]

Piston diameter [mm]	Load [N]	Stroke [mm]	
		100	200
10	10	0,07	—
16	40	0,05	0,2
20	50	0,04	0,15
25	60	0,02	0,08
32	100	0,02	0,07

- when centre loading is applied to the middle of the plate



Deflection values [mm]

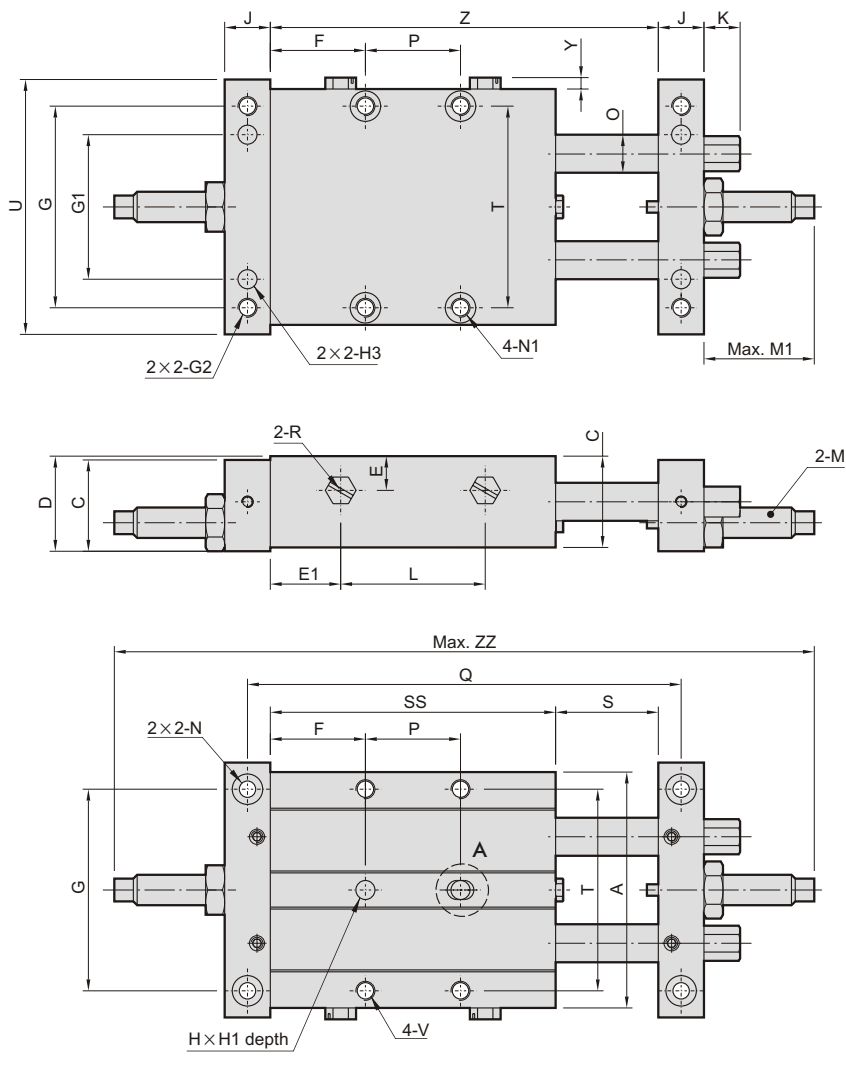
Piston diameter [mm]	Load [N]	Stroke [mm]			
		50	100	150	200
10	3	0,06	0,30	—	—
16	5	0,03	0,10	0,25	0,45
20	8	0,03	0,09	0,18	0,35
25	10	0,03	0,09	0,16	0,25
32	30	0,02	0,05	0,10	0,15

# DOUBLE ACTING PNEUMATIC CYLINDERS SERIES MCDB DOUBLE PISTON ROD, SLIDE



## Dimensions

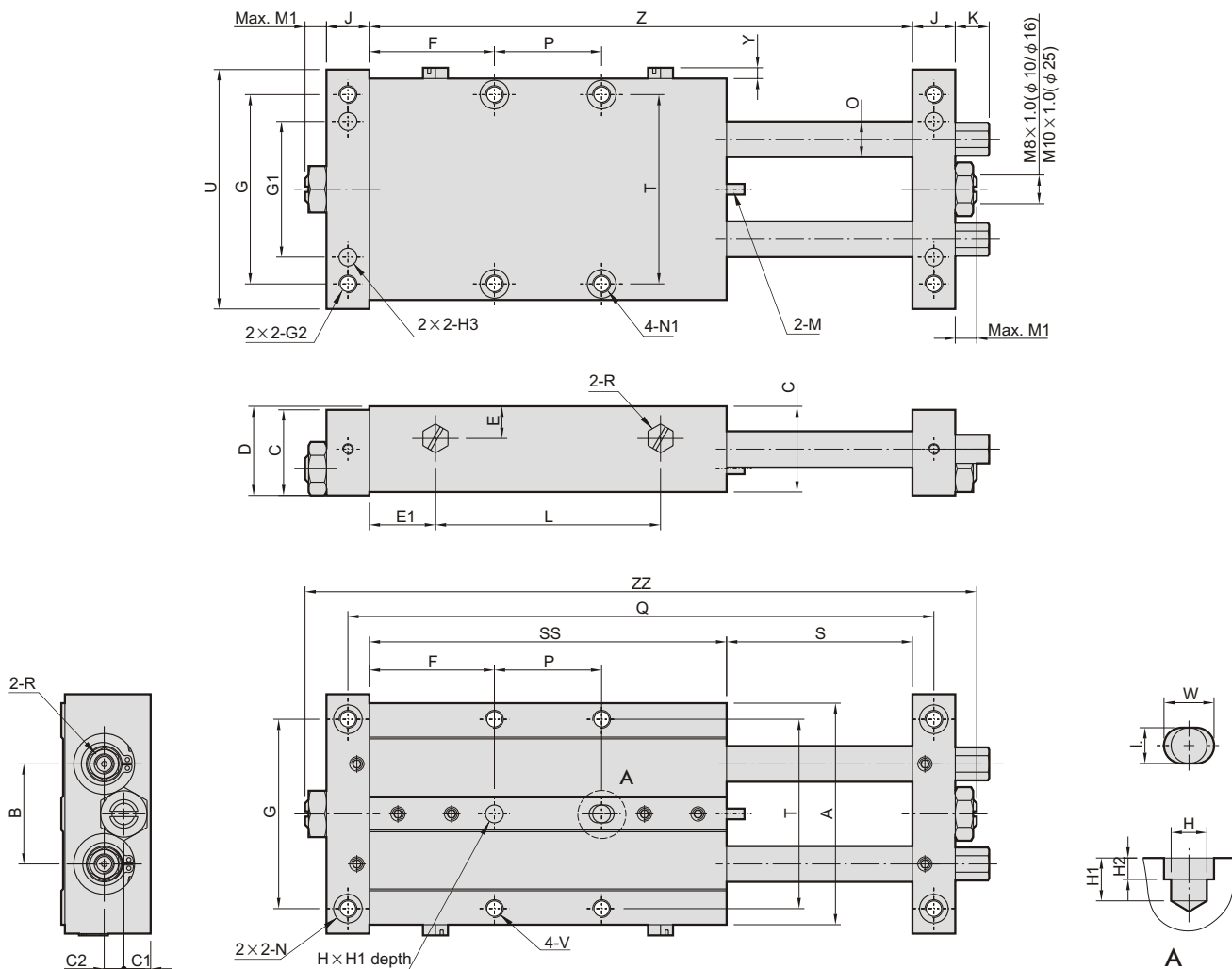
Piston diameter 10, 16 and 25 mm, stroke 25 mm



Ø	Stroke	A	B	C	C1	C2	D	E	E1	F	G	G1	G2	H(H7)	H1	H2	H3(H7)	I	J	K	L	M	M1
10	25	48	22	18	6,5	2,5	19	6,5	14,5	21	40	28	M4 dp. 8	Ø4	6	3	Ø4 dp. 5	Ø4	10	9,5	38	M8x1	32,6
16	25	62	28	24	7,5	5,5	25	9	18,5	25	53	38	M5 dp. 10	Ø5	6	3	Ø5 dp. 6	Ø5	12	9,5	38	M8x1	30,6
25	25	79	35	32	9	9	34	16	19,5	28,5	67	50	M6 dp. 12	Ø6	8	4	Ø6 dp. 8	Ø6	16	—	43	M10x1	33

Ø	Stroke	N	N1	O	P	Q	R	S	SS	T	U	V	W	Y	Z	ZZ
10	25	Ø3,3 thru, Ø6,5 dp. 3,2	Ø3,2 thru, Ø6,5 dp. 3,3	Ø6	25	104	M5	27	67	37	52	M4 dp. 6	6	3	94	179,2
16	25	Ø4,3 thru, Ø8 dp. 4,5	Ø4,3 thru, Ø8 dp. 4,5	Ø10	25	114	M5	27	75	53	67	M5 dp. 10	7	3	102	187,2
25	25	Ø5,2 thru, Ø9,5 dp. 5	Ø5,5 thru, Ø9,5 dp. 5,5	Ø12	25	125	G1/8"	27	82	67	84	M6 dp. 12	8	—	109	207

Piston diameter 10 mm, stroke 50 and 75 mm, piston diameter 16 and 25 mm, stroke 50 to 200 mm



Ø	Stroke	A	B	C	C1	C2	D	E	E1	G	G1	G2	H(H7)	H1	H2	H3(H7)	I	J	K	M	M1
10	50, 75	48	22	18	6,5	2,5	19	6,5	14,5	40	28	M4 dp. 8	Ø4	6	3	Ø4 dp. 5	Ø4	10	9,5	M8x1	8
16	50 to 200	62	28	24	7,5	5,5	25	9	18,5	53	38	M5 dp. 10	Ø5	6	3	Ø5 dp. 6	Ø5	12	9,5	M8x1	6
25	50 to 200	79	35	32	9	9	34	16	20,5	67	50	M6 dp. 12	Ø6	8	4	Ø6 dp. 8	Ø6	16	—	M10x1	6

Ø	Stroke	N	N1	O	R	T	U	V	W	Y
10	50, 75	Ø3,3 thru, Ø6,5 dp. 3,2	Ø3,2 thru, Ø6,5 dp. 3,3	Ø6	M5	37	52	M4 dp. 6	6	3
16	50 to 200	Ø4,3 thru, Ø8 dp. 4,5	Ø4,3 thru, Ø8 dp. 4,5	Ø10	M5	53	67	M5 dp. 10	7	3
25	50 to 200	Ø5,2 thru, Ø9,5 dp. 5	Ø5,5 thru, Ø9,5 dp. 5,5	Ø12	G1/8 <sup>cc</sup>	67	84	M6 dp. 12	8	—

Ø	Stroke	F	L	P	Q	S	SS	Z	ZZ
10	50	26	63	40	154	52	92	144	172
	75	26	88	65	204	77	117	194	222

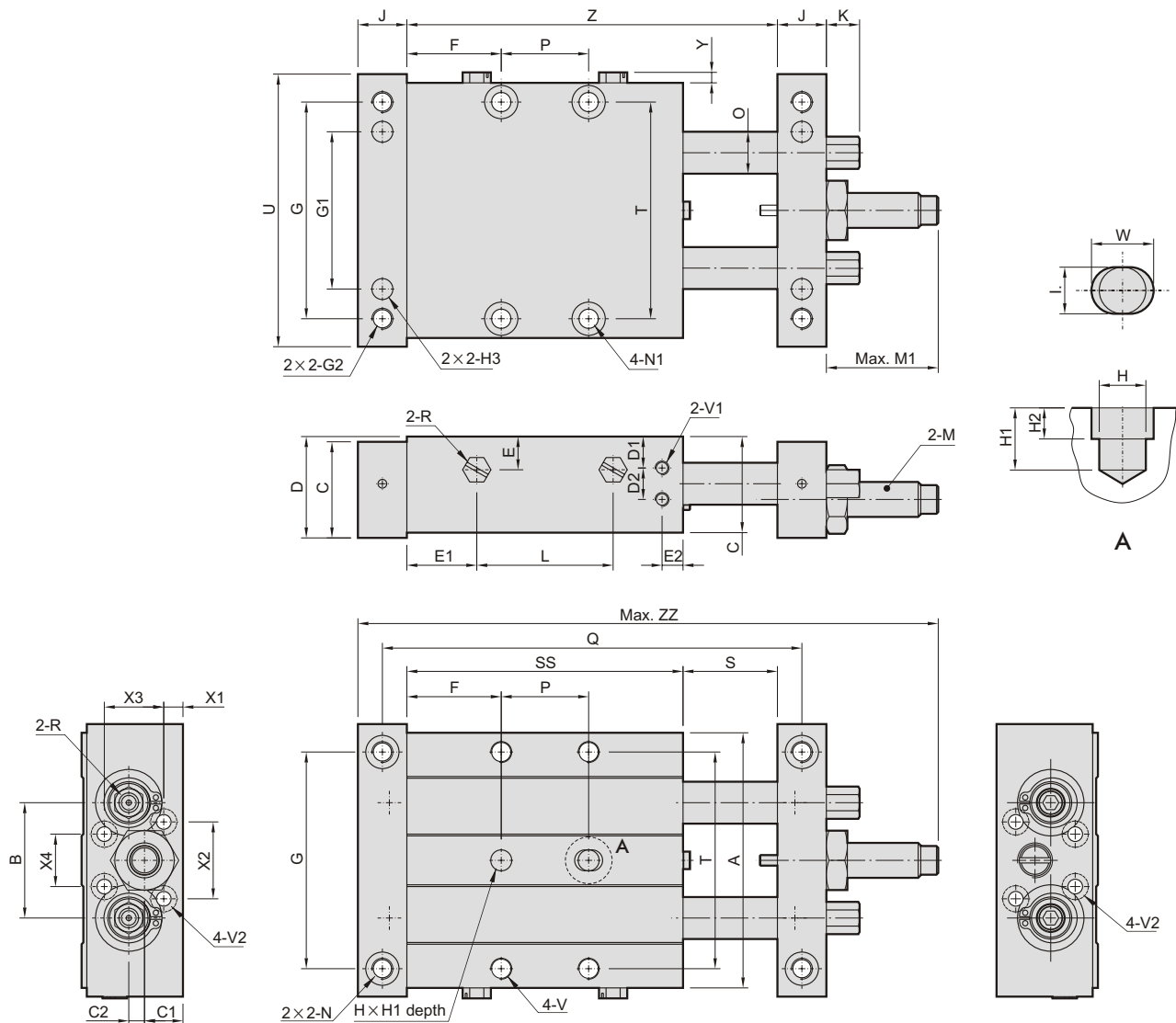
Ø	Stroke	F	L	P	Q	S	SS	Z	ZZ
16	50	35	63	30	164	52	100	152	188
	75	32,5	88	60	214	77	125	202	238
	100	37,5	113	75	264	102	150	252	288
	125	42,5	138	90	314	127	175	302	338
	150	55	163	90	364	152	200	352	388
	175	67,5	188	90	414	177	225	402	438
	200	80	213	90	464	202	250	452	488

Ø	Stroke	F	L	P	Q	S	SS	Z	ZZ
25	50	31	66	45	175	52	107	159	203
	75	33,5	91	65	225	77	132	209	253
	100	33,5	116	90	275	102	157	259	303
	125	46	141	90	325	127	182	309	353
	150	58,5	166	90	375	152	207	359	403
	175	71	191	90	425	177	232	409	453
	200	83,5	216	90	475	202	257	459	503

# DOUBLE ACTING PNEUMATIC CYLINDERS SERIES MCDB DOUBLE PISTON ROD, SLIDE



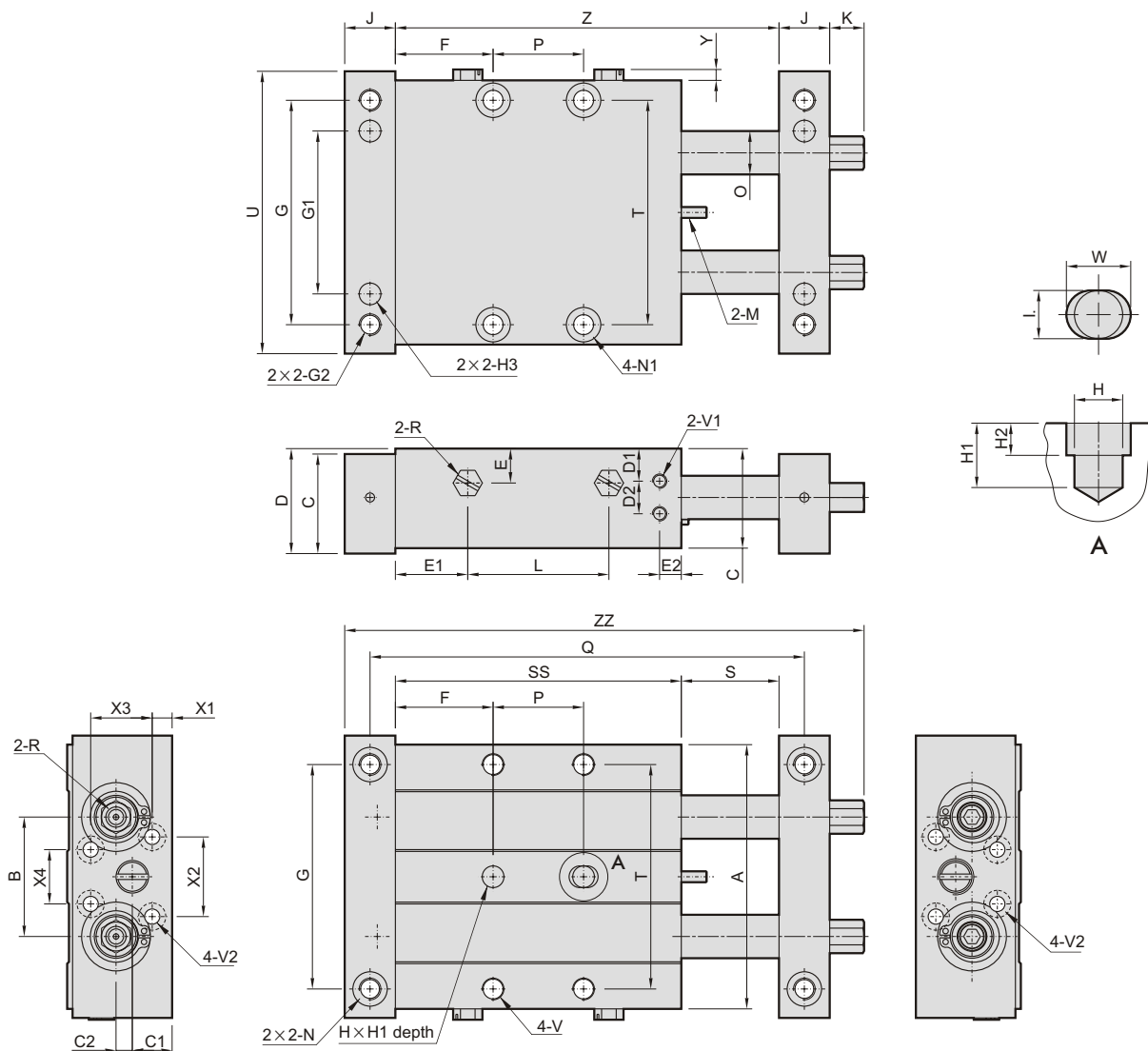
Piston diameter 20 mm, stroke 25 mm, piston diameter 32 mm, stroke 25 and 50 mm



∅	Stroke	A	B	C	C1	C2	D	D1	D2	E	E1	E2	F	G	G1	G2	H(H7)	H1	H2	H3(H7)	I	J	K	L
20	25	73	33	27,5	11	4,5	29	9	9	9,5	20	6	27	62	45	M6 dp. 12	∅6	8	4	∅6 dp. 8	∅6	14	9,5	39
32	25	113	55	38,5	13,5	7	40	10,5	12	15	27,5	10	37	105	84	M8 dp. 15	∅8	12	6	∅8 dp. 12	∅8	20	14,5	41
	28										38													65

∅	Stroke	M	M1	N	N1	O	P	Q	R	S	SS	T	U	V	V1
20	25	M10x1	32	∅5,2 thru, ∅9,5 dp. 5	∅5,5 thru, ∅9,5 dp. 5	∅12	25	120	M5	27	79	62	78	M6 dp. 9	M4 dp. 5
32	25	M14x1,5	50	∅6,9 thru, ∅11 dp. 6,5	∅6,9 thru, ∅11 dp. 7	∅20	22	143	G1/8"	27	96	100	118	M8 dp. 15	M6 dp. 7
	45						193	52		121					

∅	Stroke	V2	W	X1	X2	X3	X4	Y	Z	ZZ
20	25	M5 thru, back side ∅7,5 dp. 4,5	8	5,5	22	17	15	3	106	166
32	25	M5 thru, back side ∅7,5 dp. 4,5	10	7,5	31	24,5	31	—	123	213
	50								173	263

**Piston diameter 20 mm, stroke 50 to 200 mm, piston diameter 32 mm, stroke 75 to 200 mm**


Ø	Stroke	A	B	C	C1	C2	D	D1	D2	E	E1	E2	G	G1	G2	H(H7)	H1	H2	H3(H7)	I	J	K	M
20	50 to 200	73	33	27,5	11	4,5	29	9	9	9,5	20	6	62	45	M6 dp. 12	Ø6	8	4	Ø6 dp. 8	Ø6	14	9,5	M10x1
32	75 to 200	113	55	38,5	13,5	7	40	10,5	12	15	28	10	105	84	M8 dp. 15	Ø8	12	6	Ø8 dp. 12	Ø8	20	14,5	M14x1,5

Ø	Stroke	N	N1	O	R	R1	T	U	V	V1
20	50 to 200	Ø5,2 thru, Ø9,5 dp. 5	Ø5,5 thru, Ø9,5 dp. 5,5	Ø12	M5	M4 dp. 5	62	78	M6 dp. 9	M4 dp. 5
32	75 to 200	Ø6,9 thru, Ø11 dp. 6,5	Ø6,9 thru, Ø11 dp. 7	Ø20	G1/8"	M6 dp. 7	100	118	M8 dp. 15	M6 dp. 7

Ø	Stroke	V2	W	X1	X2	X3	X4	Y
20	50 to 200	M5 thru, back side Ø7,5 dp. 4,5	8	5,5	22	17	15	3
32	75 to 200	M5 thru, back side Ø7,5 dp. 4,5	10	7,5	31	24,5	31	—

Ø	Stroke	F	L	P	Q	S	SS	Z	ZZ
20	50	34,5	64	35	170	52	104	156	193,5
	75	34,5	89	60	220	77	129	206	243,5
	100	39,5	114	75	270	102	154	256	293,5
	125	44,5	139	90	320	127	179	306	343,5
	150	57	164	90	370	152	204	356	393,5
	175	69,5	189	90	420	177	229	406	443,5
	200	82	214	90	470	202	254	456	493,5

Ø	Stroke	F	L	P	Q	S	SS	Z	ZZ
32	75	38	90	70	243	77	146	223	277,5
	100	38	115	95	293	102	171	273	327,5
	125	38	140	120	343	127	196	323	377,5
	150	38	165	145	393	152	221	373	427,5
	175	38	190	170	443	177	246	423	477,5
	200	38	215	195	493	202	271	473	527,5

# PNEUMATIC SLIDE CYLINDER SERIES MCSS



Pneumatic slide cylinder consist of double pneumatic cylinder and integrated work table, which due to the sturdiness and precise of guidance ensures precise positioning. Cylinders are equipped with magnet for proximity switches.

For more information like technical data, allowable load and dimensions, please visit our web page on [www.stranskyapetrzik.cz](http://www.stranskyapetrzik.cz).

Working pressure	0,6 MPa
Min. pressure	0,15 MPa
Max. pressure	0,7 MPa
Temp. range	-5°C to +60°C
Working medium	modified compressed air

Piston diameter [mm]	6	8	12	16	20	25
Thrust at 0,6 MPa [N]	34	61	136	241	377	589
Return force at 0,6 MPa [N]	25	45	102	181	283	454
Connection	M3	M5	M5	M5	G1/8"	G1/8"
Max. stroke [mm]	50	75	100	125	150	150
Cushioning at en positions	rubber pads, optionally hydraulic shock absorber for one or both side					

## Order codes

P MCSS 20 L 50 B

Type		Piston diameter		Design		Stroke / Repair kit		Equipment	
MCSS	double acting, double piston	06	6 mm		standard	xxxx	mm of stroke e.g.: 50 = stroke 50 mm		w/o spec. equipment
		08	8 mm	L	symmetric	-RK	repair kit	AS	with stroke adjustment at extension
		12	12 mm					AT	with stroke adjustment at retract
		16	16 mm					A	with stroke adjustment at both ends
		20	20 mm					BS	with shock absorber at extension
		25	25 mm					BT	with shock absorber at retract
								B	with shock absorber at both ends

Piston dia. [mm]	Standard stroke [mm]								
	10	20	30	40	50	75	100	125	150
6	•	•	•	•	•				
8	•	•	•	•	•	•			
12	•	•	•	•	•	•	•		
16	•	•	•	•	•	•	•	•	
20 and 25	•	•	•	•	•	•	•	•	•

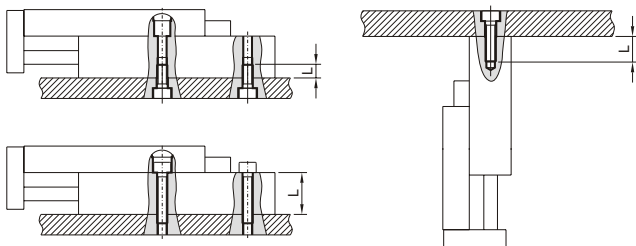
  

**1** For more information like technical data, allowable load and dimensions, please visit our web page on [www.stranskyapetrzik.cz](http://www.stranskyapetrzik.cz)

**1** In case of proximity sensing request, please use switches series RCE/RPE/RNE - see page 3-10 for detail

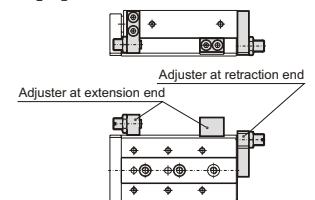
\*) Shock absorber isn't available for piston diameter 6 mm

## Examples of mounting the cylinder

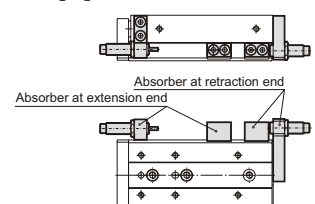


Note: the range of stroke adjustment is 5 mm as standard, ranges 15 and 25 mm are optional.

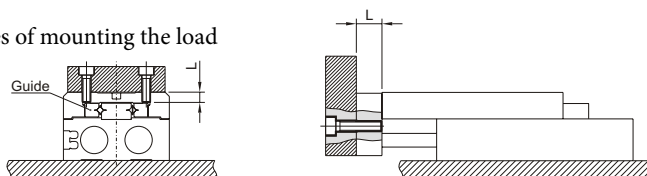
## Equipment A, AS and AT:



## Equipment B, BS and BT:



## Examples of mounting the load



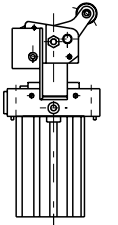
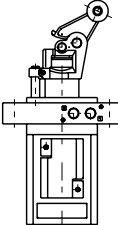
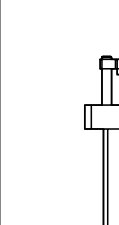
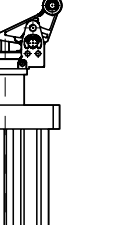
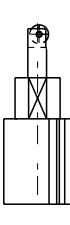
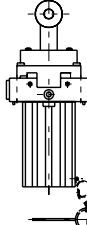
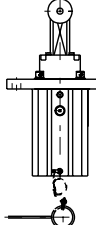
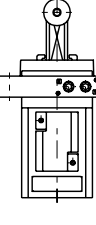


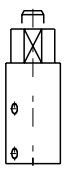
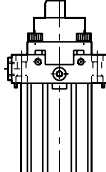
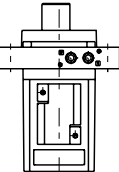


Stopper cylinders are used for safety stop or separation of objects which moves on belt, roller, chain or other conveyor. Regarding the series (see description below), the cylinders can be equipped for example with hydraulic shock absorber for soft stop of moving object, or with spring for automatic separation of two objects.

For more information like technical data, order codes, allowable load and dimensions, please visit our web page on [www.stranskyapetrzik.cz](http://www.stranskyapetrzik.cz)

Working pressure	0,6 MPa
Min. pressure	0,2 MPa
Max. pressure	1,0 MPa
Temp. range	-5°C to +60°C
Working medium	modified compressed air

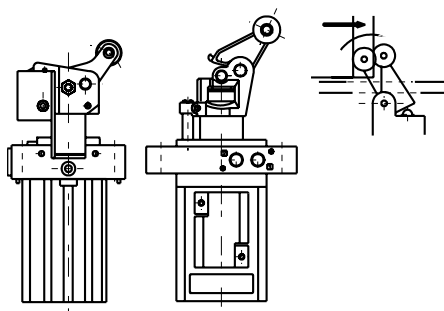
Series	MSBD				MSBR			
Type	double acting with spring and shock absorber				single acting (spring extended) with roller			
Piston diameter / stroke [mm]	∅ 32 / 20	∅ 50 / 30	∅ 63 / 30	∅ 80 / 40	∅ 20 / 20	∅ 32 / 20	∅ 40 / 30	∅ 50 / 30
Magnet for position sensing	yes	yes	yes	yes	yes	yes	no	no
Picture								

Series	MSBS		
Type	double acting for direct stop		
Piston diameter / stroke [mm]	∅ 20 / 10	∅ 32 / 20	∅ 50 / 30
Magnet for position sensing	yes	yes	yes
Picture			

**i** For more information like technical data, order codes, allowable load and dimensions, please visit our web page on [www.stranskyapetrzik.cz](http://www.stranskyapetrzik.cz)

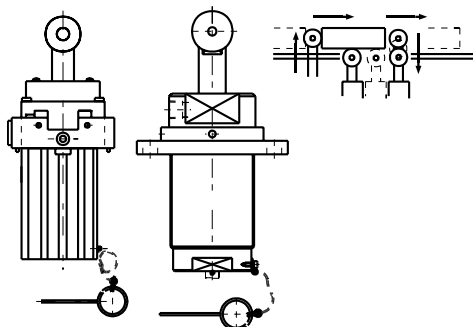
**i** In case of proximity sensing request, please contact our technical dept. for details

### With shock absorber



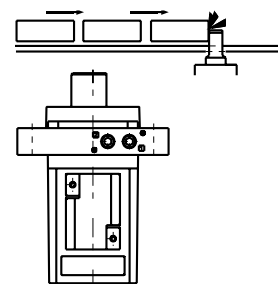
The built-in shock absorber softly catches and stops the work carrier. The strength of absorber can be easily adjusted, which makes the cylinder work in the best condition, conforming to the speed of the conveyor line and the weight of the work carrier.

### With roller



The top rollers with the built-in spring return in touch with the bottom of the work carrier. Automatically returns up to the original position as the work carrier pass by, and immediately works as a stopper for the next work carrier. Therefore the timing carriers does not need to be taken.

### For direct stop



Rod and cylinder are designed for toughness against the large side load. Also suitable for the relatively slow-moving conveyor line with the heavy work carriers.

# SINGLE ACTING PNEUMATIC CYLINDERS

## VDMA 24562, NF E 49003.1



Cylinders are designed to meet the specifications of international standards ISO 6431, VDMA 24562 and NF E 49003.1, that is why it can replace pneumatic cylinder, which is made by any producer to these standards. The cylinders can work in higher temperatures by request. There is no cushioning at the end of stroke.

Working pressure	0,6 MPa
Min. pressure	0,15 MPa
Max. pressure	1,0 MPa
Temp. range	-20°C to +80°C
Working medium	modified compressed air

Piston diameter [mm]	32	40	50	63	80	100
Thrust at 0,6 MPa [N]*	482	754	1178	1870	3015	4713
Return force at 0,6 MPa [N]*	415	633	990	1682	2720	4418
Spring restoring force [N]	42	42	66	66	70	74
Connection	G1/8"	G1/4"	G1/4"	G3/8"	G3/8"	G1/2"
Max. stroke [mm]	50	50	70	70	70	70
Weight 0 mm stroke [kg]	0,54	0,80	1,10	1,70	2,70	4,20
Weight add. per 1 mm stroke [kg]	0,0028	0,0037	0,0060	0,0062	0,0100	0,0110

\*) Cylinder will make out either thrust or return force, accordingly to the type (spring return / extend).

### Order codes

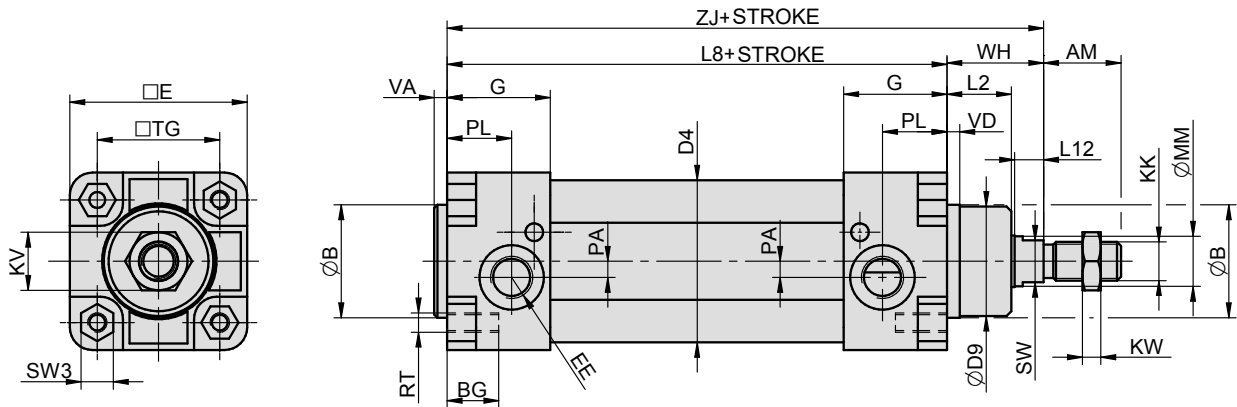
**10105 10 00 050 0010**

Type	Equipment	Options	Piston diameter	Stroke / Repair kit
10105 to DIN ISO 6431, VDMA 24562, NF E 49003.1, single acting, spring return	00 w/o magnet 10 with magnet	00 without options 01 1.4021 stainless steel piston rod 05 all parts stainless steel, piston rod 1.4401 10 Viton® piston rod sealing 13 tie rod version 14 1.4301 stainless steel piston rod 16 steel parts from stainless 1.4301 piston rod stainless 1.4401 37 composite round tube+opt. 10 and 16	032 32 mm 040 40 mm 050 50 mm 063 63 mm 080 80 mm 100 100 mm	xxxx mm of stroke e.g.: 0010 = stroke 10 mm 9999 repair kit
10106 to DIN ISO 6431, VDMA 24562, NF E 49003.1, single acting, spring extend				

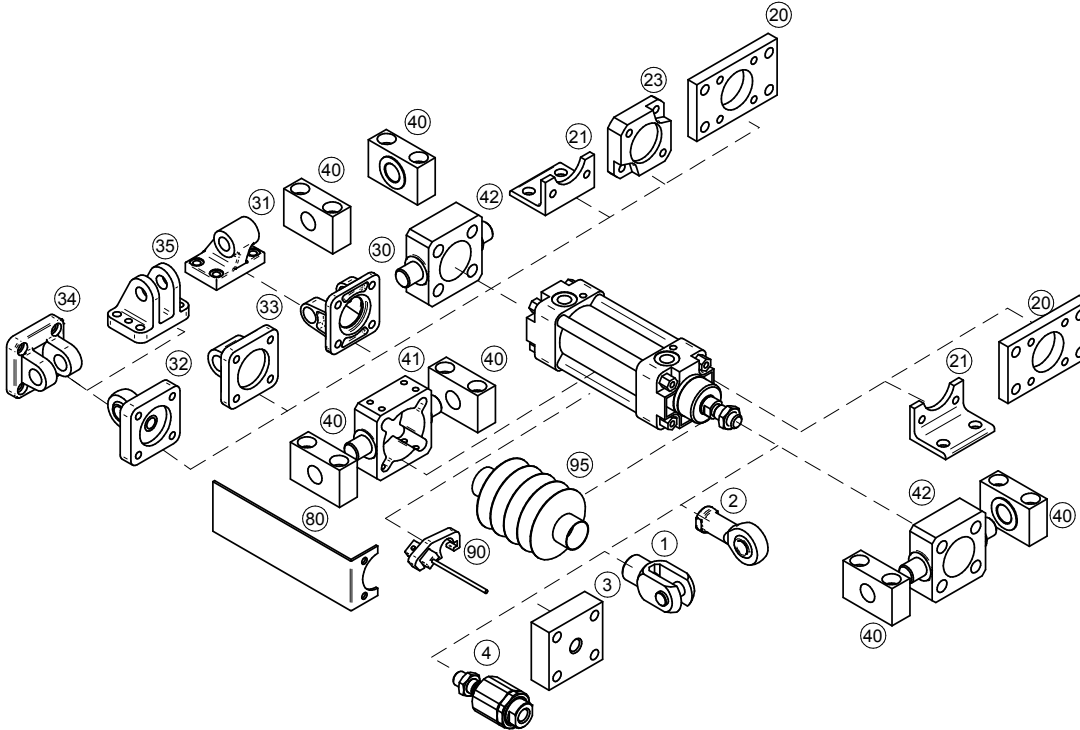
For more options regarding materials or dimensions, please contact our technical dept.

### Construction / materials

- caps: drawn dural profile, hard anodised, piston dia. 100: aluminium casting, hard anodised
- body: drawn dural profile, hard anodized
- piston rod: ground round steel bar CK45 with hard chrome plated surface

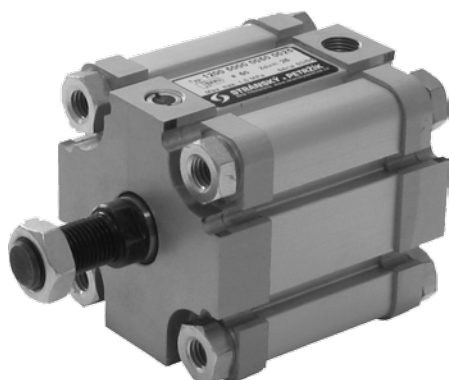
**Dimensions**


Ø	AM	B	BG	D4	D9	E	EE	G	KK	KV	KW	L2	L8	L12	MM	PA	PL	RT	SW	SW3	TG	VA	VD	WH	ZJ
32	22	30	16	36	28	48	G1/8"	31,5	M10x1,25	17	6	18	94	8	12	5	22,5	M6	10	10	32,5	4	4	26	120
40	24	35	16	45	34	55	G1/4"	32	M12x1,25	19	10	20	105	9	16	5	20	M6	13	10	38	4	4	30	135
50	32	40	19	55	39	65	G1/4"	30	M16x1,5	24	8	22	106	10	20	3	17	M8	16	14	46,5	4	5	37	143
63	32	45	19	68	44	75	G3/8"	30	M16x1,5	24	8	23	121	10	20	6	16	M8	16	14	56,5	4	5	37	158
80	40	45	19	86	44	94	G3/8"	30	M20x1,5	30	9	31	128	10	25	10	16	M10	21	17	72	4	5	46	174
100	40	55	19	106	54	115	G1/2"	36	M20x1,5	30	9	34	138	10	25	11	18	M10	21	17	89	4	17	51	189

**Mounting accessories**


Mounting accessories	... see page
1 Piston rod clevis	... 4-2
2 Piston rod eye	... 4-3
3 Flanged piston rod coupling	... 4-2
4 Self-aligning piston rod coupling	... 4-3
20 Flange mounting	... 4-6
21 Foot mounting	... 4-4
23 Boxer flange mounting	... 4-22
30 Swivel flange	... 4-8
31 Clevis foot mounting	... 4-8
32 Swivel flange with spherical bearing	... 4-10
33 Swivel flange	... 4-7
34 Narrow swivel flange	... 4-9
35 Rectangular swivel flange	... 4-9
40 Trunnion mounting	... 4-12
41 Pivot pin	... 4-11
42 Pivot pin to front/end cap	... 4-12
80 Valve bracket	... 4-22
90 Prox. switch	... 3-2, 3-4, 3-6, 3-9
95 Piston rod protective cover	... 4-23

# SINGLE ACTING PNEUMATIC CYLINDERS COMPACT



Compact cylinders are smaller than standard cylinders and they are suitable especially, when there isn't enough space for standard cylinder. Dimensions of mounting holes meets international standards ISO 6431, VDMA 24562 and NF E 49003.1, that is why standard mounting accessories can be used. Cylinders aren't equipped with cushioning.

Working pressure	0,6 MPa
Min. pressure	0,15 MPa
Max. pressure	1,0 MPa
Temp. range	-20°C to +80°C
Working medium	modified compressed air

Piston diameter [mm]	32	40	50	63	80	100
Thrust at 0,6 MPa [N]*	482	754	1178	1870	3015	4713
Return force at 0,6 MPa [N]*	415	662	1025	1717	2720	4487
Spring restoring force [N]	17	24	22	42	33	120
Connection	G1/8"	G1/8"	G1/8"	G1/8"	G1/8"	G1/4"
Max. stroke [mm]	25	25	40	50	50	50
Weight 0 mm stroke [kg]	0,25	0,34	0,51	0,75	1,23	1,99
Weight add. per 1 mm stroke [kg]	0,0030	0,0034	0,0047	0,0055	0,0076	0,0095

\*) Cylinder will make out either thrust or return force, accordingly to the type (spring return / extend).

## Order codes

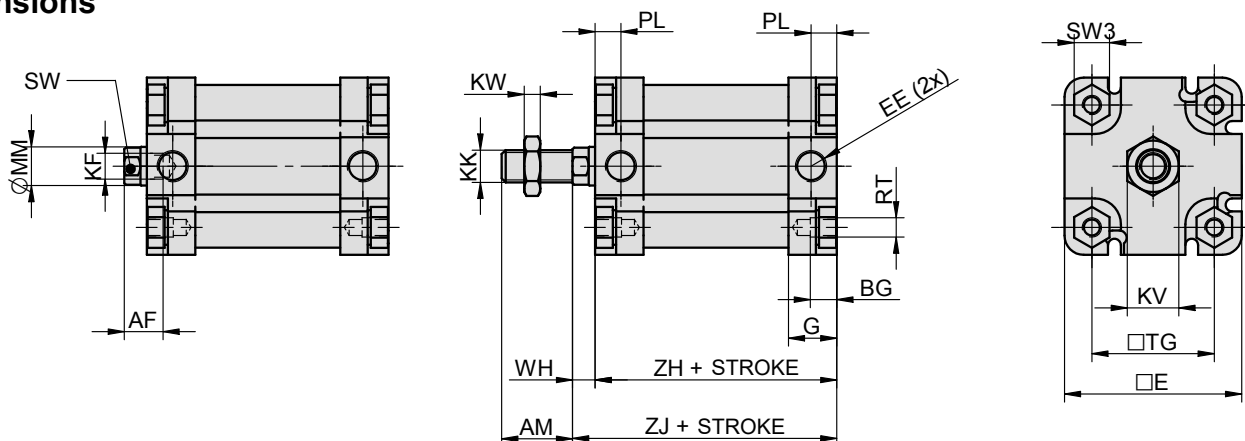
12005 10 00 050 0010

Type		Equipment		Options		Piston diameter		Stroke / Repair kit	
12005	compact single acting, spring return	00	w/o magnet, external thread	00	without options	032	32 mm	xxxx	mm of stroke e.g.: 0010 = stroke 10 mm
12006	compact single acting, spring extend	01	w/o magnet, internal thread	01	1.4021 stainless steel piston rod	040	40 mm		
		10	with magnet, external thread	02	steel parts from stainless 1.4301 piston rod stainless 1.4021	050	50 mm		
		11	with magnet, internal thread	14	1.4301 stainless steel piston rod	063	63 mm		
				16	steel parts from stainless 1.4301 piston rod stainless 1.4401	080	80 mm		
						100	100 mm	9999	repair kit

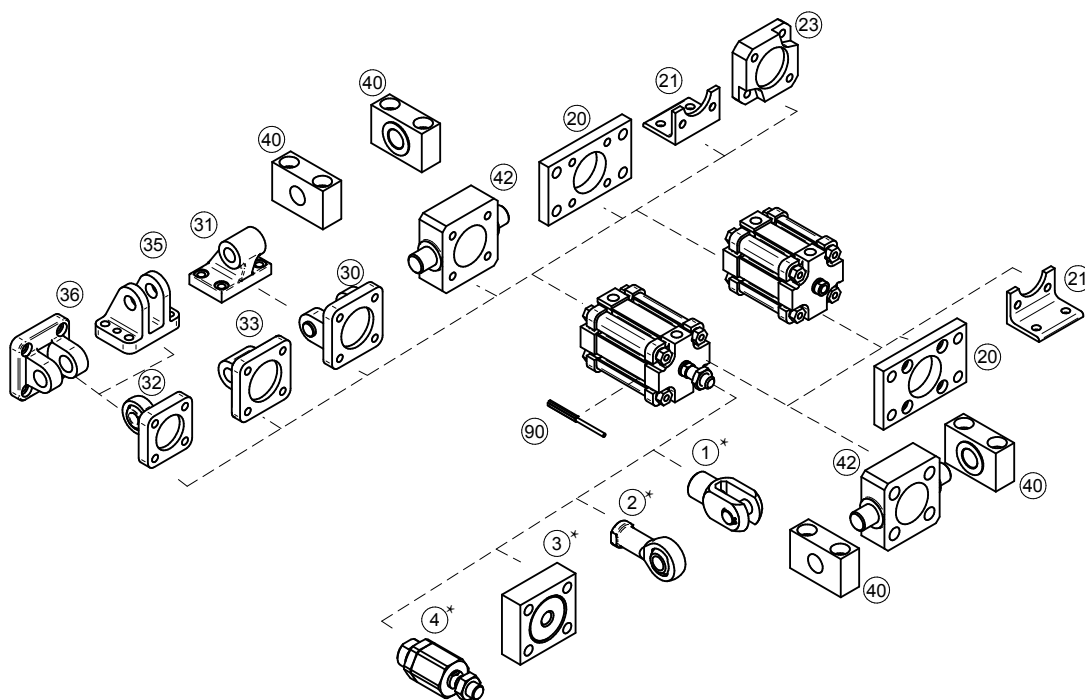
For more options regarding materials or dimensions, please contact our technical dept.

## Construction / materials

- caps: aluminium mold casting
- body: drawn dural profile, hard anodized
- piston rod: grounded round steel bar CK45 with hard chrome plated surface

**Dimensions**


∅	AF	AM	BG	E	EE	G	KF	KK	KV	KW	MM	PL	RT	SW	SW3	TG	WH	ZH	ZJ
32	12	22	9	48	G1/8"	15	M8	M10x1,25	17	6	12	8	M6	10	11	32,5	7	53	60
40	12	22	9	55	G1/8"	15	M8	M10x1,25	17	6	12	8	M6	10	11	38	7	45	52
50	16	24	9	65	G1/8"	15	M10	M12x1,25	19	10	16	8	M8	13	14	46,5	8	45	53
63	16	24	9	75	G1/8"	15	M10	M12x1,25	19	10	16	8	M8	13	14	56,5	8	49	57
80	20	32	11	95	G1/8"	17	M12	M16x1,5	24	8	20	8,5	M10	16	17	72	10	54	64
100	22	40	11	115	G1/4"	20	M12	M20x1,5	30	9	25	10,5	M10	21	17	89	10	62	72

**Mounting accessories**


Mounting accessories	... see page
1 Piston rod clevis*	... 4-2
2 Piston rod eye*	... 4-3
3 Flanged piston rod coupling*	... 4-2
4 Self-aligning piston rod coupling*	... 4-3
20 Flange mounting	... 4-6
21 Foot mounting	... 4-4
23 Boxer flange mounting	... 4-22
30 Swivel flange	... 4-8
31 Clevis foot mounting	... 4-8
32 Swivel flange with spherical bearing	... 4-10
33 Swivel flange	... 4-7
34 Narrow swivel flange	... 4-9
35 Rectangular swivel flange	... 4-9
40 Trunnion mounting	... 4-12
42 Pivot pin to front/end cap	... 4-12
90 Prox. switch	... 3-2, 3-4, 3-6
90 Proportional position sensor with analog output	... 3-8

\*) Please check dimensions of thread on cylinder and accessories for piston rod, before you order it (for example: compact cylinder piston dia. 40 mm has thread M10x1,25 on piston rod, piston rod clevis for cylinder dia. 40 has thread M12x1,25, so it is necessary to order piston rod clevis for cylinder dia. 25/30, where is thread M10x1,25).

# SINGLE ACTING PNEUMATIC CYLINDERS

## DIN ISO 6432

Cylinders are designed to meet the specifications of international standard ISO 6432. Cylinders aren't equipped with cushioning.



Working pressure	0,6 MPa
Min. pressure	0,15 MPa
Max. pressure	1,0 MPa
Temp. range	-20°C to +80°C
Working medium	modified compressed air

Piston diameter [mm]	12	16	20	25
Thrust at 0,6 MPa [N]*	66	121	188	295
Return force at 0,6 MPa [N]*	50	102	158	248
Spring restoring force [N]	11	11	13	13
Connection	M5	M5	G1/8"	G1/8"
Max. stroke [mm]	50	50	50	50
Weight 0 mm stroke [kg]	0,04	0,05	0,15	0,18
Weight add. per 1 mm stroke [kg]	0,0005	0,0005	0,0010	0,0013

\*) Cylinder will make out either thrust or return force, accordingly to the type (spring return / extend).

### Order codes

11005 10 00 020 0010

Type		Equipment		Options		Piston diameter		Stroke / Repair kit	
11005	to DIN ISO 6432, single acting, spring return	00	w/o magnet	00	without options	012	12 mm	xxxx	mm of stroke e.g.: 0010 = stroke 10 mm
11006	to DIN ISO 6432, single acting, spring extend	10	with magnet	01	1.4021 stainless steel piston rod	016	16 mm	9999	repair kit
				14	1.4301 stainless steel piston rod	020	20 mm		
				16	steel parts from stainless 1.4301 piston rod stainless 1.4401	025	25 mm		

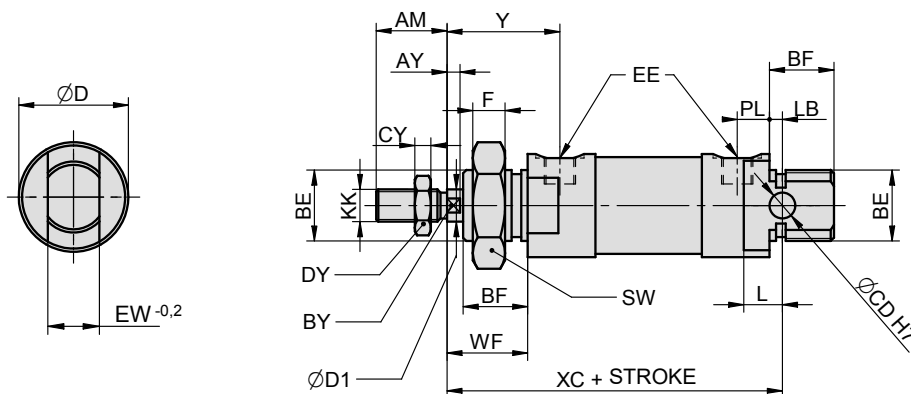
For more options regarding materials or dimensions, please contact our technical dept.

### Construction / materials

- caps: hard anodized dural
- body: drawn dural tube, hard anodized
- piston rod: grounded round steel bar CK45 with hard chrome plated surface



## Dimensions

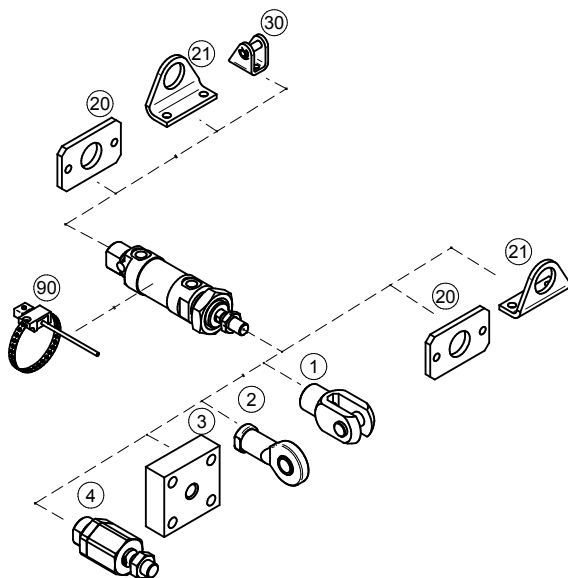


Ø	AM	AY	BE	BF	BY	CD	CY	D	D1	DY	EE	EW	F	KK	L	LB	PL	SW	WF	XC	Y
12	16	3	M16x1,5	15	5	6	3	22	6	10	M5	12	8	M6	10	4	5	24	20	75	25
12*	16	3	M16x1,5	15	5	6	3	22	6	10	M5	12	8	M6	10	4	5	24	20	80	25
12M	16	3	M16x1,5	15	5	6	3	22	6	10	M5	12	8	M6	10	4	5	24	20	80	25
12M*	16	3	M16x1,5	15	5	6	3	22	6	10	M5	12	8	M6	10	4	5	24	20	85	25
16	16	3	M16x1,5	15	5	6	3	25	6	10	M5	12	8	M6	11	5	5	24	20	82	25
16M	16	3	M16x1,5	15	5	6	3	25	6	10	M5	12	8	M6	11	5	5	24	20	87	25
20	20	4	M22x1,5	20	7	8	6	27,5	8	13	G1/8"	16	10	M8	12	3	9,5	34	24,5	95	34
25	22	4	M22x1,5	20	9	8	6	32	10	17	G1/8"	16	10	M10x1,25	12	4	10	34	25,5	104	35

Notice: M after piston diameter size means cylinder with magnetic piston.

Notice \*) Values are valid for type 11006 with spring extended piston rod

## Mounting accessories



Mounting accessories	... see page
1 Piston rod clevis	... 4-2
2 Piston rod eye	... 4-3
3 Flanged piston rod coupling	... 4-2
4 Self-aligning piston rod coupling	... 4-3
20 Flange mounting	... 4-7
21 Foot mounting	... 4-5
30 Swivel flange	... 4-5
90 Prox. switch	... 3-2, 3-4, 3-6

# SINGLE ACTING PNEUMATIC CYLINDERS SHORT STROKE



Pneumatic cylinder may be used, when small mounting dimensions are required. There is no cushioning at end of stroke.

Working pressure	0,6 MPa
Min. pressure	0,15 MPa
Max. pressure	1,0 MPa
Temp. range	-20°C to +80°C
Working medium	modified compressed air

Piston diameter [mm]	20	25	32	40	50	63	80	100	160
Thrust at 0,6 MPa [N]*	188	295	482	754	1178	1870	3015	4713	12064
Return force at 0,6 MPa [N]*	158	248	415	662	1025	1717	2720	4484	11309
Spring restoring force [N]	15	16	24	27	46	46	124	124	402
Connection	M5	G1/8"	G1/8"	G1/8"	G1/8"	G1/8"	G1/4"	G1/4"	G3/8"
Max. stroke [mm]	25	25	25	25	25	25	25	25	50
Weight 0 mm stroke [kg]	0,05	0,08	0,16	0,29	0,43	0,60	1,10	1,80	8,20
Weight add. per 1 mm stroke [kg]	0,0014	0,0015	0,0040	0,0060	0,0080	0,0100	0,0160	0,0200	0,0600

\*) Cylinder will make out either thrust or return force, accordingly to the type (spring return / extend).

## Order codes

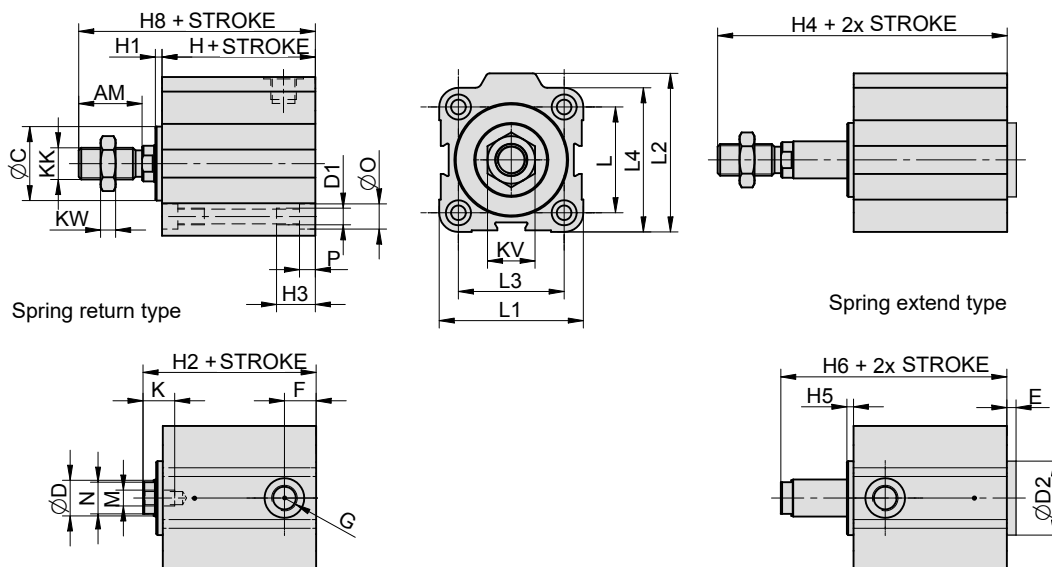
12505 10 00 050 0010

Type		Equipment		Options		Piston diameter		Stroke / Repair kit	
12505	short stroke, single acting, spring return	00	w/o magnet, external thread	00	without options	020	20 mm	xxxx	mm of stroke e.g.: 0010 = stroke 10 mm
12506	short stroke, single acting, spring extend	01	w/o magnet, internal thread	01	1.4021 stainless steel piston rod	025	25 mm	9999	repair kit
		10	with magnet, external thread	10	Viton® piston rod sealing	032	32 mm		
		11	with magnet, internal thread	14	1.4301 stainless steel piston rod	040	40 mm		
						050	50 mm		
						063	63 mm		
						080	80 mm		
						100	100 mm		
						160	160 mm		

For more options regarding materials or dimensions, please contact our technical dept.

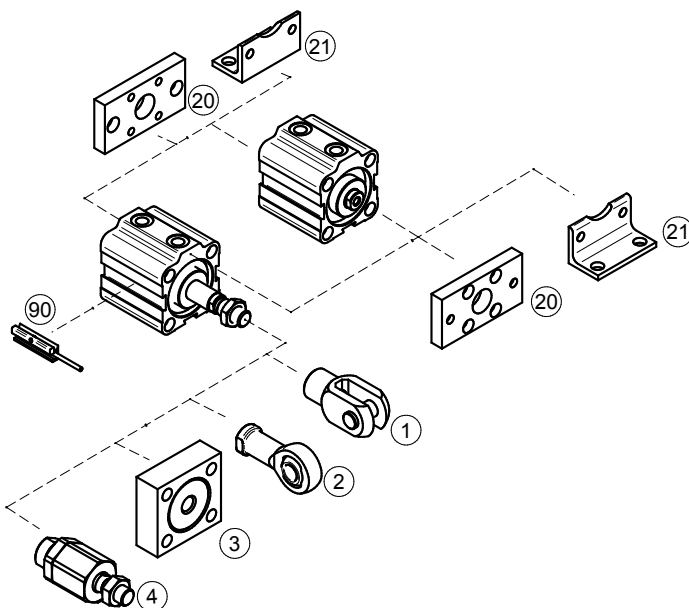
## Construction / materials

- caps: anodized dural
- body: drawn anodized dural profile, piston diameter 160: aluminium casting
- piston rod: grounded round steel bar CK45 with hard chrome plated surface

**Dimensions**


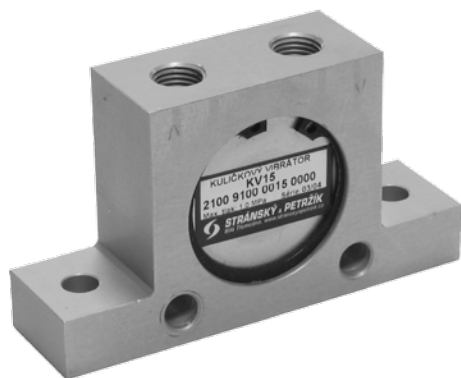
∅	AM	C	D	D1	D2	E	F	G	H	H1	H2	H3	H4	H5	H6	H8	K	KK	KV	KW	L	L1	L2	L3	L4	M	N	O	P
20	20	12	8	M5	12	16	9	M5	23,5	16	44,5	15	51	2,5	31	64,5	8	M8	13	6	22	32	35	22	32	M5	7	7	5
20M	20	12	8	M5	12	16	9	M5	41,5	16	62,5	15	69	2,5	49	82,5	8	M8	13	6	22	32	35	22	32	M5	7	7	5
25	22	17	10	M5	17	12	10	G1/8"	26,5	11	42,5	15	56	2,5	34	64,5	8	M10x1,25	17	6	28	38	45	26	39	M5	8	8	5
25M	22	17	10	M5	17	12	10	G1/8"	34,5	11	50,5	15	64	2,5	42	72,5	8	M10x1,25	17	6	28	38	45	26	39	M5	8	8	5
32	22	21	12	M6	21	12,5	11	G1/8"	35	12,5	52,5	18	64,5	2,5	42,5	74,5	12	M10x1,25	17	6	36	45	54	32	48	M6	10	9,5	6
32M	22	21	12	M6	21	12,5	11	G1/8"	45,5	15,5	63	18	75	2,5	53	85	12	M10x1,25	17	6	36	45	54	32	48	M6	10	9,5	6
40	24	28	14	M6	28	11	12	G1/8"	44	10,5	59,5	18	75,5	2,5	51,5	83,5	12	M12x1,25	19	10	40	55	60	40	55	M6	12	9,5	6
50	32	36	18	M8	36	12	13	G1/8"	46	12	64	24	86,5	2,5	54,5	96	14	M16x1,5	24	8	50	65	73	50	65	M8	16	11	8
63	32	48	18	M10	48	7	14,5	G1/8"	46	7	59	24,5	87,5	3,5	55,5	91	14	M16x1,5	24	8	62	80	88	62	80	M8	16	14	8,5
63M	32	48	18	M10	48	7	14,5	G1/8"	50	7	63	24,5	91,5	3,5	59,5	95	14	M16x1,5	24	8	62	80	88	62	80	M8	16	14	8,5
80	43	54	22	M10	54	8,5	16,5	G1/4"	50	8,5	64,5	24,5	102,5	3,5	59,5	107,5	17	M20x1,5	30	9	82	100	110	82	100	M10	19	14	8,5
80M	43	54	22	M10	54	8,5	16,5	G1/4"	57	8,5	71,5	24,5	109,5	3,5	66,5	114,5	17	M20x1,5	30	9	82	100	110	82	100	M10	19	14	8,5
100	43	60	22	M12	60	7	20	G1/4"	57	7	70	29	112	6	69	113	20	M20x1,5	30	9	103	124	134	103	124	M12	19	17	11
100M	43	60	22	M12	60	7	20	G1/4"	61	7	74	29	116	6	73	117	20	M20x1,5	30	9	103	124	134	103	124	M12	19	17	11
160	72	110	40	M20	-	-	22,5	G3/8"	96	-	113	45	-	-	-	185	25	M36x2	50	18	154	200	210	154	200	M16	36	26	21

Notice: M after piston diameter size means cylinder with magnetic piston.

**Mounting accessories**


Mounting accessories	... see page
1 Piston rod clevis	... 4-2
2 Piston rod eye	... 4-3
3 Flanged piston rod coupling	... 4-2
4 Self-aligning piston rod coupling	... 4-3
20 Flange mounting	... 4-6
21 Foot mounting	... 4-5
90 Prox. switch	... 3-2, 3-4, 3-6

# PNEUMATIC SHAKE DEVICES BALL VIBRATOR

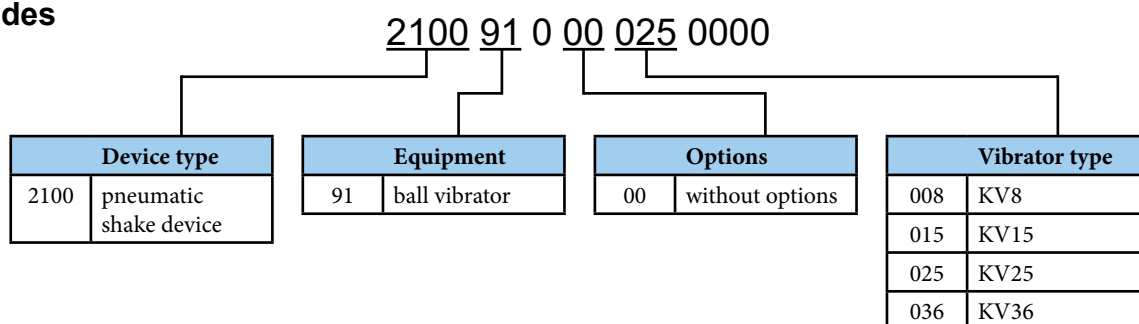


Ball vibrator could be used for bulk material release if the bulk material was adhered on walls of tubes or filling hopper. It can be used for such as materials which doesn't solidify by intensive shedding; in this case pneumatic knocker should be used.

Working pressure	0,6 MPa
Min. pressure	0,2 MPa
Max. pressure	1,0 MPa
Temp. range	-20°C to +80°C
Working medium	modified compressed air

Type	KV8	KV15	KV25	KV36
Ball diameter [mm]	8	15	25	36
Connection	G1/4"	G1/4"	G1/4"	G3/8"
Weight [kg]	0,4	0,5	0,7	1,6
Recommended hose orifice of air supply [mm]	8	10	10	12
Minimal tightening torque of fixing screws [Nm]	10,4	25	25	51

## Order codes



## Installation and operation notes

There is necessary to adhere minimal tightening torque of fixing screws (see values in table above). Fixing screws aren't included in supply. We recommend to fix fixing screws with Loctite 242E or similar adhesive.

There is necessary to check right tightening of fixing screws regularly to prevent their releasing.

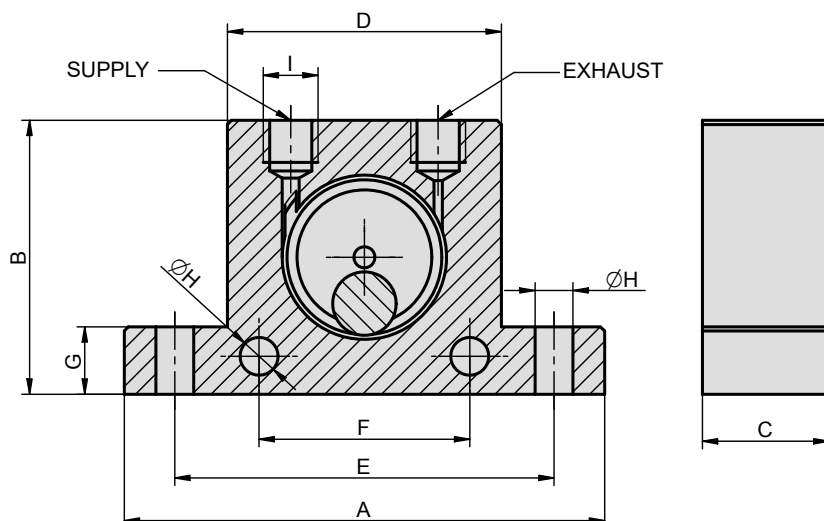
The silencer is required on exhaust to avoid excessive noise. The silencer must be kept clear otherwise danger of vibrator body failure and injury impend.

Compressed air supply must be connected to port marked as V (eventually VSTUP, IN, or 1).

## Construction / materials

- body and caps: hard anodized dural
- ball: precise bearing ball
- ball guide: hardened steel

## Dimensions

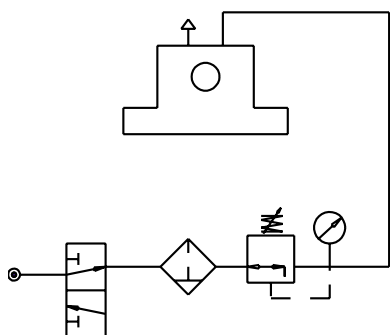


TYPE	A	B	C	D	E	F	G	H	I	Ball diameter
KV8	86	50	25	50	68	40	12	7	G1/4"	8
KV15	114	65	30	65	90	50	15	9	G1/4"	15
KV25	123	80	40	80	104	60	15	9	G1/4"	25
KV36	160	100	56	100	130	80	20	10,5	G3/8"	36

## Technical data

Type	KV8 values at pressure [MPa]			KV15 values at pressure [MPa]			KV25 values at pressure [MPa]			KV36 values at pressure [MPa]		
	0,2	0,4	0,6	0,2	0,4	0,6	0,2	0,4	0,6	0,2	0,4	0,6
Frequence [1/min]	24500	31000	35000	14300	17600	20200	10100	13200	14500	7500	9300	10300
Centrifugal force [N]	180	290	370	540	820	1090	1180	2000	2420	2340	3590	4400
Air consumption [l/min]	83	145	195	122	200	280	160	280	425	260	475	675

## Recommended connection



There is useful to use pressure regulator in circuit to enable vibration intensity regulation. If you need to start vibrator by another way than manually, there is necessary to use appropriate 2/2 or 3/2 valve which should be connected between pressure regulator and vibrator.

# PNEUMATIC SHAKE DEVICES PNEUMATIC KNOCKER

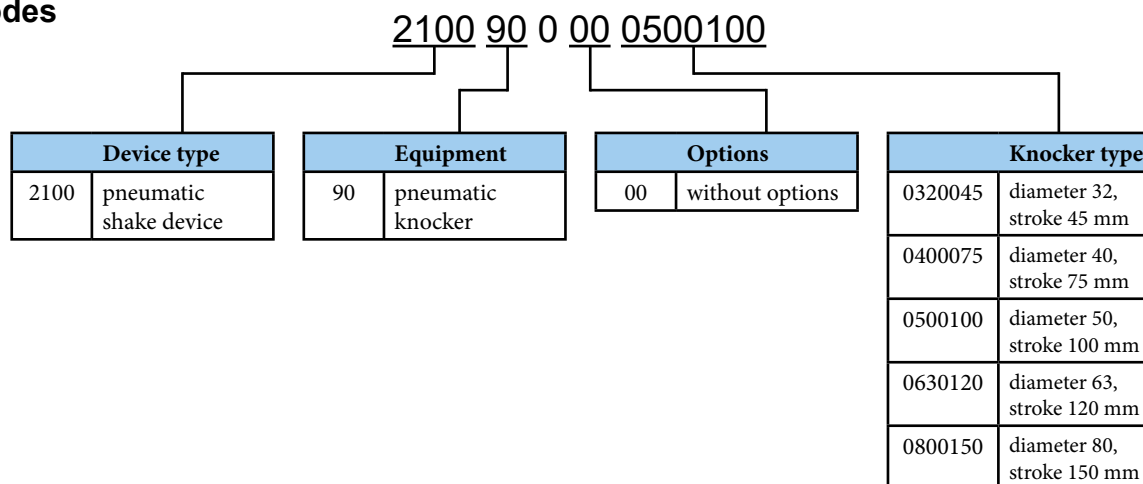


Pneumatic knocker could be used for bulk material release if the bulk material was adhered on walls of tubes or filling hopper. Compared to ball vibrator, knocker can be used for materials which solidify by intensive shedding; in this case individual shakes are well-proven. Knocker should be controlled as well as double acting cylinder. From piston diameter 50 mm incl. knockers are equipped with fully adjustable cushioning at end of return piston movement.

Working pressure	0,6 MPa
Min. pressure	0,2 MPa
Max. pressure	1,0 MPa
Temp. range	-20°C to +80°C
Working medium	modified compressed air

Type	OK32	OK40	OK50	OK63	OK80
Piston diameter [mm]	32	40	50	63	80
Stroke [mm]	45	75	100	120	150
Piston weight [kg]	0,2	0,4	1	2,3	4
Recommended orifice of air supply [mm]	8	8	10	10	10
Recommended flow capacity [NI/min]	900	900	1600	1600	2200
Impulse [Ns]	1,7	3,5	8	15	30
Kinetic energy [Nm]	7	14	32	60	100

## Order codes



## Installation and operation notes

We recommend to fix fixing screws with Loctite 242E or similar adhesive.

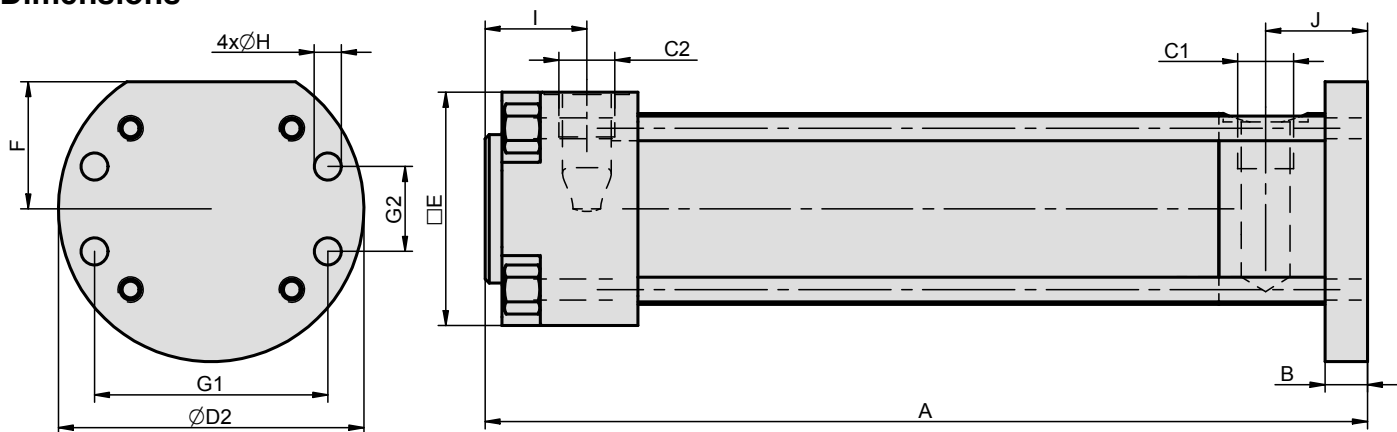
There is necessary to check right tightening of fixing screws regularly to prevent their releasing.

We recommend to use quick exhaust valve on exhaust on impact side not to decrease knocker's effectivity.

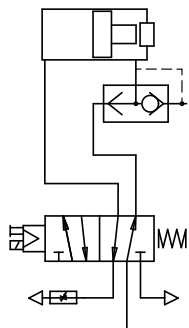
## Construction / materials

- flange: zinc plated steel
- end cap: aluminium casting
- body: drawn dural tube, hard anodized
- piston: steel



**Dimensions**


Ø	A	B	C1	C2	D2	E	F	G1	G2	H	I	J
32	180	8	G1/4"	G1/4"	69	48	28	50	18	6,4	26	22
40	208	10	G1/4"	G1/4"	72	55	30	55	20	6,4	24	24
50	274	12	G3/8"	G3/8"	98	65	40	70	30	8,4	20	34
63	332	15	G3/8"	G3/8"	119	75	45	85	40	10,5	20	38
80	368	20	G3/8"	G3/8"	138	95	55	100	50	13	20	38

**Recommended connection**


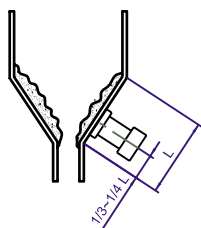
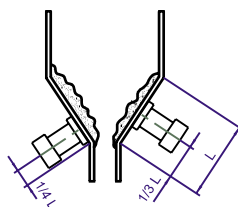
The 5/2 valve is suitable for knocker control. Valve should be placed as close to knocker as possible, but we recommend to fix it so that valve will be isolated to shocks from knocker. We recommend to use quick exhaust valve on exhaust (mounted parallel to knocker's axis to prevent from shocks) so as not to decrease impact intensity. It is suitable to use speed control silencer during piston return movement, to get possible to control of return speed of piston into home position to prevent chocks.



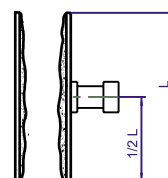
**Attention: knocker is designed to make shocks only by movement of piston towards to front cap with flange! Do not allow to make shocks during piston return movement in any case! It may be the cause of permanent damage of end cap of knocker!**

**Mounting examples**

Single knocker on filling hopper


 Two knockers on filling hopper  
(edge distances should be different)


Single knocker on tube



# PNEUMATIC SHAKE DEVICES KNOCKER WITH AIR TANK

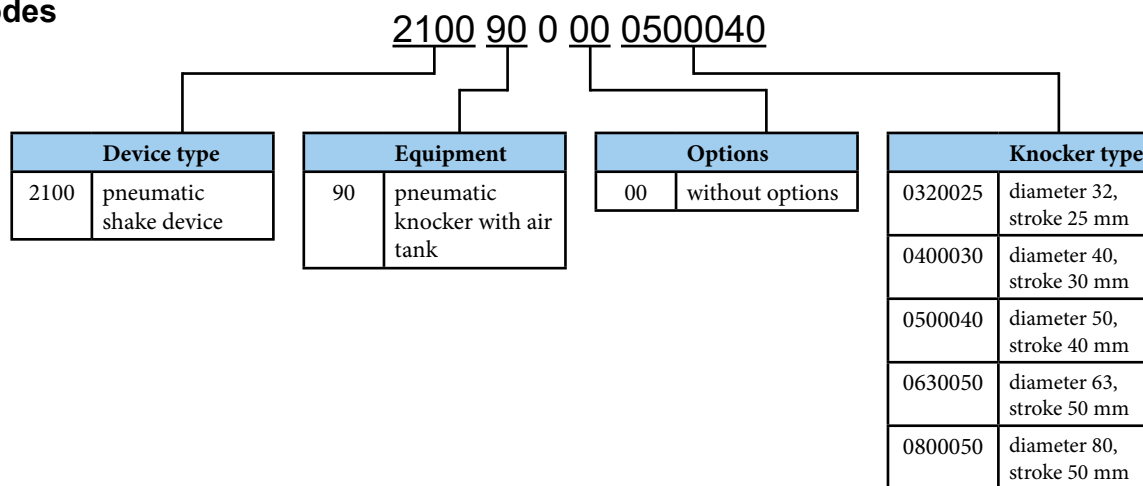


Pneumatic knocker could be used for bulk material release if the bulk material was stuck on the walls of tubes or filling hopper. Compared to ball vibrator, knocker can be used for materials which solidify by intensive shedding; in this case individual shakes are well-proven. Knocker should be controlled as well as double acting cylinder. The function is then given by the impulse effect when the pressure drop is created on the piston, the air before the piston is released and then the piston is fired against the wall of the knocker. Thanks to this principle the hammer does not require high demands on the flow of the distributor and the flow through the hoses.

Working pressure	0,6 MPa
Min. pressure	0,2 MPa
Max. pressure	1,0 MPa
Temp. range	-20°C to +80°C
Working medium	modified compressed air

Type	OKI32	OKI40	OKI50	OKI63	OKI80
Piston diameter [mm]	32	40	50	63	80
Piston weight [kg]	0,15	0,25	0,66	1,20	2,13
Recommended orifice of air supply [mm]	4	6	6	6	8
Recommended flow capacity [Nl/min]	400	600	600	600	800
Impulse [Ns]	1,5	2,7	5,2	12	20
Kinetic energy [Nm]	7,5	14	20	60	98
Max. frequency of shocks [min <sup>-1</sup> ]	30	24	20	15	12
Weight [kg]	1,2	1,8	4,0	5,9	9,7

## Order codes



## Installation and operation notes

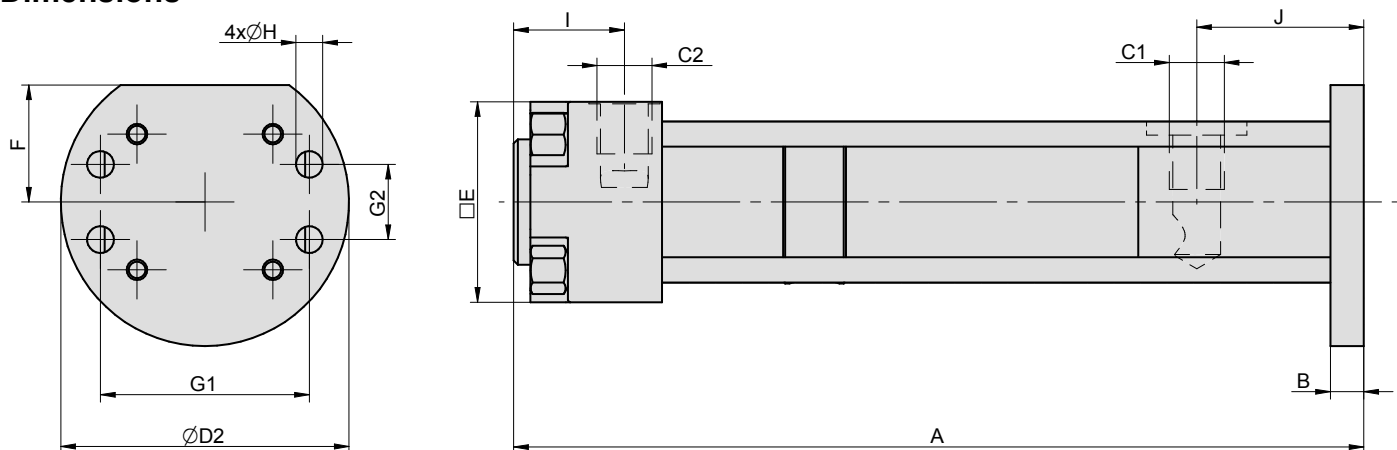
We recommend to fix fixing screws with Loctite 242E or similar adhesive.

There is necessary to check right tightening of fixing screws regularly to prevent their releasing.

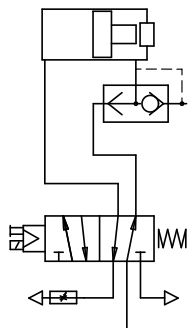
We recommend to use quick exhaust valve on exhaust on impact side not to decrease knocker's effectivity.

## Construction / materials

- flange: zinc plated steel
- end cap: aluminium casting
- body: drawn dural tube, hard anodized
- piston: steel

**Dimensions**


Ø	A	B	C1	C2	D2	E	F	G1	G2	H	I	J
32	203,5	8	G1/4"	G1/4"	69	48	28	50	18	6,4	26,5	40
40	225	10	G1/4"	G1/4"	72	55	30	55	20	6,4	24	44
50	287	12	G3/8"	G3/8"	98	65	40	70	30	8,4	21	62
63	307	15	G3/8"	G3/8"	119	75	45	85	40	10,5	20	58
80	313	20	G3/8"	G3/8"	138	94	50	100	50	13	20	58

**Recommended connection**


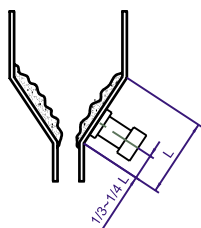
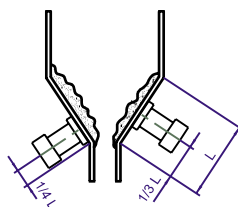
The 5/2 valve is suitable for knocker control. Valve should be placed as closest to knocker as possible, but we recommend to fix it so that valve will be isolated to shocks from knocker. We recommend to use quick exhaust valve on exhaust (mounted parallel to knocker's axis to prevent from shocks) so as not to decrease impact intensity. It is suitable to use speed control silencer during piston return movement, to get possible to control of return speed of piston into home position to prevent chocks.



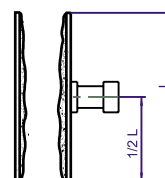
**Attention: knocker is designed to make shocks only by movement of piston towards to front cap with flange! Do not allow to make shocks during piston return movement in any case! It may be the cause of permanent damage of end cap of knocker!**

**Mounting examples**

Single knocker on filling hopper


 Two knockers on filling hopper  
(edge distances should be different)


Single knocker on tube



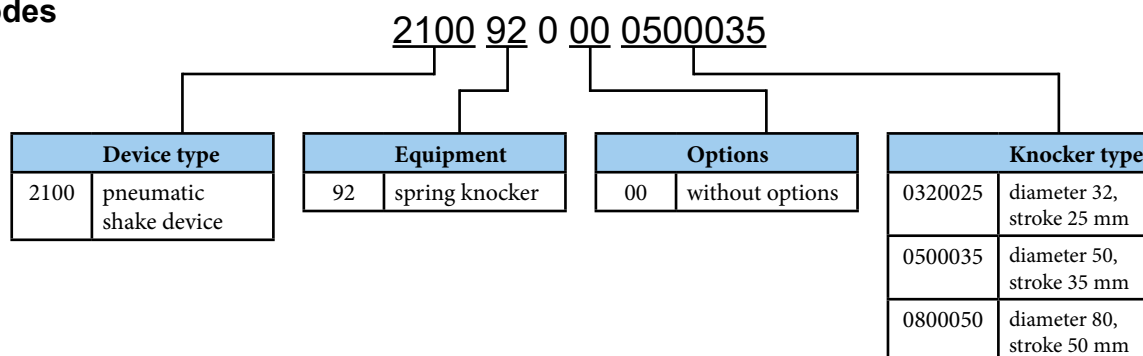


Pneumatic knocker could be used for bulk material release if the bulk material was adhered on walls of tubes or filling hopper. Compared to ball vibrator, knocker can be used for materials which solidify by intensive shedding; in this case individual shakes are well-proven. The principle is simple: by pressurize of air chamber the spring is pre-tensioned and by air exhausting the spring causes the impact. This system should be used, when there is no sufficient flow rate in the line for standard pneumatic knockers without springs.

Working pressure	0,6 MPa
Min. pressure	0,4 MPa
Max. pressure	1,0 MPa
Temp. range	-20°C to +80°C
Working medium	modified compressed air

Type	OKP32	OKP50	OKP80
Piston diameter [mm]	32	50	80
Stroke [mm]	25	35	50
Piston weight [kg]	0,16	0,75	2,60
Impulse [Ns]	1,5	7	20
Kinetic energy [Nm]	6,5	28	75

## Order codes



## Installation and operation notes

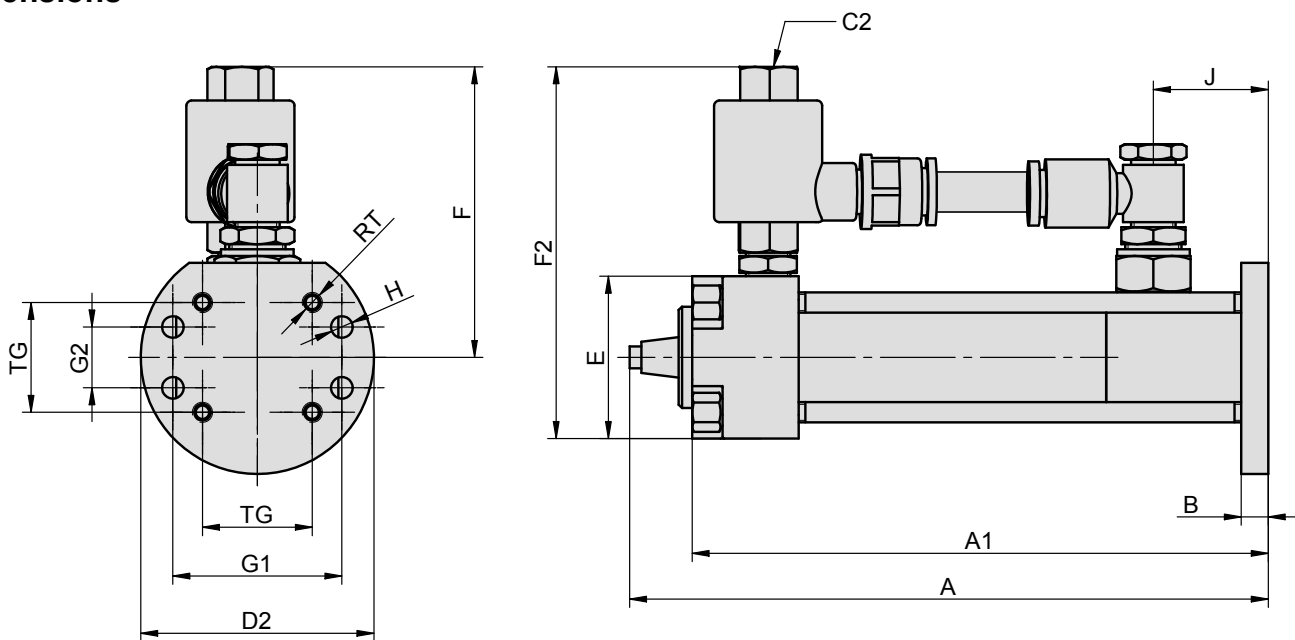
We recommend to fix fixing screws with Loctite 242E or similar adhesive.

There is necessary to check right tightening of fixing screws regularly to prevent their releasing.

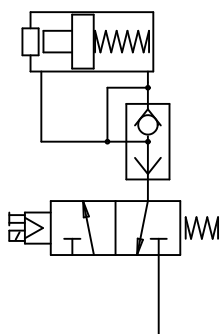
The quick exhaust valve and connections of both chambers are included in delivery, compressed air should be connected to the quick exhaust valve.

## Construction / materials

- flange: zinc plated steel
- end cap: aluminium casting
- body: drawn dural tube, hard anodized
- piston: steel

**Dimensions**


Ø	A	A1	B	C2	D2	E	F	F2	G1	G2	J	H	RT	TG
32	189	171	8	G1/4"	69	48	86	110	50	18	34	6,4	M6	32,5
50	267	250	12	G3/8"	98	65	96	128	70	30	44	8,4	M8	46,5
80	343	309	20	G1/2"	150	94	126	173	110	60	58	13	M10	72

**Recommended connection**


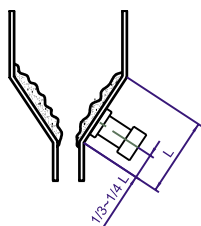
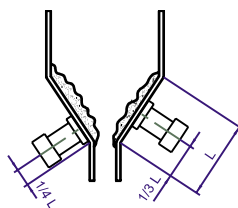
The 3/2 valve is suitable for knocker control. The force of knocker does not depend on distance between knocker and valve. We recommend to mount the valve outside, where the knocker's shocks couldn't reach the valve.



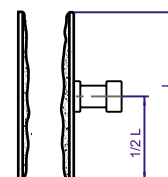
**Attention: knocker is designed for make shocks only by movement of piston towards to front cap with flange! Do not allow to make shocks during piston return movement in any case! It may be the cause of permanent damage of end cap of knocker!**

**Mounting examples**

Single knocker on filling hopper


 Two knockers on filling hopper  
(edge distances should be different)


Single knocker on tube





Air cannon is used to give support to free-flow of material in bunkers, hoppers, silos, etc. The volume of reservoir of air cannon is intensely expanded into the area with blocked material. This shot will release the material, which will flow by standard way.

Working pressure	0,6 MPa
Min. pressure	0,2 MPa
Max. pressure	1,0 MPa
Temp. range	-25°C to +90°C
Working medium	modified compressed air

Size - volume	2 litres	8 litres
Connections	G3/8"	G1/2"
Weight [kg]	10	33
Min. tightening torque [Nm]	25	100
Recommended orifice of air supply [mm]	8	10
Recommended flow capacity [Nl/min]	600	1100
Max. number of shots per minute	10	8
Flange connection	DN20 PN6	DN50 PN16

## Order codes

Size - volume	Order codes
Air cannon, volume 2 litres	4500 2608 4406 0002
Air cannon, volume 8 litres	4500 2608 4406 0001

## Installation and operation notes

We recommend to fix fixing screws with Loctite 242E or similar adhesive.

There is necessary to check right tightening of fixing screws regularly to prevent their releasing.

The quick exhaust valve is included in delivery, compressed air should be connected to the quick exhaust valve.

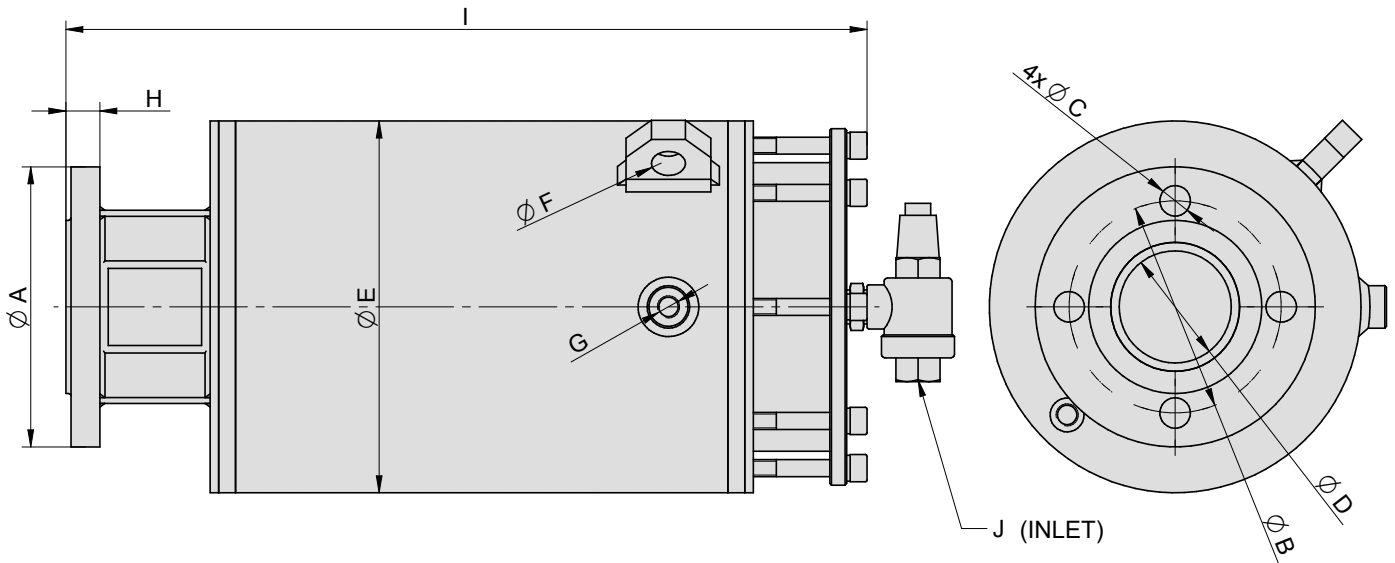
The air cannon must be fixed by restraining cable to the vessel.

Installation must be done accordingly to the users manual.

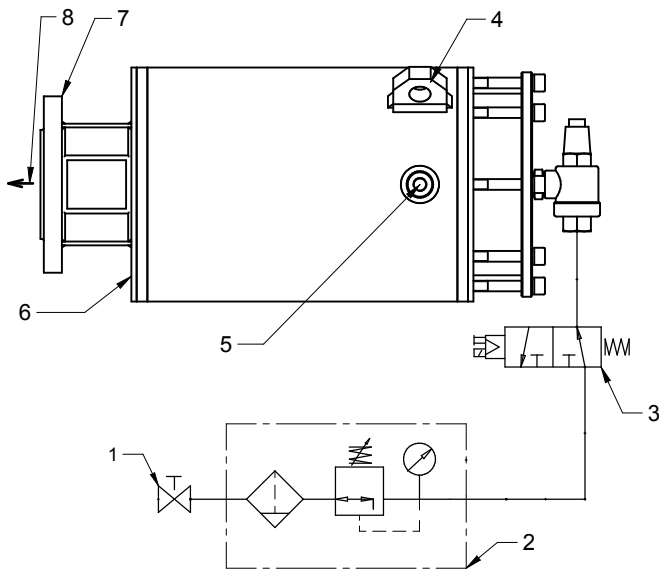
## Construction / materials

- body, end cap: steel, ground coat
- tube: extruded dural tube
- piston: plastic
- sealing: NBR



**Dimensions**


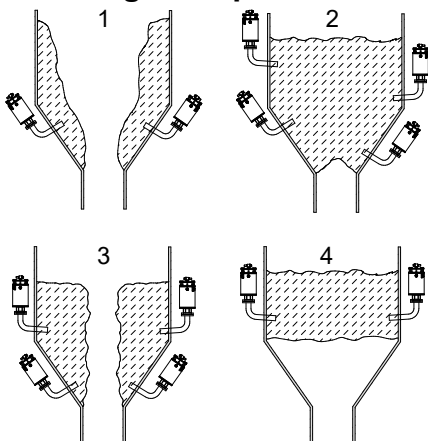
Volume	A	B	C	D	E	F	G	H	I	J
2 litres	90	65	11	20	133	12	G1/4"	14	367	G3/8"
8 litres	165	125	18	66	219	20	G1/4"	20	472	G1/2"

**Recommended connection**


The 3/2 valve is suitable for air cannon control. The force of air cannon does not depend on distance between air cannon and valve. We recommend to mount the valve outside, where the air cannon's shocks couldn't reach the valve.

Position	Description
1*	shutting-off valve
2*	filter with pressure regulator
3*	3/2 normally open valve
4	shackle for installing restraining cable
5	plug G1/4" - for example for gauge
6	draining screw
7	flange connection
8	direction of air shot

Items marked by asterisk (\*) are optional - they has to be ordered separately.

**Mounting examples**


There are four main problems associated with interruption of free flow of bulk solids in bunkers, hoppers, silos transfer chutes etc., as shown in Figs. 1, 2, 3 and 4. Please note these illustrations are for general information only, there being various other blocking scenarios which occur

**1) Clinging**

Material deposits clinging to the sides of hoppers, reducing free-flow and creating the possibility of contamination of new material if clinging deposits break free from sides of vessel.

**2) Bridging**

Blockage at the outlet of the storage hopper resulting in complete loss of production. This is a common fault where fine materials are being processed and the moisture content is higher than normal.

**3) Ratholing**

An extreme form of clinging, reducing free-flow and requiring regular topping up of small quantities of material. Loss of production will be the result of this condition and the solution, i.e., high pressure lancing vibration etc., can result in huge lumps of material breaking away and blocking the outlet.

**4) Arching**

Type of bridging occurring at a high level within the hopper. This condition creates a dangerous situation for operators when trying to clear the blockage and also a possible maintenance /damage issue for the works engineer and the high costs resulting from the loss of production.

# PNEUMATIC SWING CLAMP CYLINDERS SERIES MCKC



Pneumatic swing clamp cylinders are used for various types of clamping. Thanks to the design, it is easy to fit the clamping material because the clamping arm rotates over the material during clamping and then clamps. For the MCKC series, the angle of rotation is fixed - 90°. The clamps have a magnetic piston for non-contact position sensing.

For more information like technical data and dimensions, please visit our web page on [www.stranskyapetrzik.cz](http://www.stranskyapetrzik.cz).

Working pressure	0,6 MPa
Min. pressure	0,1 MPa
Max. pressure	0,9 MPa
Temp. range	-5°C to +60°C
Working medium	modified compressed air

Piston diameter [mm]	12	16	20	25	32	40
Thrust at 0,6 MPa [N]	67	120	188	294	482	754
Return (clamp) force at 0,6 MPa [N]	51	90	120	226	361	633
Clamp stroke [mm]	10, 20		10, 20, 30			
Rotary stroke [mm]	7,5		9,5		15	
Non-rotating accuracy [°]	±2	±1,3	±1,2		±1	
Available speed range [mm.s <sup>-1</sup> ]	50 - 200					
Port size	M5				G1/8"	
Weight 0 mm stroke -with arm [kg]	0,066	0,100	0,266	0,319	0,573	0,652
Weight 0 mm stroke - without arm [kg]	0,052	0,066	0,176	0,229	0,382	0,461
Weight add. per 1 mm stroke [kg]	0,016	0,023	0,038	0,046	0,069	0,074

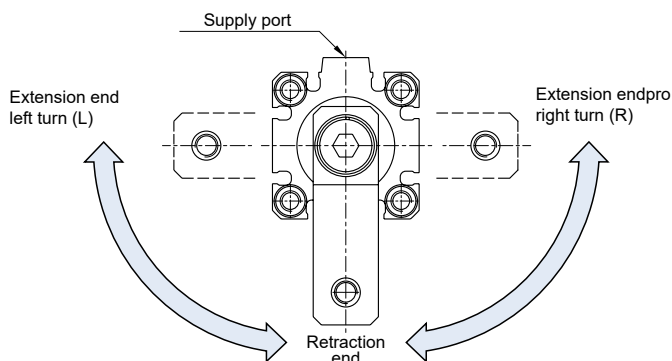
## Order codes

P MCKC 32 10 L N G

Piston diameter		Stroke		Rotation		Arm		Air supply thread	
12	12 mm	10	10 mm	L	left		yes		M5 for piston dia. 12 to 25 mm
16	16 mm	20	20 mm	R	right				
20	20 mm	30*	30 mm				N	no	G1/8" for piston dia. 32 and 40 mm
25	25 mm								
32	32 mm								
40	40 mm								

\*) Only for piston dia. 20 mm and larger

## Rotation



**i** For more information like technical data and dimensions, please visit our web page on [www.stranskyapetrzik.cz](http://www.stranskyapetrzik.cz).

**i** In case of proximity sensing request, please contact our technical dept. for details



Swing clamps are used when it is required to keep the fixture workpiece area free of straps and clamping components for unrestricted workpiece loading and unloading. This pneumatic clamping element is a pull type cylinder, there are five standard sizes and for each size two versions of standard clamping arms, mounting of these clamping arms at any angle within 360°.

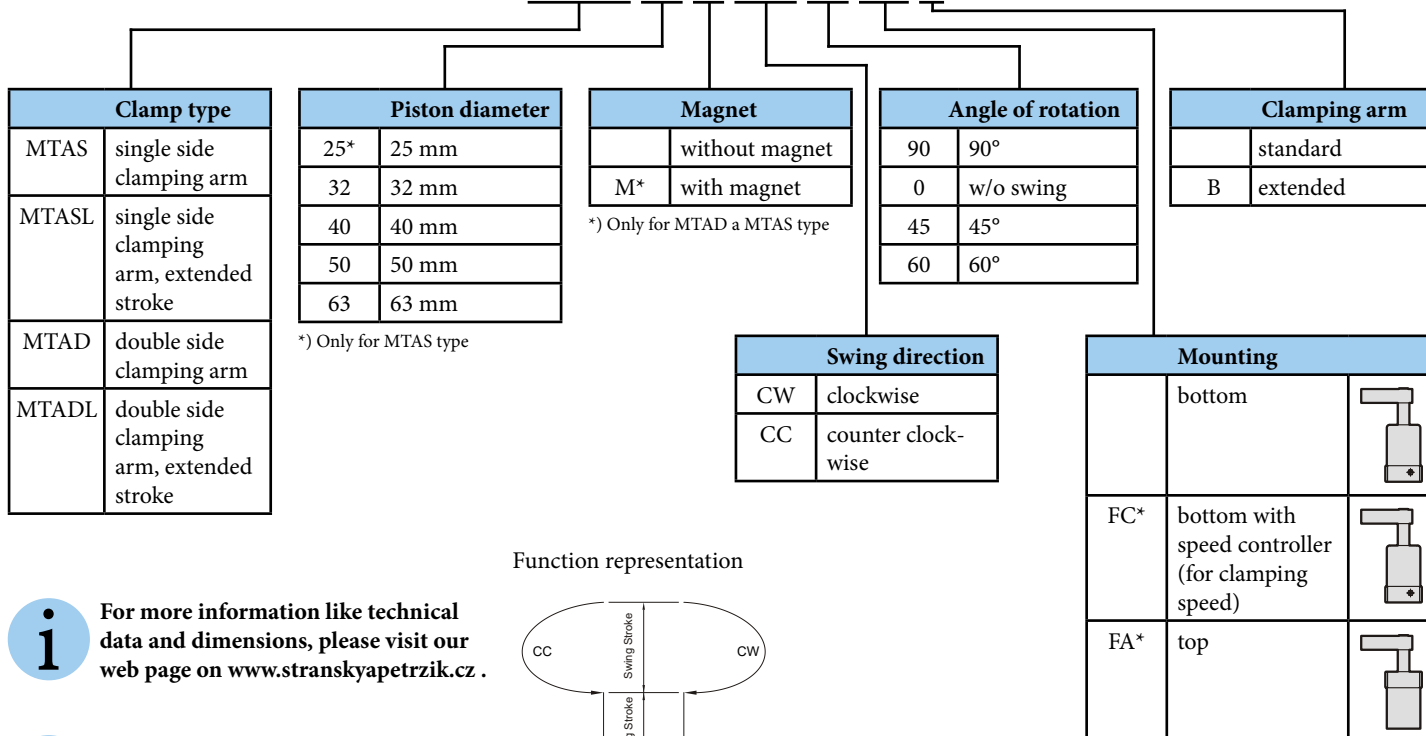
For more information like technical data and dimensions, please visit our web page on [www.stranskyapetrzik.cz](http://www.stranskyapetrzik.cz).

Working pressure	0,6 MPa
Min. pressure	0,1 MPa
Max. pressure	1,0 MPa
Temp. range	-5°C to +60°C
Working medium	modified compressed air

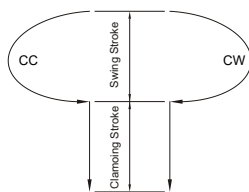
Piston diameter [mm]	25	32	40	50	63
Clamping force at 0,6 MPa [N]	200	360	630	980	1680
Clamping stroke - standard / extended [mm]	13 / -	15 / 30	15 / 30	17 / 34	17 / 34
Swing stroke [mm]	9	11	11	13	13

## Order codes

P MTAD 32 M CW 90 FC B

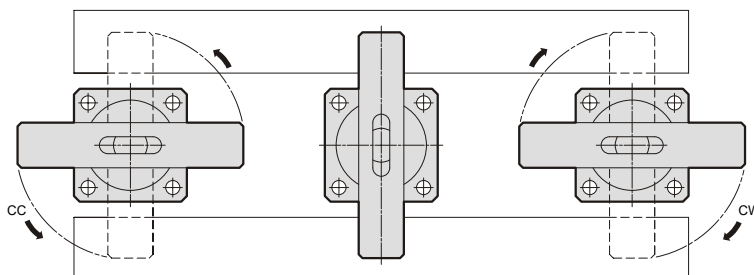


Function representation

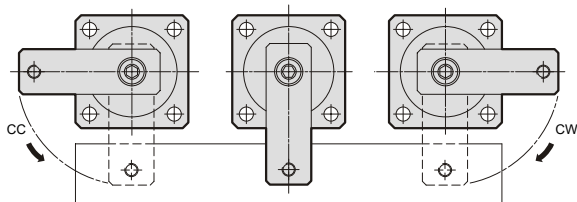


\*) Only for type without magnet and extended stroke, for piston dia. 32 mm and more

Double side swing clamp



Single side swing clamp



**i** For more information like technical data and dimensions, please visit our web page on [www.stranskyapetrzik.cz](http://www.stranskyapetrzik.cz).

**i** In case of proximity sensing request, please contact our technical dept. for details

# PNEUMATIC CLAMP CYLINDERS SERIES MCKA

Pneumatic clamp cylinders are used for various types of clamping. Clamp cylinders can be mounted to any clamping mechanism. Clamping cylinders can be equipped with magnetic piston and they are delivered with end position cushioning at both sides.

For more information, please visit our web page on [www.stranskyapetrzik.cz](http://www.stranskyapetrzik.cz).



Working pressure	0,6 MPa
Min. pressure	0,05 MPa
Max. pressure	1,0 MPa
Temp. range	-5°C to +60°C
Working medium	modified compressed air

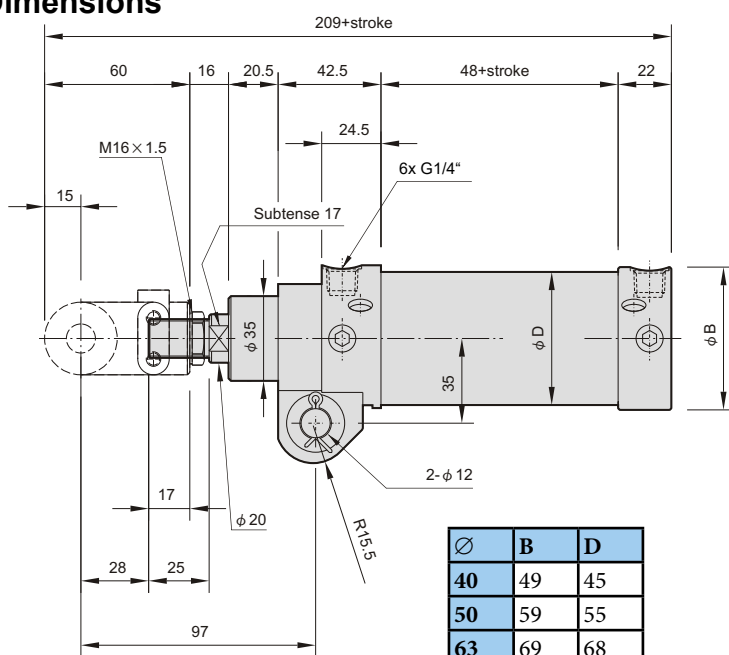
Piston diameter [mm]	40	50	63
Thrust at 0,6 MPa [N]	754	1178	1870
Return force at 0,6 MPa [N]	565	990	1682
Connection	3x G1/4" in front cap and 3x G1/4" in end cap, always revolved for 45°		
Max. stroke [mm]	150	150	150
Available speed range [mm.s <sup>-1</sup> ]	50 až 500		

## Order codes

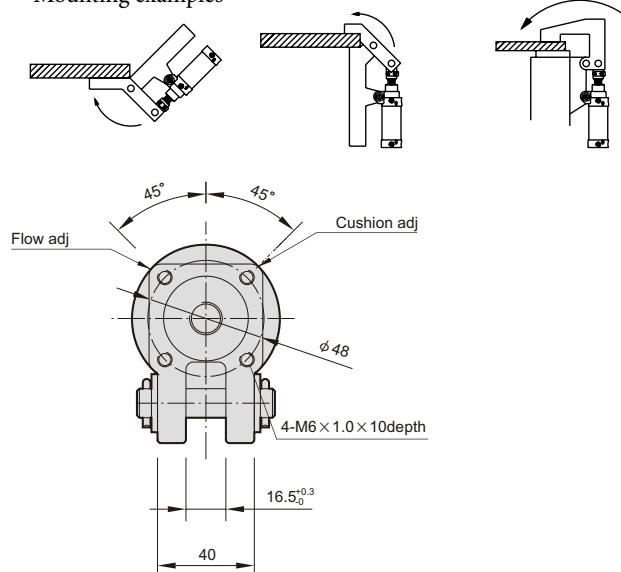
P MCKA 40 100 M A

Clamp type		Piston diameter		Stroke		Magnet		Equipment	
MCKA	double acting	40	40 mm	50	50 mm		without magnet		with both end cushioning
		50	50 mm	75	75 mm	M	with magnet		
		63	63 mm	100	100 mm			A	with speed controller
				125	125 mm				
				150	150 mm				

## Dimensions



## Mounting examples



## Construction / materials

- front cap: carbon steel
- end cap: aluminium alloy
- tube: aluminium alloy
- piston rod: carbon steel

**i** In case of proximity sensing request, please use switches series KT-50 and PBL-1 holder or KT-21 and PAB holder - see page 3-2 for details



Pneumatic grippers are used for accurate object handling in automated operation. There are angular and parallel grippers available, which allows to gripe objects with various shapes. Wide size range warrants use for small as well as for heavy objects. Grippers are delivered with magnet as standard.

For more information, please visit our web page on [www.stranskyapetrzik.cz](http://www.stranskyapetrzik.cz).

Working pressure	0,5 MPa
Min. pressure	0,15 MPa
Max. pressure	0,7 MPa
Temp. range	-5°C to +60°C
Working medium	modified compressed air

Piston diameter [mm]	12	16	20	25	32
Clamping force at 0,5 MPa [N] for series MCHA closed / opened*	5,5 / 7	12,5 / 17	24 / 32,5	48 / 62	86 / 114,5
Clamp / release angle for series MCHA [°]	-10 to +30				
Clamping force at 0,5 MPa [N] for series MCHB closed / opened*	8 / 5	24 / 18	47 / 35	75 / 60	100 / 85
Arm stroke for series MCHB [mm]	6	8	12	14	16
Connection	M3	M5	M5	M5	M5
Max. frequency of clamping [number of cycles per minute]	180				
Max. arm length [mm]	30	40	60	70	85

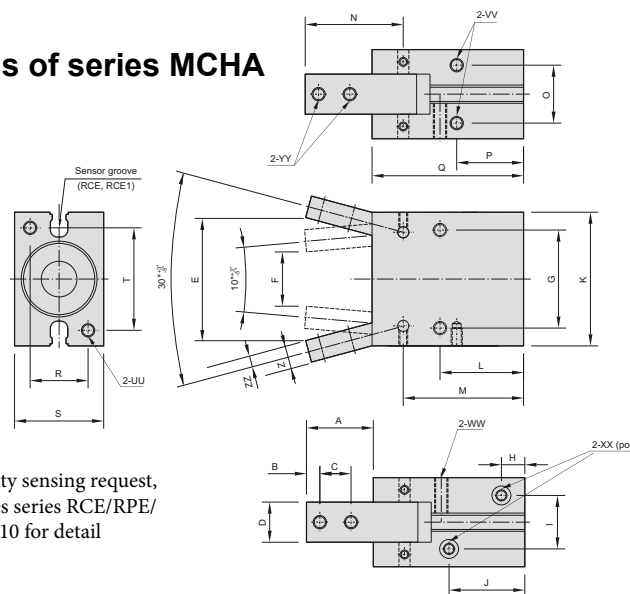
\*) For arm length L= 30 mm

## Order codes

### P MCHA 20

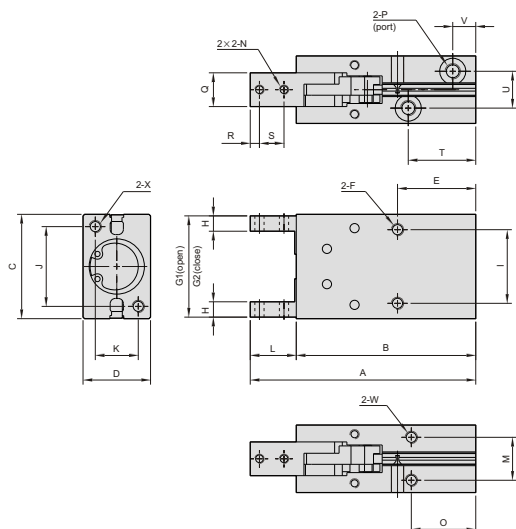
Gripper type		Piston diameter	
MCHA	angular	12	12 mm
		16	16 mm
		20	20 mm
		25	25 mm
MCHB	parallel	32	32 mm

## Dimensions of series MCHA



**i** In case of proximity sensing request, please use switches series RCE/RPE/RNE - see page 3-10 for detail

## Dimensions of series MCHB



### Dimensions of series MCHA

∅	A	B	C	D	E	F	G	H	I	J	K	L	M	N	O	P	Q	R	S	T	UU	VV	WW	XX	YY	Z	ZZ
12	15,4	3	6	7	26,3	9	20	7,5	10,2	23,5	28	20	32,9	21,5	10,2	16	39	10	16	22	M3	M3	M3	M3	M3	5	2,5
16	17,5	3	8	9	31,1	14	24	7,5	12	22	34	22,5	35	25	14	18	42,5	14	22	26	M4	M4	M4	M5	M3	6	3
20	22	4	10	12	40,1	18	30	8	13	25	45	25	39,5	32,5	16	19	50	16	26	35	M5	M5	M5	M5	M4	7	3,5
25	26	5	12	14	47,9	21	36	8,5	18	28	52	28,5	45,5	38,5	20	21,5	58	20	32	40	M6	M6	M6	M5	M5	9	4
32	30	6	14	18	55,1	24	44	10,5	24	34	60	37,5	54	44	26	30	68	26	40	46	M6	M6	M6	M5	M6	10	5

### Dimensions of series MCHB

∅	A	B	C	D	E	F	G1	G2	H	I	J	K	L	M	N	O	P	Q	R	S	T	U	V	W	X
12	63,5	50,5	28	16	20	M3 hl.5	27	21	4	18	17	10	13	10	M3	16	M3	7	3	6	23	10,2	7,5	M3 hl.5	M3 hl.5
16	73,5	58,5	34	22	25,5	M4 hl.11	33	25	5	24	26	14	15	14	M3	21	M5	11	3	8	22	12	7,5	M4 hl.7	M4 hl.7
20	88,5	69,5	45	26	25	M5 hl.8	44	32	6	30	35	16	19	16	M4	19	M5	12	4	10	26	13	8	M5 hl.8	M5 hl.8
25	102,5	78,5	52	32	28	M6 hl.10	51	37	8	36	40	20	24	20	M5	22	M5	14	5	12	29	18	8,5	M6 hl.10	M6 hl.10
32	120,5	90,5	60	40	34	M6 hl.10	59	43	10	44	46	24	30	26	M6	26	M5	20	7	15	35	24	10,5	M6 hl.10	M6 hl.10

# PNEUMATIC THREE JAWS PARALLEL GRIPPERS SERIES MCHG2

Pneumatic grippers are used for accurate object handling in automated operation. Three jaws grippers are used for handling with rotary objects. Wide size range warrants use for small as well as for heavy objects. Grippers are delivered with magnet as option.

For more information, please visit our web page on [www.stranskyapetrzik.cz](http://www.stranskyapetrzik.cz).



Working pressure	0,5 MPa
Min. pressure	0,2 MPa pro Ø16 and 25 0,1 MPa for Ø32 and more
Max. pressure	0,6 MPa
Temp. range	-10°C to +60°C
Working medium	modified compressed air

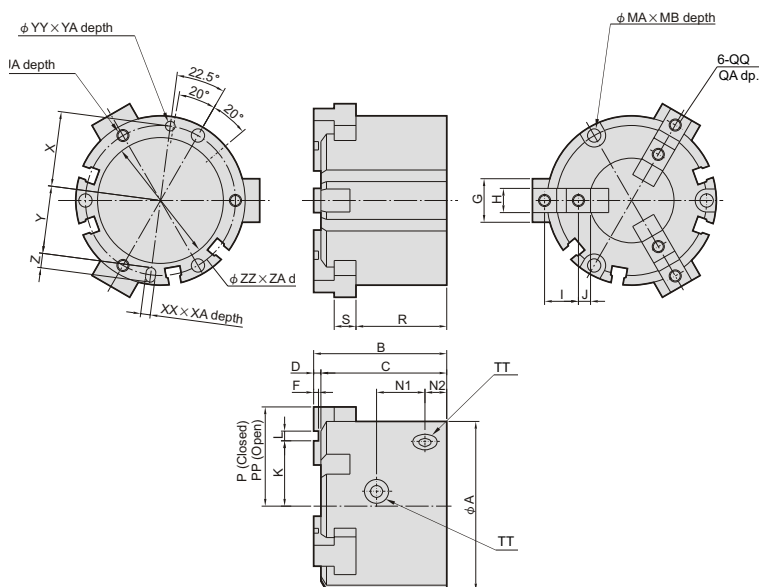
Piston diameter [mm]	16	20	25	32	40	50	63	80	100	125
Clamping force at 0,5 MPa [N] closed / opened*	14 / 16	25 / 28	42 / 47	74 / 82	118 / 130	187 / 204	335 / 359	500 / 525	750 / 780	1270 / 1320
Arm stroke [mm]	4	4	6	8	8	12	16	20	24	32
Connection	M3	M5	M5	M5	M5	M5	M5	G1/8"	G1/4"	G3/8"
Max. frequency of clamping [no. of cycles per min.]	120			60			30			
Repeatability [mm]	± 0,01									

\*) For arm length L=20 mm for Ø16 to 25, 30 mm for Ø32 to 63, 50 mm for Ø80 to 125

## Order codes

### P MCHG2 16 M

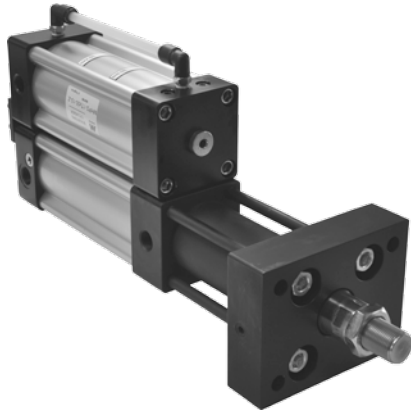
Gripper type	Piston diameter	Magnet	
		M	with magnet
MCHG2 three jaws parallel	16	16 mm	
	25	25 mm	
	32	32 mm	
	40	40 mm	
	50	50 mm	
	63	63 mm	
	125	125 mm	



## Dimensions

Ø	A	B	C	D	F	G	H <sub>H9</sub>	I	J	K	L <sub>H9</sub>	MA	MB	MM	MR	N1	N2	P	PP	QA	QQ	R	S	TT	UA	UU	X	XA	XX <sub>H9</sub>	Y	YY <sub>H9</sub>	Z	ZA	ZZ <sub>H9</sub>		
16	30	35	32	3	2	8	5	6	2	11	2	6,5	8	3,4	25	11	7	15	17	5	M3	25	4	M3	4,5	M3	12,5	2	2	11	2	3	1,5	17		
20	36	38	35	3	2	10	6	7	2,5	13	2	6,5	9,5	3,4	29	13	7	18	20	6	M3	27	5	M5	6	M3	14,5	2	2	13	2	3	1,5	21		
25	42	40	37	3	2	12	6	8	3	16	2	8	10	4,5	34	15	7	21	24	6	M3	28	5	M5	6	M4	17	3	2	14,5	3	5	1,5	26		
32	52	44	41	3	2	14	8	11	4,5	21	2	8	9	4,5	44	16	8	28	32	8	M4	30,5	6	M5	6	M4	22	3	3	19,5	3	5	2	34		
40	62	47	44	3	2	16	8	12	4,5	23	3	9,5	9	5,5	53	17	9	31	35	8	M4	32	7	M5	7,5	M5	26,5	4	4	23,5	4	6	2	42		
50	70	55	52	3	2	18	10	14	5	27	4	9,5	12	5,5	62	20	9	35	41	10	M5	37,5	9	M5	10	M5	31	4	4	28	4	6	2	52		
63	86	66	62	4	3	24	12	17	5,5	34	6	11	14	6,6	76	22	12	43	51	10	M5	44	11	M5	9	M6	38	5	5	34,5	5	7	2,5	65		
80	106	82	77	5	4	28	14	20	6	44	8	11	19	6,6	95	27	13,5	53,5	63,5	12	M6	56	12	M6	12	G1/8"	12	M6	47,5	6	6	43,5	6	8	3	82
100	134	96	90	6	4	34	18	23	7,5	42,5	8	14	21	9	118	30,6	18	66	78	16	M8	63	15	G1/4"	16	M8	59	6	8	54	8	10	4	102		
125	166	122	114	8	6	40	22	31	10,5	50	10	17,5	34	11	148	38	23,5	82	98	20	M10	84	18	G3/8"	20	M10	74	8	10	68	10	12	6	130		





Pneumatic-hydraulic boosters are used for generating high force using standard air pressure. They are designed to save energy, time, space and money in wide variety of applications. These abilities and benefits of power cylinders make them ideal component in many applications, you can use them for such operation as marking, forming, punching riveting, shearing, steering, straightening, and so on.

For more information, please visit our web page on [www.stranskyapetrzik.cz](http://www.stranskyapetrzik.cz).

Working pressure	0,3 to 0,8 MPa
Temp. range	-10°C to +60°C
Working medium	modified compressed air
Installation	vertical (piston rod down)

Type	1T	3T	5T	8T	10T
Tube inside diameter [mm]	50	70	80	100	125
Piston rod diameter [mm]	30	40	50	60	70
Auxiliary stroke / working stroke [mm] *	50, 75, 100, 150, 200 / 5, 10, 15, 20				

\*) See table below for allowed combination of auxiliary and working strokes

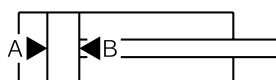
### Order codes

P MHPD 3T 100 — 10 Z

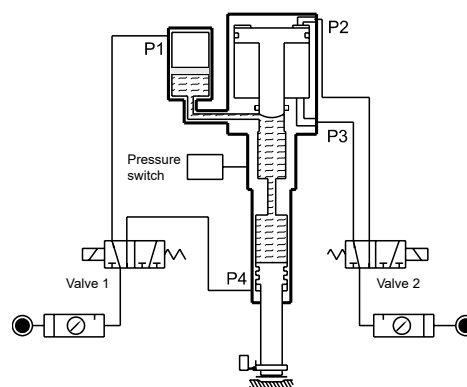
Power cylinder		Type		Total stroke		Working stroke		Piston rod end	
MHPD	pneumatic-hydraulic	1T	diameter 50 mm	50	50 mm	5	5 mm		hole
		3T	diameter 70 mm	75	75 mm	10	10 mm	Z	male thread
		5T	diameter 80 mm	100	100 mm	15	15 mm		
		8T	diameter 100 mm	125	125 mm	20	20 mm		
		10T	diameter 125 mm	150	150 mm				
				200	200 mm				

### Theoretic force [N]

Type		1T	3T	5T	8T	10T	
Operating pressure [MPa]	0,3	A	7 216	18 473	30 054	46 959	67 630
		B	377	778	919	1 508	2 527
	0,4	A	9 621	24 630	40 072	62 612	90 174
		B	503	1 037	1 225	2 011	3 369
	0,5	A	12 026	30 788	50 090	78 265	112 717
		B	628	1 296	1 532	2 513	4 212
	0,6	A	14 432	36 945	60 108	93 918	135 261
		B	754	1 555	1 838	3 016	5 054
	0,7	A	16 837	43 103	70 126	109 571	157 804
		B	880	1 814	2 144	3 519	5 896
	0,8	A	19 242	49 260	80 143	125 224	180 347
		B	1 005	2 073	2 450	4 021	6 739



**i** For more information, please visit our web page on [www.stranskyapetrzik.cz](http://www.stranskyapetrzik.cz).



When the air is charged from the port P1, the oil in the tank will forward the hydraulic cylinder quickly. The pressure is the same as the air pressure, but the inflow of oil is large in volume. When the air is charged from the port P2, a ram will advance, the highly pressured fluid will come in to the hydraulic cylinder which will be forwarded by large thrust. When the air is send into port P4 and P3, the hydraulic cylinder is swiftly reversed, and at the same time the ram goes back.

### Working strokes [mm]

Type	Total stroke [mm]	1T	3T	5T	8T	10T
MHPD	50	5,10,15	5,10	5,10	5,10	5,10,15
	75	5,10,15,20	5,10,15	5,10,15	5,10,15	5,10,15
	100	5,10,15,20	5,10,15	5,10,15	5,10,15	5,10,15,20
	125	5,10,15,20	10,15	5,10,15	10,15	10,15,20
	150	10,15,20	10,15,20	10,15,20	10,15,20	10,15,20
	200	10,15,20	10,15,20	10,15,20	10,15,20	10,15,20

Type	Total stroke [mm]	1T	3T	5T	8T	10T
MHPD ... Z	50	5,10,15,20	5,10	5,10,15	5,10,15	5,10,15
	75	5,10,15,20	5,10,15	5,10,15	5,10,15	5,10,15,20
	100	5,10,15,20	5,10,15,20	5,10,15	5,10,15,20	5,10,15,20
	125	5,10,15,20	10,15,20	5,10,15,20	10,15,20	10,15,20
	150	10,15,20	10,15,20	10,15,20	10,15,20	10,15,20
	200	10,15,20	10,15,20	10,15,20	10,15,20	10,15,20



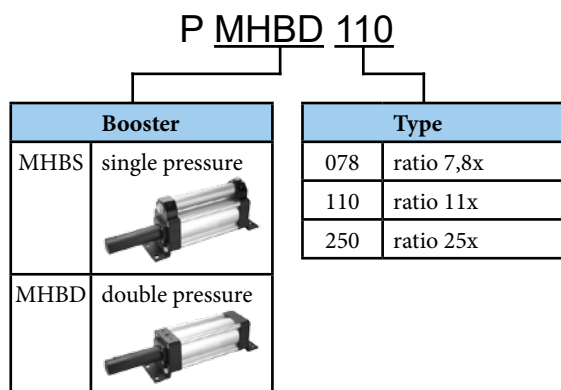
Boosters series MHB are used for generating of high pressure of hydraulic oil by air with common pressure. They are designed to save energy, time, space and money in wide variety of applications. These abilities and benefits of power cylinders make them ideal component in many applications, you can use them for such operation as marking, forming, punching riveting, shearing, steering, straightening, and so on.

For more information, please visit our web page on [www.stranskyapetrzik.cz](http://www.stranskyapetrzik.cz).

Working pressure	0,2 to 0,7 MPa
Temp. range	+5°C to +60°C
Working medium	modified compressed air
Installation	horizontal

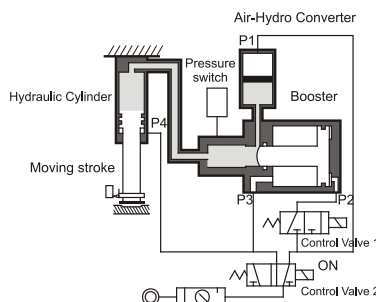
Type	078	110	250
Intensified pressure ratio	7,8	11	25
Max. oil pressure at air pressure 0,7 MPa [MPa]	5,3	7,6	17,2
Max. discharged oil volume at high pressure [ml]	50	120	120
Recommended oil	hydraulic petroleum oil ISO 68		

## Order codes



## Operating principle of double pressure booster MHBD

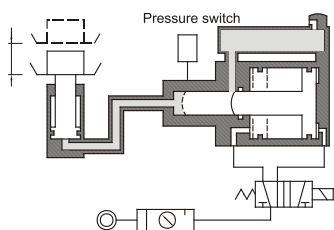
This type of booster is used for applications, where the auxiliary stroke with low force and working short stroke with big force is needed. Working stroke then conform to the oil volume, which is discharged by booster. Auxiliary stroke depends on volume of external air-hydro converter (which isn't in the supply).



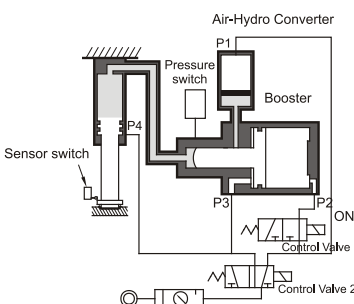
### Quick traverse

When the air is charged from the port P1, the oil in the tank will forward the hydraulic cylinder quickly. The pressure is the same as the air pressure, but the inflow of oil is large in volume.

## Operating principle of single pressure booster MHBS



Booster can be used for short stroke hydraulic cylinders, for which is volume discharged by booster sufficient. In this case, any 5/2 valve can be used for control of booster and hydraulic cylinder, which copy the movement of booster.



### Intensified feeding

When the air is charged from the port P2, a ram will advance. the highly pressured fluid will come in to the hydraulic cylinder which will be forwarded by large thrust.

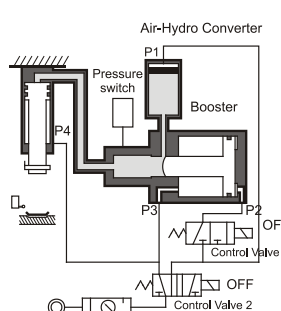


### Notice

- booster must be levelled
- booster must be placed higher than hydraulic cylinder
- frequency of use should be 6 times/min or lower



For more information, please visit our web page on [www.stranskyapetrzik.cz](http://www.stranskyapetrzik.cz).



### Swift release

When the air is send into port P4 and P3. the hydraulic cylinder is swiftly reversed. and at the same time the ram goes back.



Pneumatic booster regulators series MVBA are used for increasing of air pressure. These booster regulators are able to twice increase inlet pressure, but due to safety, the maximal output pressure is restricted up to 0,99 MPa. Boosters can be used in applications, where there is no sufficient pressure in regular distribution. The advantage is, that no additional power is required, so also heat generation is reduced. They are fully autonomous and they start to „produce“ high pressure air, when compressed air is brought to inlet port.

Working (supply) pressure	0,1 to 0,99 MPa
Temperature range	+2°C to +50°C
Working medium	modified compressed air
Installation	horizontal

Type	MVBA2100
Connection	G3/8" (exhaust port R3/8")
Pressure increase rate	2
Supply pressure [MPa]	0,1 to 0,99
Operating (output) pressure [MPa]	0,2 to 0,99
Flow capacity [NI] at supply pressure 0,5 MPa and output pressure 0,8 MPa	560
Weight [kg]	3,9

### Order codes

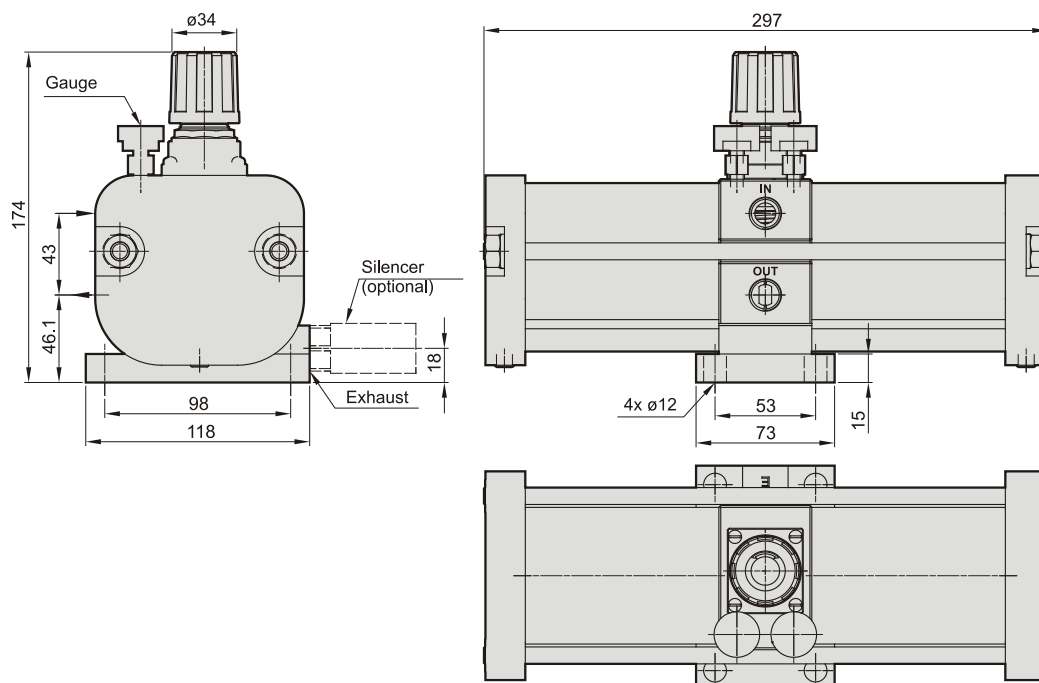
#### P MVBA 2100

Booster		Type	
MVBA	pneumatic	2100	pressure increase rate 2x

### Operation notes

- If the outlet capacity is undersized, pulsation may occur.
- Make sure to install a mist separator at the inlet side of the booster regulator, supply air must be dry - non lubricated
- The booster regulator has a sliding part inside, and it generates dust. Also, install a cleaning device such as an air filter or a mist separator on the outlet side as necessary.
- Depending on the necessity, install a silencer on the exhaust port of the booster regulator to reduce the exhaustion sound.
- Provide a dedicated pipe to release the exhaust air from each booster regulator. If exhaust air is converged into a pipe, the back pressure that is created could cause improper operation.

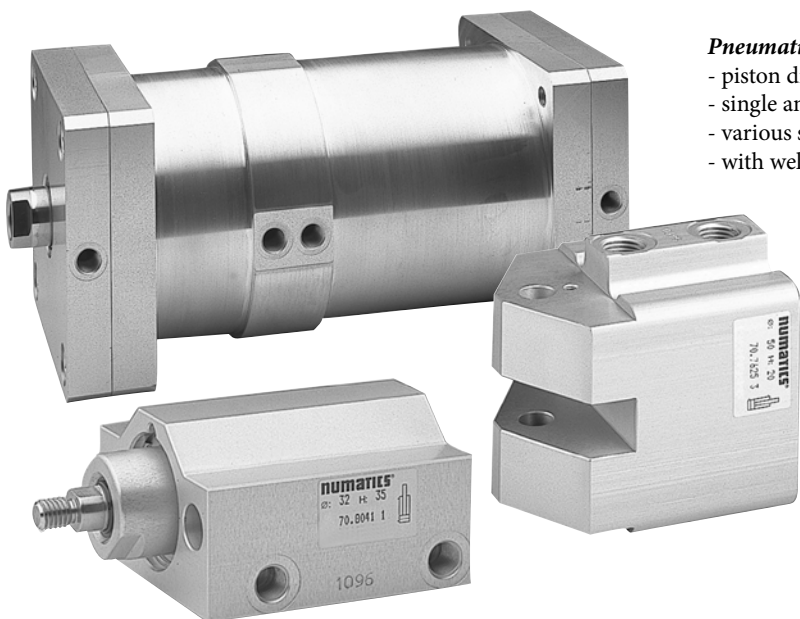
### Dimensions



**We also produce cylinders to customer's request:**

*Pneumatic cylinders for welding applications in automotive industry*








- piston diameters from 20 to 125 mm
- single and double acting
- various strokes incl. more stroke design (boxer)
- with welding sparks sealing protection



*Pneumatic cylinders to customer's request*

- piston diameters from 8 to 600 mm
- single and double acting
- various strokes incl. more stroke design (boxer)
- various material construction incl. stainless steel
- possibility of various surface finishing
- various types and materials of gaskets



	Series KT-21, KT-50 .....	3-2
	Series RZT7 and MZT8 .....	3-4
	Series SP2, SP4, SP5 and SP6 .....	3-6
	Proportional position sensor series MPS with analog output .....	3-8
	Series SP-472 for high temperature .....	3-9
	Series RCE, RPE and RNE .....	3-10
	Technical information .....	3-11





KT-xxP series of electronic (PNP) proximity switches eliminates negative features of reed relays. Those switches are fully electronic, which brings excellent properties, long lifetime and integrated protections. We also offer reed switches, series KT-xxR. Series KT switches can be used with all types of Stránský a Petržík's cylinders. For various types of cylinders the right bracket must be used. Switches KT-50 can be used with cylinders with T-slot made by other producer.

## Technical data

Description	Value / Switch type			
	KT-21P	KT-21R	KT-50P	KT-50R
Supply voltage $U_b$ [V]	5 to 30 DC	5 to 240 DC / AC	10 to 30 DC	5 to 240 DC / AC
Max. switching power [W / VA]	6	10	3	10
Continuous current $I_a$ [mA]	≤ 200	≤ 100	≤ 100	≤ 100
Power consumption [mA] at 24V on-state	20	—	20	—
Voltage drop $U_d$ [V]	≤ 0,5	≤ 3,5	≤ 2	≤ 3
Leakage current [mA]	≤ 0,01	—	≤ 0,05	—
Enclosure rating	IEC529 IP67			
Temperature range $T_a$ [°C]	-10 to +70			
Cable	PVC, 3x0,22 mm <sup>2</sup> , Ø4 mm	PVC, 2x0,22 mm <sup>2</sup> , Ø4 mm	PU, 3x0,22 mm <sup>2</sup> , Ø3 mm	PU, 2x0,22 mm <sup>2</sup> , Ø3 mm
Cable length	2 m or 0,15 m with M8x1 connector		2 m or 0,30 m with M8x1 connector	
Housing material	plastic, metal sheet		plastic, metal fixing device	
Integrated protection	against short circuit, overvoltage and reversing of polarity	—	against short circuit, overvoltage and reversing of polarity	—

## Order codes

Type	Switching output	Max. switching frequency [Hz]	Function indicator	Order codes for switch with connection	
				cable 2 m	cable 0,15 (0,30) m with M8x1 connector
KT-21P	PNP	1000	LED	2202 5111 0210 2000	2202 5111 0215 0000
KT-21R	reed	200	LED	2201 5102 0110 2000	2201 5102 0115 0000
KT-50P	PNP	1000	LED	2202 5011 0110 2000	2202 5011 0115 0000
KT-50R	reed	200	LED	2201 5002 0110 2000	2201 5002 0115 0000



Please read carefully technical information on page 3-11.

## How to fix switch on cylinder and which series for which cylinder type

Pneumatic cylinder type	Switch can be used					
	directly	with PM-x <sup>1)</sup> bracket	with PI-x <sup>2)</sup> bracket	with PBL-1 bracket (up to Ø63)	with PAB bracket (up to Ø100)	with bracket for dovetail groove
VDMA 24562, Ø32 to 100 mm			✓ KT-21			
VDMA 24562, Ø125 to 320 mm, CNOMO		✓ KT-21				
Compact, ISO 15552 (order code 10201...), short stroke Ø160 and 250 mm	✓ KT-50					
DIN ISO 6432					✓ KT-21	
Short stroke, Ø20 to 100 mm						✓ KT-50
PDSW, anti-corrosive - hygienic clean, rotary actuator, Ø 20 to 40 mm				✓ KT-50	✓ KT-21	
Rotary actuator, Ø50 and more mm		✓ KT-21				
With guide unit U or H <sup>3)</sup>		✓ KT-21		✓ KT-50	✓ KT-21	

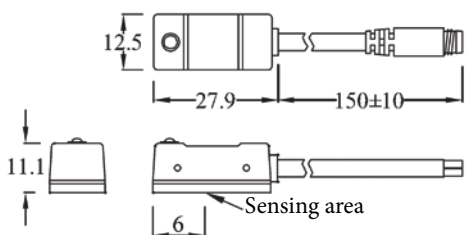
1) PM-6 bracket is for cylinders with tie rods diameter 5 to 6 mm (cylinders dia. 32, 40), PM-8 bracket is for tie rod diameter 8 mm (cylinders dia. 50, 63, 160 to 320), PM-12 bracket is for tie rod diameter 12 mm (cylinders dia. 80 to 125 mm)

2) PI-1 bracket is for cylinders dia. 32 and 40 mm, PI-2 is for cyl. dia 50 and 63 mm, PI-3 is for cyl. dia 80 mm and PI-4 is for cyl. dia 100 mm

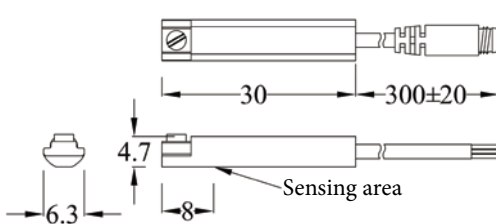
3) We recommend to use bracket for tube with cylinder with guide unit, to provide sensing in section, where the guide unit is mounted. The guide body inhibits using of bracket for tie rod / profile. On the other side, or in the area out of guide body, bracket for tie rod / profile can be used.



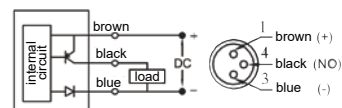
## Dimensions of series KT-21



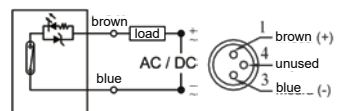
## Dimensions of series KT-50



## Connection of KT-xxP



## Connection of KT-xxR



## Brackets for switches series KT-21

Bracket PM-x for cylinder tie rods



Bracket PI-x for profile tube



Bracket PAB for tube

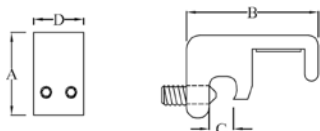


Type	Order codes	For cylinder	Tie rod
PM-6	2290 5119 0000 0000	Ø32, 40	Ø5 to 6
PM-8	2290 5120 0000 0000	Ø50, 63, 160 to 320	Ø8
PM-12	2290 5121 0000 0000	Ø80 to 125	Ø12

Type	Order codes	For cylinder
PI-1	2290 5115 0000 0000	Ø32, 40
PI-2	2290 5116 0000 0000	Ø50, 63
PI-3	2290 5117 0000 0000	Ø80
PI-4	2290 5118 0000 0000	Ø100

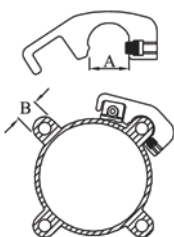
Type	Order codes	For cylinder
PAB	2290 5114 0000 0000	up to Ø100

We recommend to use bracket for tube with cylinder with guide unit, to provide sensing in section, where the guide unit is mounted. The guide body inhibits using of bracket for tie rod / profile. On the other side, or in the area out of guide body, bracket for tie rod / profile can be used.



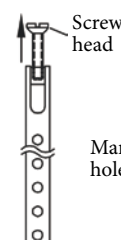
Type	A	B	C	D
PM-6	19	31,0	6,5	12
PM-8	20	34,5	8	12
PM-12	20	35,5	11,5	12

It is necessary to use PM-12 bracket for cylinder to VDMA 24562 dia. 125 mm, and bracket PM-8 for cylinders dia. 160 to 320 mm

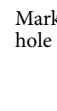


Type	A max	B max
PI-1	11,15	10,4
PI-2	14,10	13,5
PI-3	15,45	15
PI-4	16,3	16

## How to use PAB bracket:



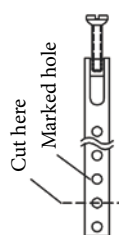
**Step 1:**  
Start by keeping screw 3 to 4 turns into barrel nut on the end of band assembly



**Step 2:**  
Place the screw head into clamp slot and wrap the band around the cylinder, position the pin with the nearest hole on the band and mark the hole with permanent marker



Clamp slot



**Step 3:**  
Remove clamp assembly from the cylinder. Locate the marked hole and cut the band at midway between next two adjacent holes



**Step 4:**  
Insert cut of the band into a flat slot opposite from the clamp slot. Place the chosen hole over the pin and bend the band firmly down with thumb pressure. Then wrap the band around the cylinder barrel and re-insert screw head into clamp. Position the switch and tighten.

## Brackets for switches series KT-50

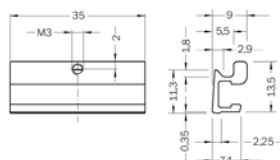
Bracket for dovetail groove



Bracket PBL-1 for tube



Order codes	For cylinder
2290 2011 0000 0000	Ø20 to 100



Type	Order codes	For cylinder
PBL-1	2290 5014 0000 0000	Ø10 to 63

## Cables with M8x1 connector

Description	Order codes - straight connector	Order codes - elbow connector
Connector only for cable max. 3x0,25 mm <sup>2</sup> , max. dia. 5,5 mm	2291 0001 0000 0000	2291 0002 0000 0000
PVC cable with connector 3x0,22 mm <sup>2</sup> , length 2m	2291 0010 0000 0000	2291 0015 0000 0000
PVC cable with connector 3x0,22 mm <sup>2</sup> , length 5m	2291 0011 0000 0000	2291 0016 0000 0000
PVC cable with connector 3x0,22 mm <sup>2</sup> , length 10m	2291 0012 0000 0000	2291 0017 0000 0000



These proximity switches are produced as reed switches or electronic switches. Advantage of these switches is that they can be used with all types of Stránský a Petržík's cylinders. It means, that there can be used not only several diameters but also more types of cylinders (VDMA, compact, DIN ISO, etc.) in pneumatic circuit and for all cylinders only one type of switch can be used (it is necessary to select proper bracket for various types of cylinder - see table below). It brings cost savings at designing electrical circuits, at connection as well as at circuit maintaining.

Switch can be used with cylinders with T-slot made by other producers.

## Technical data of series RZT7

Description	Value
Supply voltage $U_b$ [V]	5 to 30 DC / AC
Max. switching power [W]	≤ 6
Continuous current $I_a$ [mA]	≤ 500 (DC), ≤ 300 (AC)
Overrun distance, typ. [mm]	10
Enclosure rating to EN 60 529	IP 67
Temperature range $T_a$ [°C]	-20 to +70
Housing material	plastic
Cable	PVC, 3 x 0,12 mm <sup>2</sup>
Function indicator	LED
Integrated short circuit (max. 8A) and reverse polarity protection	

## Technical data of series MZT8

Description	Value for switching output	
	PNP and NPN	NAMUR EN 60947-5
Supply voltage $U_b$ [V]	10 to 30 DC	8,2 to 20 DC <sup>1)</sup>
Voltage drop $U_d$ [V]	≤ 2,2	
Power consumption [mA]	≤ 10	
Continuous current $I_a$ [mA]	≤ 200	≤ 60
Overrun distance, typ. [mm]	3	
Enclosure rating to EN 60 529	IP 68	IP 67
Temperature range $T_a$ [°C]	-30 to +80	-25 to +80
Housing material	plastic PA12	
Cable	PUR, 3 x 0,14 mm <sup>2</sup>	PVC, 2 x 0,14 mm <sup>2</sup>
Function indicator	LED	
Integrated short circuit, reverse polarity and power-up pulse protection		

## Order codes

Type	Switching output	Function	Max. switching frequency [Hz]	Sensitivity [mT]	Order codes for switch with connection		
					cable 2m	cable 5m	cable 0,3 m with connector M8x1
RZT7	reed	normally open (NO)	400	3	2201 2810 0510 2000	2201 2810 0510 5000	2201 2810 0515 0000
MZT8	PNP		1000	2,6	2202 2511 0210 2000	2202 2511 0210 5000	2202 2511 0215 0000
MZT8	NPN		1000	2,6	—	—	2202 2611 0215 0000
MZT8	NAMUR ATEX <sup>1)</sup>		1000	2,8	2202 2714 5610 2000	2202 2714 5610 5000	—

1) According NAMUR EN 60947-5-6. Using of isolated switch amplifier with certificates of conformity for explosion areas is recommended ( $U \leq 20$  V;  $I \leq 60$  mA;  $P \leq 100$  mW), device labeling: II 1D Ex ia IIC T135 °C Da, II 1G Ex ia IIC T4 Ga



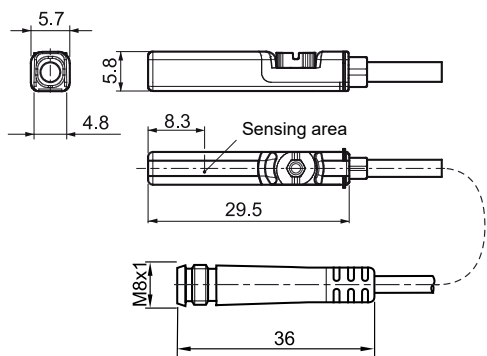
Please read carefully technical information on page 3-11.

## How to fix switch on cylinder and which series for which cylinder type

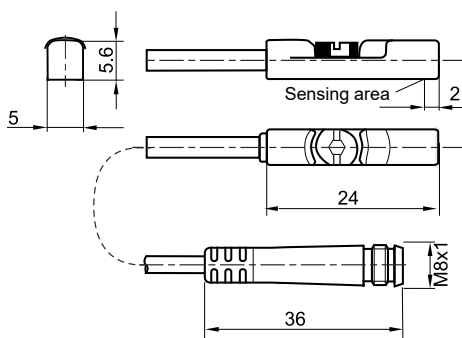
Pneumatic cylinder type	Switch can be used					
	directly	with bracket	with bracket for dovetail groove	With bracket for tube		
				up to Ø25	up to Ø63	up to Ø125
VDMA 24562, CNOMO		✓				
Compact, ISO 15552 (order code 10201...), short stroke Ø160 and 250 mm	✓					
DIN ISO 6432, PDSW, anti-corrosive - hygienic clean				✓		
Short stroke, Ø20 to 100 mm			✓			
Rotary actuator, Ø 20 to 40 mm				✓	✓	
Rotary actuator, Ø50 and more mm		✓				
With guide unit U or H*		✓		✓	✓	✓

\* We recommend to use bracket for tube with cylinder with guide unit, to provide sensing in section, where the guide unit is mounted. The guide body inhibits using of bracket for tie rod / profile. On the other side, or in the area out of guide body, bracket for tie rod / profile can be used.

## Dimensions of series RZT7



## Dimensions of series MZT8

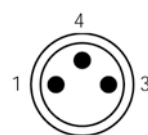
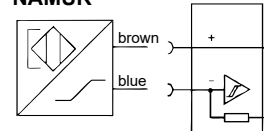


## Connection

reed, PNP, NPN



NAMUR



Wire colour	Pin	Assignment
brown	1	+V DC
black	4	NO
blue	3	-V DC

## Brackets for switches series RZT7, MZT8

Bracket for tie rod / profile



Order code	Ø tie rod / profile
2290 2010 0000 0000	5 to 18

Bracket for dovetail groove



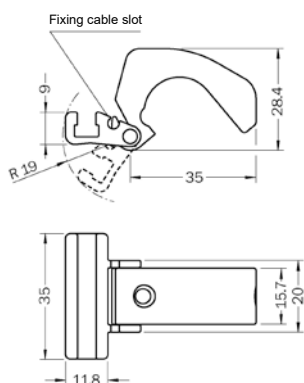
Order code	Profile
2290 2011 0000 0000	dovetail gr.

Bracket for round tube

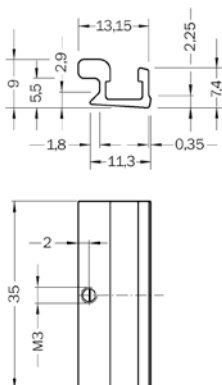


Order code	For cylinder
2290 2012 0000 0000	up to Ø25
2290 2013 0000 0000	up to Ø63
2290 2014 0000 0000	up to Ø125

suitable for cylinders with tie rods or profile tubes cylinders to ISO 6431, VDMA 24562 (except guide unit U or H) and CNOMO, tie rod diameter / profile width: 5 to 18 mm



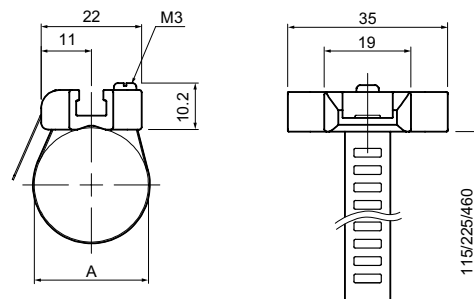
suitable for short stroke cylinders with dovetail groove



up to Ø25: suitable for cylinders with round tube (ISO 6432 and rotary actuators dia. 20-32) and cylinders to VDMA 24562 with guide unit U or H diameter 32

up to Ø63: suitable for cylinders with round tube (rotary actuator dia. 40) and cylinder to VDMA 24562 with guide unit U or H dia. 40 to 63

up to Ø125: suitable for cylinders with round tube and cylinders to VDMA 24562 with guide unit U or H dia. 80 to 125



## Cables with M8x1 connector

Description	Order codes - straight connector	Order codes - elbow connector
Connector only for cable max. 3x0,25 mm <sup>2</sup> , max. dia. 5,5 mm	2291 0001 0000 0000	2291 0002 0000 0000
PVC cable with connector 3x0,22 mm <sup>2</sup> , length 2m	2291 0010 0000 0000	2291 0015 0000 0000
PVC cable with connector 3x0,22 mm <sup>2</sup> , length 5m	2291 0011 0000 0000	2291 0016 0000 0000
PVC cable with connector 3x0,22 mm <sup>2</sup> , length 10m	2291 0012 0000 0000	2291 0017 0000 0000

# PROXIMITY SWITCHES SERIES SP2, SP4, SP5 AND SP6



This series of switches uses only reed relay. It necessary to select proper switch series for specific type of cylinder. SP2 switches are for pneumatic cylinders to DIN ISO 6431 (piston diameter 32 to 200 mm) and to VDMA 24562 (piston diameter 125 to 320 mm). Switches are fixed by M6 screws on tie rod dia. 4,5 - 12 mm. SP4 switches are for short stroke cylinders (piston diameter 20 to 100 mm). They are fixed so, that mounting strip (included in pack) and switch are inserted into groove side by side. Then switch is moved to required position and by the help of e.g. screwdriver the mounting strip is moved bellow switch, which will be fixed in position by tightening of screw. These switches can be used with cylinders with round tube; in this case carrier should be used (included in pack). SP5 and SP6 switches are for pneumatic cylinders to VDMA 24562 (piston diameter 32 to 100 mm). Switches are fixed by M5 screws on tube profile with width 10 to 16 mm.

## Technical data

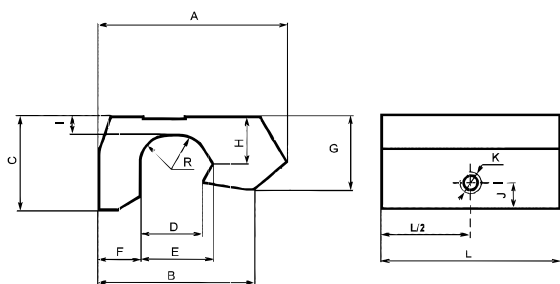
Description	Value
Enclosure rating to EN 60 529	IP 54 (SP2, SP5, SP6), IP56 (SP4)
Temperature range T <sub>a</sub> [°C]	-30 to +80
Housing material	aluminium (SP2, SP5, SP6) plastic (SP4)
Cable	Semoflex, 2 x 0,24 mm <sup>2</sup> , length 2m
Function indicator	LED (except 2201 0103 3000 2000)

## Order codes

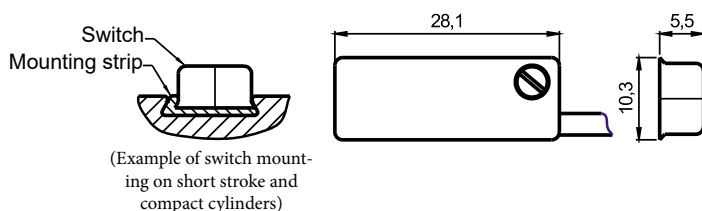
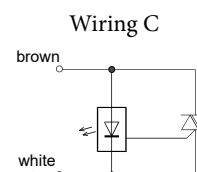
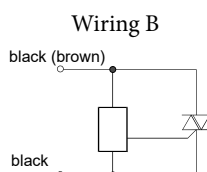
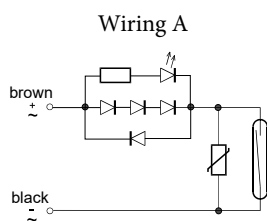
Type	DC voltage[V]	AC voltage [V]	Switched current [A]	Switched output [W / VA]	Wiring	Order codes
SP2	5 to 50	5 to 50	0,2	10	A	2201 0101 0210 2000
SP2	5 to 50	5 to 50	0,5	30	A	2201 0101 0510 2000
SP2	5 to 200	5 to 250	0,7	30	A	2201 0102 0710 2000
SP2	—	90 to 250	3,0	550	B	2201 0103 3000 2000
SP4	5 to 50	5 to 50	0,2	10	A	2201 0401 0210 2000
SP4	—	90 to 250	0,6	80	C	2201 0403 0610 2000
SP5	5 to 50	5 to 50	0,2	10	A	2201 0201 0210 2000
SP6	5 to 50	5 to 50	0,2	10	A	2201 0301 0210 2000

## How to fix switch on cylinder and which series for which cylinder type

Pneumatic cylinder type	Suitable switch			
	SP2	SP4	SP5	SP6
VDMA 24562, piston diameter 32 to 63 mm			✓	
VDMA 24562, piston diameter 80 and 100 mm				✓
VDMA 24562, piston diameter 125 to 320 mm	✓			
Compact		✓		
DIN ISO 6432, PDSW, anti-corrosive - hygienic clean		✓		
Short stroke, piston diameter 20 to 100 mm		✓		
Rotary actuator, piston diameter 20 to 40 mm		✓		
Rotary actuator, piston diameter 50 and more mm	✓			

**Dimensions of series SP2, SP5, SP6**


Type	Switched current [A]	A	B	C	D	E	F	G	H	I	J	K	L	R
SP2	0,2	36,5	30	17	12,3	14	7,5	14	9	3	7	M6	26	5
SP2	0,5 and 0,7	36,5	30	17	12,3	14	7,5	14	9	3	7	M6	36	5
SP2	3	36,5	30	17	12,3	14	7,5	14	9	3	7	M6	40	5
SP5	0,2	32	-	19	13	-	5	22	-	5	5	M5	26	7
SP6	0,2	35	-	25	16	-	5	27	-	6	5	M5	26	8

**Dimensions of series SP4**

**Connection**

**Rules for using with inductive load**

Parameters of SPx contacts are defined for using with ohmic load. When inductive load or load with inductive component is switched, these parameters (max. voltage) are exceeded. To secure proper function, the influence of overvoltage must be reduced by using of diode or RC circuit, overvoltage protection (varistor, transil) or their combination.

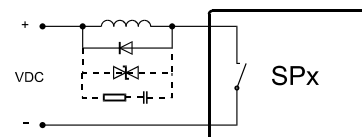
Max. allowed value of switched current and voltage are at least 50% lower, when inductive load is switched. When the values are near to max. allowed parameters, we recommend to check if  $U_{max}^2/R_{DC} < \text{max. allowed switching power}$ .  $R_{DC}$  is ohmic resistance of load measured by DC voltage,  $U_{max}$  is switching voltage amplitude.

**Contacts protecting when DC voltage is used:**

Parameters of protective elements:

DIODE must be projected for current passing the circuit and cut off voltage of diode must be twice to switching voltage.

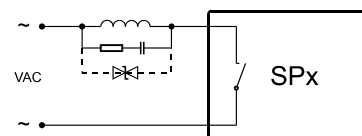
VARISTOR must be projected to 1,5 multiple of switched voltage.


**Contacts protecting when AC voltage is used:**

Parameters of protective elements:

CAPACITY of capacitor is recommended to 0,05 to 0,5  $\mu\text{F}$ , capacitor type MP for min. 3x  $U_{ef}$  switched voltage.

VARISTOR must be projected to 2,5 multiple of effective value of switched voltage.



# PROPORTIONAL POSITION SENSOR SERIES MPS WITH ANALOG OUTPUT



Proportional position sensor with analog output (current as well as voltage) is suitable for application, where it is necessary to know exact position of the piston. It is a contact sensor, which can be fixed into the T slot. It is a fully electronic sensor, which brings excellent properties, long lifetime and integrated protections. There are several types with various measuring range available for various cylinder strokes. If the cylinder stroke is smaller than measuring range, the starting and end position can be adjusted by user on the sensor.

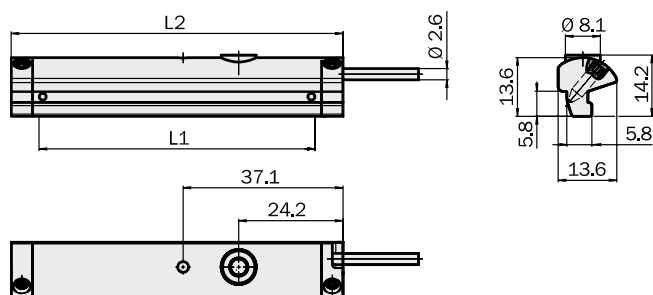
## Technical data

Description	Value
Supply voltage $U_b$ [V]	10 to 30 DC, $\pm 10\%$
Continuous current $I_a$ [mA]	25
Max. load resistance, current output [ $\Omega$ ]	500
Min. load resistance, voltage output [ $k\Omega$ ]	2
Temperature range $T_a$ [ $^{\circ}C$ ]	-20 to +70
Connection	PUR cable 2m or cable 0,3 m with M8x1 connector
Function indicator	LED
Overload and short-circuit protection, reverse polarity protection	

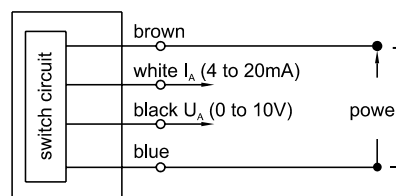
Description	Value
Sample time [ms]	1
Resolution typ. [mm]	0,05
Linearity typ. [mm]	0,3
Repeat accuracy typ. [mm]	0,1
Travel speed max. [m/s]	3
Analog output - current [mA]	4 to 20
- voltage [V]	0 to 10
Enclosure rating	IP 67
EMC	according to EN 60947-5-7
Housing material	PA reinforced

## Order codes, dimensions

Type	Measuring range L1 [mm]	L2	Order codes for switch with connection	
			cable 2m	cable 0,3 m with M8x1 connector
MPS	32	45	2210 9011 0010 2032	2210 9011 0015 0032
	64	77	2210 9011 0010 2064	2210 9011 0015 0064
	96	109	2210 9011 0010 2096	2210 9011 0015 0096
	128	141	2210 9011 0010 2128	2210 9011 0015 0128
	160	173	2210 9011 0010 2160	2210 9011 0015 0160
	192	205	2210 9011 0010 2192	2210 9011 0015 0192
	224	237	2210 9011 0010 2224	2210 9011 0015 0224
	256	269	2210 9011 0010 2256	2210 9011 0015 0256



## Connection



## How to fix switch on cylinder

Pneumatic cylinder type	Switch can be used
	directly
Compact, ISO 15552 (order code 10201...), short stroke $\varnothing 160$ and 250 mm	✓

## Cables with straight M8x1 connector

Description	Order codes
PVC cable with connector 4x0,22 mm <sup>2</sup> , length 2m	2291 0020 0000 0000
PVC cable with connector 4x0,22 mm <sup>2</sup> , length 5m	2291 0021 0000 0000
PVC cable with connector 4x0,22 mm <sup>2</sup> , length 10m	2291 0022 0000 0000



This proximity switch is designed for use in extreme temperature conditions. It can be placed and used in ambient temperatures from -40 to +150°C. This switch is suitable for use with cylinders to VDMA 24562 and DIN ISO 6431 when proper bracket is used. Switch is mounted to bracket with M3 screws (included in pack).

### Technical data

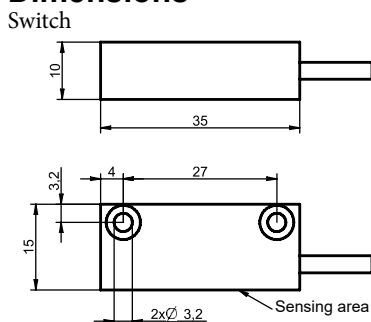
Description	Value
Supply voltage $U_b$ [V]	10 to 30 DC
Power consumption [mA]	20
Continuous current $I_a$ [mA]	100
Enclosure rating to EN 60 529	IP 68
Temperature range $T_a$ [°C]	-40 to +150
Housing material	dural
Cable	silicone, 3 x 0,22 mm <sup>2</sup> , length 2 m
Function indicator	none
Built-in reverse polarity protection, shock and vibration resistivity, switch hasn't built-in short circuit protection	

### Order codes

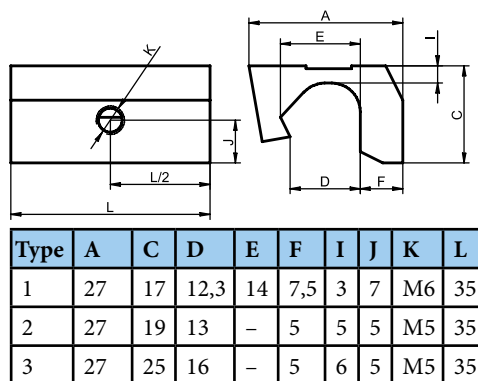
Type	Switching output	Max. switching frequency [Hz]	Sensitivity [mm]	Connection	Order codes
SP-472	PNP	10000	5 to 10	cable 2 m	2202 8012 5200 2000

Bracket for pneumatic cylinders	Bracket type	Order codes
VDMA 24562, piston diameter 32, 40, 125 to 320 mm	1	2290 8010 0000 0000
VDMA 24562, piston diameter 50 and 63 mm (with profile tube)	2	2290 8010 0050 0063
VDMA 24562, piston diameter 80 and 100 mm (with profile tube)	3	2290 8010 0080 0100
Compact, short stroke (piston diameter 20 to 80 mm)	4	2290 8011 0000 0001
Short stroke (piston diameter 100 mm)	4	2290 8011 0000 0002

### Dimensions

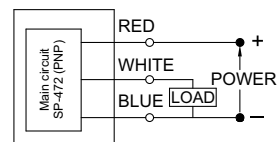


Bracket



**i** Please read carefully technical information on page 3-11.

### Connection



### How to fix switch on cylinder and which series for which cylinder type

Pneumatic cylinder type	Switch can be used with bracket			
	type 1	type 2	type 3	type 4
VDMA 24562, piston diameter 32, 40, 125 to 320 mm	✓			
VDMA 24562, piston diameter 50 and 63 mm		✓		
VDMA 24562, piston diameter 80 and 100 mm			✓	
Rotary actuator, piston diameter 50 and more mm	✓			
Compact, short stroke (piston diameter 20 to 100 mm)				✓





RPE and RNE series of electronic (PNP and NPN) proximity switches eliminates negative features of reed relays. Those switches are fully electronic, which brings excellent properties and long lifetime. We also offer reed switches, series RCE. All series switches can be used with cylinders series M\*.

## Technical data

Description	Value / Switch type		
	RCE (reed switch)	RPE (solid state switch, PNP)	RNE (solid state switch, NPN)
Supply voltage $U_b$ [V]	5 to 230 DC or AC	5 to 30 DC	5 to 30 DC
Max. switching power [W / VA]	10	1,5	1,5
Continuous current $I_a$ [mA]	$\leq 100$	$\leq 50$	$\leq 50$
Power consumption [mA] at 24V on-state	—	$\leq 12$	$\leq 10$
Voltage drop $U_d$ [V]	$\leq 2,5$	$\leq 1,5$	$\leq 0,5$
Leakage current [mA]	—	$\leq 0,01$	$\leq 0,01$
Enclosure rating	IEC 529 IP67		
Temperature range $T_a$ [°C]	-10 to +70		
Cable	2 wires, $\varnothing 2,8$ mm	3 wires, $\varnothing 3$ mm	3 wires, $\varnothing 3$ mm
Cable length	2 m or 0,15 m with M8x1 connector		
Housing material	plastic		
Integrated protection	—	power source reverse polarity, surge suppression	

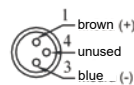
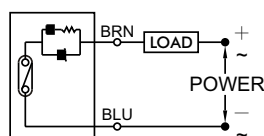
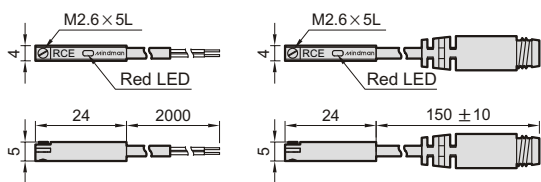
## Order codes

Type	Switching output	Max. response time [Hz]	Function indicator	Order codes for switch with connection	
				cable 2 m	cable 0,15 m with M8x1 connector
RCE	reed	1	red LED	PRCE	PRCE-QD
RPE	PNP	1	red LED	PRPE	PRPE-QD
RNE	NPN	1	green LED	PRNE	PRNE-QD

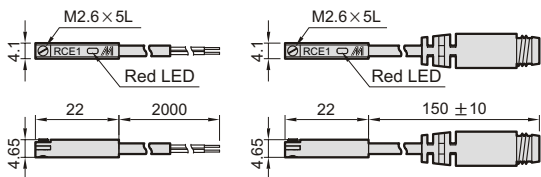


Please read carefully technical information on page 3-11.

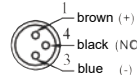
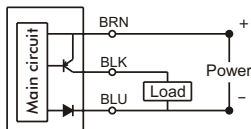
## Dimensions and connection of RCE type



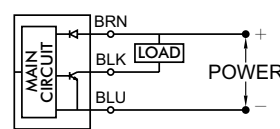
## Dimensions of RPE and RNE type



## Connection of RPE type



## Connection of RNE type



## How to fix switch on cylinder and which series for which cylinder type

Pneumatic cylinder type	Suitable switch with direct mounting
MCGS, MCGD, MCDA, MCSS, MSBD <sup>1)</sup> , MSBR <sup>2)</sup> , MSBS <sup>3)</sup> , MCHA, MCHB, MCRPMD	✓ RCE, ✓ RPE, ✓ RNE

- 1) Except piston diameter 50 mm - in this case please contact our technical dept.
- 2) Except piston diameter 20 mm - in this case please contact our technical dept.
- 3) Except piston diameter 20 and 50 mm - in this case please contact our technical dept.

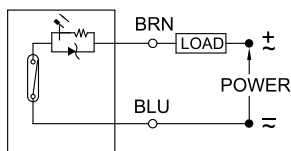


**Warning**

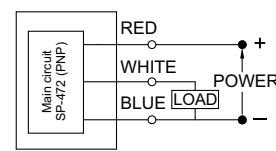
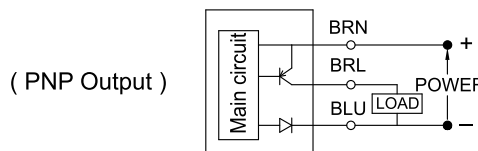
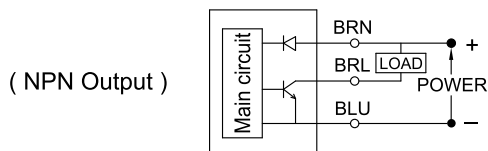
Do not exceed specification, permanent damage to the sensor may occur.

**Rules for using of proximity switches**

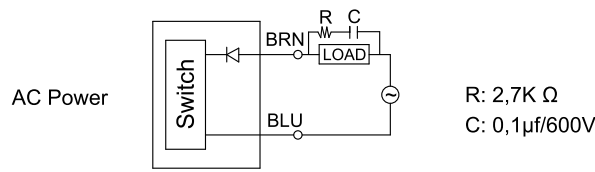
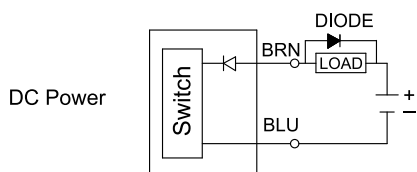
- For reed switch type sensors, polarity must also be observed for the proper functioning of LED. Connect the brown wire in series with load positive (+) and the blue wire to negative (-) of power source. If the polarity is reversed, reed switch remains functional but LED will remain in "OFF" state.



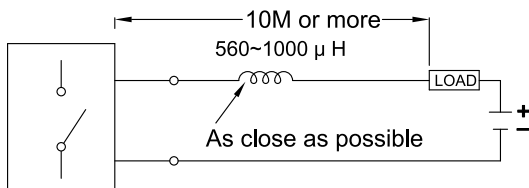
- For solid-state type sensors, polarity must also be observed. Connect brown (red for SP-472 switch) wire to the positive (+) and the blue to the negative (-) of DC power source. The black (white for SP-472 switch) wire must connect to the load only. If the black (white for SP-472 switch) wire is accidentally connected to the power source, permanent damage to the sensor may occur.

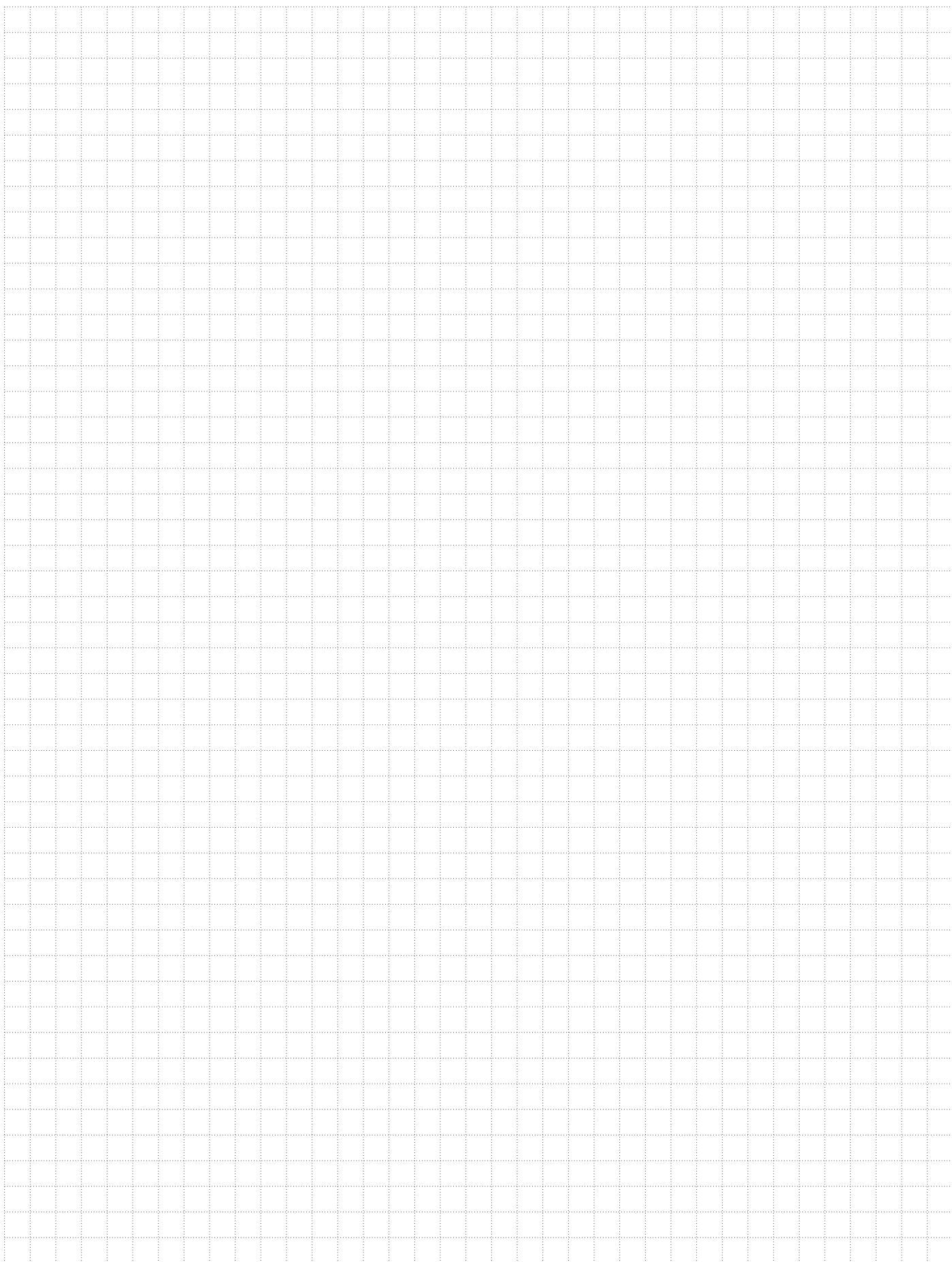
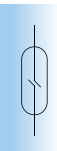




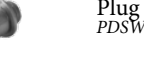
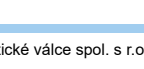
- An external protection circuit may be required if the reed switch is used with inductive load. For DC voltage, the diode must be connected, for AC voltage, the RC circuit must be connected as shown below.



- Keep sensors away from stray magnetic field to prevent malfunctions.
- When using reed switch with capacitive load or if the lead wire length exceed 10 meters, an inductor must be installed in series.



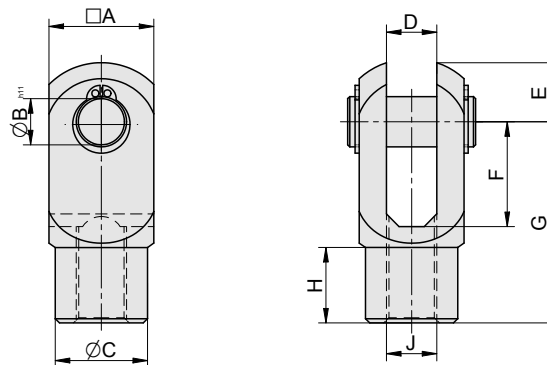


	Piston rod clevis .....	4-2		Piston rod clevis .....	4-13
	Flanged piston rod coupling .....	4-2		Piston rod eye .....	4-13
	Piston rod eye .....	4-3		Piston rod eye .....	4-13
	Self-aligning piston rod coupling .....	4-3		Front cap nut .....	4-13
	Foot mounting for cylinder .....	4-4		Front cap nut .....	4-13
	ISO 15552, VDMA 24562   DIN ISO 6431, VDMA 24562   compact			Foot mounting .....	4-14
	DIN ISO 6431, VDMA 24562 double piston rod	4-4		Foot mounting .....	4-14
	Foot mounting for cylinder .....	4-5		Swivel flange with spherical bearing .....	4-14
	Foot mounting for cylinder .....	4-5		Swivel flange with spherical bearing .....	4-14
	Foot mounting for cylinder .....	4-5		Narrow swivel flange .....	4-14
	Clevis foot mounting for cylinder .....	4-5		Narrow swivel flange .....	4-14
	Clevis foot mounting for cylinder .....	4-5		Swivel flange for cylinder .....	4-15
	ISO 15552, VDMA 24562   DIN ISO 6431, VDMA 24562   compact	4-6		Swivel flange for cylinder .....	4-15
	Flange mounting for cylinder .....	4-6		Mounting plate for rodless cylinder .....	4-15
	Flange mounting for cylinder .....	4-6		Mounting plate for rodless cylinder .....	4-15
	Flange mounting for cylinder .....	4-7		Foot mounting for rodless cylinder .....	4-16
	ISO 15552, VDMA 24562   DIN ISO 6431, VDMA 24562   compact	4-7		Foot mounting for rodless cylinder .....	4-16
	Swivel flange for cylinder .....	4-7		Floating flange for rodless cylinder .....	4-16
	Swivel flange for cylinder .....	4-8		Floating flange for rodless cylinder .....	4-16
	ISO 15552, VDMA 24562   DIN ISO 6431, VDMA 24562   compact	4-8		Connections for rodless cylinder .....	4-17
	Clevis foot mounting for cylinder .....	4-8		Connections for rodless cylinder .....	4-17
	ISO 15552, VDMA 24562   DIN ISO 6431, VDMA 24562   compact	4-9		Guide unit H with ball bearings for cylinder .....	4-18
	Narrow swivel flange for cylinder .....	4-9		Guide unit H with ball bearings for cylinder .....	4-18
	ISO 15552, VDMA 24562   DIN ISO 6431, VDMA 24562   compact	4-9		Guide unit U with slide bearings for cylinder .....	4-20
	Rectangular swivel flange for cylinder .....	4-9		Guide unit U with slide bearings for cylinder .....	4-20
	ISO 15552, VDMA 24562   DIN ISO 6431, VDMA 24562   compact	4-10		Valve bracket .....	4-22
	Swivel flange with spherical bearing for cylinder .....	4-10		Valve bracket .....	4-22
	Pivot pin for cylinder .....	4-10		Boxer flange mounting for cylinder .....	4-22
	Pivot pin for cylinder .....	4-11		Boxer flange mounting for cylinder .....	4-22
	Pivot pin for cylinder .....	4-11		Piston rod protection cover .....	4-23
	Pivot pin for cylinder .....	4-11		Piston rod protection cover .....	4-23
	Pivot pin for cylinder .....	4-11		Foot mounting for cylinder .....	4-23
	ISO 15552, VDMA 24562   DIN ISO 6431, VDMA 24562   compact	4-12		Foot mounting for cylinder .....	4-23
	Pivot pin to front/end cap for cylinder .....	4-12		Clevis foot mounting for cylinder .....	4-23
	ISO 15552, VDMA 24562   DIN ISO 6431, VDMA 24562   compact	4-12		Clevis foot mounting for cylinder .....	4-23
	Trunnion mounting .....	4-12		Plug bolt for cylinder .....	4-24
	Trunnion mounting .....	4-12		Plug bolt for cylinder .....	4-24



## PISTON ROD CLEVIS

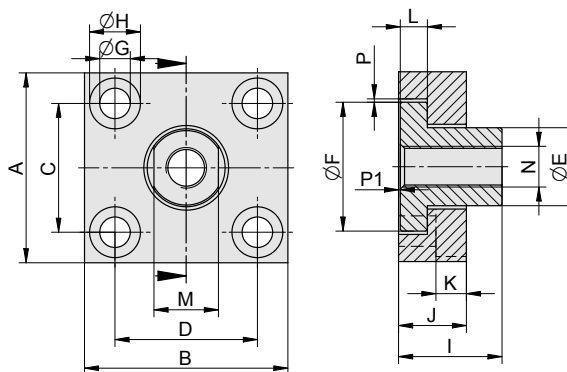
Supply contain:  
 1 pc clevis  
 1 pcs pivot pin  
 2 pcs retaining ring



Piston $\varnothing$	A	B	C	D	E	F	G	H	J	Weight	Order codes
12 / 16	12	6	10	6	7,6	12	24	10	M6	0,005	2110 0100 0012 0000
20	16	8	14	8	10	16	32	14	M8	0,02	2110 0100 0020 0000
25 / 32	20	10	18	10	12,6	22	40	13	M10x1,25	0,06	2110 0100 0025 0000
40	25	12	22	12	14	25	48	18	M12x1,25	0,12	2101 0100 0040 0000
50 / 63	28	16	26	16	14	32	64	23	M16x1,5	0,16	2101 0100 0050 0000
80 / 100	35	20	34	20	18	45	80	23,5	M20x1,5	0,36	2101 0100 0080 0000
125	55	30	48	30	38	60	110	40	M27x2	1,56	2101 0100 0125 0000
160 / 200	70	35	60	35	57	85	144	45	M36x2	3,60	2101 0100 0160 0000
250	85	40	70	40	64	84	168	65	M42x2	6,32	2101 0100 0250 0000
320	96	50	80	50	73	96	192	70	M48x2	6,86	2101 0100 0320 0000

## FLANGED PISTON ROD COUPLING

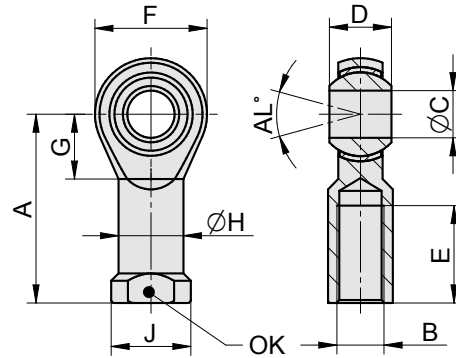
Supply contain:  
 1 pc flange



Piston $\varnothing$	A	B	C	D	E	F	G	H	I	J	K	L	M	N	P	P1	Weight	Order codes
12 / 16	30	25	20	15	12	18	5,5	-	16	8	-	3,5	10	M6	1	0,5	0,02	2110 0300 0012 0000
20	35	30	25	20	14	20	5,5	-	22	8	-	3,5	13	M8	1	0,5	0,04	2110 0300 0020 0000
25 / 32	60	37	36	23	20	30	6,4	11	24	15	7	7	17	M10x1,25	1	0,5	0,20	2110 0300 0025 0000
40	60	56	42	38	25	40	9	15	30	20	9	8	19	M12x1,25	1	0,5	0,44	2101 0300 0040 0000
50 / 63	80	80	58	58	30	50	11	18	32	20	11	9	24	M16x1,5	1	0,5	0,84	2101 0300 0050 0000
80 / 100	90	90	65	65	40	60	14	20	35	20	13	10	36	M20x1,5	1	0,5	1,10	2101 0300 0080 0000
125	90	90	65	65	40	60	14	20	35	20	13	10	36	M27x2	1	0,5	1,06	2101 0300 0125 0000
160 / 200	120	120	80	80	50	70	17	26	42	20	14	12	46	M36x2	1	0,5	1,98	2101 0300 0160 0000

## PISTON ROD EYE

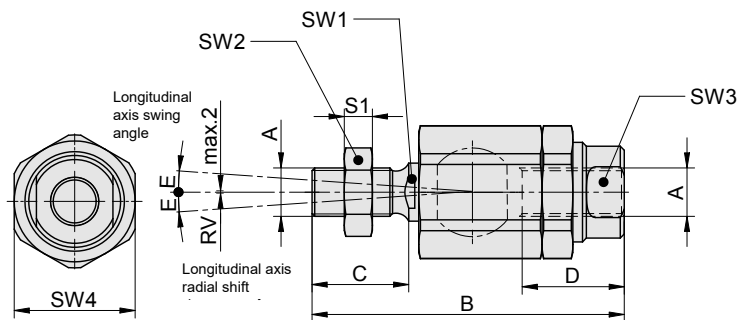
Supply contain:  
1 pc eye



Piston Ø	A	B	C	D	E	F	G	H	J	OK	AL	Weight	Order codes
12 / 16	31	M6	6	9	12	18	9	10	13	11	35	0,02	2101 0200 0012 0000
20	36	M8	8	12	14	24	13	13	16	13	30	0,01	2101 0200 0020 0000
20	36	M8	8	8	14	26	13	13	16	14	30	0,02	2110 0200 0020 0000
25	42	M10x1,25	10	9	16	28	15	14	16	14	24	0,06	2110 0200 0025 0000
32	43	M10x1,25	10	14	20	30	15	15	19	16	24	0,04	2101 0200 0025 0000
40	50	M12x1,25	12	16	22	34	17	17	21	18	22	0,10	2101 0200 0040 0000
50 / 63	64	M16x1,5	16	21	28	40	22	21	27	22	15	0,14	2101 0200 0050 0000
80 / 100	77	M20x1,5	20	25	33	51	27	28	34	30	18	0,38	2101 0200 0080 0000
125	110	M27x2	30	37	42	70	36	38	50	41	12	1,40	2101 0200 0125 0000
160 / 200	125	M36x2	35	43	56	100	44	52	60	55	16	1,74	2101 0200 0160 0000
250	142	M42x2	40	49	60	110	46	60	73	65	14	3,32	2101 0200 0250 0000
320	160	M48x2	50	60	68	128	59	65	75	66	12	5,50	2101 0200 0320 0000

## SELF-ALIGNING PISTON ROD COUPLING

Supply contain:  
1 pc coupling

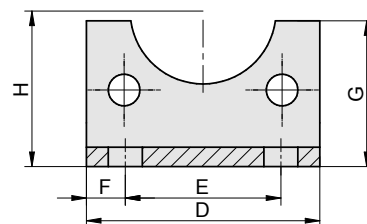
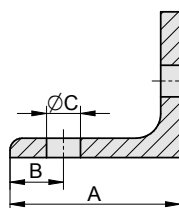
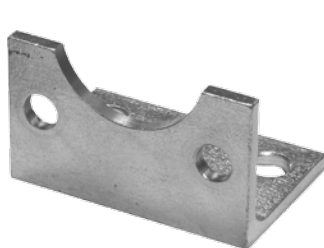


Piston Ø	A	B	C	D	E	S1	SW1	SW2	SW3	SW4	RV	Weight	Order codes
8 / 10	M4	33	8	13	4	2,2	3,2	7	7	11	0,5	0,015	2110 0400 0008 0000
12 / 16	M6	37	12	14	4	3,2	5	10	7	13	0,5	0,02	2110 0400 0012 0000
20	M8	42,5	15	18	4	4	7	13	10	17	0,5	0,06	2110 0400 0020 0000
25 / 32	M10x1,25	69,5	20	26	5	6	12	17	19	30	0,7	0,21	2110 0400 0025 0000
40	M12x1,25	74,5	24	26	5	7	12	19	19	30	0,7	0,22	2110 0400 0040 0000
50 / 63	M16x1,5	103	32	34	5	8	19	24	30	41	1,0	0,65	2110 0400 0050 0000
80 / 100	M20x1,5	120	40	42	5	9	19	30	30	41	1,0	0,72	2110 0400 0080 0000
125	M27x2	157	54	48	5	13	24	41	32	55	2,0	1,78	2110 0400 0125 0000
160 / 200	M36x2	251	72	80	4	18	32	50	50	75	2,0	5,2	2110 0400 0160 0000
250	M42x2	271	82	88	4	14	40	65	60	85	2,0	8,7	2110 0400 0250 0000

## FOOT MOUNTING FOR CYLINDER

- ISO 1552, VDMA 24562, NF E 49003.1
- DIN ISO 6431, VDMA 24562, NF E 49003.1
- COMPACT

Supply contain:  
1 pc foot mounting  
2 pcs screws

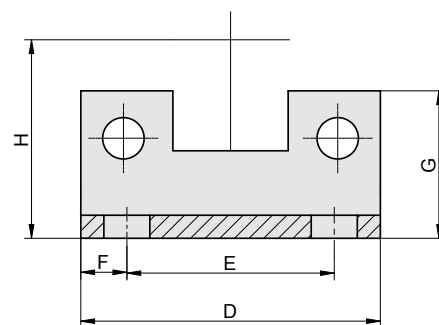
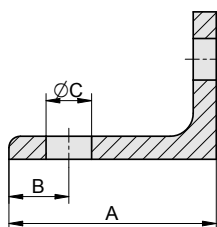
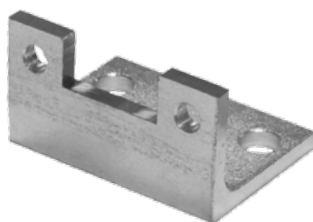


Piston $\varnothing$	A	B	C	D	E	F	G	H	Weight	Order codes
32	35	11	7	48	32	5	30	32	0,08	2101 2100 0032 0000
40	40	12	10	55	36	9,5	32	36	0,12	2101 2100 0040 0000
50	45	13	10	65	45	10	40	45	0,16	2101 2100 0050 0000
63	45	13	10	75	50	12,5	40	50	0,22	2101 2100 0063 0000
80	60	19	12	95	63	16	60	63	0,50	2101 2100 0080 0000
100	60	19	12	115	75	20	60	71	0,54	2101 2100 0100 0000
125	70	30	16,5	140	90	25	70	90	1,22	2101 2100 0125 0000
160	85	25	18,5	185	115	35	90	115	2,55	2101 2100 0160 0000
200	105	35	24	235	135	50	120	135	4,68	2101 2100 0200 0000
250	115	40	28	270	165	52,5	150	165	10,84	2101 2100 0250 0000
320	130	45	35	350	200	75	170	200	14,75	2101 2100 0320 0000

## FOOT MOUNTING FOR FRONT CAP OF CYLINDER

- DIN ISO 6431, VDMA 24562 WITH DOUBLE PISTON ROD

Supply contain:  
1 pc foot mounting  
2 pcs screws

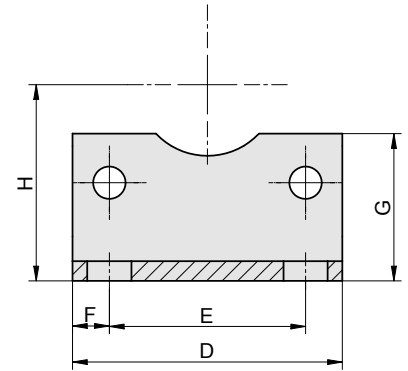
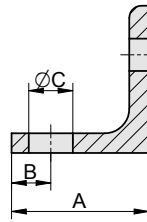


Piston $\varnothing$	A	B	C	D	E	F	G	H	Weight	Order codes
32	35	11	7	48	32	5	23,5	32	0,08	2101 2200 0032 0000
40	40	12	10	55	36	9,5	25,5	36	0,12	2101 2200 0040 0000
50	45	13	10	65	45	10	32	45	0,16	2101 2200 0050 0000
63	45	13	10	75	50	12,5	35	50	0,22	2101 2200 0063 0000
80	60	19	12	95	63	16	42	63	0,50	2101 2200 0080 0000
100	60	19	12	115	75	20	45	71	0,54	2101 2200 0100 0000

Note: There is necessary to use standard foot mounting for cylinders DIN ISO 6431, VDMA 24562 (order code 2101 2100 0xxx 0000) when mounting on end cap.

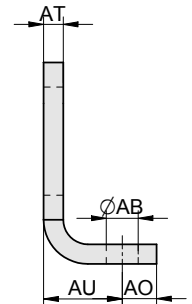
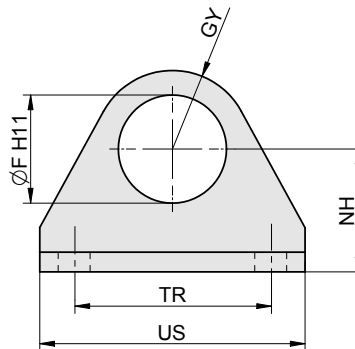


**FOOT MOUNTING FOR CYLINDER**
**• SHORT STROKE**

 Supply contain:  
 1 pc foot mounting  
 2 pcs screws


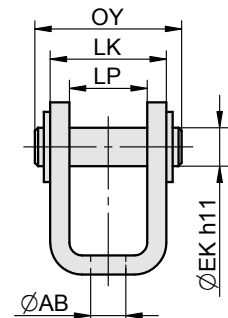
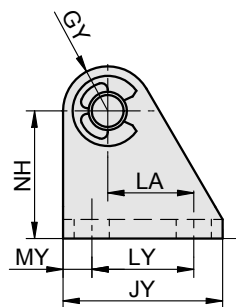
Piston Ø	A	B	C	D	E	F	G	H	Weight	Order codes
20	22	6	6,6	32	22	5	25	27	0,04	2125 2100 0020 0000
25	22	6	6,6	39	28	5,5	25	29	0,04	2125 2100 0025 0000
32	26	8	6,6	48	36	6	30	34	0,08	2125 2100 0032 0000
40	28	8	9	55	40	7,5	30	40	0,08	2125 2100 0040 0000
50	32	8	9	65	50	7,5	40	47	0,14	2125 2100 0050 0000
63	38	12	9	80	62	9	45	56	0,22	2125 2100 0063 0000
80	42	12	12	100	82	9	55	68	0,40	2125 2100 0080 0000
100	45	12	14	124	103	10,5	60	81	0,68	2125 2100 0100 0000

**FOOT MOUNTING FOR CYLINDER**
**• DIN ISO 6432**

 Supply contain:  
 1 pc foot mounting


Piston Ø	AB	AO	AT	AU	F	GY	NH	TR	US	Weight	Order codes
12 / 16	5,5	6	3	13	16	12	20	32	44	0,04	2110 2100 0012 0000
20 / 25	6,5	7	4	16	22	16	25	40	54	0,10	2110 2100 0020 0000

**CLEVIS FOOT MOUNTING FOR CYLINDER**
**• DIN ISO 6432**

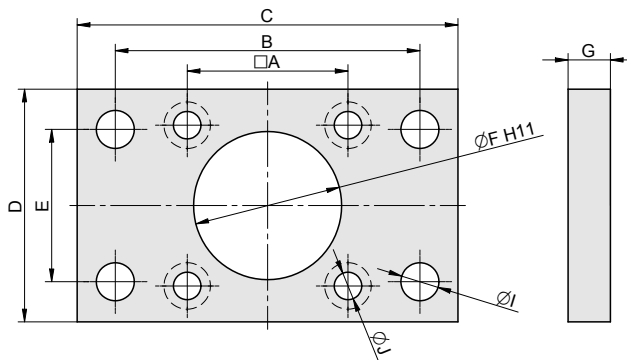
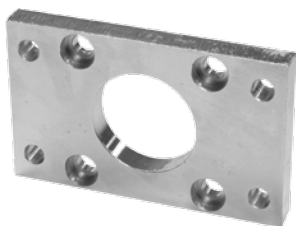
 Supply contain:  
 1 pc clevis  
 1 pc pivot pin  
 2 pcs retaining ring


Piston Ø	AB	EK	GY	JY	LA	LK	LP	LY	MY	NH	OY	Weight	Order codes
12 / 16	5,5	6	7	25	13,5	18,2	12,2	16	4,5	20	23	0,02	2110 3000 0012 0000
20 / 25	6,5	8	10	32	16	22,2	16,2	20	6	25	30	0,02	2110 3000 0020 0000

## FLANGE MOUNTING FOR CYLINDER

- ISO 15552, VDMA 24562, NF E 49003.1
- DIN ISO 6431, VDMA 24562, NF E 49003.1
- COMPACT

Supply contain:  
1 pc flange mounting  
4 pcs screws

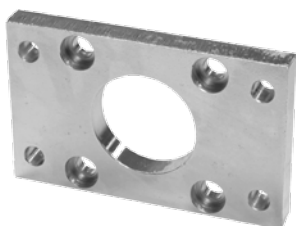


Piston $\Phi$	A	B	C	D	E	F	G	I	J	Weight	Order codes
32	32,5	64	80	50	32	30	10	7	6,5	0,24	2101 2000 0032 0000
40	38	72	90	55	36	35	10	9	6,5	0,28	2101 2000 0040 0000
50	46,5	90	110	70	45	40	12	9	9	0,56	2101 2000 0050 0000
63	56,5	100	120	75	50	45	12	9	9	0,64	2101 2000 0063 0000
80	72	126	153	100	63	45	16	12	11	1,60	2101 2000 0080 0000
100	89	150	178	115	75	55	16	14	11	2,18	2101 2000 0100 0000
125	110	180	220	140	90	60	20	16	14	4,16	2101 2000 0125 0000
160	140	230	260	190	115	65	20	18	18	7,06	2101 2000 0160 0000
200	175	270	312	220	135	75	25	22	18	12,20	2101 2000 0200 0000
250	220	330	380	270	165	90	25	26	22	18,48	2101 2000 0250 0000
320	270	400	460	340	200	110	30	33	26	32,90	2101 2000 0320 0000

## FLANGE MOUNTING FOR CYLINDER

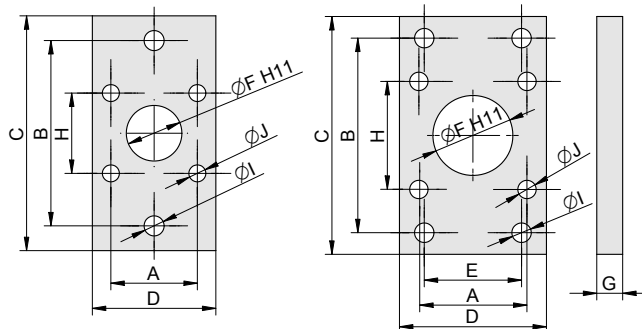
- SHORT STROKE

Supply contain:  
1 pc flange mounting  
4 pcs screws



For piston dia. 20 and 25

For piston dia. 32 to 100

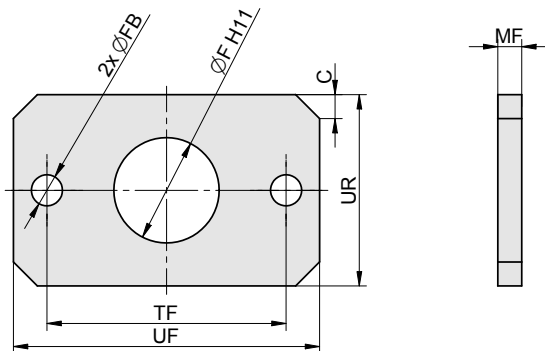
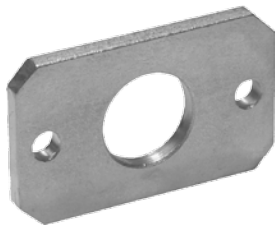


Piston $\Phi$	A	B	C	D	E	F	G	H	I	J	Weight	Order codes
20	22	55	70	36	-	13	10	22	6,6	5,5	0,16	2125 2000 0020 0000
25	28	60	76	40	-	18	10	26	6,6	5,5	0,18	2125 2000 0025 0000
32	36	65	80	50	32	22	10	32	7	6,5	0,22	2125 2000 0032 0000
40	40	82	102	60	36	29	10	40	9	6,5	0,36	2125 2000 0040 0000
50	50	90	110	68	45	37	12	50	9	8,5	0,56	2125 2000 0050 0000
63	62	110	130	87	50	49	16	62	9	10,5	1,08	2125 2000 0063 0000
80	82	135	160	107	63	55	16	82	12	10,5	1,76	2125 2000 0080 0000
100	103	163	190	130	75	61	16	103	13	13	2,68	2125 2000 0100 0000

## FLANGE MOUNTING FOR CYLINDER

• DIN ISO 6432

Supply contain:  
1 pc flange mounting

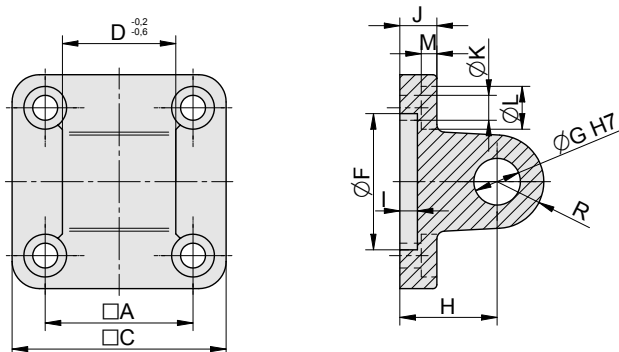


Piston Ø	C	F	FB	MF	TF	UF	UR	Weight	Order codes
12 / 16	5	16	5,5	4	40	52	28	0,04	2110 2000 0012 0000
20 / 25	5	22	6,5	5	50	64	38	0,12	2110 2000 0020 0000

## SWIVEL FLANGE FOR CYLINDER

• ISO 15552, VDMA 24562, NF E 49003.1  
• DIN ISO 6431, VDMA 24562, NF E 49003.1  
• COMPACT

Supply contain:  
1 pc swivel flange  
4 pcs screws

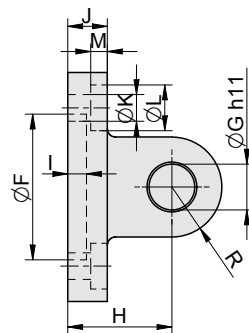
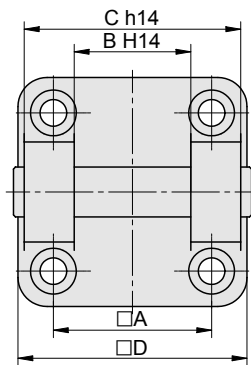


Piston Ø	A	C	D	F	G	H	I	J	K	L	M	R	Weight	Order codes
32	32,5	48	26	30	10	22	4,5	9	6,4	11	3,5	10	0,08	2101 3300 0032 0000
40	38	55	28	35	12	25	4,5	9,5	6,4	11	4	12	0,11	2101 3300 0040 0000
50	46,5	65	32	40	12	27	5	11	9	15	4,5	12	0,18	2101 3300 0050 0000
63	56,5	75	40	45	16	32	5	11	9	15	4,5	16	0,30	2101 3300 0063 0000
80	72	95	50	45	16	36	5	15	11	18	5	16	1,30	2101 3300 0080 0000
100	89	115	60	55	20	41	5	15	11	18	5	20	2,20	2101 3300 0100 0000
125	110	140	70	60	25	50	7	19	14	20	9	25	3,90	2101 3300 0125 0000
160	140	185	90	65	30	55	7	19	18	26	9	30	7,00	2101 3300 0160 0000
200	175	235	90	75	30	60	7	24	18	26	13	30	12,20	2101 3300 0200 0000
250	220	270	110	90	40	70	12	25	22	34	14	40	15,10	2101 3300 0250 0000
320	270	350	120	110	45	80	12	30	26	46	15	45	33,00	2101 3300 0320 0000

### SWIVEL FLANGE FOR CYLINDER

- ISO 15552, VDMA 24562, NF E 49003.1
- DIN ISO 6431, VDMA 24562, NF E 49003.1
- COMPACT

Supply contain:  
 1 pc flange  
 1 pc pivot pin  
 2 pcs retaining ring  
 4 pcs screw

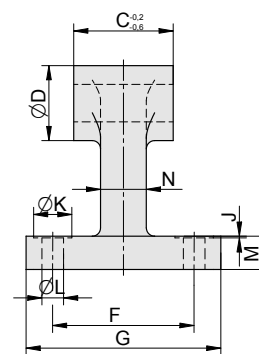
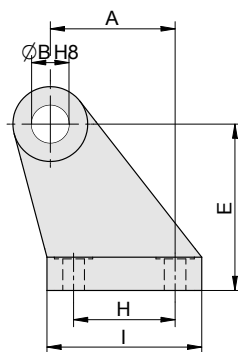


Piston Ø	A	B	C	D	F	G	H	I	J	K	L	M	R	Weight	Order codes
32	32,5	26	45	48	30	10	22	4,5	6	6,6	-	-	8,5	0,10	2101 3000 0032 0000
40	38	28	52	55	35	12	25	4,5	6	6,6	-	-	10	0,16	2101 3000 0040 0000
50	46,5	32	60	65	40	12	27	4,3	6,5	9,2	-	-	10	0,26	2101 3000 0050 0000
63	56,5	40	70	75	45	16	32	4,5	6,5	9,2	-	-	12	0,38	2101 3000 0063 0000
80	72	50	90	95	45	16	36	-	11	11	-	-	13	0,72	2101 3000 0080 0000
100	89	60	110	115	55	20	41	-	10	11,2	-	-	16	1,06	2101 3000 0100 0000
125	110	70	130	140	60	25	50	7	19	14	20	9	25	3,90	2101 3000 0125 0000
160	140	90	170	185	65	30	55	7	20	18	26	10	30	7,44	2101 3000 0160 0000
200	175	90	170	235	75	30	60	7	24	18	26	13	30	12,08	2101 3000 0200 0000
250	220	110	200	270	90	40	70	11	25	22	34	14	40	17,55	2101 3000 0250 0000
320	270	120	220	350	110	45	80	11	30	26	46	15	45	31,60	2101 3000 0320 0000

### CLEVIS FOOT MOUNTING FOR CYLINDER

- ISO 15552, VDMA 24562, NF E 49003.1
- DIN ISO 6431, VDMA 24562, NF E 49003.1
- COMPACT

Supply contain:  
 1 pc clevis

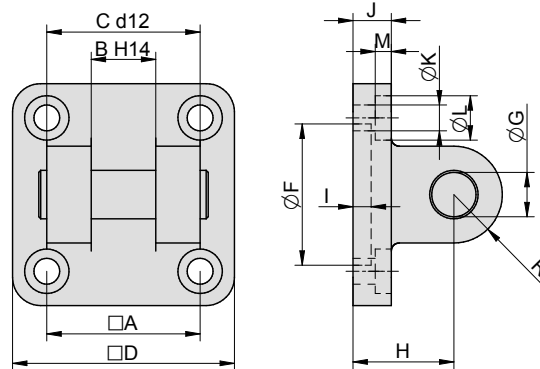
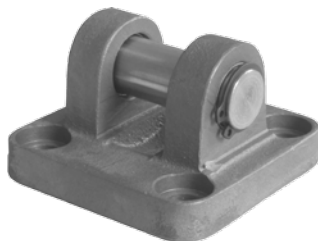


Piston Ø	A	B	C	D	E	F	G	H	I	J	K	L	M	N	Weight	Order codes
32	21	10	26	20	32	38	51	18	31	1	11	6,4	8	10	0,11	2101 3100 0032 0000
40	24	12	28	23	36	41	54	22	35	1	11	6,4	10	12	0,09	2101 3100 0040 0000
50	33	12	31,8	20	45	50	65	30	45	-	-	9	12	15	0,20	2101 3100 0050 0000
63	37	16	39,8	24	50	52	67	35	50	-	-	9,2	12	15	0,28	2101 3100 0063 0000
80	47	16	49,8	26	63	66	86	40	60	-	-	11	14	20	0,47	2101 3100 0080 0000
100	55	20	59,8	32	71	76	93	50	67	-	-	11	15	20	0,60	2101 3100 0100 0000
125	70	25	69,6	50	90	94	124	60	90	3	20	14	20	28	1,10	2101 3100 0125 0000
160	97	30	89,5	60	115	118	156	88	126	4	20	14	25	35	5,20	2101 3100 0160 0000
200	105	30	89,5	60	135	122	162	90	130	2	26	18	30	38	7,60	2101 3100 0200 0000
250	128	40	108,5	80	165	150	200	110	160	4	34	22	35	45	16,20	2101 3100 0250 0000
320	150	45	119,5	90	200	170	234	122	186	2	46	26	40	55	25,34	2101 3100 0320 0000

## NARROW SWIVEL FLANGE FOR CYLINDER

- ISO 15552, VDMA 24562, NF E 49003.1
- DIN ISO 6431, VDMA 24562, NF E 49003.1
- COMPACT

Supply contain:  
 1 pc flange  
 1 pc pivot pin  
 2 pcs retaining ring  
 4 pcs screw

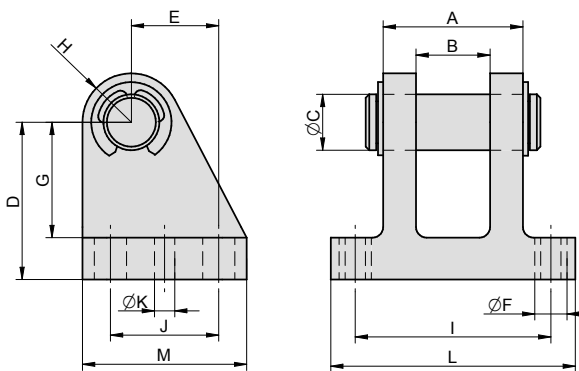


Piston $\varnothing$	A	B	C	D	F	G	H	I	J	K	L	M	R	Weight	Order codes
32	32,5	14	34	48	30	10	22	4,5	9	6,6	11	3,5	10	0,05	2101 3400 0032 0000
40	38	16	40	55	35	12	25	4,5	9,5	6,6	11	4	12	0,08	2101 3400 0040 0000
50	46,5	21	45	65	40	16	27	5	11	9,2	15	4,5	14	0,12	2101 3400 0050 0000
63	56,5	21	51	75	45	16	32	4,5	11	9,2	15	4,5	16	0,20	2101 3400 0063 0000
80	72	25	65	95	45	20	36	5	15	11	18	5	20	0,41	2101 3400 0080 0000
100	89	25	75	115	55	20	41	5	15	11,2	18	5	20	0,66	2101 3400 0100 0000
125	110	37	97	140	60	30	50	7	19	14	20	9	28	1,22	2101 3400 0125 0000
160	140	43	122	185	65	35	55	7	19	18	26	9	33	6,68	2101 3400 0160 0000
200	175	43	122	235	75	35	60	7	24	18	26	11	35	12,08	2101 3400 0200 0000
250	220	49	125	270	90	40	70	12	25	22	34	14	40	17,55	2101 3400 0250 0000
320	270	60	150	350	110	50	80	12	30	26	46	15	46	30,80	2101 3400 0320 0000

## RECTANGULAR SWIVEL FLANGE FOR CYLINDER

- ISO 15552, VDMA 24562, NF E 49003.1
- DIN ISO 6431, VDMA 24562, NF E 49003.1
- COMPACT

Supply contain:  
 1 pc flange  
 1 pc pivot pin  
 2 pcs retaining ring



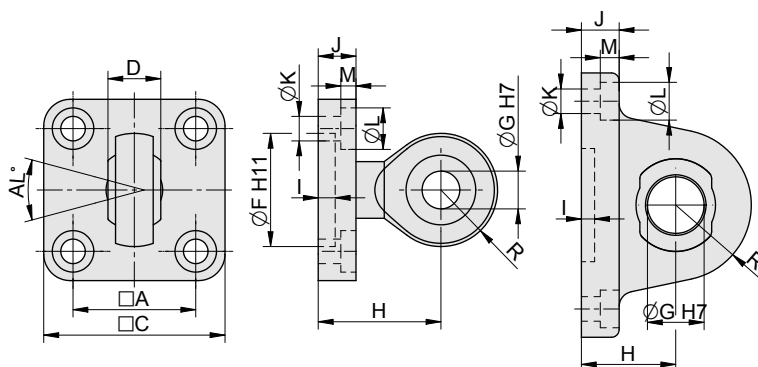
Piston $\varnothing$	A	B	C	D	E	F	G	H	I	J	K	L	M	Weight	Order codes
32	28	14	10	32	16	6,8	24	12	42	20	4,8	56	36	0,22	2101 3500 0032 0000
40	30	16	12	36	20	6,8	26	14	44	26	5,8	58	41	0,30	2101 3500 0040 0000
50	40	21	16	45	25	9,2	33	14	56	31	5,8	70	47	0,48	2101 3500 0050 0000
63	40	21	16	50	25	9	38	14	56	31	7,8	70	47	0,58	2101 3500 0063 0000
80	50	25	20	63	30	11	49	18	70	36	7,8	89	57	1,05	2101 3500 0080 0000
100	50	25	20	71	41	11	56	22	70	46	9,8	89	67	1,38	2101 3500 0100 0000

## SWIVEL FLANGE WITH SPHERICAL BEARING

- ISO 15552, VDMA 24562, NF E 49003.1
- DIN ISO 6431, VDMA 24562, NF E 49003.1
- COMPACT

Supply contain:

- 1 pc flange
- 4 pcs screws



Flange design for piston dia 125 and more

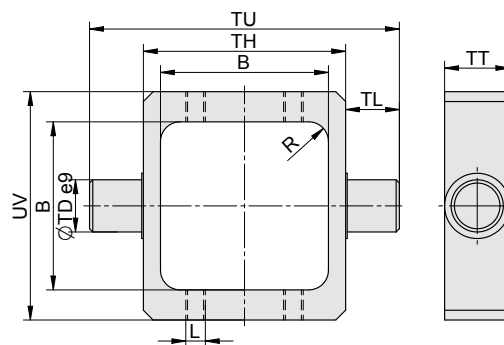
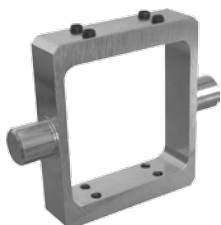
Piston $\varnothing$	A	AL	C	D	F	G	H	I	J	K	L	M	R	Weight	Order codes
32	32,5	15	48	14	30	10	32,5	4,5	10	6,4	11	4	14	0,20	2101 3200 0032 0000
40	38	15	55	16	35	12	32,5	4,5	10	6,4	11	4	17	0,26	2101 3200 0040 0000
50	46,5	15	65	21	40	16	40	6,5	12	8,5	15	8	21,5	0,44	2101 3200 0050 0000
63	56,5	15	75	21	45	16	40	6,5	12	8,5	15	8	21,5	0,56	2101 3200 0063 0000
80	72	18	94	25	45	20	49	5,5	14	10,5	18	8	25	1,16	2101 3200 0080 0000
100	89	18	115	25	55	20	49	5,5	14	10,5	18	8	25	1,54	2101 3200 0100 0000
125	110	15	140	37	60	30	50	7	20	13	20	10	40	3,46	2101 3200 0125 0000
160	140	16	185	43	65	35	55	7	20	18	26	10	46	5,60	2101 3200 0160 0000
200	175	16	235	43	75	35	60	7	24	18	26	10	47	10,72	2101 3200 0200 0000
250	220	16	270	49	90	40	70	12	24	22	34	13	56	14,80	2101 3200 0250 0000
320	270	16	350	60	110	50	80	12	30	26	46	15	64	28,94	2101 3200 0320 0000

## PIVOT PIN FOR CYLINDER

- ISO 15552, VDMA 24562, NF E 49003.1

Supply contain:

- 1 pc pivot pin
- 8 pcs screws

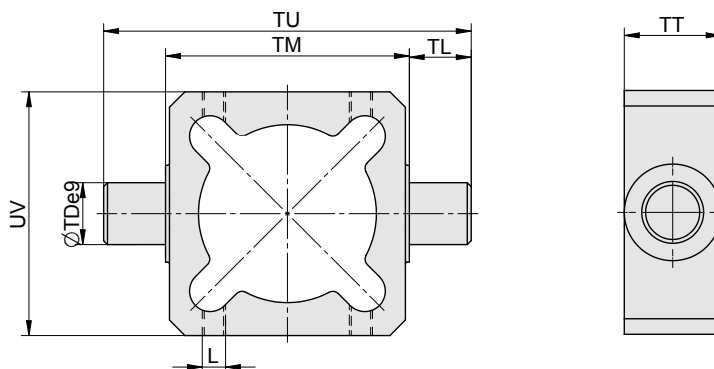
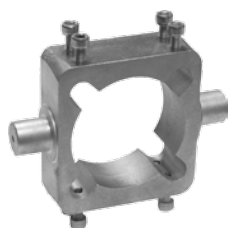


Piston $\varnothing$	L	TD	TL	TH	TT	TU	UV	B	R	Weight	Order codes
32	M6	12	12	50	20	74	65	44,5	5	0,20	2102 4100 0032 0000
40	M6	16	16	63	20	95	70	51,5	6	0,31	2102 4100 0040 0000
50	M6	16	16	75	20	107	85	64,5	6	0,37	2102 4100 0050 0000
63	M6	20	20	90	25	130	95	75,5	8	0,61	2102 4100 0063 0000
80	M8	20	20	110	25	150	120	94	10	0,90	2102 4100 0080 0000
100	M8	25	25	132	30	182	130	112	10	1,63	2102 4100 0100 0000

## PIVOT PIN FOR CYLINDER

• DIN ISO 6431, VDMA 24562, NF E 49003.1

Supply contain:  
1 pc pivot pin  
8 pcs screws

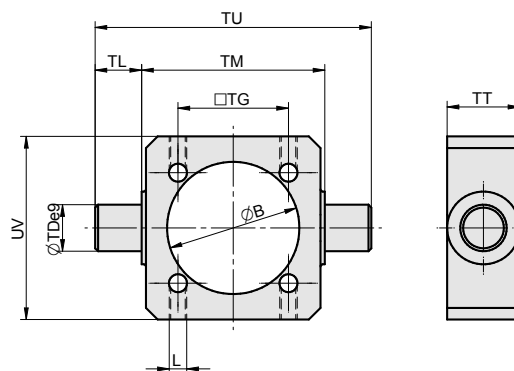
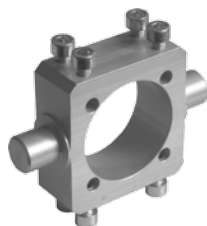


Piston $\varnothing$	L	TD	TL	TM	TT	TU	UV	Weight	Order codes
32	M5	12	12	50	25	74	63	0,12	2101 4100 0032 0000
40	M6	16	16	63	25	95	63	0,17	2101 4100 0040 0000
50	M6	16	16	75	28	107	85	0,70	2101 4100 0050 0000
63	M6	20	20	90	32	130	95	1,03	2101 4100 0063 0000
80	M6	20	20	110	32	150	120	1,46	2101 4100 0080 0000
100	M8	25	25	132	40	182	142	2,69	2101 4100 0100 0000

## PIVOT PIN FOR CYLINDER

• DIN ISO 6431, VDMA 24562, NF E 49003.1  
with round tube

Supply contain:  
1 pc pivot pin  
8 pcs screws



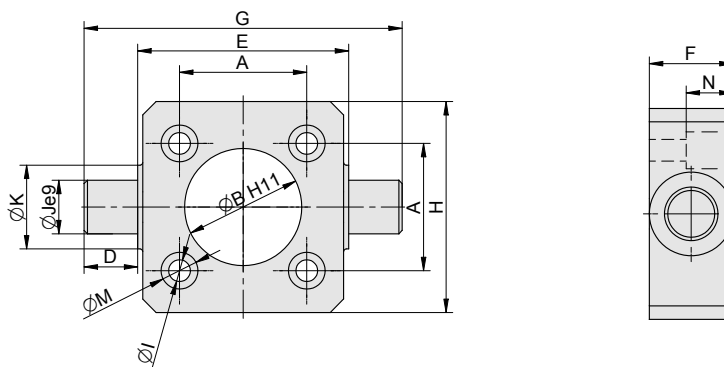
Piston $\varnothing$	L	TD	TL	TM	TT	TU	UV	TG	B	Weight	Order codes
32	M5	12	12	50	25	74	50	32,5	36,5	0,10	2101 4101 1032 0000
40	M6	16	16	63	25	95	63	38	45,5	0,16	2101 4101 1040 0000
50	M5	16	16	75	25	107	70	46,5	56	0,70	2101 4101 1050 0000
63	M6	20	20	90	25	130	84	56,5	69	0,80	2101 4101 1063 0000
80	M6	20	20	110	30	150	108	72	87	1,40	2101 4101 1080 0000
100	M8	25	25	132	40	182	130	85	106,5	2,60	2101 4101 1100 0000
125	M8	25	25	160	40	210	158	110	133	3,60	2101 4101 1125 0000
160	M8	32	32	200	40	264	196	140	172	5,40	2101 4101 1160 0000
200	M10	32	32	250	48	314	248	175	212	9,20	2101 4101 1200 0000
250	—	40	40	320	55	400	314	220	263,5	21,50	2101 4100 0250 0000
320	—	50	50	400	70	500	400	270	338	35,80	2101 4100 0320 0000



### PIVOT PIN TO FRONT/END CAP FOR CYLINDER

- ISO 15552, VDMA 24562, NF E 49003.1
- DIN ISO 6431, VDMA 24562, NF E 49003.1
- COMPACT

Supply contain:  
1 pc pivot pin  
4 pcs screws

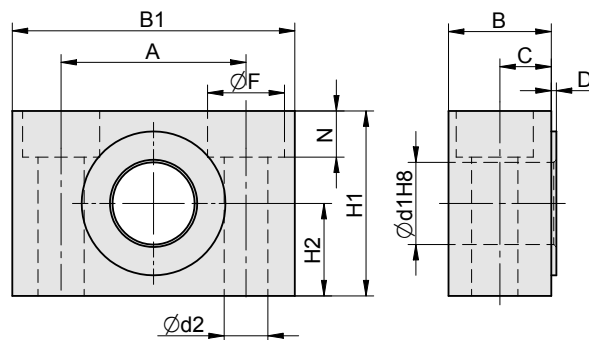


Piston Ø	A	B	D	E	F	G	H	I	J	K	M	N	Weight	Order codes
32	32,5	30	12	50	23	74	50	6,5	12	23	11	14	0,10	2101 4200 0032 0000
40	38	35	16	63	25	95	63	6,5	16	25	11	14	0,20	2101 4200 0040 0000
50	46,5	40	16	75	20	107	65	8,5	16	20	14	12	0,45	2101 4200 0050 0000
63	56,5	45	20	90	25	130	75	8,5	20	25	15	17	0,86	2101 4200 0063 0000
80	72	45	20	110	30	150	95	10,5	20	30	18	23	1,76	2101 4200 0080 0000
100	89	55	25	132	40	182	115	10,5	25	40	18	32	2,83	2101 4200 0100 0000

### TRUNNION MOUNTING FOR CYLINDER

- ISO 15552, VDMA 24562, NF E 49003.1
- DIN ISO 6431, VDMA 24562, NF E 49003.1
- COMPACT

Supply contain:  
1 pc trunnion

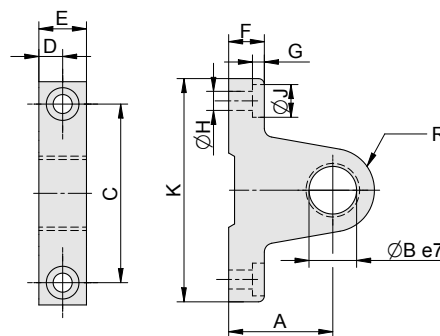
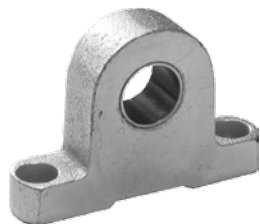


Piston Ø	A	B	B1	C	D	d1	d2	F	H1	H2	N	Weight	Order codes
32	32	17	46	9,5	1	12	6,5	11	30	15	10	0,04	2101 4000 0032 0000
40 / 50	36	20	55	11	1	16	8,5	15	36	18	9	0,08	2101 4000 0040 0000
63 / 80	42	21,5	65	11,5	1,5	20	11	18	40	20	11	0,10	2101 4000 0063 0000
100 / 125	50	27	75	14,5	1,5	25	14	20	50	25	13	0,22	2101 4000 0100 0000
160 / 200	60	38	92	20,5	2	32	18	26	60	30	17,5	0,40	2101 4000 0160 0000
250	90	54	140	23,5	4	40	22	34	70	35	21,5	1,08	2101 4000 0250 0000
320	100	63	150	28,5	4	50	26	40	80	40	26	1,35	2101 4000 0320 0000

### TRUNNION MOUNTING FOR CYLINDER

- ISO 15552, VDMA 24562, NF E 49003.1
- DIN ISO 6431, VDMA 24562, NF E 49003.1
- COMPACT

Supply contain:  
1 pc trunnion

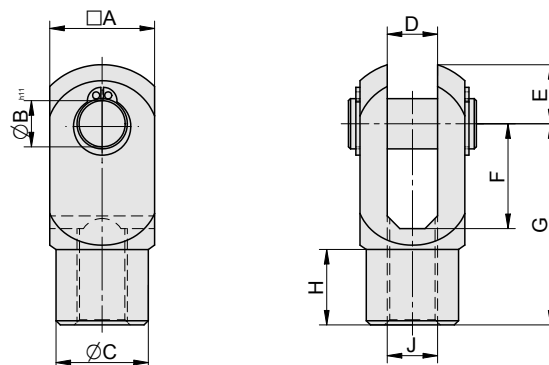


Piston Ø	A	B	C	D	E	F	G	H	J	K	R	Weight	Order codes
32	22	12	40	6	12	8	4	5,3	10	55	12	0,20	2110 4000 0032 0000
40 / 50	35	16	60	8	16	12	4	6,4	11	75	14	0,22	2110 4000 0040 0000
63 / 80	38	20	71	10	20	14	7	8,5	14	90	23	0,40	2110 4000 0063 0000
100 / 125	50	25	90	15	30	20	12	13	20	120	25	0,86	2110 4000 0100 0000

## PISTON ROD CLEVIS

FOR ANTI-CORROSIVE - HYGIENIC CLEAN CYLINDERS

Supply contain (material):  
 1 pc clevis (AISI 304)  
 1 pcs pivot pin (AISI 304)  
 2 pcs retaining rings (A2)

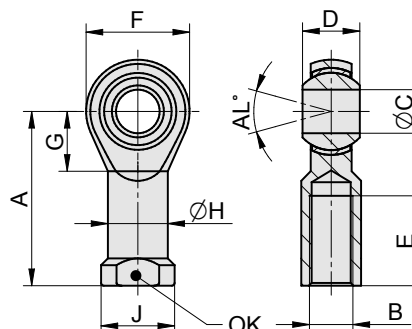


Piston Ø	A	B	C	D	E	F	G	H	J	Weight	Order codes
32	20	10	18	10	12	20	40	13	M10x1,25	0,09	2171 0100 0032 0000
40	24	12	22	12	14	24	48	13	M12x1,25	0,16	2171 0100 0040 0000
50 / 63	32	16	26	16	19	32	64	18	M16x1,5	0,31	2171 0100 0050 0000
80 / 100	40	20	32	20	25	40	80	22	M20x1,5	0,67	2171 0100 0080 0000

## PISTON ROD EYE

FOR ANTI-CORROSIVE - HYGIENIC CLEAN CYLINDERS

Supply contain (material):  
 1 pc eye  
 (body: 1.4057, bearing  
 ring: 1.4571 with PTFE  
 foil, ball: 1.4401)

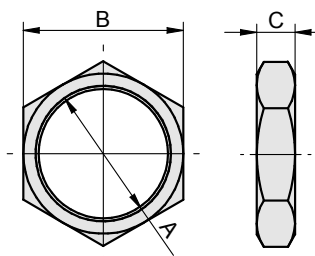


Piston Ø	A	B	C	D	E	F	G	H	J	OK	AL	Weight	Order codes
32	43	M10x1,25	10	14	20	28	15	15	19	17	10	0,076	2171 0200 0032 0000
40	50	M12x1,25	12	16	22	32	17	17,5	22	19	12	0,115	2171 0200 0040 0000
50 / 63	64	M16x1,5	16	21	28	42	22	22	27	22	14	0,230	2171 0200 0050 0000
80 / 100	77	M20x1,5	20	25	33	50	27	27,5	34	32	14	0,415	2171 0200 0080 0000

## FRONT CAP NUT

FOR ANTI-CORROSIVE - HYGIENIC CLEAN CYLINDERS

Supply contain (material):  
 1 pc nut (AISI 304)



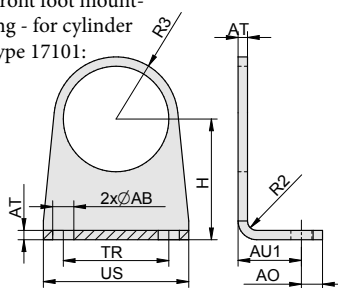
Piston Ø	A	B	C	Weight	Order codes
32	M30x1,5	36	10	0,037	2171 2400 0032 0000
40	M35x1,5	46	10	0,043	2171 2400 0040 0000
50 / 63	M42x1,5	50	12	0,079	2171 2400 0050 0000
80 / 100	M50x2	65	12	0,167	2171 2400 0080 0000

## FOOT MOUNTING FOR ANTI-CORROSIVE - HYGIENIC CLEAN CYLINDERS

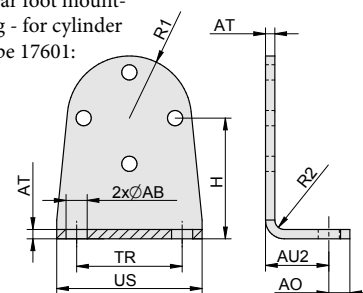
Supply contain (material):  
1 pc foot (AISI 304)  
1 pc nut or 4 pcs screws  
-according to foot type (A4)



Front foot mounting - for cylinder type 17101:



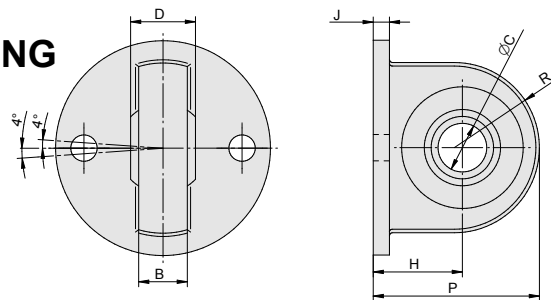
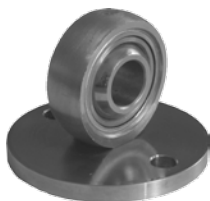
Rear foot mounting - for cylinder type 17601:



Piston ∅	AB	AO	AU1	AU2	AT	H	R1	R2	R3	TR	US	Weight	Order codes (front foot mounting for cyl. type 17101)	Order codes (rear foot mounting for cyl. type 17601)
32	7	9	28,5	20,5	3	33	17,5	3	17,5	32	45	0,075	2171 2100 0032 0000	2176 2100 0032 0000
40	9	9	32	22	3	38	21,5	3	21,5	36	52	0,09	2171 2100 0040 0000	2176 2100 0040 0000
50	9	9	36	27	4	47	26,5	4	25	45	62	0,17	2171 2100 0050 0000	2176 2100 0050 0000
63	9	9	36	26	4	52	33	4	27	50	72	0,23	2171 2100 0063 0000	2176 2100 0063 0000
80	12	15	38,5	35,5	5	65	42,5	5	31	63	90	0,45	2171 2100 0080 0000	2176 2100 0080 0000
100	12	15	38,5	35,5	5	75	50	5	40	83	110	0,64	2171 2100 0100 0000	2176 2100 0100 0000

## SWIVEL FLANGE WITH SPHERICAL BEARING FOR ANTI-CORROSIVE - HYGIENIC CLEAN CYLINDERS

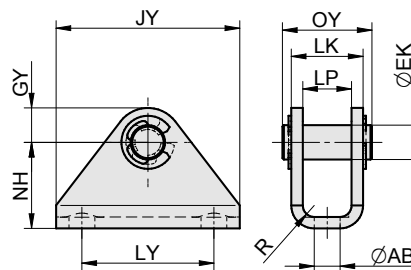
Supply contain (material):  
1 pc flange (body: AISI 304,  
bearing ring: 1.4571 with  
PTFE foil, ball: 1.4401)  
2 pcs screws (A4)



Piston ∅	B	C	D	H	J	P	R	Weight	Order codes
32	10,5	10	14	18,5	3,5	33,5	15	0,09	2176 3200 0032 0000
40	12	12	16	19	3,5	37	18	0,14	2176 3200 0040 0000
50	12	12	16	22	5	44	22	0,22	2176 3200 0050 0000
63	15	16	21	26	5	48	22	0,34	2176 3200 0063 0000
80	15	16	21	30,5	8	55,5	25	0,6	2176 3200 0080 0000
100	18	20	25	35	8	65	30	1,0	2176 3200 0100 0000

## NARROW SWIVEL FLANGE FOR ANTI-CORROSIVE - HYGIENIC CLEAN CYLINDERS

Supply contain (material):  
1 pc flange (AISI 304)  
1 pc pivot pin (AISI 304)  
2 pcs retaining ring (A2)

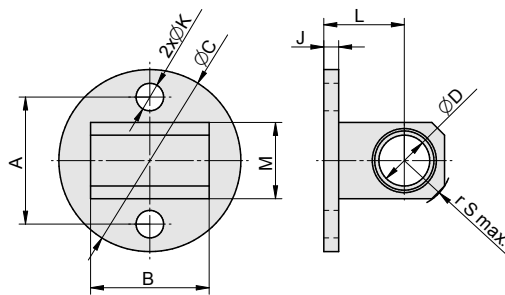
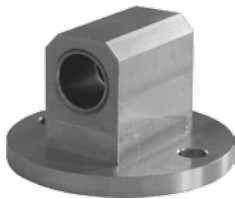


Piston ∅	AB	EK	GY	JY	LK	LP	LY	NH	OY	R	Weight	Order codes
32	7	10	9	45	21	15	30	24	26	3	0,08	2176 3400 0032 0000
40	9	12	10	55	23	17	38	27	29	3	0,09	2176 3400 0040 0000
50	9	12	10	64	25	17	46	30	31	4	0,18	2176 3400 0050 0000
63	12	16	13	79	30	22	58	36	36	4	0,27	2176 3400 0063 0000
80	14	16	13	94	32	22	70	40	38	5	0,41	2176 3400 0080 0000
100	14	20	15	112	36	26	88	45	42	5	0,47	2176 3400 0100 0000

## SWIVEL FLANGE

FOR ANTI-CORROSIVE - HYGIENIC CLEAN CYLINDERS

Supply contain (material):  
 1 pc flange (body: AISI 304,  
 bushing: Tecaform AD)  
 2 pcs screws (A4)

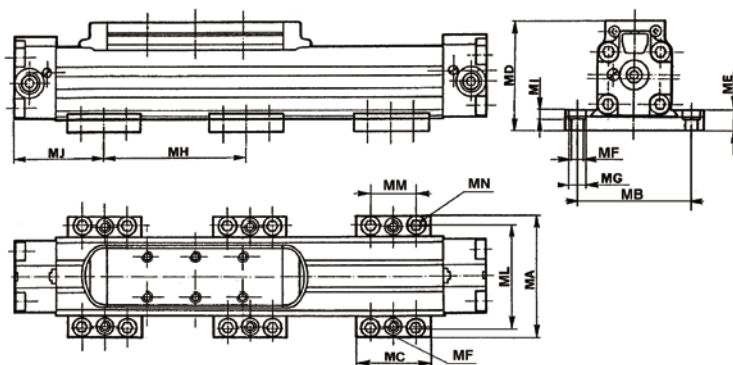
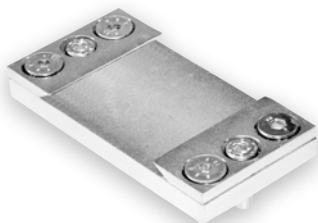


Piston Ø	A	B	C	D	J	K	L	M	r S max.	Weight	Order codes
32	25	26	34,6	10	3,5	5,5	18,5	15	10	0,076	2176 3300 0032 0000
40	30	28	43	12	3,5	6,5	19	18	12	0,10	2176 3300 0040 0000
50	39	32	53	12	5	6,5	22	20	12,5	0,18	2176 3300 0050 0000
63	49	40	64,5	16	5	8,5	26	28	18	0,35	2176 3300 0063 0000
80	64	50	84	16	8	11	30,5	32	20	0,70	2176 3300 0080 0000
100	82	60	104	18	8	11	35	35	20,5	1,05	2176 3300 0100 0000

## MOUNTING PLATE FOR RODLESS CYLINDER

• SERIES S1, S5 AND VL1

Supply contain:  
 1 pc flange  
 2 pc mounting plates  
 4 pcs bolts to fix  
 mounting plates

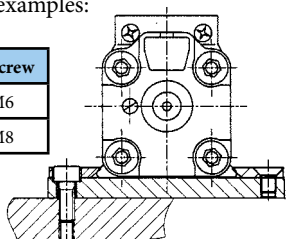


Piston Ø	MA	MB	MC	MD for series			ME	MF	MG	MH*	MI	MJ	ML	MM	MN	Weight	Order codes
				S1	S5	VL1											
25	78,5	63,5	50	65,6	79,8	82,3	12	M8	11	500*	6,5	55	65,5	30	M6	0,31	NSF-12025
32	92	77,5	50	74,2	90,5	90,5	12	M8	11	600*	5,5	60	79,5	30	M6	0,34	NSF-12032
40	117	96	60	95,8	116,6	116	15	M10	14	700*	8	70	96	37,5	M8	0,66	NSF-12040
50	136	115	60	113	133,7	136,2	15	M10	14	800*	8	70	115	37,5	M8	0,70	NSF-12050

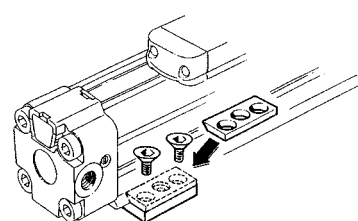
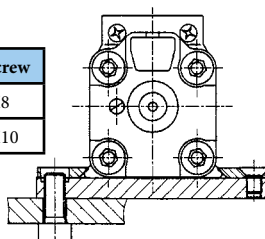
\*) Maximum dimension in order to limit the deflection of the cylinder under its own weight (if exceeded, we recommend to use another flange)

Mounting examples:

Piston Ø	Screw
25, 32	M6
40, 50	M8



Piston Ø	Screw
25, 32	M8
40, 50	M10



## FOOT MOUNTING FOR RODLESS CYLINDER

• SERIES S1, S5 AND VL1

ONLY FOR CYLINDERS WITH STROKE UP TO 400 MM

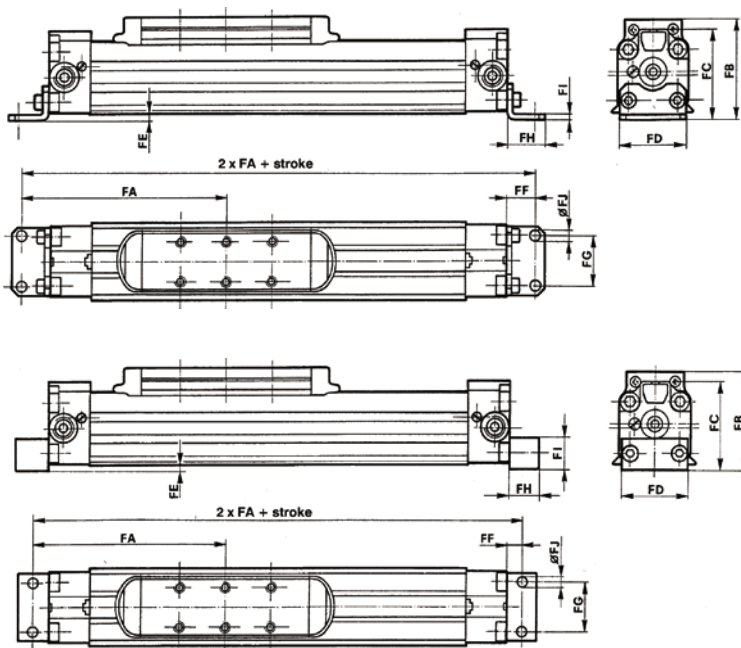
Foot mounting for cylinder  
Ø 25 and 32 mm



Foot mounting for cylinder  
Ø 40 and 50 mm



Supply contain:  
1 pc foot mounting  
2 pcs screw



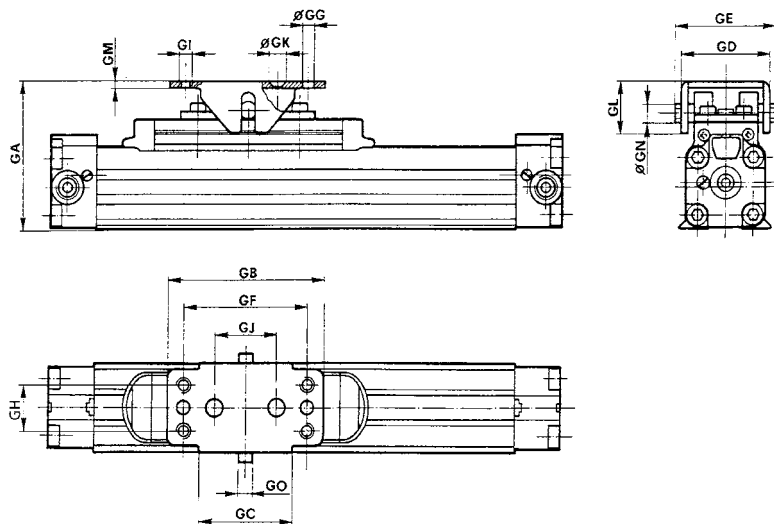
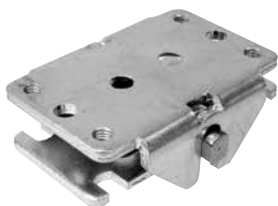
Piston Ø	FA	FB for series			FC	FD	FE	FF	FG	FH	FI	FJ	Weight	Order codes
		S1	S5	VL1										
25	116	58,1	72,3	74,8	48,8	40	0,5	16	27	22	2,5	5,5	0,04	NSF-13025
32	143,5	68,7	85	85	59,2	48	2,5	18,5	36	26	3	6,5	0,06	NSF-13032
40	162,5	86,5	107,3	106,7	74,9	63	0,7	12,5	30	25	25	9	0,12	NSF-13040
50	189,5	104,3	125	127,5	92,4	79	1,3	12,5	40	25	30	9,3	0,17	NSF-13050

Notice: foot mounting is only recommended for strokes up to 400 mm

## FLOATING FLANGE FOR RODLESS CYLINDER

• SERIES S1

Supply contain:  
1 pc floating flange  
4 pcs screws

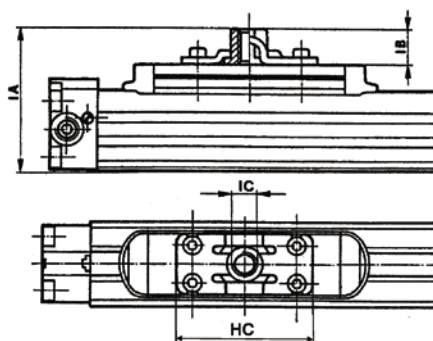


Piston Ø	GA	GB	GC	GD	GE	GF	GG	GH	GI	GJ	GK	GL	GM	GN	GO	Weight	Order codes
25	73,5±2,5	60	40	44,5±2,5	50	50	5,5	25	M5	16	5,5	20,5	3	8	6,15	0,14	NSF-24025
32	89±4	100	60	56±4	64	80	5,5	30	M6	40	6,5	30	4	12	8,2	0,36	NSF-24032
40	108,5±4	100	60	56±4	64	80	5,5	30	M6	40	6,5	30	4	12	8,2	0,36	NSF-24032

## FEMALE THREADED CONNECTION FOR RODLESS CYLINDER

### • SERIES S1

Supply contain:  
1 pc connection  
4 pcs screws

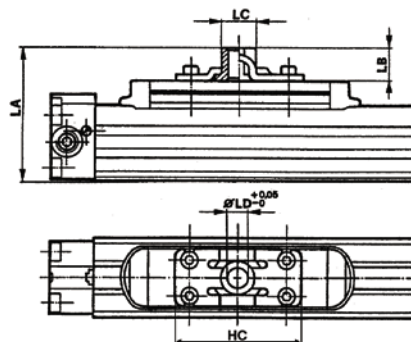


Piston Ø	IA	IB	IC	HC	Weight	Order codes
25	75,6	18	M12	64	0,08	NSF-26025
32	87,2	21	M14	84	0,16	NSF-26032
40	106,8	21	M14	84	0,16	NSF-26032

## FEMALE CONNECTION WITHOUT THREAD FOR RODLESS CYLINDER

### • SERIES S1

Supply contain:  
1 pc connection  
4 pcs screws

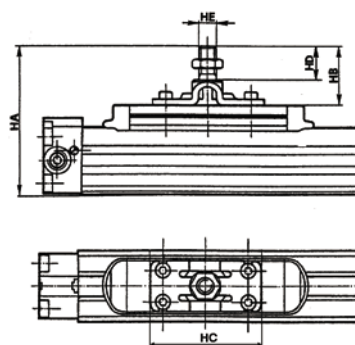


Piston Ø	LA	LB	LC	LD	HC	Weight	Order codes
25	70,6	13	18	10	64	0,07	NSF-28025
32	84,3	17,2	22	12	84	0,15	NSF-28032
40	103	17,2	22	12	84	0,15	NSF-28032

## MALE THREADED PIN FOR RODLESS CYLINDER

### • SERIES S1

Supply contain:  
1 pc connection  
4 pcs screws  
1 pc nut



Piston Ø	HA	HB	HC	HD	HE	Weight	Order codes
25	91,1	33,5	64	22	M12	0,11	NSF-27025
32	107,7	41,5	84	24,3	M14	0,26	NSF-27032
40	127,3	41,5	84	24,3	M14	0,26	NSF-27032

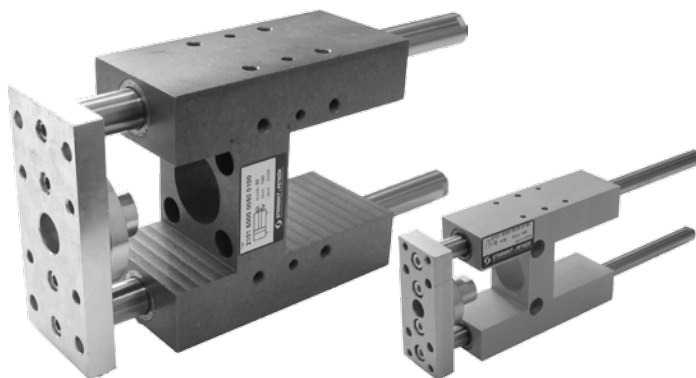


## GUIDE UNIT „H“ WITH BALL BEARINGS FOR CYLINDER

- ISO 15552, VDMA 24562, NF E 49003.1
- DIN ISO 6431, VDMA 24562, NF E 49003.1
- COMPACT
- DIN ISO 6432

Supply contain:

- 1 pc guide body
- 1 pc flange
- 2 pcs guide rods
- 1 pc flange for fix to the cylinder



Guide unit can be mounted to any pneumatic cylinder to VDMA 24562 (there is necessary to use option 13 for cylinders with magnetic piston dia. 32 to 63 mm), ISO 15552, compact cylinders (only for cylinders with internal thread on piston rod) or DIN ISO 6432. Guide secures piston rod against rotation, high torque loads and radial forces. Guide rods are mounted in ball bearings without clearance.

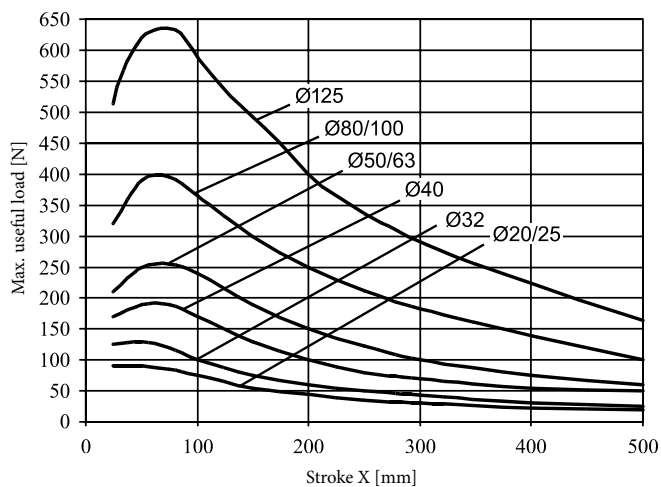
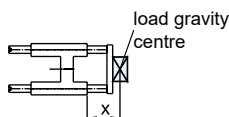
### Order codes

2101 500 00 050 0100

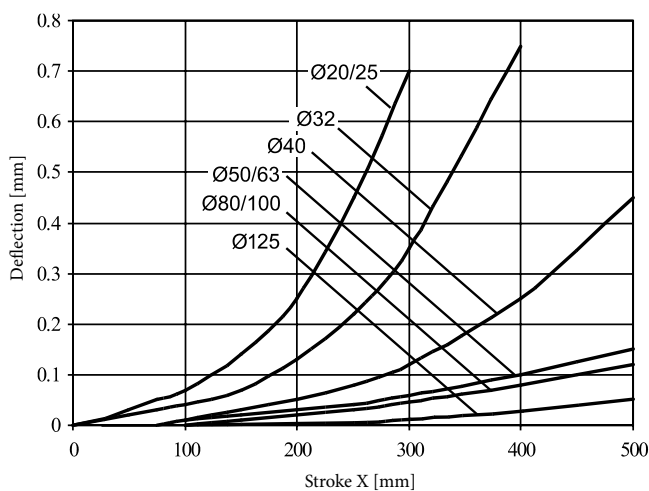
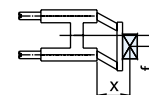
Guide unit H		Options		Piston diameter		Stroke	
2101	for cylinder DIN ISO 6431, VDMA 24562, NF E 49003.1	00	without options	020	20 mm	xxxx	mm of stroke e.g.. 0100 = stroke 100 mm
2102	for cylinder ISO 15552			025	25 mm		
2110	for cylinder DIN ISO 6432			032	32 mm		
2120*	for compact cylinder*			040	40 mm		
				050	50 mm		
				063	63 mm		
				080	80 mm		
				100	100 mm		
				125	125 mm		

\*) Cylinders with internal thread on piston rod only

### Useful load



### Deflection caused by load of 10 N



### Construction / materials

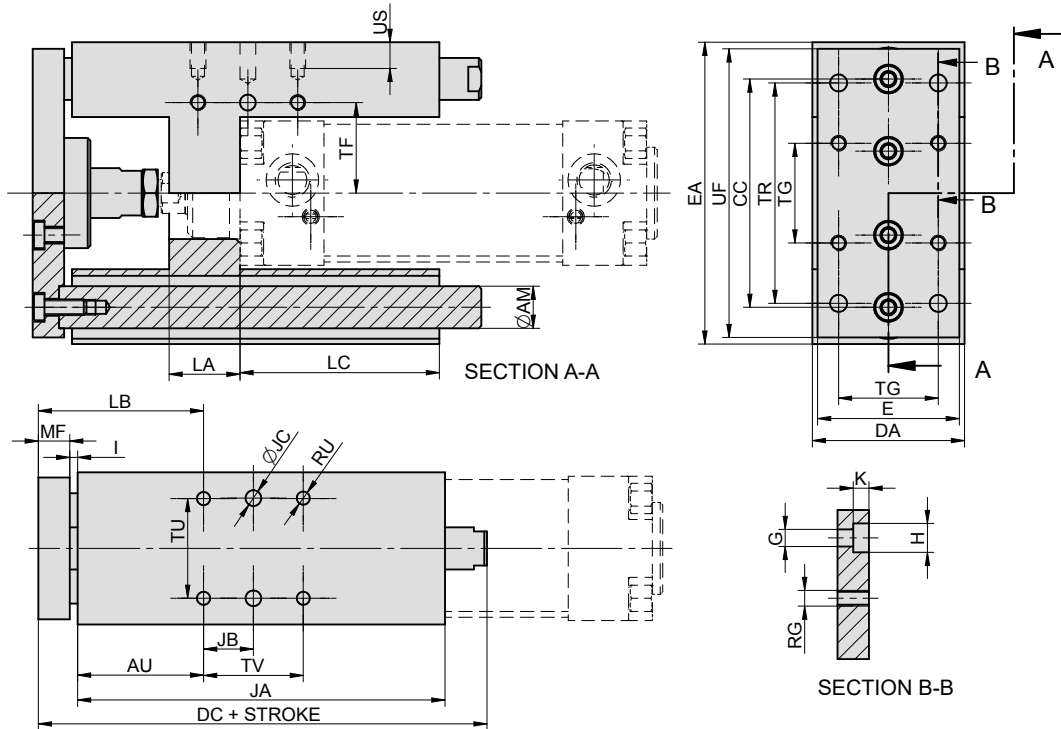
- guide bars: grounded hardened steel bar Cs-53 with hard chrome plated surface
- guide body: aluminium casting
- flange and nut: zinc plated steel
- bearings: covered linear ball bearings

Piston diameter [mm]	20	25	32	40	50	63	80	100	125
Weight 0 mm stroke [kg]	0,86	0,86	1,57	2,54	4,08	5,87	10,46	14,13	21,78
Weight add. per 1 mm stroke [kg]	0,002	0,002	0,002	0,003	0,005	0,005	0,008	0,008	0,011

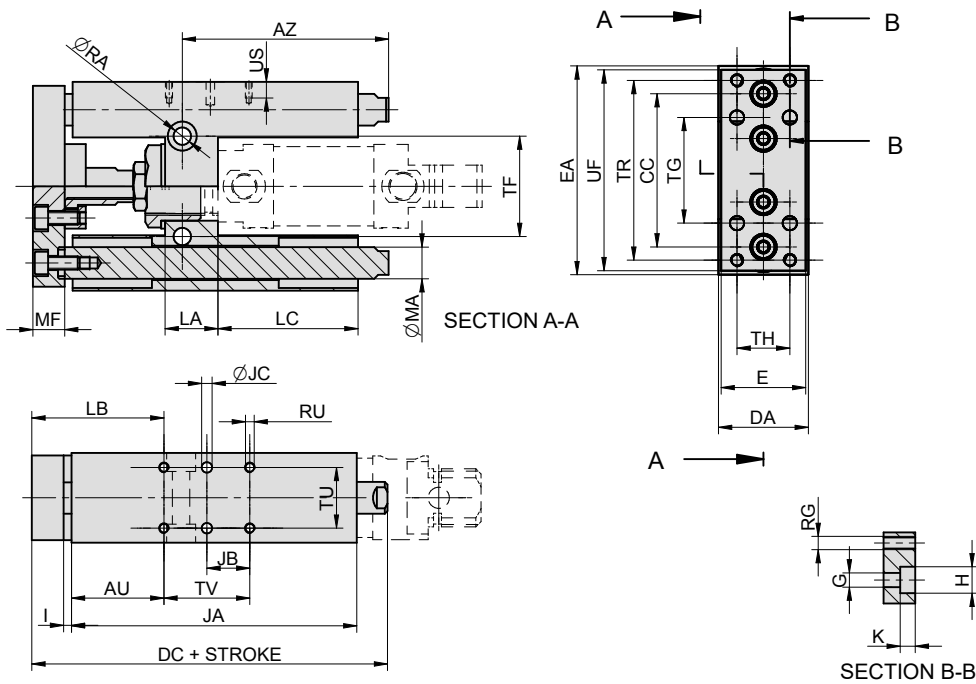


## Dimensions

For cylinder to ISO 15552, DIN ISO 6431, VDMA 24562, NF E 49003.1 and compact (piston diameter 32 to 125 mm)



For cylinder to DIN ISO 6432 (piston diameter 20 and 25 mm)



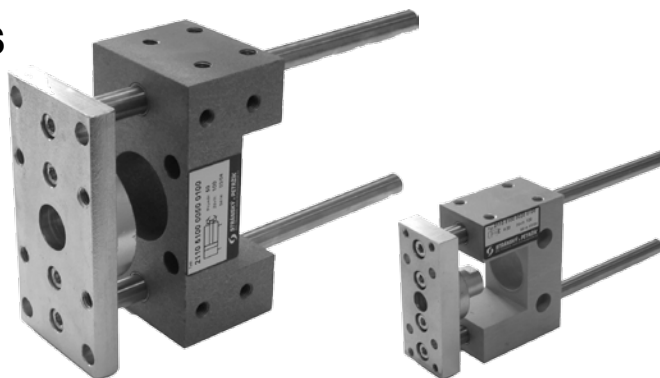
Ø	AU	AZ	CC	DA	DC	E	EA	G	H	I	JA	JB	JC	K	LA	LB	LC	MA	MF	RA	RG	RU	TR	TF	TG	TH	TU	TV	UF	US
20/25	35	66,5	58	34	135	32	79	5,4	10	3	108	16,25	4	5,7	20	50-60	53	12	12	6,6	M5	M4	68	38	40	20	23	32,5	76	8
32	44	-	74	50	152	45	97	6,5	11	3	125	16,25	6	6	23	59-69	65	12	12	-	M6	M6	78	30,5	32,5	-	32,5	32,5	92	10
40	48	-	87	58	171	54	115	6,5	11	3	140	19	6	6	27	63-73	76	16	12	-	M6	M6	84	34,5	38	-	38	38	110	10
50	52	-	104	70	182	63	137	9	15	3	150	23,25	6	9	34	70-80	79	20	15	-	M8	M8	100	42,5	46,5	-	46,5	46,5	130	13
63	55,5	-	119	85	218	80	152	9	15	3	182	28,25	6	9	34	73,5-83,5	103	20	15	-	M8	M8	105	50	56,5	-	56,5	56,5	145	13
80	66	-	148	105	256	100	189	11	18	3	215	36	6	11	40	89-99	122	25	20	-	M10	M10	130	65	72	-	72	72	180	16
100	67,5	-	172	130	261	120	213	11	18	3	220	44,5	6	11	45	90,5-100,5	122	25	20	-	M10	M10	140	75	89	-	89	89	200	16
125	65	-	202	150	285	140	250	13	20	3	230	55	8	13	52	93-103	108	30	25	-	M12	M12	170	90	110	-	110	110	240	20

## GUIDE UNIT „U“ WITH SLIDE BEARINGS FOR CYLINDER

- ISO 15552, VDMA 24562, NF E 49003.1
- DIN ISO 6431, VDMA 24562, NF E 49003.1
- COMPACT
- DIN ISO 6432

Supply contain:

- 1 pc guide body
- 1 pc flange
- 2 pcs guide rods
- 1 pc flange for fix to the cylinder



Guide unit can be mounted on any pneumatic cylinder to VDMA 24562, ISO 15552, compact (only for cylinders with internal thread on piston rod) or DIN ISO 6431 / 6432. Guide secures piston rod against rotation, high torque loads and radial forces. Guide rods are mounted in slide bearings without clearance.

### Order codes

2101 510 00 050 0100

Guide unit U	
2101	for cylinder DIN ISO 6431, VDMA 24562, NF E 49003.1
2102	for cylinder ISO 15552
2110	for cylinder DIN ISO 6432
2120*	for compact cylinder*

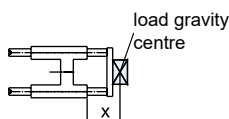
Options	
00	without options

Piston diameter	
012	12 mm, 16 mm
020	20 mm
025	25 mm
032	32 mm
040	40 mm
050	50 mm
063	63 mm
080	80 mm
100	100 mm
125	125 mm

Stroke	
xxxx	mm of stroke e.g. 0100 = stroke 100 mm

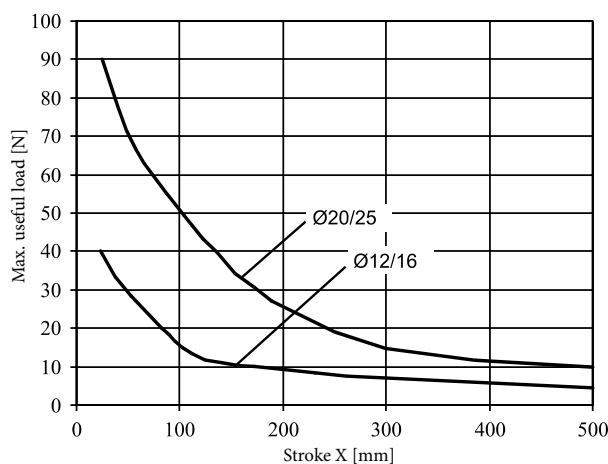
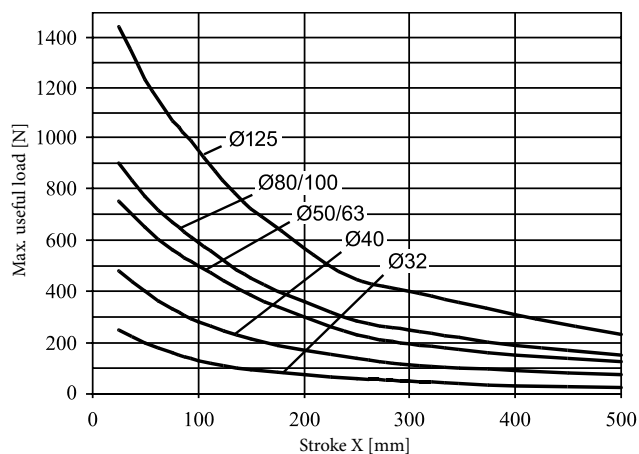
\*) Cylinders with internal thread on piston rod only

### Useful load



For cylinders to DIN ISO 6431, VDMA 24562 and NF E 49003.1

For cylinders to DIN ISO 6432



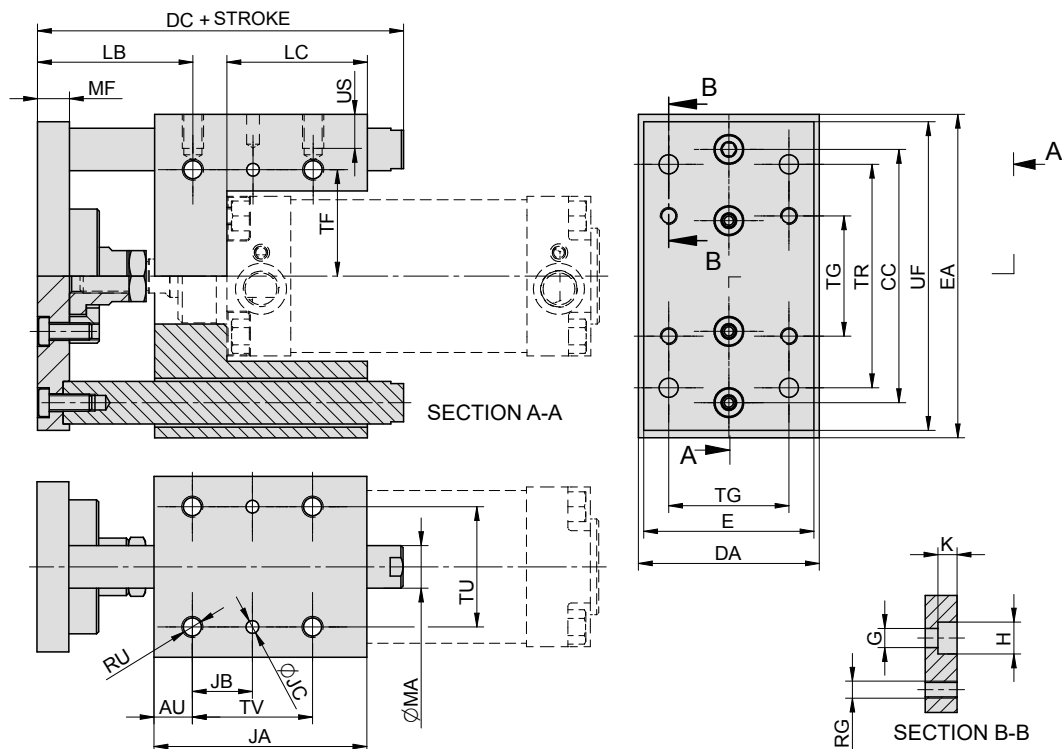
### Construction / materials

- guide bars: grounded round steel bar CK45 with chrome plated surface
- guide body: aluminium casting
- flange and nut: zinc plated steel
- bearings: slide, self-lubricating

Piston diameter [mm]	20	25	32	40	50	63	80	100	125
Weight 0 mm stroke [kg]	0,49	0,48	0,67	1,04	1,65	2,01	2,68	6,69	20,24
Weight add. per 1 mm stroke [kg]	0,001	0,001	0,001	0,002	0,002	0,002	0,003	0,003	0,012

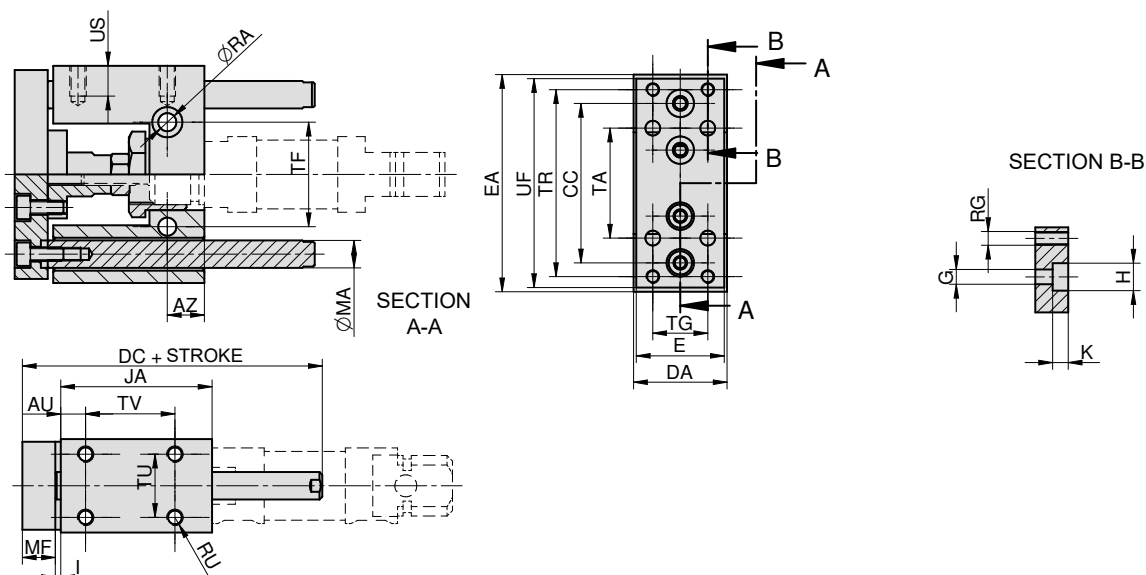
## Dimensions

For cylinder to ISO 15552, DIN ISO 6431, VDMA 24562, NF E 49003.1 and compact (piston diameter 32 to 125 mm)



Ø	AU	CC	DA	DC	E	EA	G	H	JA	JB	JC	K	LB	LC	MA	MF	RG	RU	TR	TF	TG	TU	TV	UF	US
32	12	74	50	130	45	97	6,5	11	70	16,25	6	6	59-69	50	12	12	M6	M6	78	30,5	32,5	32,5	32,5	92	10
40	14	87	58	145	54	115	6,5	11	80	19	6	6	63-73	55	16	12	M6	M6	84	34,5	38	38	38	110	10
50	18	104	70	162	63	137	9	15	90	23,25	6	9	70-80	56	20	15	M8	M8	100	42,5	46,5	46,5	46,5	130	13
63	18	119	85	172	80	152	9	15	100	28,25	6	9	73-83	66	20	15	M8	M8	105	50	56,5	56,5	56,5	145	13
80	18	148	105	220	100	189	11	18	130	36	6	11	89-99	90	25	20	M10	M10	130	65	72	72	72	180	16
100	19,5	172	130	230	120	213	11	18	140	44,5	6	11	90,5-100,5	95	25	20	M10	M10	140	75	89	89	89	200	16
125	20	202	157	285	140	254	13	20	175	55	6	13	110-120	117	32	25	M12	M12	175	92	110	110	110	240	25

For cylinder to DIN ISO 6432 (piston diameter 12 to 25 mm)

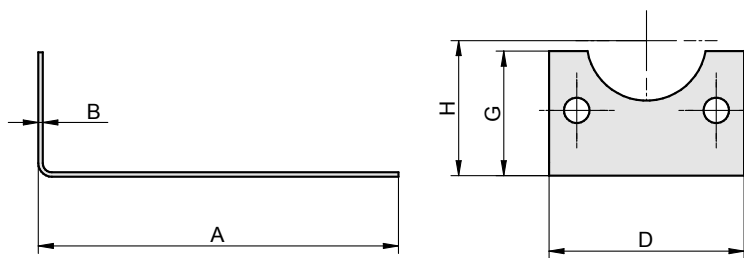


Ø	AU	AZ	CC	DA	DC	E	EA	G	H	I	JA	K	MA	MF	RA	RG	RU	TA	TR	TF	TG	TU	TV	UF	US
12/16	7,5	58	46	30	62	27	65	4,5	8	3	39	4,6	8	10	5,5	M4	M4	32	54	24	15	22	25	63	8
20/25	9	13,5	58	34	80	32	79	5,5	10	3	55	6	10	12	6,5	M5	M6	40	68	38	20	23	32,5	76	12

## VALVE BRACKET FOR CYLINDER

- ISO 15552, VDMA 24562, NF E 49003.1
- DIN ISO 6431, VDMA 24562, NF E 49003.1
- COMPACT

Supply contain:  
1 pc bracket  
2 pcs screws



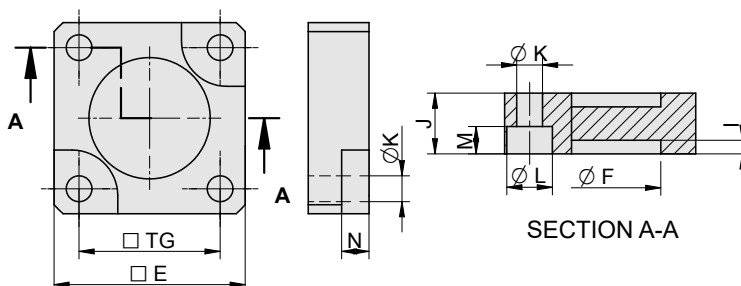
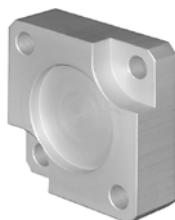
Valve bracket should be fixed on front or rear cap of cylinder. Bracket is universal, it means, that any valve can be attached on it - it is necessary to drill fixing holes in bracket according to the holes in valve. This simple but practical bracket should solve not only the problem with placing of valve in application, but it helps to better look and compact impression of application (it is not necessary to lead and fix tubes for inlet and outlet of cylinder).

Piston $\varnothing$	A	B	D	G	H	Weight	Order codes
32	160	1,5	48	30	32	0,11	2101 8000 0032 0000
40	200	1,5	55	32	36	0,15	2101 8000 0040 0000
50	230	1,5	65	41,5	45	0,20	2101 8000 0050 0000
63	230	1,5	75	41,5	50	0,24	2101 8000 0063 0000
80	230	1,5	95	60	63	0,32	2101 8000 0080 0000
100	230	1,5	115	60	71	0,30	2101 8000 0100 0000
125	250	1,5	140	70	90	0,42	2101 8000 0125 0000

## BOXER FLANGE MOUNTING FOR CYLINDER

- ISO 15552, VDMA 24562, NF E 49003.1
- DIN ISO 6431, VDMA 24562, NF E 49003.1
- COMPACT

Supply contain:  
1 pc flange  
4 pcs screws

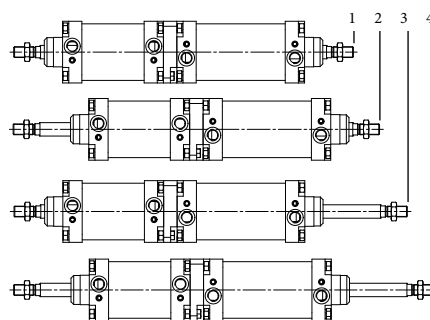


Using the boxer flange mounting, the 2 cylinders can be mounted together by end caps, so the piston rods will move against each other. If the cylinders will have the same stroke, the final assembly will have 3 positions when cylinders will be in end positions. When the cylinders will have various strokes, the final assembly will

have 4 positions.

Attention: the body of cylinders are moving in this assembly, so it is necessary to use flexible air connections.

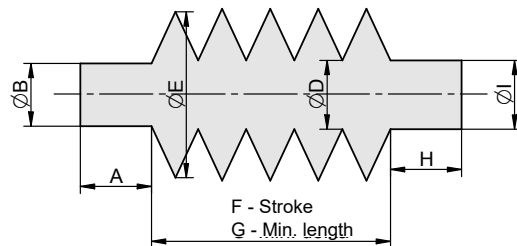
Piston $\varnothing$	TG	E	F	J	M	N	K	L	I	Weight	Order codes
32	32,5	45	30	15	6,5	8	6,5	11	4,5	0,052	2101 2300 0032 0000
40	38	56	35	15	6,5	8	6,5	11	4,5	0,084	2101 2300 0040 0000
50	46,5	63	40	20	9	9	8,5	15	4,5	0,154	2101 2300 0050 0000
63	56,5	75	45	20	9	9	8,5	15	4,5	0,223	2101 2300 0063 0000
80	72	95	45	25	12	12	10,5	18	4,5	0,511	2101 2300 0080 0000
100	89	115	55	25	12	12	10,5	18	4,5	0,774	2101 2300 0100 0000
125	110	140	60	30	15	13	12,5	20	6,5	1,714	2101 2300 0125 0000
160	140	185	65	35	17,5	15	16,5	26	6,5	2,945	2101 2300 0160 0000
200	175	235	75	35	17,5	15	16,5	26	6,5	4,844	2101 2300 0200 0000
250	220	270	90	45	21,5	18	21	34	10,5	8,167	2101 2300 0250 0000
320	270	350	110	50	27	20	25	40	10,5	15,47	2101 2300 0320 0000



## PISTON ROD PROTECTIVE COVER

- FOR ALL CYLINDER TYPES
- FOR ANY EQUIPMENT

Supply contain:  
1 pc protective cover



Size	D	E	For cylinders Ø	Number of annulus for 100 mm stroke	Width of 10 pcs annulus	Order codes
5	20	60	32, 40	10	10	2195 0000 5 zzzz xxx
4	40	80	50, 63, 80	8	10	2195 0000 4 zzzz xxx
3	50	130	100, 125	4	10	2195 0000 3 zzzz xxx
2	60	155	160, 200	3	10	2195 0000 2 zzzz xxx
1	100	180	250, 320	3	10	2195 0000 1 zzzz xxx

Notice: zzzz means cover stroke in mm, xxx is ordinal number, which will be assigned by sales dept. on the base of A,B,H and I dimensions.

Material: double-sided hyped-up fabric, water, oil and dust resistant

Temperature range: -20 to +80°C

Covers are fixed by clamps - there is necessary to select proper size according to diameters, to which will be the cover fixed

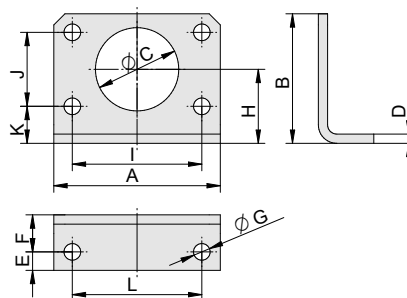
We produce protective covers to customer's request (length, form, flange form. If you need protective cover for our pneumatic cylinder, just let us know order code of that cylinder and order code of mounting accessories, which is mounted on piston rod. If you need protective cover for another application, send us a request with dimensions which are important and we will send you offer by return.

## FOOT MOUNTING FOR CYLINDER

- PDSW

Supply contain:  
1 pc foot mounting

Note: supply doesn't contain nut  
- it is included in supply of the cylinder (1 pc)

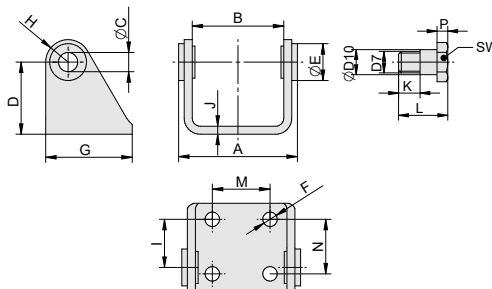
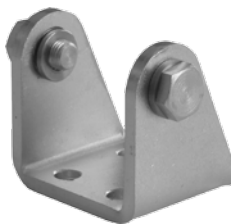


Piston Ø	A	B	C	D	E	F	G	H	I	J	K	L	Weight	Order codes
32	66	49	30	4	7	14	7	28	52	28	14	52	0,12	2113 2100 0032 0000
40	80	58	38	4	10	20	9	33	60	30	18	60	0,16	2113 2100 0040 0000
50	90	70	45	5	10	20	9	40	70	40	20	70	0,25	2113 2100 0050 0000
63	96	80	45	5	10	20	9	45	76	50	20	76	0,32	2113 2100 0063 0000

## CLEVIS FOOT MOUNTING FOR CYLINDER

- PDSW

Supply contain:  
1 pc clevis  
2 pcs screws  
2 pcs washer



Piston Ø	A	B	C	D	E	F	G	H	I	J	M	N	L	SW	K	P	D10	D7	Weight	Order codes
32	50,1	38,1	10	35	15	7	40	12	20	4	20	24	17,5	13	6,5	4	10	M8x1	0,16	2113 3000 0032 0000
40	60,1	46,1	12	40	20	9	50	13	27	4	28	30	22	17	9	5	12	M10x1	0,25	2113 3000 0040 0000
50	74,1	57,1	14	45	23	9	54	14	30	5	36	34	27,5	19	12	6	14	M12x1,5	0,37	2113 3000 0050 0000
63	88,1	70,1	16	50	23	9	65	16	34	5	42	35	32	19	16	6	16	M14x1,5	0,51	2113 3000 0063 0000

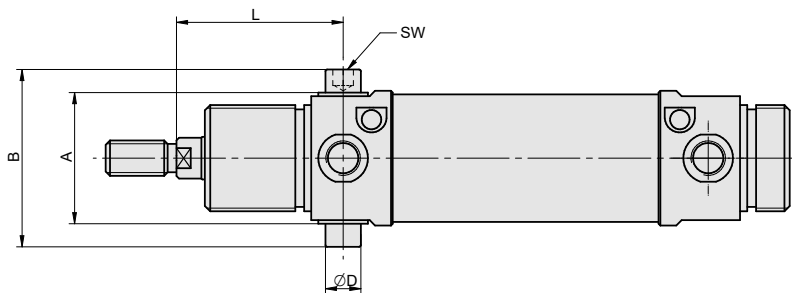
## PLUG BOLT FOR CYLINDER

• PDSW

Supply contain:

1 pcs bolt













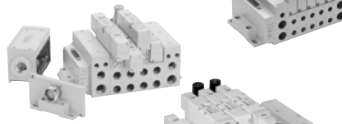
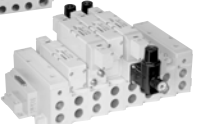
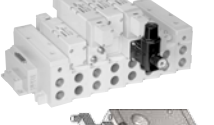
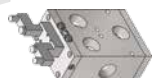
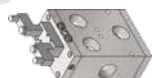
1 pcs washer








Piston Ø	A	B	D f7	L	SW	Weight	Order codes
32	37	50	10	47	5	0,010	2113 4200 0032 0000
40	45	60	12	57	6	0,013	2113 4200 0040 0000
50	56	74	14	62	6	0,020	2113 4200 0050 0000
63	69	89	16	63	8	0,028	2113 4200 0063 0000

<b>i</b>	General information .....	5-2
	Valve properties and selection table .....	5-3


### 4/2, 5/2 and 5/3 function valves

	Series MVSC .....	5-4
	<i>G1/4", G3/8", G1/2"</i>	
	Series MVSE .....	5-6
	<i>G1/4", G3/8", G1/2"</i>	
	Series MVSE .....	5-8
	<i>G1/2", G3/4", G1"</i>	
	Series MVSN .....	5-10
	<i>G1/2", G3/4", G1"</i>	
	Series L1 / L2 .....	5-12
	<i>G1/8", G1/4", G3/8"</i>	
	Series L01 - direct actuated valve .....	5-15
	<i>G1/8"</i>	
	Series ISO 5599/1 Compact .....	5-17
	<i>ISO I, II and III</i>	
	Series ISO 5599/1 .....	5-18
	<i>ISO I, II and III</i>	
	Series ISO 5599/1 - direct actuated valve .....	5-20
	<i>ISO I, II and III</i>	
	Accessories for series ISO 5599/1 Compact and ISO 5599/1 .....	5-21
	<i>Individual and manifold bases, end plates</i>	
	Series MVSY .....	5-23
	<i>M5, G1/8", G1/4"</i>	
	Series 2002 .....	5-27
	<i>M5, G1/8", 4/2, 6/4</i>	
	Series 2005 .....	5-28
	<i>G1/8", 6/4, 8/6</i>	
	Series 2012 .....	5-29
	<i>G1/4", G3/8", 8/6, 10/8</i>	
	Series 2035 .....	5-30
	<i>G3/8", G1/2"</i>	
	Completely assembled manifolds of series 2002, 2005, 2012 and 2035 .....	5-31
	<i>Externally or internally wired, BUS systems</i>	
	High flow valve series .....	5-36
	<i>G1", G1 1/2"</i>	

### 2/2 and 3/2 function valves

	Series MVSC .....	5-38
	<i>G1/4", G3/8", G1/2"</i>	
	Series NAF .....	5-40
	<i>G1/8", G1/4", G3/8", G1/2", G3/4", G1", G1 1/2"</i>	
	Series MVDC .....	5-41
	<i>G1/8"</i>	
	Series MBS .....	5-44
	<i>G1/8", G1/4"</i>	
	Series MCS .....	5-45
	<i>G1/4", G3/8", G1/2"</i>	

### Connectors

	Connectors for solenoid actuated valves and for electronic systems .....	5-46
---	--	------

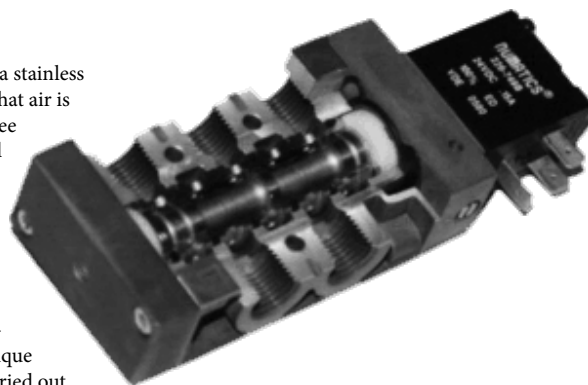


# SOLENOID ACTUATED VALVES GENERAL INFORMATION

## Solenoid actuated valves NUMATICS®

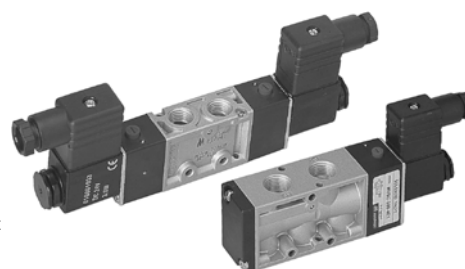
The spool and sleeve assembly is a matched set consisting of a stainless steel spool assembled into a stainless steel sleeve. The steel used is a 440C stainless hardened to 62 Rockwell „C“. The tolerance is such that air is entrained between the spool and sleeve forming an „airbearing“ effect which ensures safe, wear-free operation with extremely short cycles and low shift forces. At the same time reliability of the spool and sleeve assembly is maintained both for lubricated and non-lubricated air. Under both sets of conditions the spool moves with minimal friction leading to very low shifting forces enabling quick response.

The hardness of the spool and sleeve ensures no damage from pipe scale or other airline contaminants while the stainless steel construction combats any line moisture. these features will allow a typical service life in excess of 200 million cycles. The spool is balanced with respect to air pressure and coupled with the absence of wearing parts allows extreme versatility of valve applications. On NUMATICS valves, the air can flow in any direction at any pressure or vacuum. This unique design enables cylinder working strokes at one pressure while unloaded reverse strokes can be carried out economically at low pressures.



## Solenoid actuated valves MINDMAN

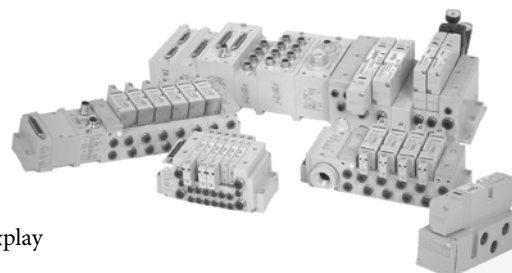
We add the Mindman valves into our offer as the reasonable and high-quality supplement of Numatics valve. Those pilot operated valves with classic slide and rubber gaskets are offered as 3/2 normally closed, 5/2 with single or double solenoid and 5/3 with closed centre position, which is compare to Numatics spool and sleeve assembly, 100% leakage proof, 5/3 with with exhaust centre position and position with pressure centre. Valves with rubber gaskets can not be compared to valves with spool and sleeve assembly regarding lifetime, but their lifetime is sufficient for lot of small and mid-range applications.



## Valves with Buslink electronics (BUS systems)

Numatics valves are available also with Buslink electronics. There is a new generation of electronic modules available called G3, which can be used with valves series 2002, 2005, 2012, 2035, ISO 15407-2 and ISO 5599/2. There is a short characteristics of particular Buslink technology which are implemented into Numatics valve islands:

- completely wireless solution, no inside cable wiring
- up to 256 inputs and 544 outputs (1200 bits) capability with one communication node
- up to 16 distributed manifolds with max. 30 m backplane extension length, distributed plug&play design, no configuration required
- extended on-board diagnostics incl. status of particular I/O and short circuit protection
- I/O modules connectable to valve side
- back-plane technology allowing easy upgrade and quick replacement and service
- graphic display on each module for easy commissioning, visual status and diagnostics
- all modules and assembled nodes are tested
- analog or digital outputs (PNP or NPN)- NEMA4/IP65
- low cost upgrade and expansion
- remote inputs and outputs connection available
- for more information about BUS systems please contact our technical dept.

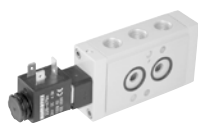


ControlNet™

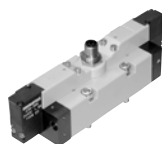


## Wide range of valves

You can find overview of the most common valves in this catalogue. But there is lot of variants of these standard valves as well as other valve series, which are designed for special purposes (e.g. for high temperatures etc.). In case, that the series/type of valve doesn't meet your criteria, please ask our sales dept. for detailed Numatics catalogue. In this catalogue you will not find for example the following valves:



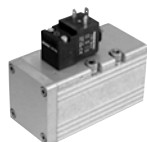
series P, NAMUR interface



ISO Compact with M12 connector



slow-start ISO 3



3/2 ISO valves



adapter for series 2005/2012 valves to ISO 15407-2

**4/2, 5/2 a 5/3 function valves - valve properties and selection table**

Series	Port size	Flow capacity [Nl/min]	Working pressure [MPa]***	Connection*			Voltage		Connector type	Page
				1*	2*	3*	DC [V]	AC [V]		
<b>MVSC**</b>	G1/4", G3/8", G1/2"	980 to 2730	0,2 to 0,7	✓	✗	✗	12, 24	24, 230	22	5-4
<b>MVSE</b>	G1/4", G3/8", G1/2"	980 to 2180	0,2 to 1,2	✓	✗	✗	24	24, 230	22	5-6
<b>MVSE</b>	G1/2", G3/4", G1"	3400 to 4830	0,2 to 0,7	✓	✗	✗	24	230	DIN 43650 A	5-8
<b>MVSN</b>	NAMUR	1630 to 1905	0,2 to 0,8	✓	✓	✗	24	24, 230	22	5-10
L01	G1/8"	200	vacuum to 1,0	✓	✗	✓	24	24, 110, 230	22	5-15
<b>L1**</b>	G1/8", G1/4"	1000	0,1 to 1,0	✓	✗	✓	24	24, 110, 230	22	5-12
<b>L2**</b>	G1/4", G3/8"	1700	0,1 to 1,0	✓	✗	✓	24	24, 110, 230	22	5-12
L8	G1/2"	3500	0,2 to 1,6	✓	✗	✗	24	24, 110, 230	DIN 43650 A, M12	—
ISO 1** indirect act.	ISO 1 - G1/4"	1200	0,1 to 1,6	✗	✓	✓	12, 24	24, 110, 230	22, DIN 43650 A	5-18
ISO 1** direct act.	ISO 1 - G1/4"	1200	vakuüm to 2,1	✗	✓	✓	24	24, 110, 230	DIN 43650 A	5-20
<b>ISO 1 Compact</b>	ISO 1 - G1/4"	1400	0,1 to 1,6	✗	✓	✓	12, 24	24, 110, 230	22, DIN 43650 A	5-17
ISO 2** indirect act.	ISO 2 - G3/8"	1700	0,1 to 1,6	✗	✓	✓	12, 24	24, 110, 230	22, DIN 43650 A	5-18
ISO 2** direct act.	ISO 2 - G3/8"	1700	vakuüm to 2,1	✗	✓	✓	24	24, 110, 230	DIN 43650 A	5-20
<b>ISO 2 Compact</b>	ISO 2 - G3/8"	2800	0,1 to 1,6	✗	✓	✓	12, 24	24, 110, 230	22, DIN 43650 A	5-17
ISO 3** indirect act.	ISO 3 - G1/2"	4300	0,1 to 1,6	✗	✓	✓	12, 24	24, 110, 230	22, DIN 43650 A	5-18
ISO 3** direct act.	ISO 3 - G1/2"	4300	vakuüm to 2,1	✗	✓	✓	24	24, 110, 230	DIN 43650 A	5-20
<b>ISO 3 Compact</b>	ISO 3 - G1/2"	4200	0,1 to 1,6	✗	✓	✓	12, 24	24, 110, 230	22, DIN 43650 A	5-17
<b>MVSY</b>	M5, G1/8", G1/4"	200 to 760	0,15 to 0,7	✓	✗	✓	6, 12, 24	230	with cable	5-23
<b>2002</b>	M5, G1/8", 4/2, 6/4	200 / 250	vacuum to 1,0	✗	✓	✓	12, 24	—	more choices	5-27
<b>2005</b>	G1/8", 6/4, 8/6	560	vacuum to 1,0	✗	✓	✓	12, 24	24, 110	more choices	5-28
<b>2012</b>	G1/4", G3/8", 8/6, 10/8	1200	vacuum to 1,0	✗	✓	✓	12, 24	24, 110	more choices	5-29
<b>2035</b>	G3/8", G1/2"	3500	vacuum to 1,0	✗	✓	✓	12, 24	24, 110	more choices	5-30
High flow	G1", G1 1/2"	16000 to 28000	0,2 to 0,7	✓	✗	✗	24	24, 230	DIN 43650 A	5-36
140	G1", G1 1/4", G1 1/2"	up to 16300	vacuum to 1,0	✗	✓	✗	24	110, 230	in the base	—
ISO 5599/2 1	ISO 1 - G1/4"	1300	vacuum to 1,6	✗	✓	✓	24	24, 110, 230	in the base	—
ISO 5599/2 2	ISO 2 - G3/8"	2900	vacuum to 1,6	✗	✓	✓	24	24, 110, 230	in the base	—
ISO 5599/2 3	ISO 3 - G1/2"	5250	vacuum to 1,6	✗	✓	✓	24	24, 110, 230	in the base	—

\*) Valve connection:  
1 - in-line  
2 - individual base  
3 - manifold block

\*\*) Valves are available with explosion proof solenoids too.

\*\*\*) Working pressure may be higher / lower, when option coils and external pilot supply is used.

Standard valve series are **highlighted**.

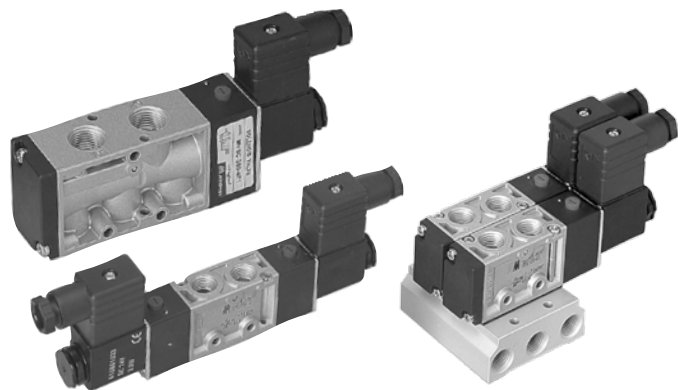
**Notice:** due to spool and sleeve assembly, minor leakage may occur in 5/3 with closed centre. If you need to ensure 100% leakproof, it is necessary to use valve with rubber packed spool.

**2/2 and 3/2 function valves - valve properties and selection table**

Series	Port size	Flow capacity [Nl/min]	Working pressure [MPa]	Function			Voltage		Connector type	Page
				2/2	3/2 NC	3/2 NO	DC [V]	AC [V]		
<b>MVDC</b>	G1/8"	60	0,1 to 0,7	✓	✓	✗	12, 24	24, 230	22	5-42
<b>MBS</b>	G1/8", G1/4"	30 to 180	0 to 4,0	✓	✗	✗	12, 24	24, 230	22	5-44
<b>MCS</b>	G1/4", G3/8", G1/2"	120 to 530	0 to 4,0	✓	✗	✗	12, 24	24, 230	DIN 43650 A	5-45
<b>MVSC</b>	G1/4", G3/8", G1/2"	980 to 2730	0,2 to 0,7	✗	✓	✓	12, 24	24, 230	22	5-38
<b>NAF</b>	G1/8"	580	0,15 to 1,0	✗	✓	✓	12, 24	24, 110, 230	22	5-40
<b>NAF</b>	G1/4", G3/8"	1100 / 1500	0,16 to 1,0	✗	✓	✓	12, 24	24, 110, 230	22	5-40
<b>NAF</b>	G1/2", G3/4"	5400 / 6500	0,2 to 1,0	✓	✓	✓	12, 24	24, 110, 230	DIN 43650 A	5-40
<b>NAF</b>	G1"	13500	0,22 to 1,0	✓	✓	✓	12, 24	24, 110, 230	DIN 43650 A	5-40
<b>NAF</b>	G1 1/2"	35000	0,25 to 1,0	✓	✓	✓	12, 24	24, 110, 230	DIN 43650 A	5-40

Standard valve series are **highlighted**

# SOLENOID ACTUATED VALVES SERIES MVSC



The popular valve series, which replaces valves series L and J. The basic usable features are kept and brings some improvements such as lower wattage, comparable or bigger flow capacity and better accessibility. Valves are solenoid pilot actuated. The product range covers functions 5/2 single or double solenoid and 5/3 with centre closed and exhaust position and position with pressure centre. Connector and coil are included in delivery.

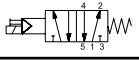
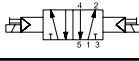
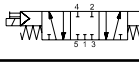
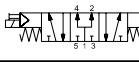

This valve series contains rubber gaskets.

Series	MVSC 220	MVSC 300	MVSC 460
Ports	G1/4" (G1/8" for exhaust port 3 and 5)	G3/8"	G1/2"
Flow capacity [Nl/min]	980, or 860 for function 5/3	1905, or 1355 for function 5/3	2730, or 1630 for function 5/3
Working pressure [MPa]	0,2 to 0,7, or 0,3 to 0,7 for function 5/3		
Power input [W, VA]	2W for DC voltage, 6/4,9VA for AC voltage (inrush/hold)		
Response time [ms]	30, or 40 for function 5/3	50	50
Coil voltage tolerance	±10%		
Temperature range [°C]	ambient temperature -5 to +50		
Enclosure	IP65 with sealed and fastened connector		

## Order codes

### PMVSC 220 4E2C A220

Size	
220	series MVSC 220, thread G1/4"
300	series MVSC 300, thread G3/8"
460	series MVSC 460, thread G1/2"

Function		
4E1		5/2 monostable (with 1 coil)
4E2		5/2 bistable (with 2 coils)
4E2C		5/3 with closed centre position
4E2C		5/3 with pressure centre position
4E2C		5/3 with exhaust centre position

Voltage	
D12	12 V DC ± 10%
D24	24 V DC ± 10%
A220	230 V AC ± 10%, 50-60 Hz
A24	24 V AC ± 10%, 50-60 Hz

**i** Supply contain connector(s).

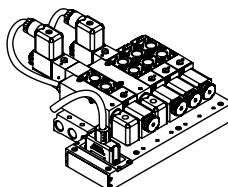
## Order codes of manifolds

### PMVSC 220 - 5B 4

Size	
220	series MVSC and MVAA 220, thread G1/4"
300	series MVSC 300, thread G3/8"
460	series MVSC and MVAA 460, thread G1/2"

Number of positions	
2 to 10	for 2 to 10 valves

**i** Manifolds with internal wiring and common 25-pin SUB-D connector are also available. These manifolds are for valves series 220, 300 and 460. Number of stations is 2 to 12 as standard, maximum is 20. Voltage of coils is 24V DC. For more information about these manifolds, please contact our technical department.



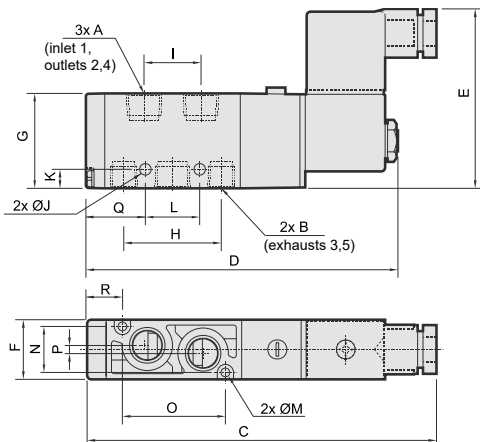
It is possible to mount series MVSC and MVAA valves on manifold with predefined number of position. It isn't possible to add another position to created assembly - it could be necessary to replace manifold or create another manifold. If there is possibility that more valves will be needed in future, we recommend to use manifold with more positions and use blocking plates for unused positions. Valves are mounted to manifold directly - no adaptor is necessary. Valves mounted on manifold could be unmounted separately by unscrew of 2 bolts, which are accessible from top side (side with ports 2 and 4 of valves). Each separate coil must be wired with separate electrical cable.

Order codes for blank station plates:

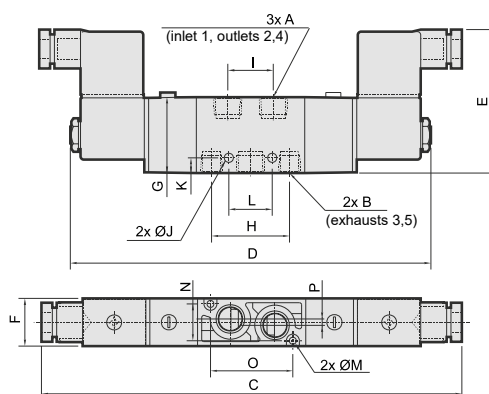
Series	Order codes
220	PMVSC 220 -5P
300	PMVSC 300 -5P
460	PMVSC 460 -5P

**Dimensions of valve series MVSC**

Type 5/2 with single solenoid:



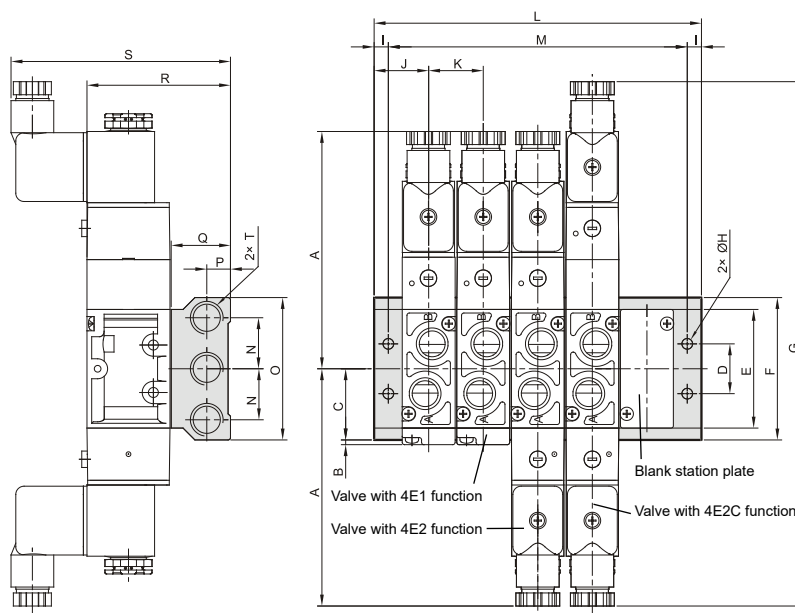
Type 5/2 and 5/3 with double solenoid:



Series	Function	A	B	C	D	E	F	G	H	I	J	K	L	M	N	O	P	Q	R	Weight [kg]
220	4E1	G1/4"	G1/8"	132	118,5	67	22,3	35	36	21	4,2	7	20	3,2	17	38	3	22	13	0,20
	4E2	G1/4"	G1/8"	200	173	67	22,3	35	36	21	4,2	7	20	3,2	17	38	3	—	—	0,29
	4E2C/P/R	G1/4"	G1/8"	221	194	67	22,3	35	36	21	4,2	7	20	3,2	17	38	3	—	—	0,34
300	4E1	G3/8"	G3/8"	159	145,5	73	30	46,4	52	30	5,5	4,7	26	4,5	23	13	0	32	38,5	0,29
	4E2	G3/8"	G3/8"	228	201	73	30	46,4	52	30	5,5	4,7	26	4,5	23	13	0	—	—	0,39
	4E2C/P/R	G3/8"	G3/8"	247,5	220,5	73	30	46,4	52	30	5,5	4,7	26	4,5	23	13	0	—	—	0,53
460	4E1	G1/2"	G1/2"	170	157	73	30	46,4	58	28	4,5	7	29	4,2	23	72	4,5	36,5	15	0,33
	4E2	G1/2"	G1/2"	238	212	73	30	46,4	58	28	4,5	7	29	4,2	23	72	4,5	—	—	0,45
	4E2C/P/R	G1/2"	G1/2"	257,5	231,5	73	30	46,4	58	28	4,5	7	29	4,2	23	72	4,5	—	—	0,55

**Dimensions of manifold assemblies of valves series MVSC a MVAA**

Series	Value	Number of positions								
		2	3	4	5	6	7	8	9	10
220	L	69	92	115	138	161	184	207	230	253
	M	57	80	103	126	149	172	195	218	241
	Weight [kg]	0,20	0,26	0,32	0,38	0,46	0,52	0,60	0,62	0,68
300	L	81	112	143	174	205	236	267	298	329
	M	71	102	133	164	195	226	257	288	319
	Weight [kg]	0,25	0,35	0,44	0,54	0,64	0,74	0,83	0,84	0,92
460	L	81	112	143	174	205	236	267	298	329
	M	71	102	133	164	195	226	257	288	319
	Weight [kg]	0,39	0,53	0,68	0,82	0,97	1,11	1,26	1,40	1,55


**Spare coils for series 220/300/460**

Order codes	Voltage	Power input
PMVSC220-COD12	12V DC	3,1 W
PMVSC220-COD24	24V DC	2,5 W
PMVSC220-COA24	24V 50-60 Hz	5,8 VA
PMVSC220-COA110	110V 50-60 Hz	4,9 VA
PMVSC220-COA220	230V 50-60 Hz	5,0 VA

Series	A	B	C	D	E	F	G	H	I	J	K	N	O	P	Q	R	S	T
220	100	2	30	21	50	60	221	4,5	6	23	23	21,5	60	10	25	60,5	92,5	G1/4"
300	114	3	42	30	74	84	281,4	4,5	5	25	31	30,5	84	12	27	73,9	100,2	G3/8"
460	119	3	48	30	86	96	291,4	4,5	5	25	31	29	96	13	30	76,9	103	G1/2"

# SOLENOID ACTUATED VALVES SERIES MVSE



This valve series that complement favorite MVSC series with their parameters, over which they can handle up to 1.2 MPa. Other parameters, such as power consumption and flow, are the same or similar. The MVSE series is indirectly controlled. All 5/2 with one or two coils and 5/3 with medium closed, ventilated and under pressure (5/3 not available for MVSE-500) are available. The valves can be used directly or can be mounted on a manifold.

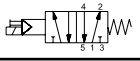
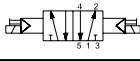
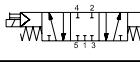
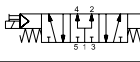
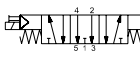
This valve series contains rubber gaskets.

Series	MVSE 260	MVSE 300	MVSE 500
Ports	G1/4" (G1/8" for exhaust port 3 and 5)	G3/8"	G1/2"
Flow capacity [NI/min]	980, or 860 for function 5/3	1905	2180
Working pressure [MPa]	0,2 to 1,2 or 0,3 to 1,2 for function 5/3		
Power input [W, VA]	2,5W for DC voltage, 6/4,9VA for AC voltage (inrush/hold)		
Response time [ms]	40, or 35 for function 5/3	50	50
Coil voltage tolerance	±10%		
Temperature range [°C]	ambient temperature -5 to +50		
Enclosure	IP65 with sealed and fastened connector		

## Order codes

### PMVSE 300 4E2C A220

Size	
260	series MVSE 260, thread G1/4"
300	series MVSE 300, thread G3/8"
500	series MVSE 500, thread G1/2"

Function		
4E1		5/2 monostable (with 1 coil)
4E2		5/2 bistable (with 2 coils)
4E2C*		5/3 with closed centre position
4E2C*		5/3 with pressure centre position
4E2C*		5/3 with exhaust centre position

Voltage	
D24	24 V DC ± 10%
A220	230 V AC ± 10%, 50-60 Hz
A24	24 V AC ± 10%, 50-60 Hz

**i** Supply contain connector(s).

\*) Not for MVSE-500

## Order codes of manifolds

### PMVSE 260 - 5B 4

Size	
260	series MVSE 260, thread G1/4"
300	series MVSE 300, thread G3/8"
500	series MVSE 500, thread G1/2"

Number of positions	
2 to 10	for 2 to 10 valves

Order codes for blank station plates:

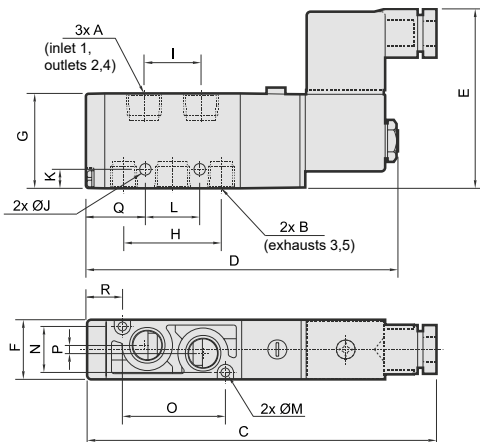
Series	Order codes
260	PMVSE 260 -5P
300	PMVSE 300 -5P
500	PMVSE 500 -5P

It is possible to mount series MVSE valves on manifold with predefined number of position. It isn't possible to add another position to created assembly - it could be necessary to replace manifold or create another manifold. If there is possibility that more valves will be needed in future, we recommend to use manifold with more positions and use blocking plates for unused positions. Valves are mounted to manifold directly - no adaptor is necessary. Valves mounted on manifold could be unmounted separately by unscrew of 2 bolts, which are accessible from top side (side with ports 2 and 4 of valves). Each separate coil must be wired with separate electrical cable.

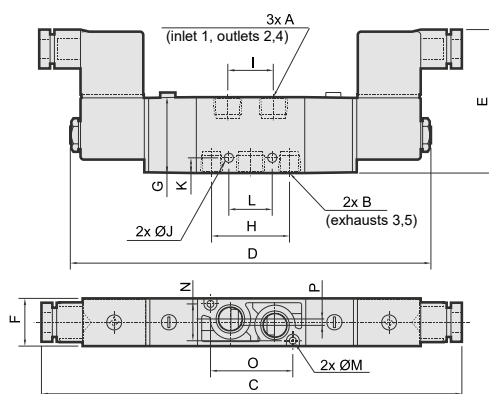


**Dimensions of valve series MVSE**

Type 5/2 with single solenoid:



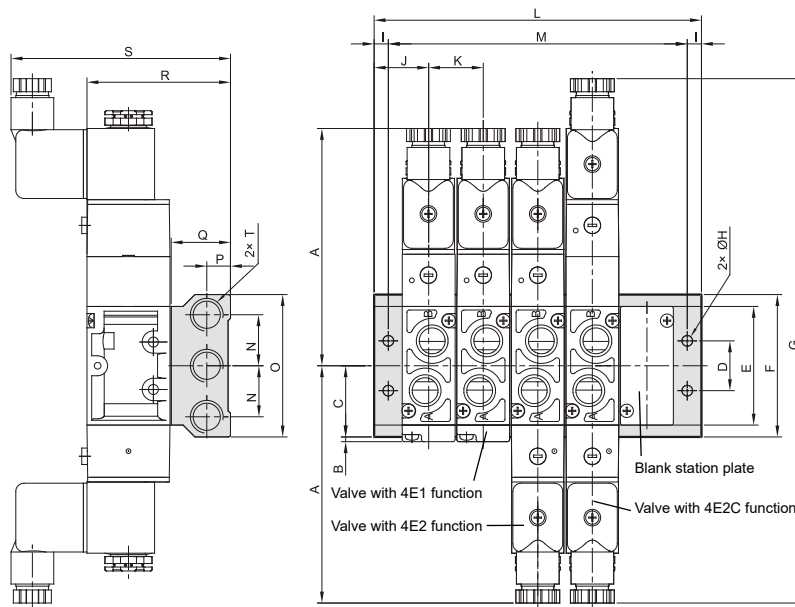
Type 5/2 and 5/3 with double solenoid:



Series	Function	A	B	C	D	E	F	G	H	I	J	K	L	M	N	O	P	Q	R	Weight [kg]
260	4E1	G1/4"	G1/8"	131,5	118	66	26,4	35,3	37	21	4,2	7	20	4,2	21	10	0	21,5	26,5	0,26
	4E2	G1/4"	G1/8"	200	173	66	26,4	35,3	37	21	4,2	7	20	4,2	21	10	0	—	—	0,35
	4E2C/P/R	G1/4"	G1/8"	216	189	66	26,4	35,3	37	21	4,2	7	20	4,2	21	10	0	—	—	0,41
300	4E1	G3/8"	G3/8"	156,5	145,5	72	30	46,4	52	30	4,5	4,7	26	3,2	25	60	0	32	15	0,41
	4E2	G3/8"	G3/8"	223	201	72	30	46,4	52	30	4,5	4,7	26	3,2	25	60	0	—	—	0,51
	4E2C/P/R	G3/8"	G3/8"	242,2	220	72	30	46,4	52	30	4,5	4,7	26	3,2	25	60	0	—	—	0,58
500	4E1	G1/2"	G1/2"	168,5	157,5	73	30	50	58	27	4,5	8,8	29	4,2	23	72	4,5	36,5	15	0,45
	4E2	G1/2"	G1/2"	235	213	73	30	50	58	27	4,5	8,8	29	4,2	23	72	4,5	—	—	0,55

**Dimensions of manifold assemblies of valves series MVSE**

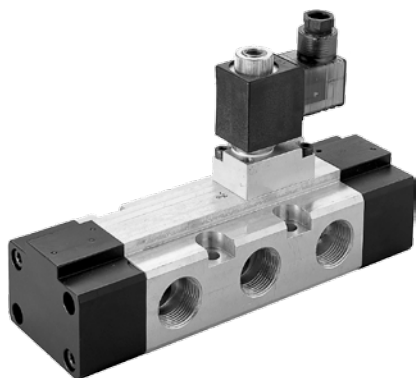
Series	Value	Number of positions									
		2	3	4	5	6	7	8	9	10	
260	L	74	101	128	155	182	209	236	263	290	
	M	64	91	118	145	172	199	226	253	280	
	Weight [kg]	0,22	0,30	0,39	0,47	0,55	0,63	0,72	0,80	0,88	
300	L	81	112	143	174	205	236	267	298	329	
	M	71	102	133	164	195	226	257	288	319	
	Weight [kg]	0,24	0,33	0,42	0,51	0,60	0,68	0,76	0,84	0,93	
500	L	81	112	143	174	205	236	267	298	329	
	M	71	102	133	164	195	226	257	288	319	
	Weight [kg]										


**Spare coils for series 260/300/500**

Order codes	Voltage	Power input
PMVSE260-COD24	24V DC	2,0 W
PMVSE260-COA24	24V 50-60 Hz	5,4 VA
PMVSE260-COA220	230V 50-60 Hz	4,9 VA

Series	A	B	C	D	E	F	G	H	I	J	K	N	O	P	Q	R	S	T
260	100	1,5	30	21	50	60	216	4,5	5	23,5	27	21,5	60	10	25	60,3	90,7	G1/4"
300	111,5	3	42	30	74	84	242,2	4,5	5	25	31	30,5	84	12	27	73,9	98,7	G3/8"
500	117,5	3	48	30	86	96	—	4,5	5	25	31	30	96	13	30	80	103	G1/2"

# SOLENOID ACTUATED VALVES SERIES MVSE



The new valve series, which continues with parameters the series MVSC. They are suitable for large diameter cylinders actuating. Valves series MVSE are solenoid pilot actuated. The product range covers functions 5/2 single or double solenoid. Connector and coil are included in delivery.

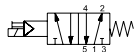
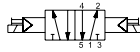
This valve series contains rubber gaskets.

Series	MVSE 510	MVSE 600	MVSE 600
Ports	G1/2"	G3/4"	G1"
Flow capacity [Nl/min]	3400	4600	4800
Working pressure [MPa]	0,2 to 0,7		
Power input [W, VA]	10W for DC voltage, 13/11VA for AC voltage (inrush/hold)		
Response time [ms]	60	80	80
Coil voltage tolerance	±10%		
Temperature range [°C]	ambient temperature -5 to +50		
Enclosure	IP65 with sealed and fastened connector		

## Order codes

PMVSE 600 42 20 D24

Size	
510	series MVSE 510
600	series MVSE 600

Function	
41	 5/2 monostable (with 1 coil)
42	 5/2 bistable (with 2 coils)

Thread	
15	G1/2" for series 510
20	G3/4" for series 600
25	G1" for series 600

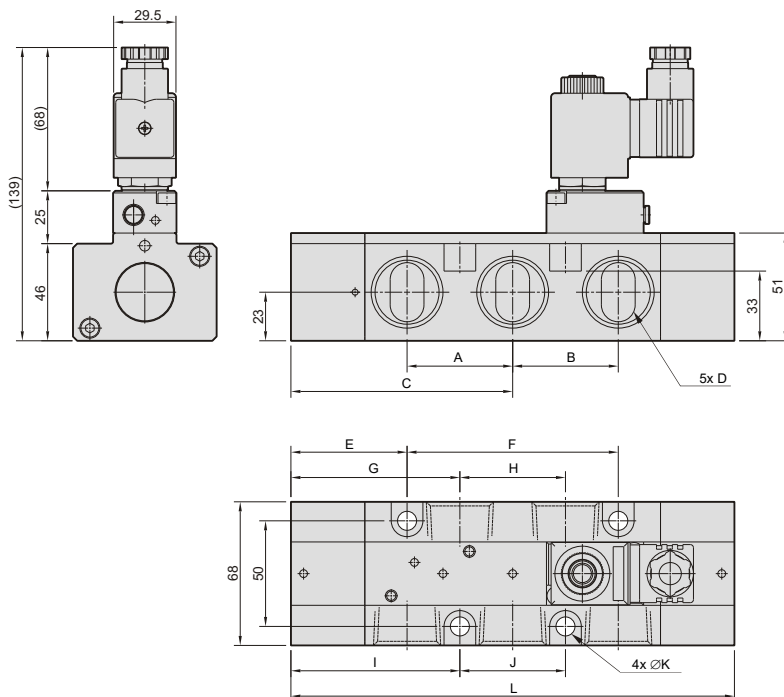
Voltage	
D24	24 V DC ± 10%
A220	230 V AC ± 10%, 50-60 Hz

**i** Supply contain connector(s).

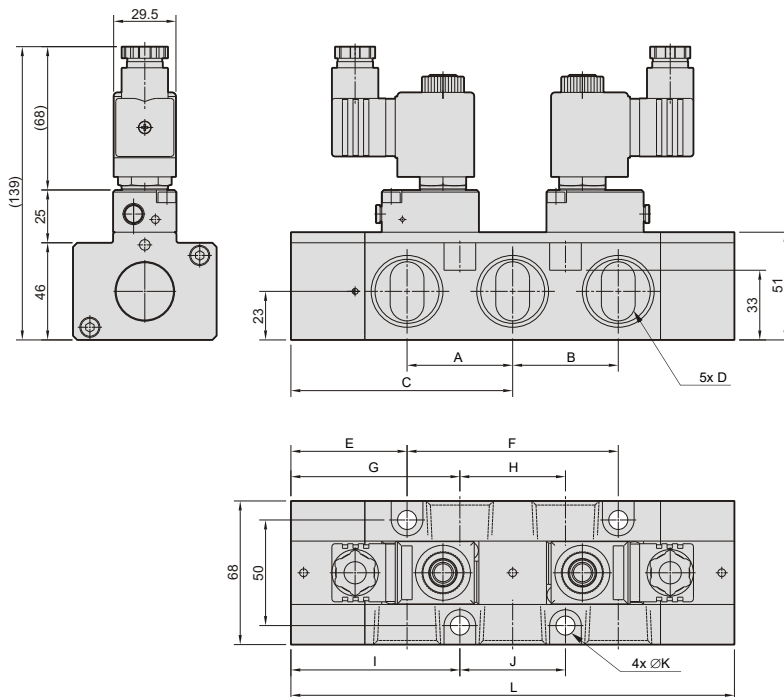


**Dimensions of valve series MVSE**

Type 5/2 with single solenoid:



Type 5/2 with double solenoid:



Series	Function	A	B	C	D	E	F	G	H	I	J	K	L	Weight [kg]
510	41	32	32	77,5	G1/2"	45,5	64	61,5	32	61,5	32	9	155	1,52
	42	32	32	77,5	G1/2"	45,5	64	61,5	32	61,5	32	9	155	1,81
600	41	50	50	105	G3/4" or G1"	55	100	80	50	80	50	9	210	1,82
	42	50	50	105	G3/4" or G1"	55	100	80	50	80	50	9	210	2,10

**Spare coils for series 510/600**

Order codes	Voltage
PMVSE510-COD24	24V DC
PMVSE510-COA110	110V 50-60 Hz
PMVSE510-COA220	230V 50-60 Hz

# SOLENOID ACTUATED VALVES SERIES MVSN



Valve series with connection according to NAMUR (VDI / VDE 3845)  
The MVSN series is indirectly controlled. All 5/2 with one or two coils and 5/3 with medium closed, ventilated and under pressure are available. Version 3/2 can be made using an adapter that is ordered separately. Using the connection plate, the valve can be mounted directly on the cylinder inlet. A connector is also included.

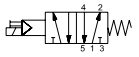
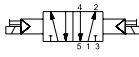
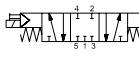
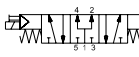

This valve series contains rubber gaskets.

Series	MVSN 300
Ports	G1/4" (NAMUR for outlet 2 and 4)
Flow capacity [Nl/min]	1905, or 1630 for function 5/3
Working pressure [MPa]	0,2 to 0,8 or 0,3 to 0,8 for function 5/3
Power input [W, VA]	2W for DC voltage, 6/4,9VA (230V) or 4,8/4,4 (24V) for AC voltage (inrush/hold)
Response time [ms]	50
Coil voltage tolerance	±10%
Temperature range [°C]	ambient temperature -5 to +50
Enclosure	IP65 with sealed and fastened connector
Weight [kg]	0,42 for 5/2 1 coil, 0,51 for 5/2 2 coils, 0,76 for 5/3

## Order codes

### PMVSN 300 4E2C A220

Size	
300	series MVSN 300, thread G1/4" and NAMUR

Function		
4E1		5/2 monostable (with 1 coil)
4E2		5/2 bistable (with 2 coils)
4E2C		5/3 with closed centre position
4E2C		5/3 with pressure centre position
4E2C		5/3 with exhaust centre position

Voltage	
D24	24 V DC ± 10%
A220	230 V AC ± 10%, 50-60 Hz
A24	24 V AC ± 10%, 50-60 Hz

**i** Supply contain connector(s).

## Accessories

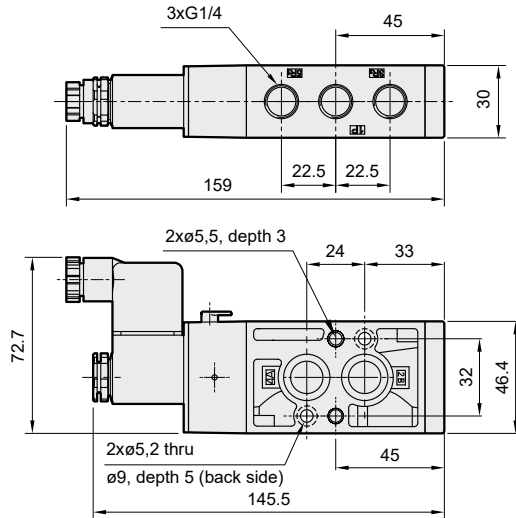
Description	Order codes
Adapter for making of 3/2 function (from 4E1)	PMVSN 300 -A
Connection plate for mounting the valve on cylinder inlet	PMVSN 300 -C

## Spare coils

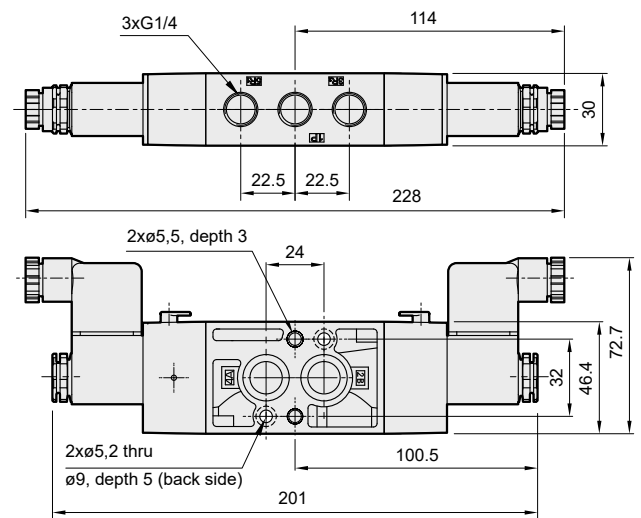
Order codes	Voltage	Power input
PMVSE260-COD24	24V DC	2,0 W
PMVSE260-COA24	24V 50-60 Hz	5,4 VA
PMVSE260-COA220	230V 50-60 Hz	4,9 VA

**Dimensions of valve series MVSN**

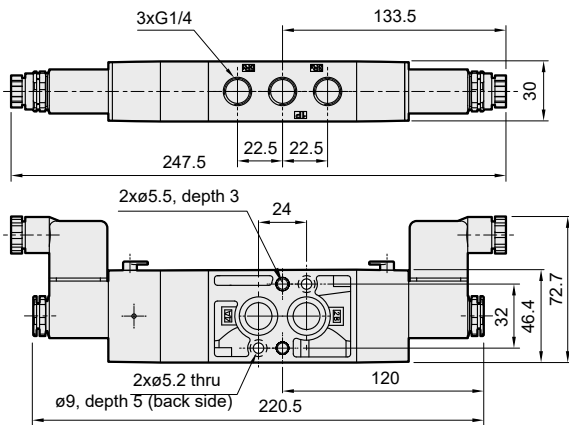
Type 5/2 with one coil:



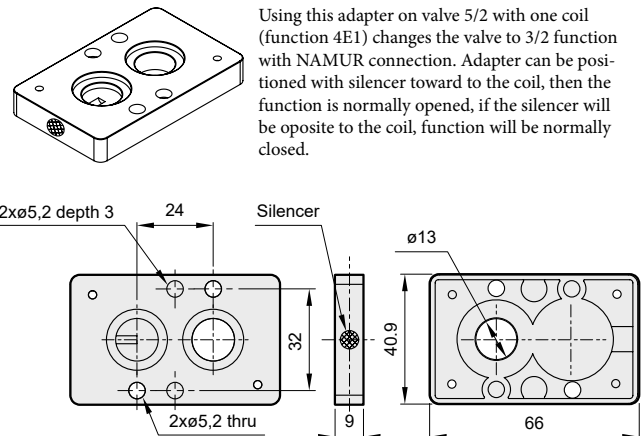
Type 5/2 with two coils:



Type 5/3:

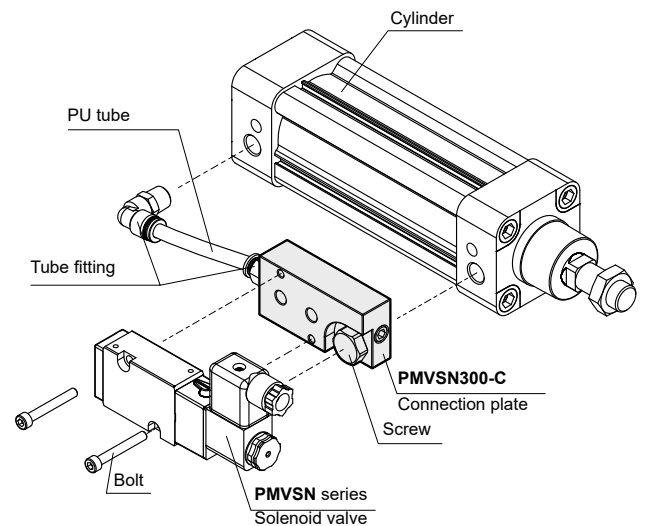
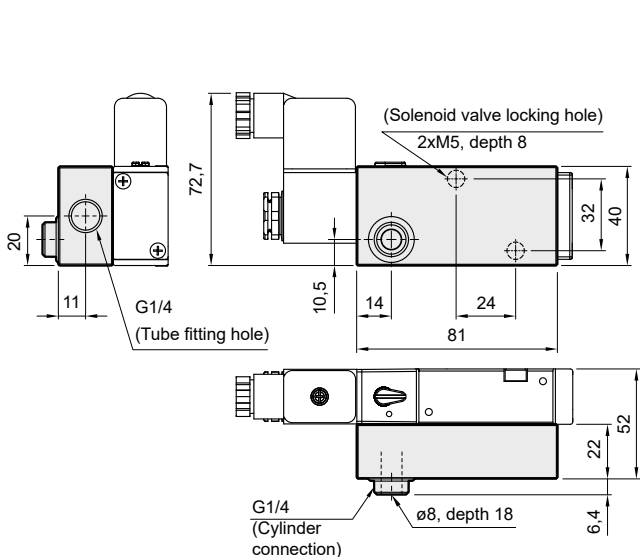


Adapter for making of 3/2 function - PMVSN 300 - A:



Using this adapter on valve 5/2 with one coil (function 4E1) changes the valve to 3/2 function with NAMUR connection. Adapter can be positioned with silencer toward to the coil, then the function is normally opened, if the silencer will be opposite to the coil, function will be normally closed.

Connection plate for mounting the valve on cylinder inlet PMVSN 300 -C:










Popular series of solenoid pilot actuated valve, which offers high flow capacity and long lifetime due to robust coil. Valves can be used as stand-alone or they can be mounted on manifolds. Valve can be delivered with position sensing switch on request.

Valves series L1/L2 contains spool and sleeve assembly, which guarantee long lifetime of valve.

Series	L1		L2	
	L11	L12	L22	L23
Ports	G1/8"	G1/4"	G1/4"	G3/8"
Connection of external pressure supply port	M5	M5	G1/8"	G1/8"
Flow capacity [Nl/min]	1000	1000	1700	1700
Working pressure [MPa]	0,1 to 1,0 (vacuum to 2,1 MPa when external pilot supply is used)			
Pilot pressure range [MPa]	0,1 to 1,0			
Power input [W, VA]	3,35W for DC voltage, 10VA inrush and 7VA hold for AC voltage			
Response time for DC voltage [ms]	10 energize, 35 de-energize			
Response time for AC voltage [ms]	7 energize, 35 de-energize			
Temperature range [°C]	medium temperature max. 50, ambient temperature -20 to +80			
Enclosure	IP65 with sealed and fastened connector			

## Order codes

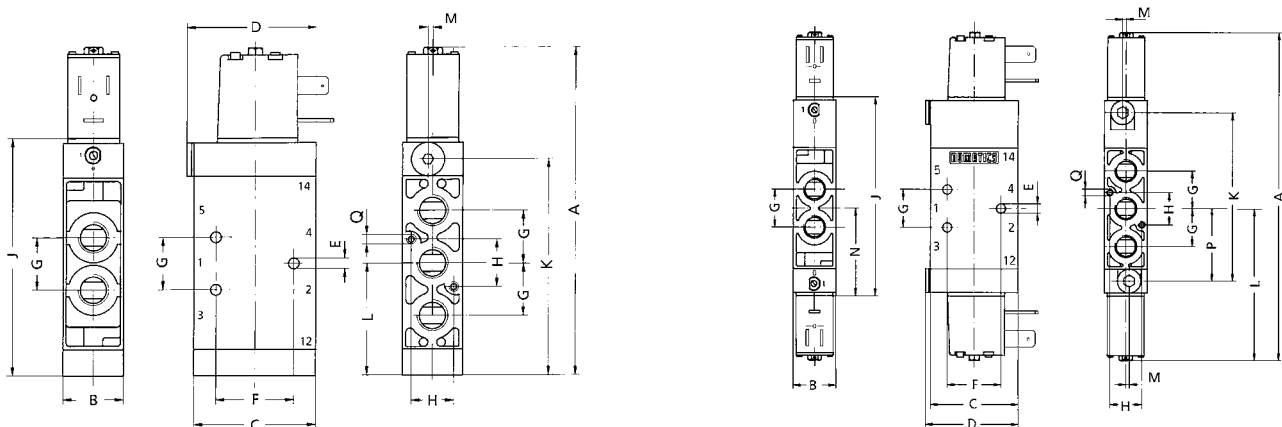
NL22 BA4 52 B G 000 61

Size		Function		Coil type		Options		Voltage	
NL11	series L1 thread G1/8"	BA4		0	standard, typ 22 for AC voltage	000	standard with turning manual override	61	24 V DC ± 10%
NL12	series L1 thread G1/4"	BB4		B	standard, typ 22 for DC voltage	17P	with non-locking manual override	40	230 V AC ± 10% 50-60 Hz
NL22	series L2 thread G1/4"	BB5				14A	with external pilot supply	30	110 V AC ± 10% 50-60 Hz
NL23	series L2 thread G3/8"	BB6				15Z	solenoid rotated by 180°	20	24 V AC ± 10% 50-60 Hz
		BB7				17G	low wattage coil 1,42W (only for DC voltage, max. pressure 0,8 MPa)		

Other options are available - please contact our technical dept.

**i** For connectors for valves see page 5-46.

**i** For information about manifold assembly see page 5-14.

**Dimensions of valve series L1/L2**


Series	Function	A	B	C	D	E	F	G	H	J	K	L	M	N	P	Q	Weight [kg]
L1	BA4	123,2	22,2	41,1	41,1	3,3	24,4	18	18	84,5	73,6	38	0	—	—	M3, depth 12	0,27
L1	BB4	179,4	22,2	41,1	41,1	3,3	24,4	18	18	103,6	81,7	85	0	46	36	M3, depth 12	0,42
L1	BB5/6/7	190	22,2	41,1	41,1	3,3	24,4	18	18	114	92,2	95	0	57	46	M3, depth 12	0,44
L2	BA4	136,6	25,4	50,8	54,5	4,3	32,3	22,2	22,2	99	89,7	47	2,1	—	—	M4, depth 7	0,39
L2	BB4	193,5	25,4	50,8	54,5	4,3	32,3	22,2	22,2	117,5	99	90,2	2,1	52,2	42,9	M4, depth 7	0,55
L2	BB5/6/7	206,6	25,4	50,8	54,5	4,3	32,3	22,2	22,2	130,6	111,9	103,3	2,1	65,3	56	M4, depth 7	0,60

Notice: use fittings only to max. 14 mm wrench size with series L1, and only to max. 19 mm wrench size with series L2.

**Coils for valve series L1/L2**
**Standard coil type 22**

Order codes	Voltage	Coil type*	Weight [kg]
N226-749	24V DC	B	0,10
N237-568	24V 50-60 Hz	0	0,10
N237-569	110V 50-60 Hz	0	0,10
N237-570	230V 50-60 Hz	0	0,10



\*) See coil type in order code of valve on page 5-12

**Conversion of internal to external air pilot supply of valve series L1 / L2**

External air pilot supply is used, when air supply pressure is lower than 0,18 MPa (1,8 bar) as well as for vacuum and or if another medium than compressed air is used. It is necessary to order valve which is already prepared for this feature or change standard setting (when air pilot supply is drawn from valve supply port 1) in that cases.

When converting from internal to external pilot supply, please proceed as follows:

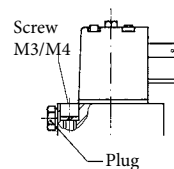
- 1) Unmount connector
- 2) Unscrew two M3 (for L1 series) or M4 (for L2 series) bolts, unmount solenoid mounting plate and insert gasket as shown in picture 2
- 3) Check proper gasket setting, re-mount and fasten solenoid mounting plate (torque approx. 1,5 Nm for L1 series and 2,3 Nm for L2 series), put on connector and fix it
- 4) Unscrew plug on side of valve and connect modified compressed air with pressure 1 to 10 bar

**Picture 1**  
Position of gasket for internal pilot supply



Orifice for internal pilot supply of port 1

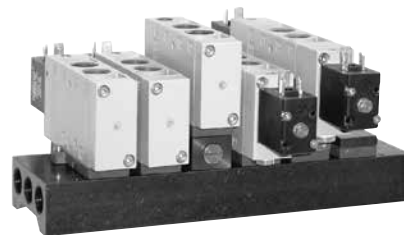
**Picture 2**  
Position of gasket for external pilot supply



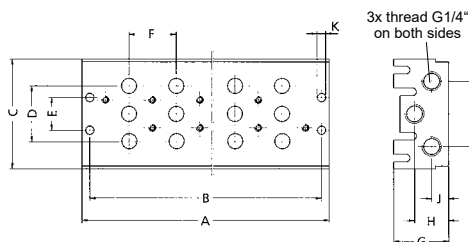
## Series L1 / L2 valves manifold assembly

It is possible to mount series L valves on manifold with predefined number of position. It isn't possible to add another position to created assembly - it could be necessary to replace manifold or create another manifold. If there is possibility that more valves will be needed in future, we recommend to use manifold with more positions and use blank station plate for unused positions.

Any valve series L1/L2 may be used for manifold assembly (it doesn't matter if valve is single or double solenoid actuated or air actuated). But it is necessary to use adaptor, which must be mounted between valve and manifold (there is different adaptor for valve series L1 and L2). Valves mounted on manifold could be unmounted separately by unscrew of 2 bolts, which are accessible from top side (side with ports 2 and 4 of valves).



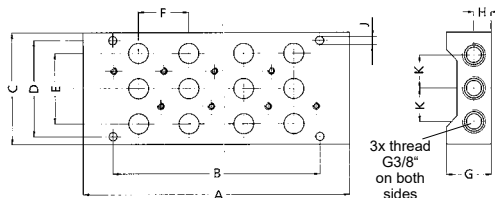
## Manifolds for valves series L1



Order codes	Number of positions	A	B	C	D	E	F	G	H	J	K	L	Weight [kg]
N106-540	2	88,5	78,5	70,6	36	21	30,5	35,5	22	11	5,3	42	0,41
N106-541	3	119	109	70,6	36	21	30,5	35,5	22	11	5,3	42	0,55
N106-542	4	149,5	139,5	70,6	36	21	30,5	35,5	22	11	5,3	42	0,69
N106-543	5	180	170	70,6	36	21	30,5	35,5	22	11	5,3	42	0,83
N106-544	6	210,5	200,5	70,6	36	21	30,5	35,5	22	11	5,3	42	0,97
N106-545	7	241	231	70,6	36	21	30,5	35,5	22	11	5,3	42	1,12
N106-546	8	271,5	261,5	70,6	36	21	30,5	35,5	22	11	5,3	42	1,26
N106-547	9	302	292	70,6	36	21	30,5	35,5	22	11	5,3	42	1,40
N106-548	10	332,5	322,5	70,6	36	21	30,5	35,5	22	11	5,3	42	1,54
N106-549	11	363	353	70,6	36	21	30,5	35,5	22	11	5,3	42	1,68
N106-550	12	393,5	383,5	70,6	36	21	30,5	35,5	22	11	5,3	42	1,82

Order codes	Application
N239-311	Adaptor plate (1 plate per station)
N239-288	Blank station plate

## Manifolds for valves series L2



Order codes	Number of positions	A	B	C	D	E	F	G	H	J	K	Weight [kg]
N106-715	2	105,4	67	70,5	63,4	44,4	32	30,6	12,4	4,1	22,2	0,41
N106-716	3	137,4	99,4	70,5	63,4	44,4	32	30,6	12,4	4,1	22,2	0,54
N106-717	4	169,4	131,4	70,5	63,4	44,4	32	30,6	12,4	4,1	22,2	0,67
N106-718	5	201,4	163,4	70,5	63,4	44,4	32	30,6	12,4	4,1	22,2	0,80
N106-719	6	233,4	195,4	70,5	63,4	44,4	32	30,6	12,4	4,1	22,2	0,94
N106-720	7	265,4	227,4	70,5	63,4	44,4	32	30,6	12,4	4,1	22,2	1,06
N106-721	8	297,4	259,4	70,5	63,4	44,4	32	30,6	12,4	4,1	22,2	1,19
N106-722	9	329,4	291,4	70,5	63,4	44,4	32	30,6	12,4	4,1	22,2	1,32
N106-723	10	361,4	323,4	70,5	63,4	44,4	32	30,6	12,4	4,1	22,2	1,45
N106-724	11	393,4	355,4	70,5	63,4	44,4	32	30,6	12,4	4,1	22,2	1,58
N106-725	12	425,4	387,4	70,5	63,4	44,4	32	30,6	12,4	4,1	22,2	1,71

Order codes	Application
N239-312	Adaptor plate (1 plate per station)
N239-471	Blank station plate
N10.6445	Valve isolating plate to lock port 1
N239-209	Sandwich speed control






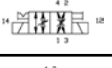
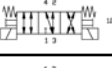


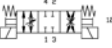
Small, direct solenoid actuated valve 4/2 and 4/3 is due to its compact dimensions suitable for applications, where isn't room for standard valves and where not high flow capacity is required. Valves can be used as standalone or they can be mounted on manifolds. Valves can be delivered with NPTF ports.

Valves series L01 contains spool and sleeve assembly, which guarantee long lifetime of valve.

Series	L01
Ports	G1/8"
Flow capacity [Nl/min]	200
Working pressure [MPa]	vacuum to 1,0
Power input [W, VA]	6W for DC voltage, 10VA inrush and 6VA hold for AC voltage
Response time for DC voltage [ms]	12 energize, 6 de-energize
Response time for AC voltage [ms]	8 energize, 10 de-energize, or 10/12 for 4/3 function
Temperature range [°C]	medium temperature max. 50, ambient temperature -20 to +80

### Order codes

**NL01 SS459 4 G 000 61**

Size		Function		Coil type		Options		Voltage	
NL01	series L01 thread G1/8"	SA459		2	standard, typ 22 for AC voltage	000	standard with non-locking manual override	61	24 V DC ± 10%
		SA487*		4	standard, typ 22 for DC voltage			40	230 V AC ± 10% 50-60 Hz
		SS459		0	type 22 for AC voltage with cable 0,45 m			30	110 V AC ± 10% 50-60 Hz
		SS487*		B	type 22 for DC voltage with cable 0,45 m			20	24 V AC ± 10% 50-60 Hz
		SS559							
		SS587*							
		SS659							
		SS687*							

\*) with built-in speed control valve

Other options are available - please contact our technical dept.

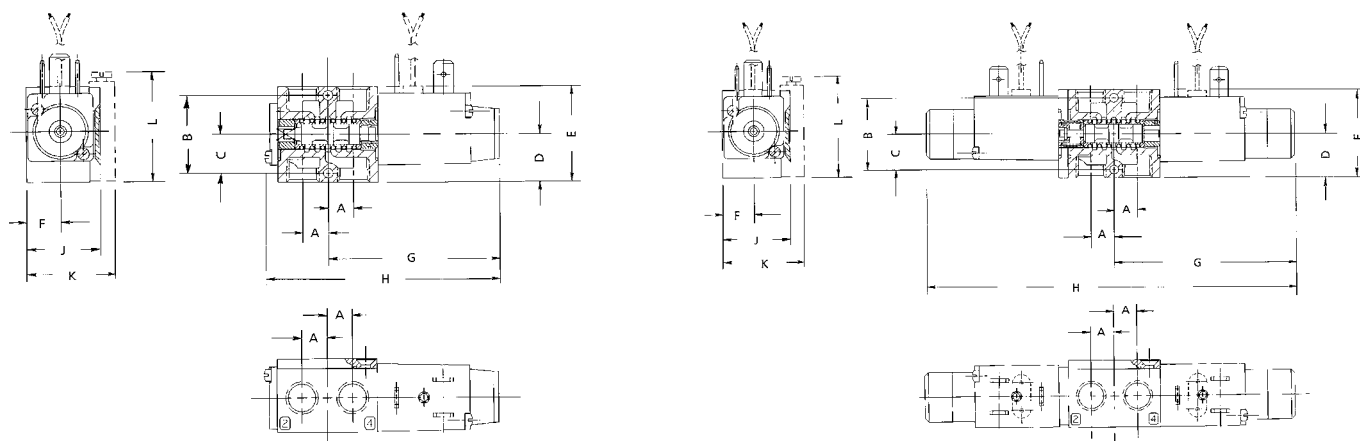
**i** For connectors for valves see pages 5-46 and 5-47.



# SOLENOID ACTUATED VALVES

## SERIES L01 - DIRECT SOLENOID ACTUATED

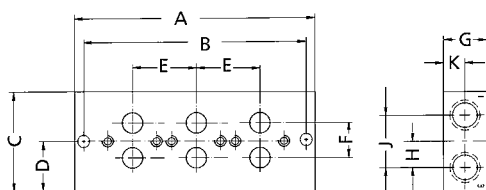
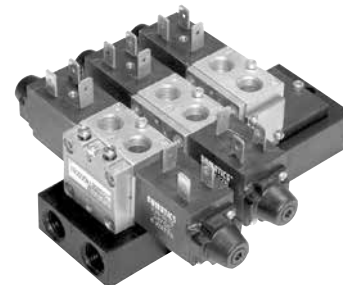
### Dimensions of valve series L01



Function	A	B	C	D	E	F	G	H	J	K	L	Weight [kg]
SA459	7,9	24,6	12,5	15	30,2	10,7	53,8	73,6	22,9	—	—	0,17
SA487	7,9	24,6	12,5	15	30,2	10,7	53,8	73,6	22,9	27,4	34,3	0,21
SS459	7,9	24,6	12,5	15	30,2	10,7	53,8	107,7	22,9	—	—	0,23
SS487	7,9	24,6	12,5	15	30,2	10,7	53,8	107,7	22,9	27,4	34,3	0,27
SS559	7,9	24,6	12,5	15	30,2	10,7	53,8	107,7	22,9	—	—	0,24
SS587	7,9	24,6	12,5	15	30,2	10,7	53,8	107,7	22,9	27,4	34,3	0,28
SS659	7,9	24,6	12,5	15	30,2	10,7	53,8	107,7	22,9	—	—	0,24
SS687	7,9	24,6	12,5	15	30,2	10,7	53,8	107,7	22,9	27,4	34,3	0,28

### Series L01 valves manifold assembly

It is possible to mount series L01 valves on manifold with predefined number of position. It isn't possible to add another position to created assembly - it could be necessary to replace manifold or create another manifold. If there is possibility that more valves will be needed in future, we recommend to use manifold with more positions and use blank station plate for unused positions. Any valve series L01 may be used for manifold assembly (it doesn't matter if valve is single or double solenoid actuated or air actuated). But it is necessary to use adaptor, which must be mounted between valve and manifold. Valves mounted on manifold could be unmounted separately by unscrew of 2 bolts., which are accessible from top side (side with ports 2 and 4 of valves).



Order codes	Application
N239-582	Adaptor plate (1 plate per station)
N239-583	Blank station plate
N239-581	Sandwich speed control

Order codes	Number of positions	A	B	C	D	E	F	G	H	J	K	Weight [kg]
N106-833	2	72,2	64,3	42,9	21,3	27,9	15,7	19	11,4	23,1	9,5	0,12
N106-834	3	100	92,1	42,9	21,3	27,9	15,7	19	11,4	23,1	9,5	0,16
N106-835	4	127,8	119,9	42,9	21,3	27,9	15,7	19	11,4	23,1	9,5	0,20
N106-836	5	155,7	147,8	42,9	21,3	27,9	15,7	19	11,4	23,1	9,5	0,25
N106-837	6	184,3	175,6	42,9	21,3	27,9	15,7	19	11,4	23,1	9,5	0,29
N106-838	7	211,4	203,4	42,9	21,3	27,9	15,7	19	11,4	23,1	9,5	0,34
N106-839	8	239,2	231,3	42,9	21,3	27,9	15,7	19	11,4	23,1	9,5	0,38
N106-840	9	267	259,1	42,9	21,3	27,9	15,7	19	11,4	23,1	9,5	0,43
N106-841	10	294,9	286,9	42,9	21,3	27,9	15,7	19	11,4	23,1	9,5	0,47
N106-842	11	322,7	314,8	42,9	21,3	27,9	15,7	19	11,4	23,1	9,5	0,52
N106-843	12	350,5	342,6	42,9	21,3	27,9	15,7	19	11,4	23,1	9,5	0,56

Note: Inlet/outlet ports in manifold are G1/4" threaded and they are through the manifold (on both sides).






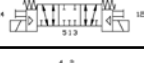

Series Compact is appear from classic ISO valves, but they are cheaper and offer higher flow capacity. Air pilot is used for valve actuating, so it is indirect actuated valve. Valves must be mounted on sub-bases with dimensions according to ISO standard. Coil can be turned so that it will serve the purpose. Valves can be use as standalone with individual base or they can be mounted on manifolds.

Valves series ISO 5599/1 Compact contains spool and sleeve assembly, which guarantee long lifetime of valve.

Series	ISO 1 Compact	ISO 2 Compact	ISO 3 Compact
Flow capacity [Nl/min]	1400	2800	4200
Working pressure [MPa]	0,1 to 1,0 , or 0,1 to 1,6 (for pilot type 190) (vacuum to 1,6 MPa when external air pilot supply type 190 is used)		
Pilot pressure range [MPa]	0,1 to 1,0 , or 0,1 to 1,6 (for pilot type 190)		
Power input for pilot type 189 [W, VA]	2,5W for DC voltage, 6VA inrush and 3,5VA hold for AC voltage		
Power input for pilot type 190 [W, VA]	3W for DC voltage, 9VA inrush and 4VA hold for AC voltage		
Response time energize / de-energize [ms]	15 / 35	20 / 35	20 / 90
Temperature range [°C]	ambient temperature -10 to +60		

### Order codes

**NC23 BA4 00 18910 61**

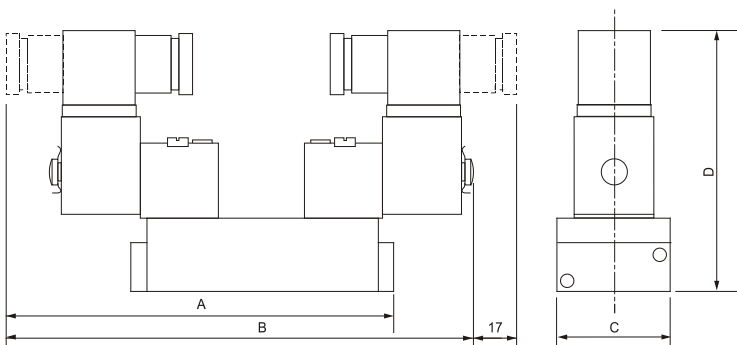
Size		Function		Pilot valve type		Voltage	
NC12	series ISO 1 Compact	BA4		18910	standard, type 189, with locking manual override, 0,1 to 1,0 MPa, connector type 22	60	12 V DC ± 10%
NC23	series ISO 2 Compact	BB4		19016	type 190, with locking manual override, 0,1 to 1,6 MPa, connector DIN 43650, form A type 30	61	24 V DC ± 10%
NC34	series ISO 3 Compact	BB5				40	230 V AC ± 10% 50 Hz
		BB6				30	110 V AC ± 10% 50 Hz
		BB7*				20	24 V AC ± 10% 50 Hz

\*) Not for series ISO 2 Compact

**i** For connectors for valves see page 5-46.

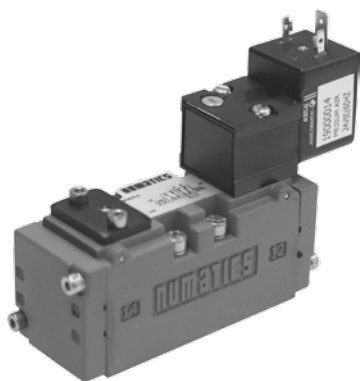
**i** For spare coils and pilots see page 5-19.

### Dimensions



Series	Function	A	B	C	D	Weight [kg]
ISO 1 Compact	BA	136	—	42	102	0,50
	BB	—	168	42	102	0,60
ISO 2 Compact	BA	149	—	50,8	104,6	0,70
	BB	—	169	50,8	104,6	0,80
ISO 3 Compact	BA	179	—	63,5	114	1,10
	BB	—	196,7	63,5	114	1,26

# SOLENOID ACTUATED VALVES SERIES ISO 5599/1






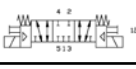

The most common type of air pilot solenoid actuated valve, which is designed for use with sub-bases. Coil of air pilot actuated valve can be turned so that it will serve the purpose. Valves can be used as standalone with individual base or they can be mounted on manifolds.

Valves series ISO 5599/1 contains spool and sleeve assembly, which guarantee long lifetime of valve.

Series	ISO 1	ISO 2	ISO 3
Flow capacity [Nl/min]	1400	2800	4200
Working pressure [MPa]	0,1 to 1,0 , or 0,1 to 1,6 (for pilot type 190) (vacuum to 1,6 MPa when external air pilot supply type 190 is used)		
Pilot pressure range [MPa]	0,1 to 1,0 , or 0,1 to 1,6 (for pilot type 190)		
Power input for pilot type 189 [W, VA]	2,5W for DC voltage, 6VA inrush and 3,5VA hold for AC voltage		
Power input for pilot type 190 [W, VA]	3W for DC voltage, 9VA inrush and 4VA hold for AC voltage		
Response time energize / de-energize [ms]	15 / 35	20 / 35	20 / 90
Temperature range [°C]	ambient temperature -10 to +60		

## Order codes

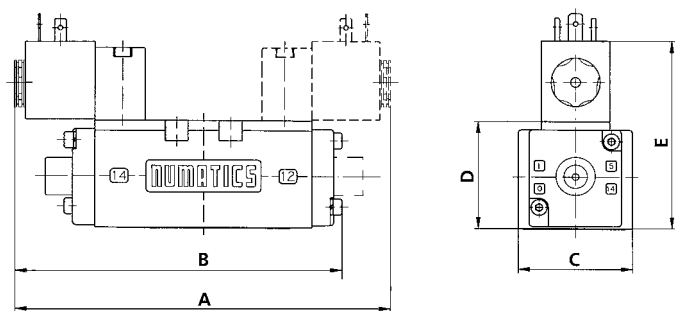
**NI23 BA4 00 18910 61**

Size		Function		Pilot valve type		Voltage	
NI12	series ISO 1	BA4		18910	standard, type 189, with locking manual override, 0,1 to 1,0 MPa, connector type 22	60	12 V DC ± 10%
NI23	series ISO 2	BB4				61	24 V DC ± 10%
NI34	series ISO 3	BB5		19016	type 190, with locking manual override, 0,1 to 1,6 MPa, connector DIN 43650, form A type 30	40	230 V AC ± 10% 50 Hz
		BB6				30	110 V AC ± 10% 50 Hz
		BB7*				20	24 V AC ± 10% 50 Hz

\*) Not for series ISO 2

**i** For connectors for valves see page 5-46.

## Dimensions



Series	Function	A	B	C	D	E	Weight [kg]
ISO 1	BA/BW	—	143	42	48	83	0,70
ISO 1	BB	172	—	42	48	83	0,80
ISO 2	BA/BW	—	155	50	48	83	0,80
ISO 2	BB	183	—	50	48	83	1,00
ISO 3	BA/BW	—	180	63,5	60,5	97	1,60
ISO 3	BB	197	—	63,5	60,5	97	1,70

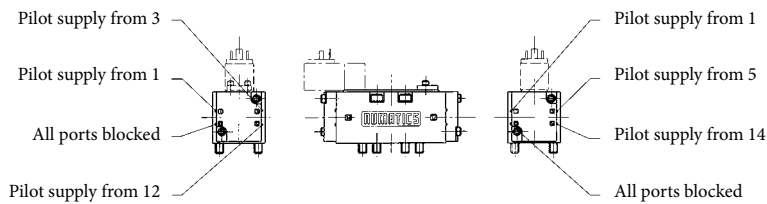
### Conversion of internal to external air pilot supply of valve series ISO 5599/1

External air pilot supply is used, when air supply pressure is lower than 0,1 MPa (1 bar) as well as for vacuum and or if another medium than compressed air is used. It is necessary to order valve which is already prepared for this feature or change standard setting (when air pilot supply is drawn from valve supply port 1) in that cases. If supply air is piped to ports 3 or 5, the valve must be converted too. Please find the correct orientation of gasket for your usage in the table below. This process is valid only for valves series ISO 5599/1.

When converting pilot supply, please proceed as follows:

- 1) Remove the end caps
- 2) Remove gasket and position it so that the tab points toward the appropriate port number
- 3) Check gasket installation and install end caps
- 4) If it is necessary, convert second side of valve too

Picture shows the gasket tab orientation for various cases:



Single solenoid pilot		Gasket tab orientation	
		side 14	side 12
a	internal supply from port 1	1	0
b	internal supply from port 3	0	3
c	internal supply from port 5	5	0
d	external supply from port 12	14	0
e	external supply from port 14	0	12

Double solenoid pilot		Gasket tab orientation	
		side 14	side 12
a	internal supply from port 1	1	1
b	internal supply from port 3	0	3
c	internal supply from port 5	5	0
d	external supply from port 12	14	0
e	external supply from port 14	0	12

### Coils for valve series ISO 5599/1 Compact and ISO 5599/1

#### Coils for pilot valves type 189, for connector type 22

Order codes	Voltage
N43004149	12V DC ± 10%
N43004166	24V DC ± 10%
N43004167	48V DC ± 10%
N43004168	110V DC ± 10%
N43004416	24V 50-60Hz ± 10%
N43004417	48V 50-60Hz ± 10%
N43004419	115V 50-60Hz ± 10%
N43004422	230V 50-60Hz ± 10%
N43004423	240V 50-60Hz ± 10%



#### Coils for pilot valves type 190, for connector DIN 43650, form A, type 30

Order codes	Voltage
N43004469	12V DC ± 10% 24V 50Hz ± 10%
N43004473	24V DC ± 10% 48V 50Hz ± 10%
N43004471	48V DC ± 10% 115V 50Hz ± 10%
N43004472	110V DC ± 10% 230V 50Hz ± 10%



### Pilot valves for valve series ISO 5599/1 Compact and ISO 5599/1

#### Pilot valve type 189

Order code	Working pressure [MPa]
N18990001	0,1 to 1,0

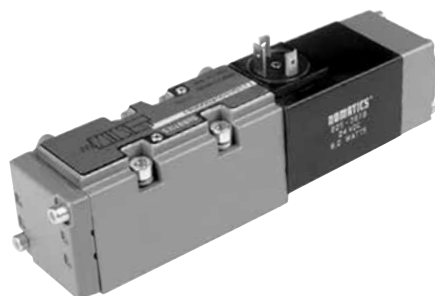


#### Pilot valve type 190

Order code	Working pressure [MPa]
N19069019	0,1 to 1,6



# SOLENOID ACTUATED VALVES SERIES ISO 5599/1- DIRECT SOLENOID ACTUATED



The most common type of direct solenoid actuated valve, which is designed for use with sub-bases. Valves can be used as standalone with individual base or they can be mounted on manifolds.






Valves series ISO 5599/1 contains spool and sleeve assembly, which guarantee long lifetime of valve.

Series	ISO 1	ISO 2	ISO 3
Flow capacity [Nl/min]	1400	2800	4200
Working pressure [MPa]	vacuum to 2,1 MPa		
Power input [W, VA]	6W for DC voltage, 50 (300*)VA inrush and 9,6(34*)VA hold for AC voltage		
Response time energize / de-energize [ms]	20 / 32	20 / 32	15 / 36
Temperature range [°C]	ambient temperature -20 to +80		

\*) For ISO 3 series

## Order codes

NI23 SA4 00 40000 61

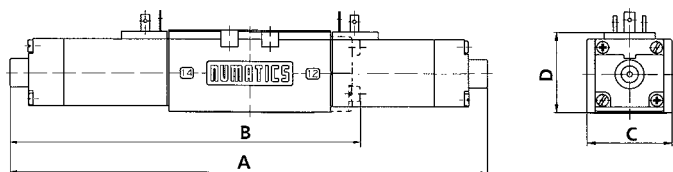
Size		Function		Pilot valve type		Voltage	
NI12	series ISO 1	SA4		20000	for AC voltage with manual override in the cover, for connector DIN 43650, form A type 30	61*	24 V DC ± 10%
NI23	series ISO 2	SS4		40000*	for DC voltage with manual override in the cover, for connector DIN 43650, form A type 30	40	230 V AC ± 10% 50-60 Hz
NI34	series ISO 3	SS5				30	110 V AC ± 10% 50-60 Hz
		SS6				20	24 V AC ± 10% 50-60 Hz
		SS7					

\*) Not for ISO 3 series

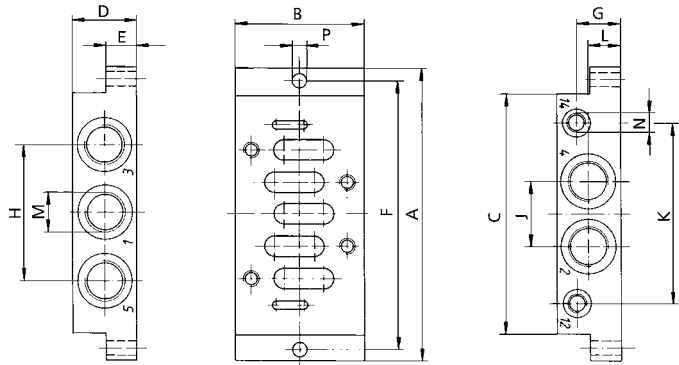
\*) Not for ISO 3 series

**i** For connectors for valves see page 5-46.

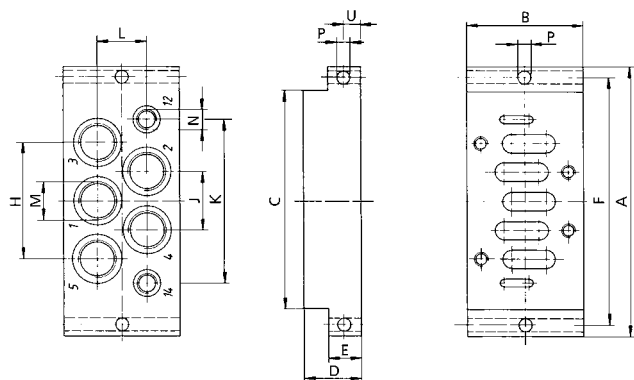
## Dimensions



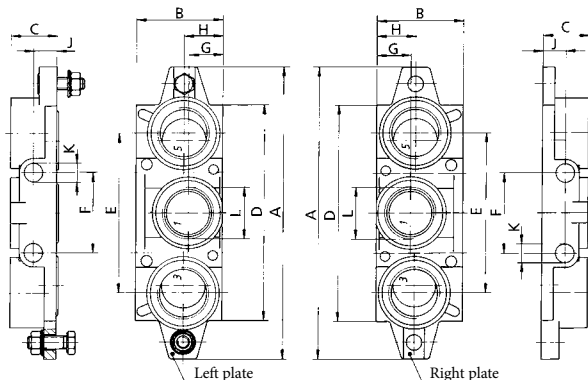
Series	Function	Voltage	A	B	C	D	Weight [kg]
ISO 1	SA	DC	—	200	42	48	0,80
ISO 1	SA	AC	—	180	42	48	0,80
ISO 1	SS	DC	280	—	42	48	1,00
ISO 1	SS	AC	240	—	42	48	1,00
ISO 2	SA	DC	—	208	50	48	1,00
ISO 2	SA	AC	—	188	50	48	1,00
ISO 2	SS	DC	288	—	50	48	1,20
ISO 2	SS	AC	248	—	50	48	1,20
ISO 3	SA	AC	—	234	63,5	60,5	1,70
ISO 3	SS	AC	305	—	63,5	60,5	1,70

**Individual base VDMA 24345, form A, with side ports**


Order codes	Size	A	B	C	D	E	F	G	H	J	K	L	M	N	P	Weight [kg]
N103-544	ISO 1	110	48	84	36	10	98	26	50	26	60	13,5	G1/4"	G1/8"	5,5	0,20
N103-549	ISO 2	124	57	95	41	13	112	30	56	30	74	15	G3/8"	G1/8"	6,6	0,30
N103-545	ISO 3	149	71	119	32	18	136	22	68	32	90	17	G1/2"	G1/8"	6,6	0,40

**Individual base VDMA 24345, form B, with bottom ports**


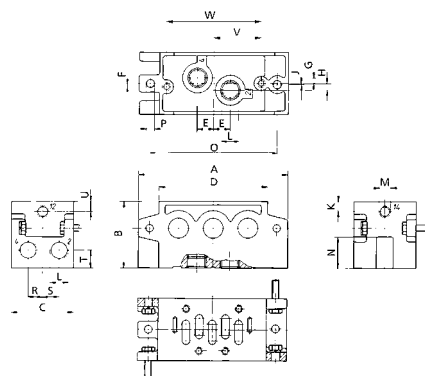
Order codes	Size	A	B	C	D	E	F	G	H	J	K	L	M	N	P	Weight [kg]
N103-542	ISO 1	110	46	84	16	10	98	5	40	20	57	17,6	G1/4"	G1/8"	5,5	0,19
N103-557	ISO 2	124	56	95	35	10	112	6,5	58	29	75	26	G3/8"	G1/8"	5,5	0,32

**End plate kit VDMA 24345, form D for manifold blocks**


Order codes	Size	A	B	C	D	E	F	G	H	J	K	L	Weight [kg]
N239-257	ISO 1	109	46	22	85	56	28	22	25	10,5	7	G3/8"	0,30
N239-255	ISO 2	135	47	26	98,5	68	35	24	25	12,5	9	G1/2"	0,40
N239-259	ISO 3	190	56	32	140	104	52	22	25	12,5	12	G1"	0,70

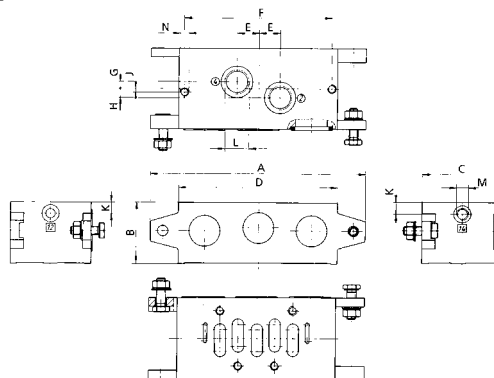


**Manifold block with side and bottom ports**



Order codes	Size	A	B	C	D	E	F	G	H	J	K	L	M	N	O	P	R	S	T	U	V	W	Weight [kg]
N239-241	ISO 1	110	50	43	84	13	3	1,5	7,5	1,2	10	G1/4"	G1/8"	23	95	5,4	9,5	12	13	10	35,5	71	0,40
N239-245	ISO 2	135	60	56	98,5	15	3	5	6	1	9	G3/8"	G1/8"	28	115	6,6	13	15	16	9	43	86	0,60
N239-249	ISO 3	190	66	71	140	19	3	6	8	1,3	9,5	G1/2"	G1/8"	32	168	8,6	16,5	19	18	9,5	65	130	1,20

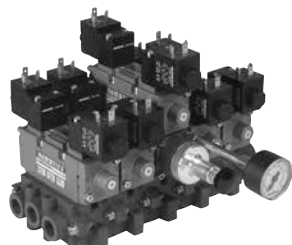
**Manifold block VDMA 24345, form C, with bottom ports**



Order codes	Size	A	B	C	D	E	F	G	H	J	K	L	M	N	Weight [kg]
N239-239	ISO 1	109	46	43	85	13	71	1,5	7,5	3	10	G1/4"	G1/8"	M5	0,30
N239-243	ISO 2	135	47	56	98,5	15	86	5	5	3	9	G3/8"	G1/8"	M6	0,40
N239-247	ISO 3	190	56	71	140	19	130	6	8	3	10	G1/2"	G1/8"	M8	0,80

**Other accessories**

The another accessories for valve series ISO 5599/1 Compact and ISO 5599/1 is available too. For full range catalogue please contact our sales dept. Available are for example the following components:



Pressure regulators with various functions and for various pressures

Adapter plates to mount the respective ISO valves



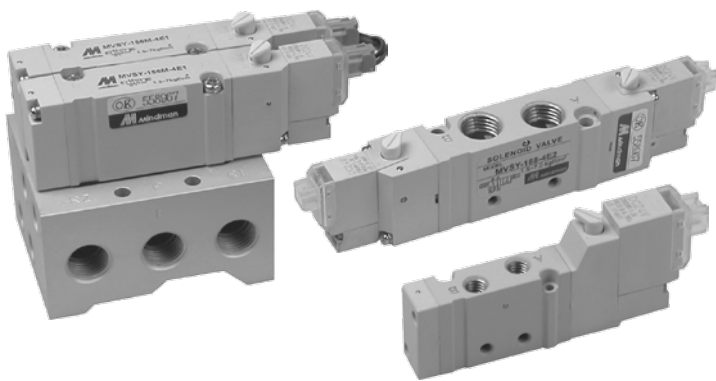
Valve isolating plate to lock port 1

Sandwich speed control

Non-return plates for port 1

Blank station plates





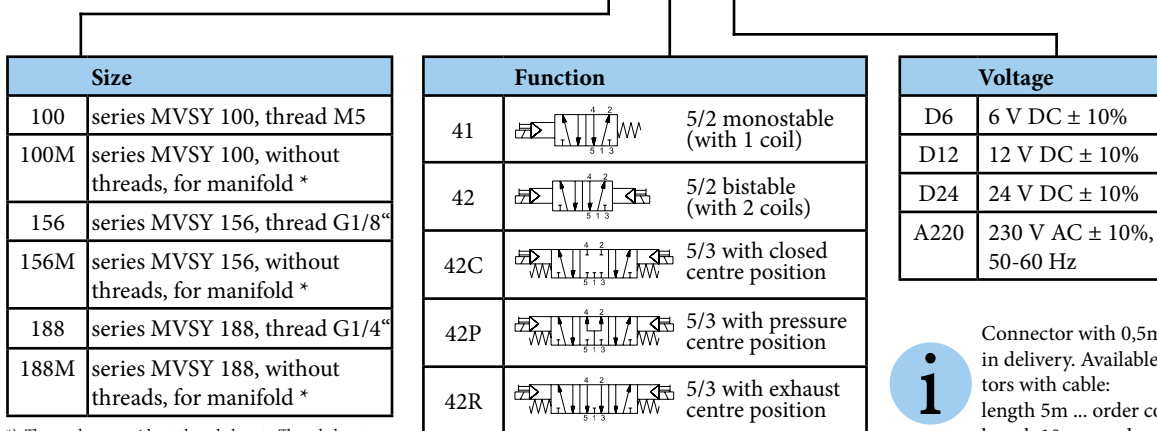
The new valve series with small space requirements and with improved technical parameters (for example lower power consumption). Versions for direct usage (in-line) as well as manifold valves are available. Valves are solenoid pilot actuated. The product range covers functions 5/2 single or double solenoid and 5/3 with centre closed and exhaust position and position with pressure centre. Connector with 0,5m cable and coil are included in delivery.

This valve series contains rubber gaskets.

Series	MVSY 100	MVSY 156	MVSY 188
Ports	M5	G1/8"	G1/4" (G1/8" for exhaust port 3 and 5)
Flow capacity [Nl/min]	200	630	760
Working pressure [MPa]	0,2 to 0,7	0,15 to 0,7, or 0,2 to 0,7 for function 5/3	
Power input [W, VA]	1,2W for DC voltage, 2,5/1,6VA for AC voltage (inrush/hold), LED indicator		
Response time [ms]	12, or 15 for function 5/3	19, or 32 for function 5/3	23, or 50 for function 5/3
Coil voltage tolerance	±10%		
Temperature range [°C]	ambient temperature -5 to +50		
Enclosure	IP40		

### Order codes

PMVSY 156 42 D24



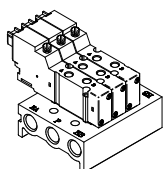
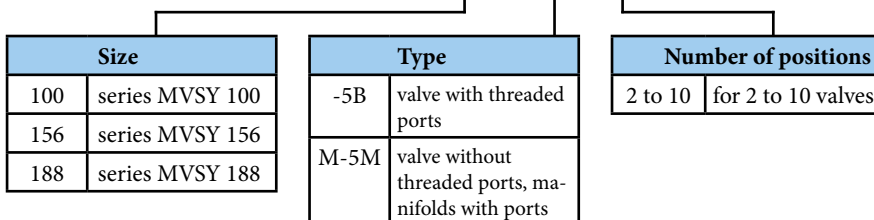
\*) These valves are without threaded ports. Threaded ports are on the side of manifold - details see below.



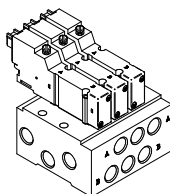
Connector with 0,5m cable is included in delivery. Available are also connectors with cable:  
length 5m ... order code PMVSY-C5  
length 10m ... order code PMVSY-C10.

### Order codes of manifolds

PMVSY 100 M-5M 4



**Manifolds for valves with threaded ports** - PMVSYxxx4... - these valves are with threads on all five ports (ports 1,2,3,4 and 5). In this case, the manifold PMVSYxxx-5Bx, which has only ports 1,3 and 5 is used.



Also available are **manifolds for valves without threads** - PMVSYxxxM4... - these valves are without threads and ports - they are entirely intended for use on manifold. In this case, manifold PMVSYxxxM-5Mx, which has common ports 1,3 and 5 and outlet ports 2 and 4 for each valve position, is used. This lay-out simplify assembly and maintenance - valve can be easily unmounted without unplugging of connections on ports 2 and 4.

It is possible to mount series MVSY valves on manifold with predefined number of position. It isn't possible to add another position to created assembly - it could be necessary to replace manifold or create another manifold. If there is possibility that more valves will be needed in future, we recommend to use manifold with more positions and use blocking plates for unused positions. Valves are mounted to manifold directly - no adaptor is necessary. Valves mounted on manifold could be unmounted separately by unscrew of 2 bolts, which are accessible from top side (side with ports 2 and 4 of valves). Each separate coil must be wired with separate electrical cable. There are also manifolds with a common connector available - for more information, contact our technical department.  
**For order codes of blocking plates see page 5-24.**

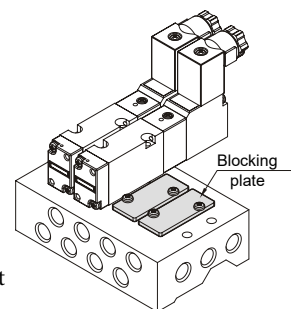
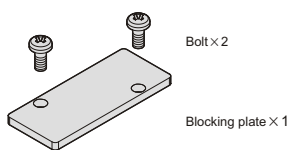
# SOLENOID ACTUATED VALVES SERIES MVSY

## Order codes of blocking plate for manifolds

### PMVSY 100 - 5P

Size		Blocking plate	
100	series MVSY 100	-5P	blocking plate
156	series MVSY 156		
188	series MVSY 188		

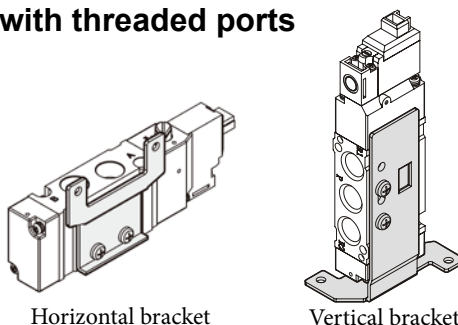
Blocking plates are used for blocking outlets from manifold in case, that not all positions are used presently and expansion of the assembly is planned in the future. In that case, the blocking plate will be changed with valve and manifold is without change.



## Order codes of brackets of individual valves with threaded ports

### PMVSY 100 - 1A

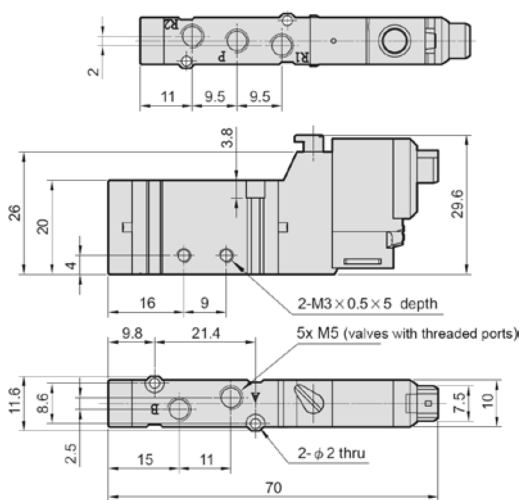
Size		Bracket type	
100	series MVSY 100	-1A	horizontal
156	series MVSY 156	-2A	vertical
188	series MVSY 188		



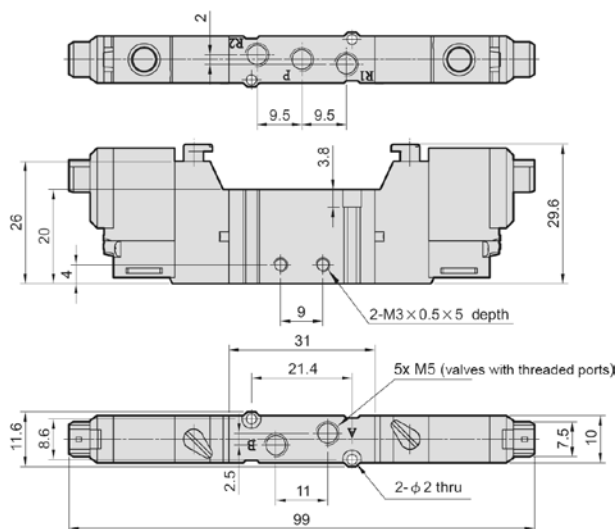
Brackets can be used for individually mounted valves with threaded ports - valves are without through hole for fixing, that is why it is better to use bracket for easy assembly in some cases. **Vertical brackets are only for monostable valves (4/2, one coil, function 41).**

## Dimensions of valve series MVSY 100

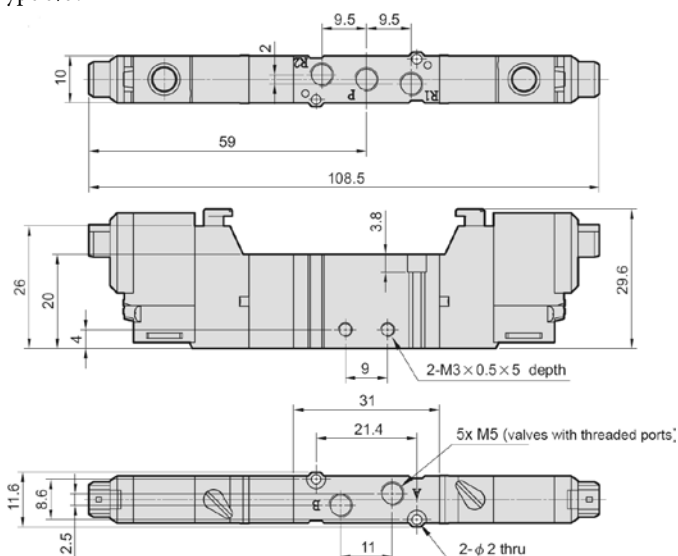
Type 5/2 with single solenoid:



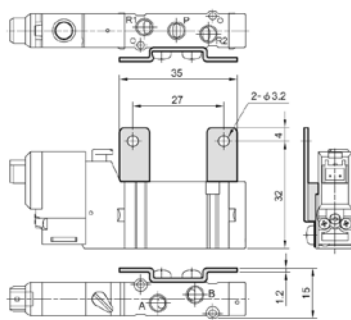
Type 5/2 with double solenoid:



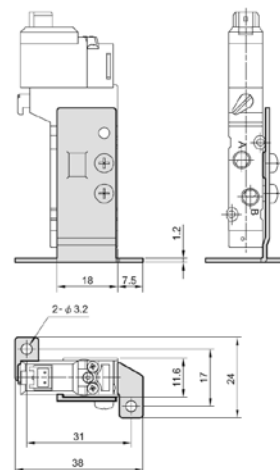
Type 5/3:



Horizontal bracket:



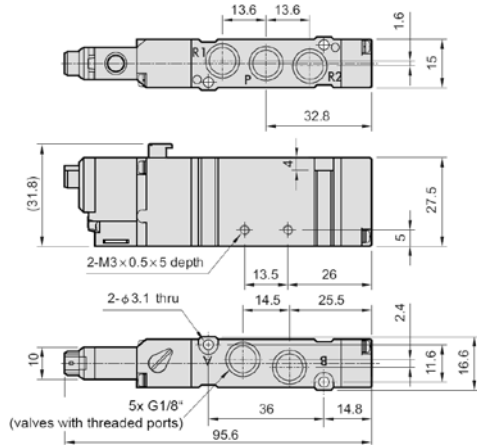
Vertical bracket:



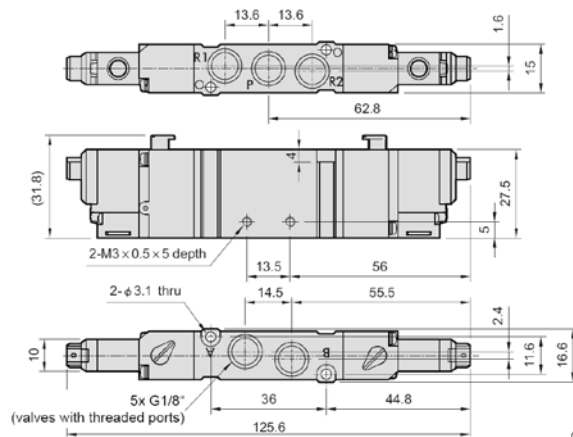
Function	Weight [kg]
41	0,030
42	0,043
42C/P/R	0,055

## Dimensions of valve series MVSY 156

Type 5/2 with single solenoid:

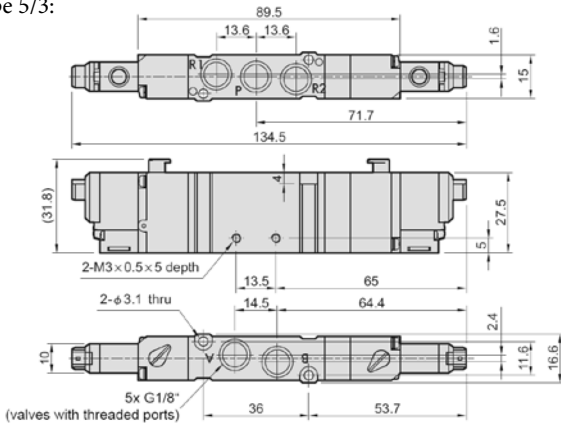


Type 5/2 with double solenoid:

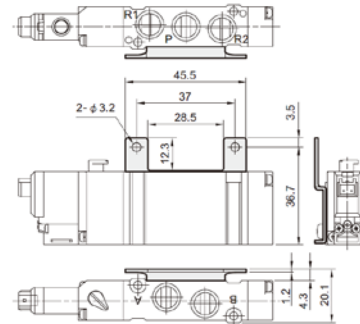


Function	Weight [kg]
41	0,068
42	0,087
42C/P/R	0,096

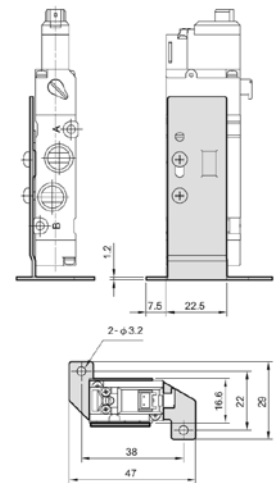
Type 5/3:



Horizontal bracket:

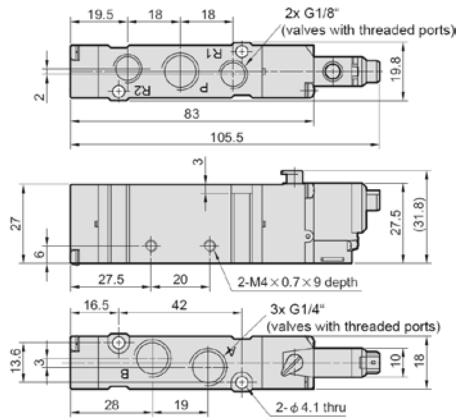


Vertical bracket:

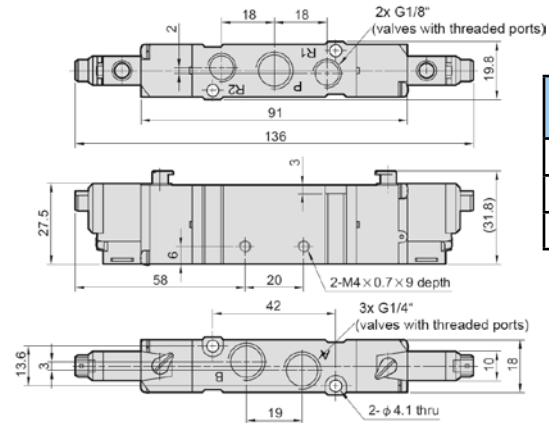


## Dimensions of valve series MVSY 188

Type 5/2 with single solenoid:

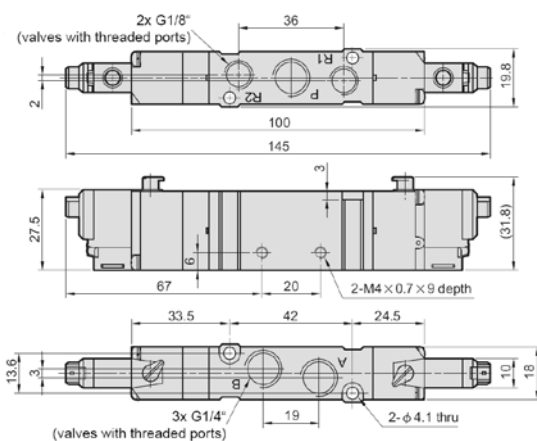


Type 5/2 with double solenoid:

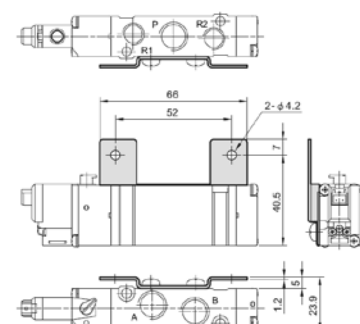


Function	Weight [kg]
41	0,084
42	0,106
42C/P/R	0,116

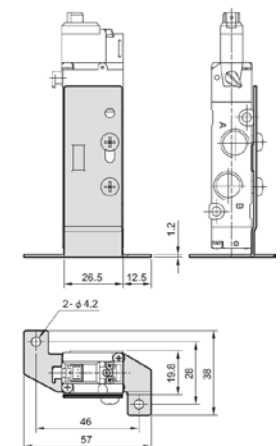
Type 5/3:



Horizontal bracket:



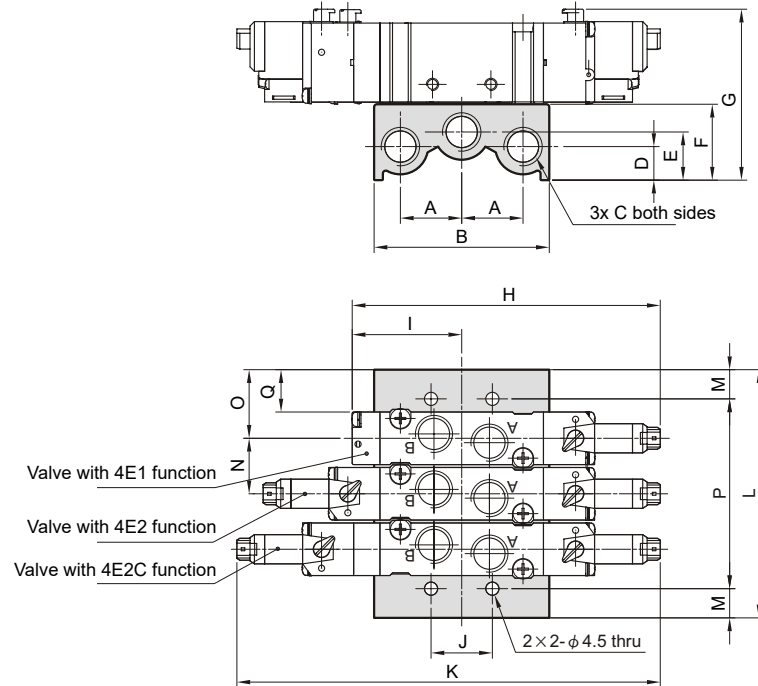
Vertical bracket:



# SOLENOID ACTUATED VALVES SERIES MVSY

## Dimensions of manifold assemblies of valves series MVSY

Type -5B for valves with threaded ports

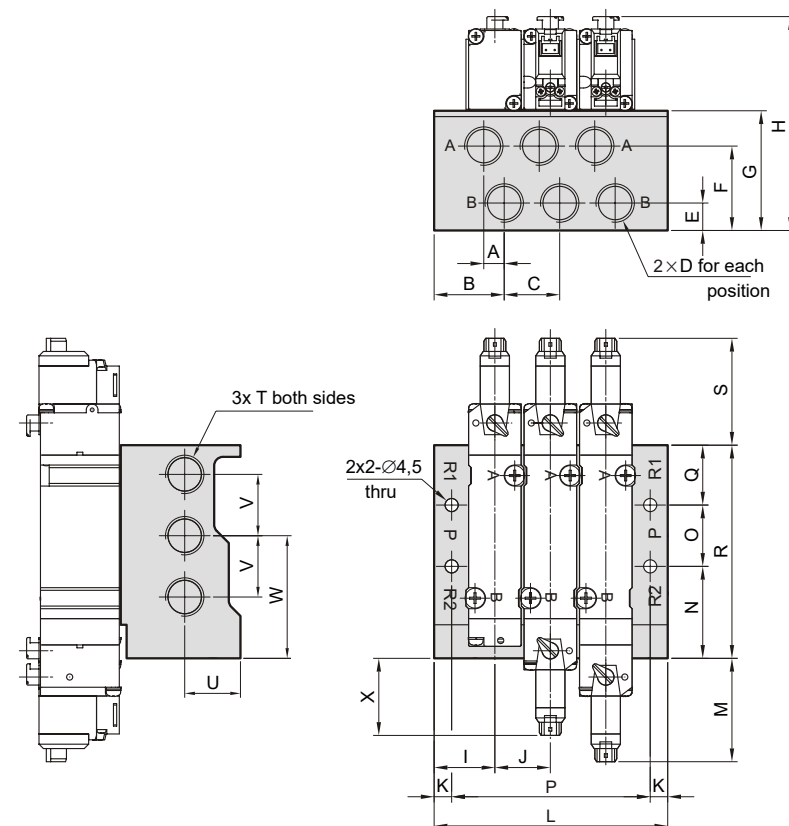


Series	Value	Number of positions								
		2	3	4	5	6	7	8	9	10
100	L	48,5	59	69,5	80	90,5	101	111,5	122	132,5
	P	30,5	41	51,5	62	72,5	83	93,5	104	114,5
	Weight [kg]	0,07	0,08	0,10	0,12	0,13	0,15	0,16	0,18	0,19
156	L	60	76	92	108	124	140	156	172	188
	P	40	56	72	88	104	120	136	152	168
	Weight [kg]	0,14	0,17	0,21	0,24	0,28	0,31	0,35	0,39	0,42
188	L	66	85	104	123	142	161	180	199	218
	P	46	65	84	103	122	141	160	179	198
	Weight [kg]	0,18	0,23	0,27	0,32	0,37	0,42	0,47	0,52	0,57

Series	A	B	C	D	E	F	G	H	I	J	K
100	16,5	49	G1/8 <sup>cc</sup>	12,5	12,5	20	50,1	75	24,5	16	108,5
156	21	60	G1/4 <sup>cc</sup>	11,5	16,5	26	58,6	96,5	22,8	20	134,5
188	21	60	G1/4 <sup>cc</sup>	11,5	16,5	26	58,6	105,5	37,5	21	145

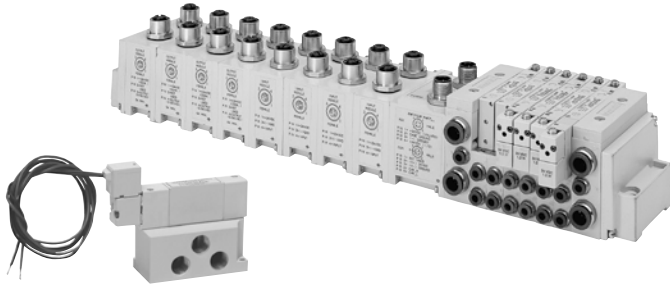
Series	M	N	O	Q
100	9	10,5	19	14
156	10	16	22	14,5
188	10	19	23,5	14,5

Type M-5M for valves for manifold (without threaded ports)



Series	Value	Number of positions								
		2	3	4	5	6	7	8	9	10
100	L	47,5	60	72,5	85	97,5	110	122,5	135	147,5
	P	39,5	52	64,5	77	98,5	102	114,5	127	139,5
	Weight [kg]	0,18	0,2	0,28	0,32	0,37	0,41	0,46	0,50	0,55
156	L	59,5	77	94,5	112	129,5	147	164,5	182	199,5
	P	49,5	67	84,5	102	119,5	137	154,5	172	189,5
	Weight [kg]	0,25	0,3	0,40	0,47	0,55	0,62	0,69	0,77	0,84
188	L	61	80	99	118	137	156	175	194	213
	P	49	68	87	106	125	144	163	182	201
	Weight [kg]	0,39	0,5	0,62	0,74	0,85	0,97	1,09	1,20	1,32

Series	A	B	C	D	E	F	G	H	I	J	K	M	N	O	Q	R	S	T	U	V	W	X
100	7	15	12,5	G1/8 <sup>cc</sup>	7,4	22,2	32	61,6	18,5	12,5	4	29,9	24,6	16	15,2	55,8	22,8	G1/8 <sup>cc</sup>	8 (15)	16	32,6	20,4
156	8,5	19	17,5	G1/4 <sup>cc</sup>	10	27,5	38	70,3	21	17,5	5	33,7	29	20	19	68	32,8	G1/4 <sup>cc</sup>	17,6	20	39	24,8
188	7	24	19	G1/4 <sup>cc</sup>	9,4	28,9	41	73,3	20,8	19	6	35,4	31,5	21	20,5	73	36,6	G1/4 <sup>cc</sup>	19,1	21	42	26,4



Series 2002 valves are one of the most state-of-the-art. Well-proven spool and sleeve assembly as well as rubber packed spool versions are available. Valves must be mounted on sub-base and they can be used as standalone or in manifolds. If manifold mounting is used, then electrical signals may be wired separately to each coil or centrally by multipol connector or by electronic control system (BUS controlling).

Valves series 2002 contains spool and sleeve assembly, which guarantee long lifetime of valve, or rubber gaskets.

Series	2002 with spool and sleeve assembly	2002 with rubber packed sleeve
Flow capacity [Nl/min]	200	250
Working pressure [MPa]	vacuum to 1,0 for 5/2 and 5/3 valves; 0 to 1,0 for 3/2 valves, vacuum only in ports 3 and 5	
Pilot pressure range [MPa]	0,25 to 0,7 <sup>+</sup>	
Standard coil power input [W]	0,75	
Response time for DC voltage [ms]	13/6*/8** energize, 13/-*/22** de-energize; 11/10 for 3/2 valve	
Temperature range [°C]	medium temperature max. 50, ambient temperature -20 to +50	

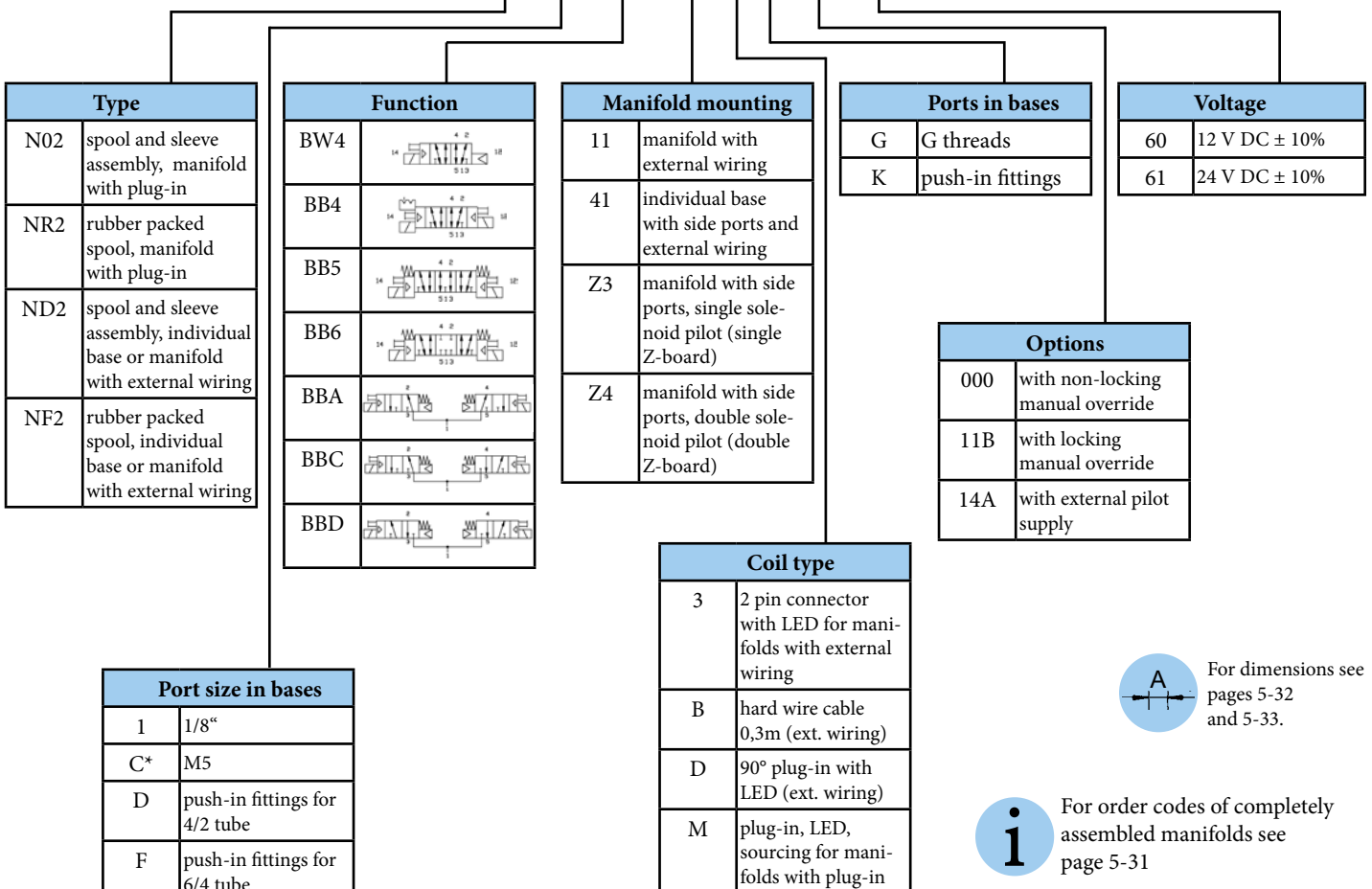
\*) Values are valid for double solenoid pilot 5/2 valves (function BB4)

\*\*) Values are valid for 5/3 valves (function BB5/6/7)

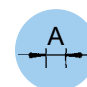
\*) For rubber packed spool version, the pilot pressure must be at least as high or higher than operating pressure


## Order codes

**N02 D BW4 Z3 M K 000 61**



\*) Valid only for ND2 and NF2 types

 For dimensions see pages 5-32 and 5-33.

 For order codes of completely assembled manifolds see page 5-31



# SOLENOID ACTUATED VALVES SERIES 2005



Series 2005 valves, which belongs to modular and state-of-the-art series 2000, offers high flow with small dimensions. Valves are mounted on manifold sub-bases with side and bottom ports. Electrical signals are wired centrally by multipole connector, or by electronic control system (BUS controlling). Speed control valve and pressure regulator are available for mounting between valve and base.

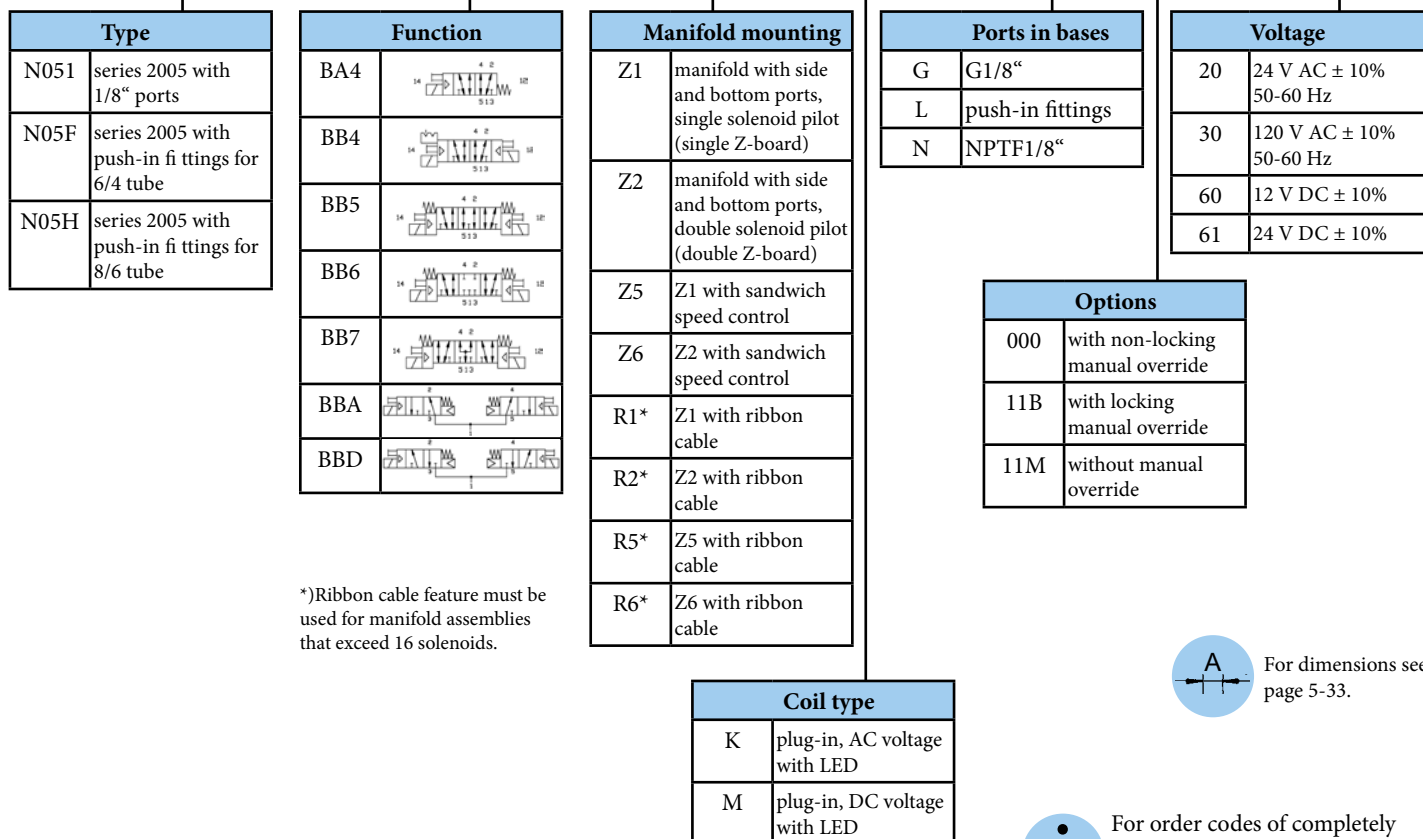
5/2 and 5/3 valves series 2005 contains spool and sleeve assembly, which guarantee long lifetime of valve, 3/2 valves contains rubber gaskets.


Series	2005
Flow capacity [Nl/min]	560
Working pressure [MPa]	vacuum to 1,0
Pilot pressure range [MPa]	0,18 to 0,82
Standard coil power input [W/VA]	1 for DC voltage, 4,2 for AC voltage
Response time for DC voltage [ms]	14/13* energize, 16 de-energize
Response time for AC voltage [ms]	14/13* energize, 16 de-energize
Temperature range [°C]	medium temperature max. 50, ambient temperature -20 to +50


\*) Values are valid for double solenoid pilot 5/2 valves (function BB4)

## Order codes

**N05F BB4 Z6 M L 000 61**



 For dimensions see page 5-33.

 For order codes of completely assembled manifolds see page 5-31



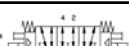
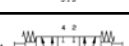
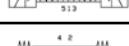


Series 2012 valves, belongs to modular and state-of-the art series 2000. Valves are mounted on manifold sub-bases with side and bottom ports. Electrical signals are wired centrally by multipol connector, or by electronic control system (BUS controlling). Speed control valve and pressure regulator are available for mounting between valve and base.

Valves series 2012 contains spool and sleeve assembly, which guarantee long lifetime of valve.

Series	2012
Flow capacity [Nl/min]	1200
Working pressure [MPa]	vacuum to 1,0
Pilot pressure range [MPa]	0,18 to 0,82
Standard coil power input [W/VA]	2,5 for DC voltage, 4,2 for AC voltage
Response time for DC voltage [ms]	10 energize, 20 de-energize
Response time for AC voltage [ms]	10 energize, 20 de-energize
Temperature range [°C]	medium temperature max. 50, ambient temperature -20 to +50

**Order codes**
**N12H BB4 Z6 M L 11M 61**

Type		Function		Manifold mounting		Ports in bases		Voltage										
N122	series 2012 with 1/4" ports	BA4		Z1	manifold with side and bottom ports, single solenoid pilot (single Z-board)	G	G threads	20	24 V AC ± 10% 50-60 Hz									
N123	series 2012 with 3/8" ports	BB4		Z2	manifold with side and bottom ports, double solenoid pilot (double Z-board)	L	push-in fittings	30	120 V AC ± 10% 50-60 Hz									
N12H	series 2012 with push-in fittings for 8/6 tube	BB5		Z5	Z1 with sandwich speed control	N	NPTF threads	60	12 V DC ± 10%									
N12K	series 2012 with push-in fittings for 10/8 tube	BB6		Z6	Z2 with sandwich speed control	<table border="1"> <thead> <tr> <th colspan="2">Options</th> </tr> </thead> <tbody> <tr> <td>000</td> <td>with non-locking manual override</td> </tr> <tr> <td>11B</td> <td>with locking manual override</td> </tr> <tr> <td>11M</td> <td>without manual override</td> </tr> <tr> <td>14X</td> <td>external pilot supply</td> </tr> </tbody> </table>			Options		000	with non-locking manual override	11B	with locking manual override	11M	without manual override	14X	external pilot supply
Options																		
000	with non-locking manual override																	
11B	with locking manual override																	
11M	without manual override																	
14X	external pilot supply																	
		BB7		3A	individual base with side ports			61	24 V DC ± 10%									
				3C	3A with sandwich speed control													
				R1*	Z1 with ribbon cable													
				R2*	Z2 with ribbon cable													
				R5*	Z5 with ribbon cable													
				R6*	Z6 with ribbon cable													

\*Ribbon cable feature must be used for manifold assemblies that exceed 16 solenoids.

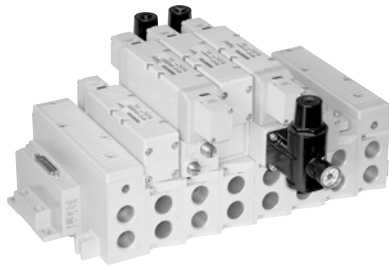
Coil type	
K	plug-in, AC voltage with LED
M	plug-in, DC voltage with LED

**A** For dimensions see page 5-34.

**i** For order codes of completely assembled manifolds see page 5-31



# SOLENOID ACTUATED VALVES SERIES 2035



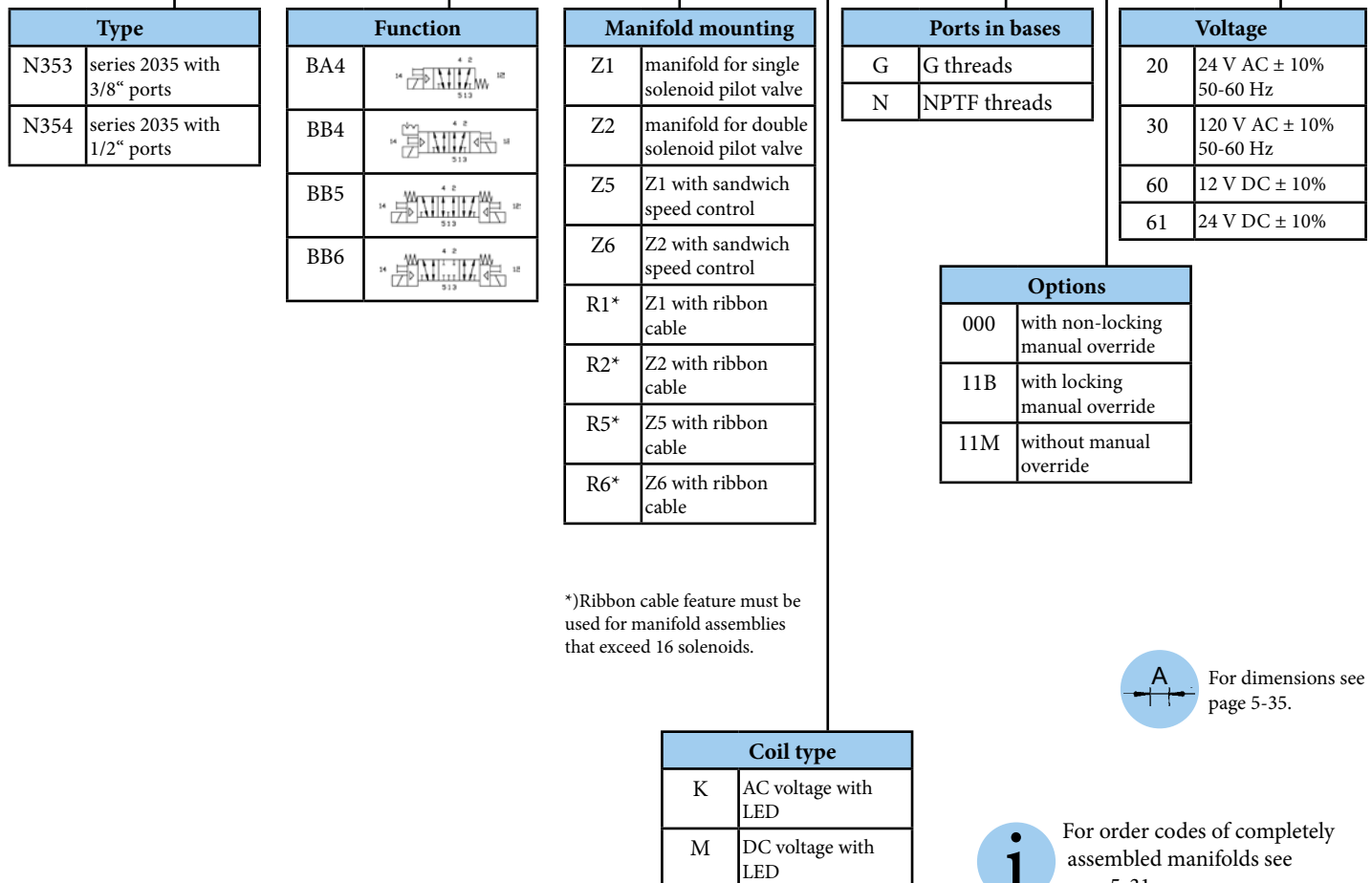
Series 2035 valves, belongs to modular and state-of-the art series 2000. This series has big flow capacity and is suitable for large diameter cylinders applications. Valves are mounted on manifold sub-bases with side and bottom ports. Electrical signals are wired centrally by multipole connector, or by electronic control system (BUS controlling). Speed control valve and pressure regulator are available for mounting between valve and base.

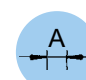
Valves series 2035 contains spool and sleeve assembly, which guarantee long lifetime of valve.


Series	2035
Flow capacity [Nl/min]	3500
Working pressure [MPa]	vacuum to 1,0
Pilot pressure range [MPa]	0,18 to 0,82
Standard coil power input [W/VA]	2,5 for DC voltage, 4,2 for AC voltage
Response time for DC voltage [ms]	21 energize, 70 de-energize
Response time for AC voltage [ms]	15 energize, 75 de-energize
Temperature range [°C]	medium temperature max. 50, ambient temperature -20 to +50

## Order codes

**N354 BB4 Z6 M G 11B 61**



 For dimensions see page 5-35.

 For order codes of completely assembled manifolds see page 5-31

**Completely assembled manifolds of series 2002 valves**
**Order codes**
**NAKJ 6 F 0000 HL DMW**

Type	
NAK0	manifold without plug-in, externally wired
NAKF	manifold with plug-in, terminal strip, max. 16 coils
NAKJ	manifold with plug-in, 25 pin SUB-D connector, max. 22 coils
NAKC	manifold with plug-in, with G2-1 BUS electronic system*, max. 24 coils

Series	
6	series 2002

Number of positions**		
A = 1	I = 9	Q = 17
B = 2	J = 10	R = 18
C = 3	K = 11	S = 19
D = 4	L = 12	T = 20
E = 5	M = 13	U = 21
F = 6	N = 14	V = 22
G = 7	O = 15	W = 23
H = 8	P = 16	X = 24

\*\*\*) See max. number of coils according to manifold type

End plate port size	
HL	push-in fittings for 8/6 tube

Options	
STD	without options
DRM	DIN rail mounting
MUF	end plates with muffler
DMW	Din rail and end plates with muffler

\*) For details about BUS systems please contact our technical dept.

It is necessary to mention order code of completely assembled manifold, order codes of used valves and order code of BUS system (if used).

**Example:** see example below for valve series 2005/2012

**Completely assembled manifolds of series 2005, 2012 and 2035**
**Order codes**
**NAKJ E F 0000 JL DMW**

Type*	
NAKF	manifold with plug-in, terminal strip, max. 16 coils
NAKT	manifold with plug-in, terminal strip, max. 32 coils
NAKJ	manifold with plug-in, 25 pin SUB-D connector, max. 22 coils
NAKM	manifold with plug-in, 37 pin SUB-D connector, max. 32 coils
NAKP	manifold with plug-in, 12 pin round connector, max. 8 coils
NAKR	manifold with plug-in, 26 pin round connector, max. 22 coils
NAKS	manifold with plug-in, 26+12 pin round connector, max. 32 coils
NAKC	manifold with plug-in, with G2-2 BUS electronic system*, max. 32 coils

Series	
E	series 2005
G	series 2012
B	series 2035

Number of positions**		
A = 1	L = 12	W = 23
B = 2	M = 13	X = 24
C = 3	N = 14	Y = 25
D = 4	O = 15	Z = 26
E = 5	P = 16	2 = 27
F = 6	Q = 17	3 = 28
G = 7	R = 18	4 = 29
H = 8	S = 19	5 = 30
I = 9	T = 20	6 = 31
J = 10	U = 21	7 = 32
K = 11	V = 22	

\*\*\*) See max. number of coils according to manifold type

End plate port size	
3G	series 2005: G3/8" series 2012:G3/8" for port 1, G1/2" for ports 3 and 5
4G	series 2035: G1/2"
KL	series 2005: push-in fittings for 10/8 tube series 2012: push-in fittings for 10/8 tube for port 1, 14/12 for ports 3 and 5
HL	series 2012:push-in fittings for 8/6 tube for port 1, 12/10 for ports 3 and 5

Options	
STD	without options
DRM	DIN rail mounting
MUF	end plates with muffler
DMW	Din rail and end plates with muffler
14X	STD with external air pilot supply
A06	end plate with ports on left side only, mounting plate on right side only

\*\*) For details about BUS systems please contact our technical dept.

It is necessary to mention order code of completely assembled manifold, order codes of used valves and order code of BUS system (if used).

**Example:** assembly of 2 valves N05FBB4Z2ML00061 and 4 valves N05FBA4Z1ML00061, 6 valve stations, manifold with plug-in with 25 pin SUB-D connector, ports are with push-in fittings, manifold with integrated muffler and DIN rail mounting, has order code:

NAKJEF0000HLDWM

stations 1,2 = N05FBB4Z2ML00061

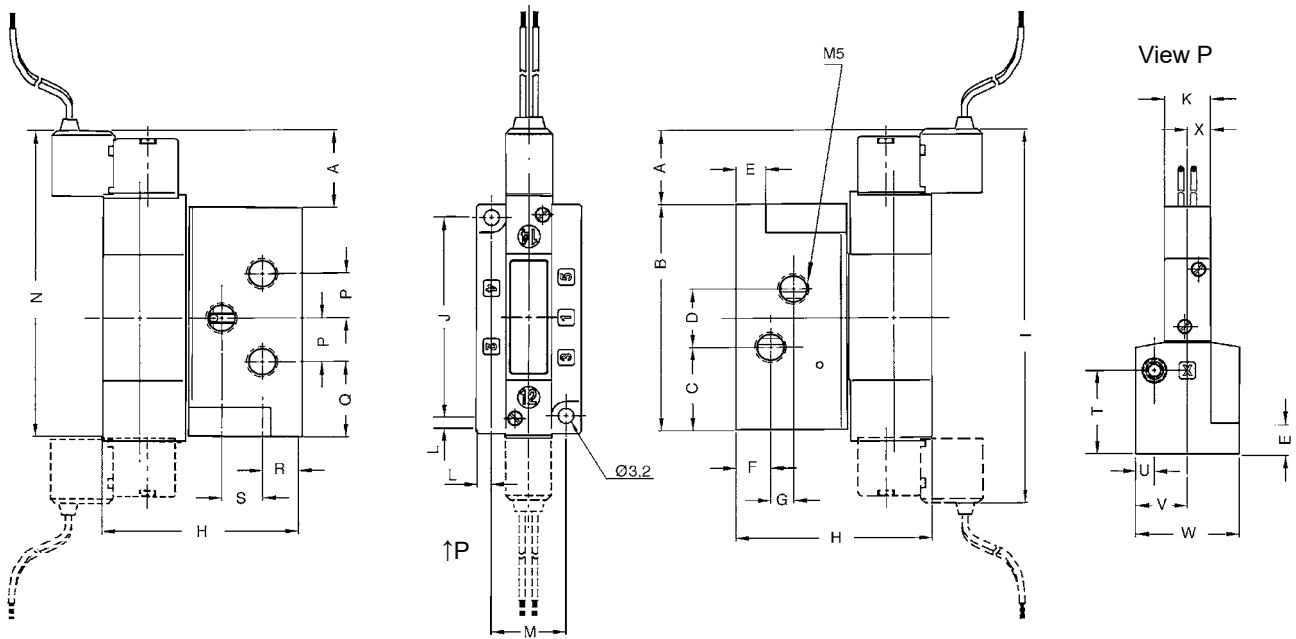
stations 3,4,5,6 = N05FBA4Z1ML00061, assembled

\*) All types are with internal wiring

**i** For connectors for valves see page 5-46.

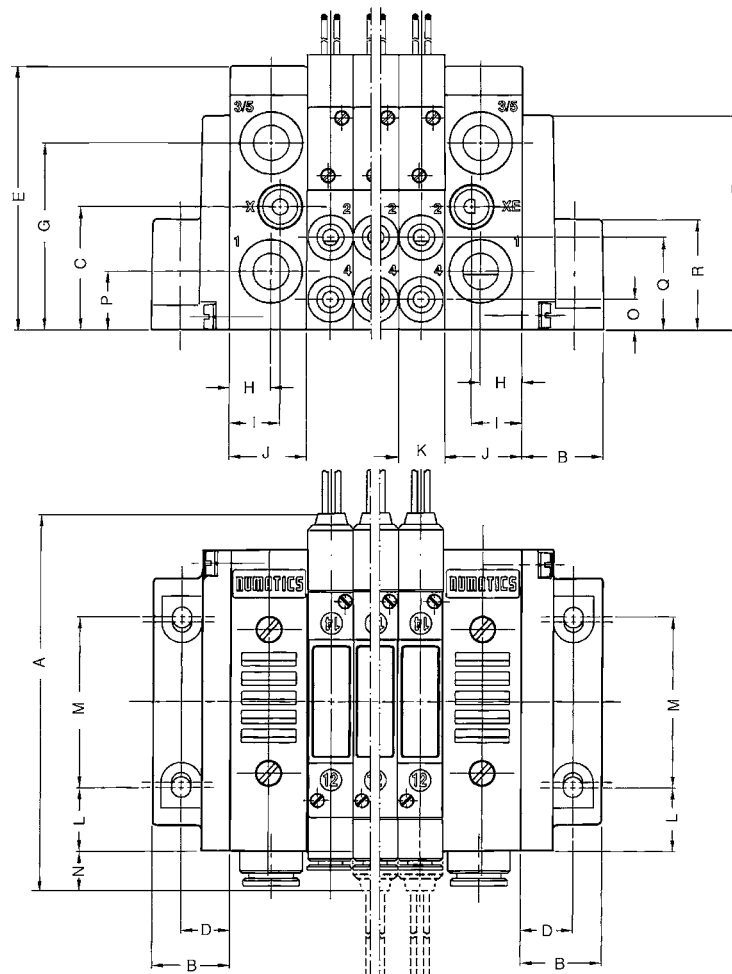
# DIMENSIONS OF SOLENOID ACTUATED VALVES SERIES 2002

## Dimensions of valve series 2002 - valves with individual base

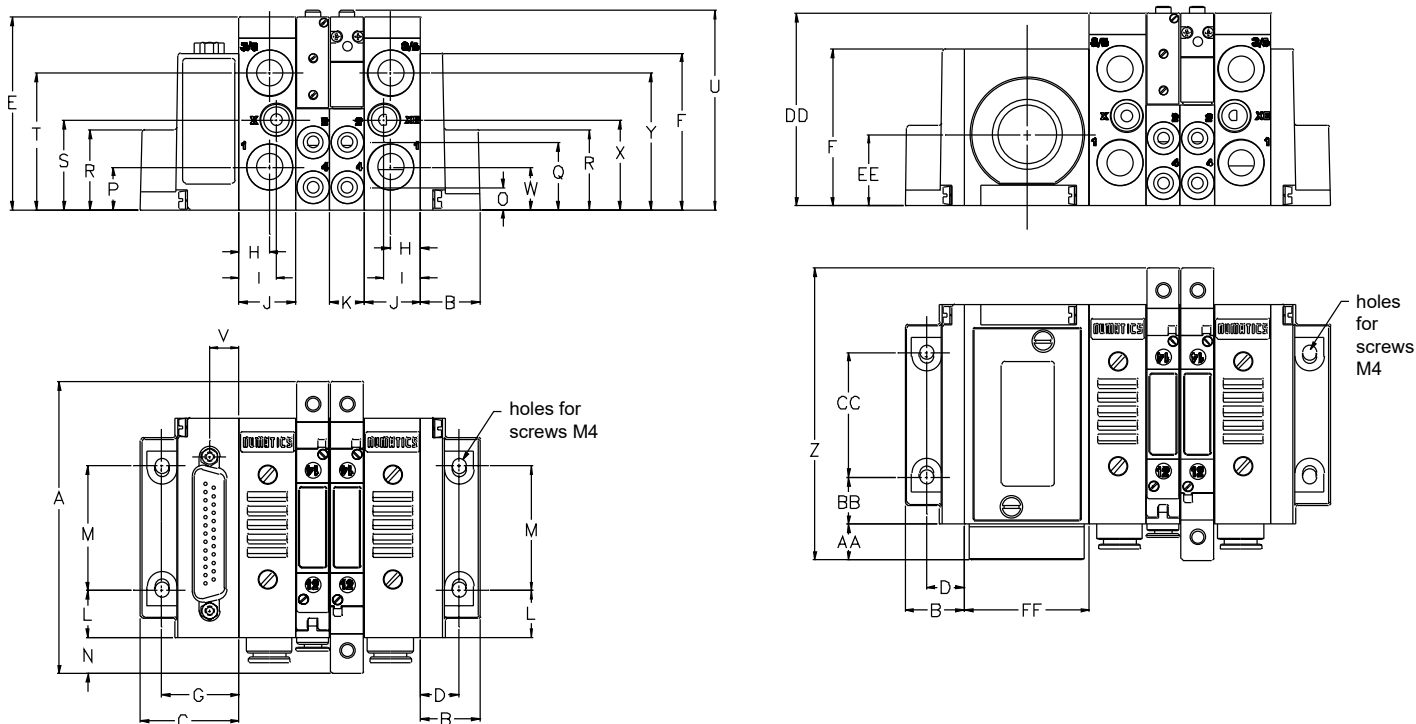


A	B	C	D	E	F	G	H	I	J	K	L	M	N	P	Q	R	S	T	U	V	W	X
16	49,3	20,6	8,1	6,6	7,9	6,4	42,7	81,3	43,2	9,9	3	16,3	66,5	7,6	17,3	9,4	7,9	18,3	4,1	11,2	22,4	5

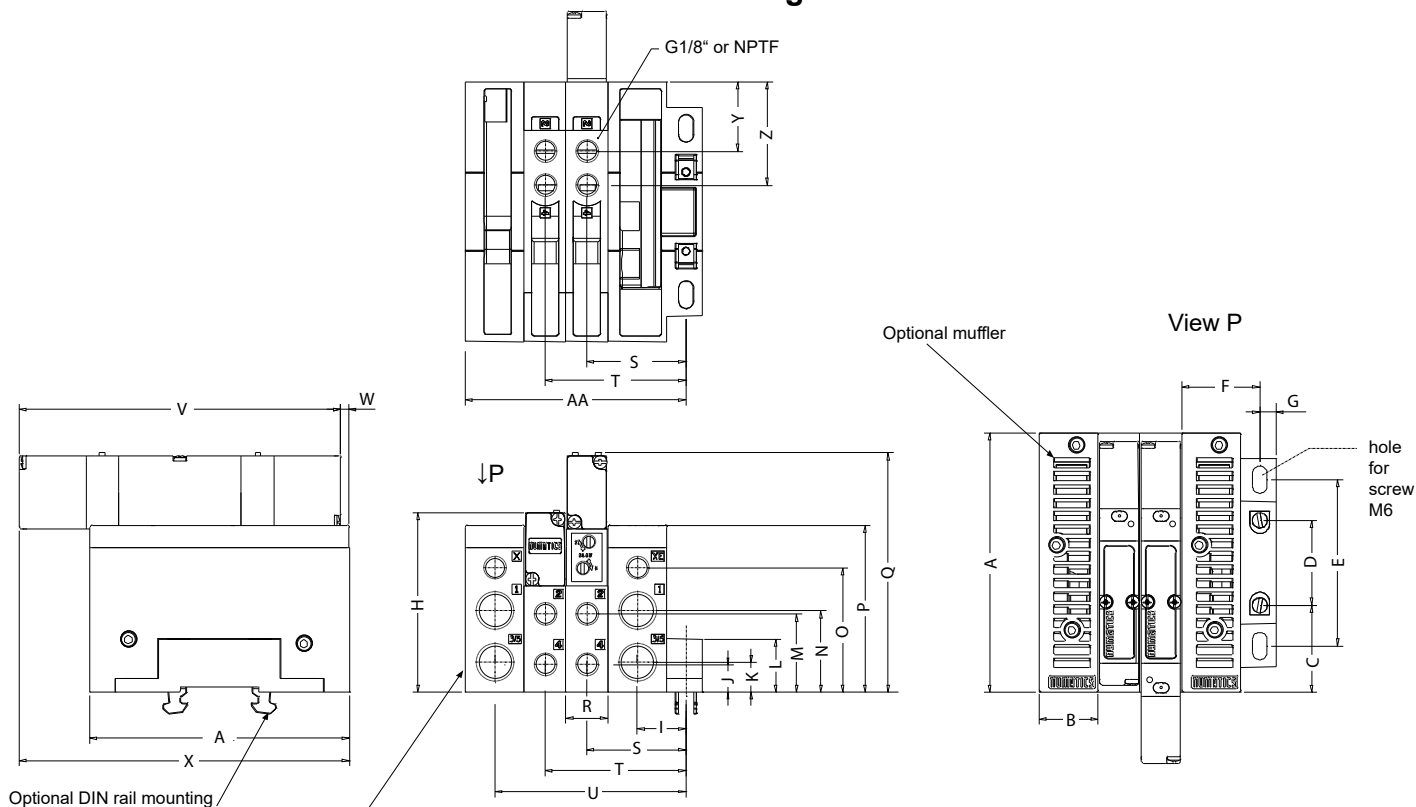
## Dimensions of valve series 2002 - manifold mounting with external wiring



A	B	C	D	E	F	G	H	I	J	K	L	M	N	O	P	Q	R	S
81,3	18	27,4	11,9	58,7	47,8	41,7	9,4	11,4	17,3	10,5	14,2	38,1	11,2	6,9	13	20,6	24,4	27,4

**Dimensions of valve series 2002 - manifold mounting with internal wiring (plug-in)**


A	B	C	D	E	F	G	H	I	J	K	L	M	N	O	P	Q	R	S	T	U	V	W	X	Y	Z	AA	BB	CC	DD	EE	FF
89,2	18	30	11,7	58,7	47,8	26,3	9,4	11,4	17,3	10,5	14,2	38,1	11,2	6,9	13	20,6	24,4	27,4	41,7	61	9,1	13	27,4	41,7	88,9	10,9	14,2	38,1	58,7	21,6	38,1

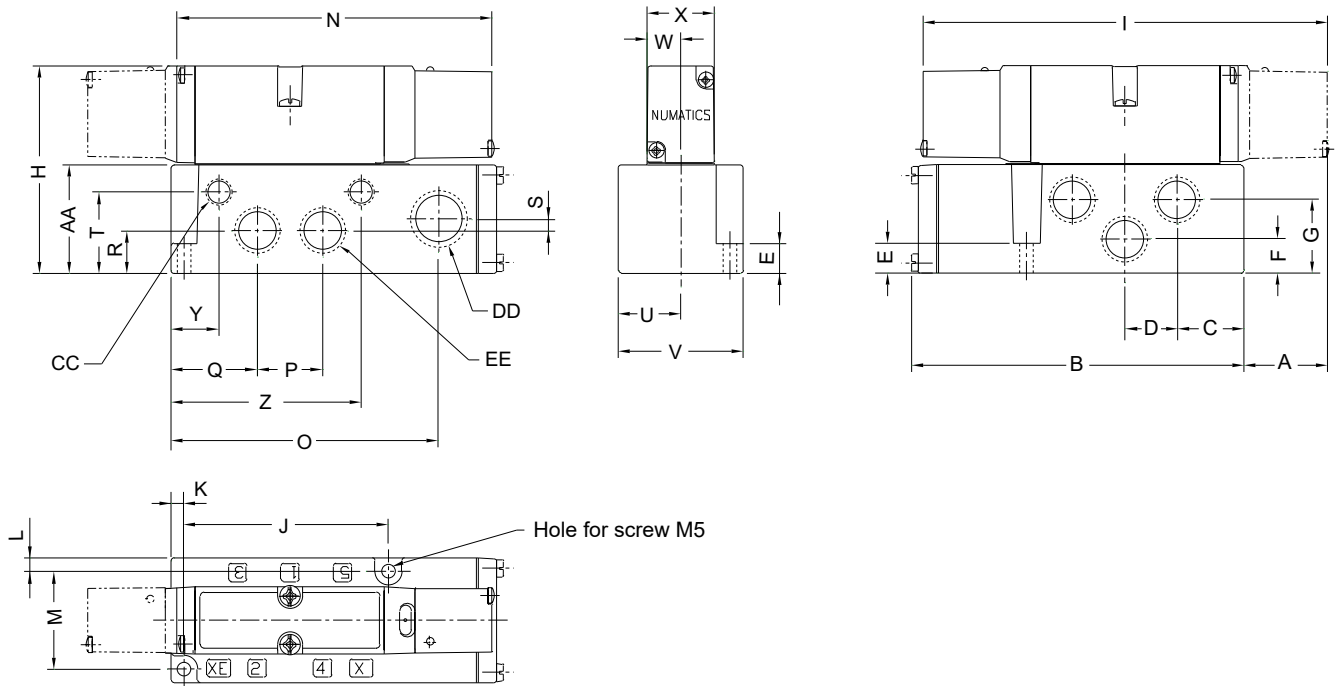
**Dimensions of valve series 2005 - manifold mounting**


It is necessary to add dimensions of selected connectors (see page 5-29)

A	B	C	D	E	F	G	H	I	J	K	L	M	N	O	P	Q	R	S	T	U	V	W	X	Y	Z	AA
118,1	26,9	41,1	35,6	75,8	35,6	8,6	82,3	22,9	12,5	13,5	24,4	35,6	37	56,4	75,9	109,5	19	46,7	66,5	90,4	146,6	3,8	150,4	31,5	47	100,6

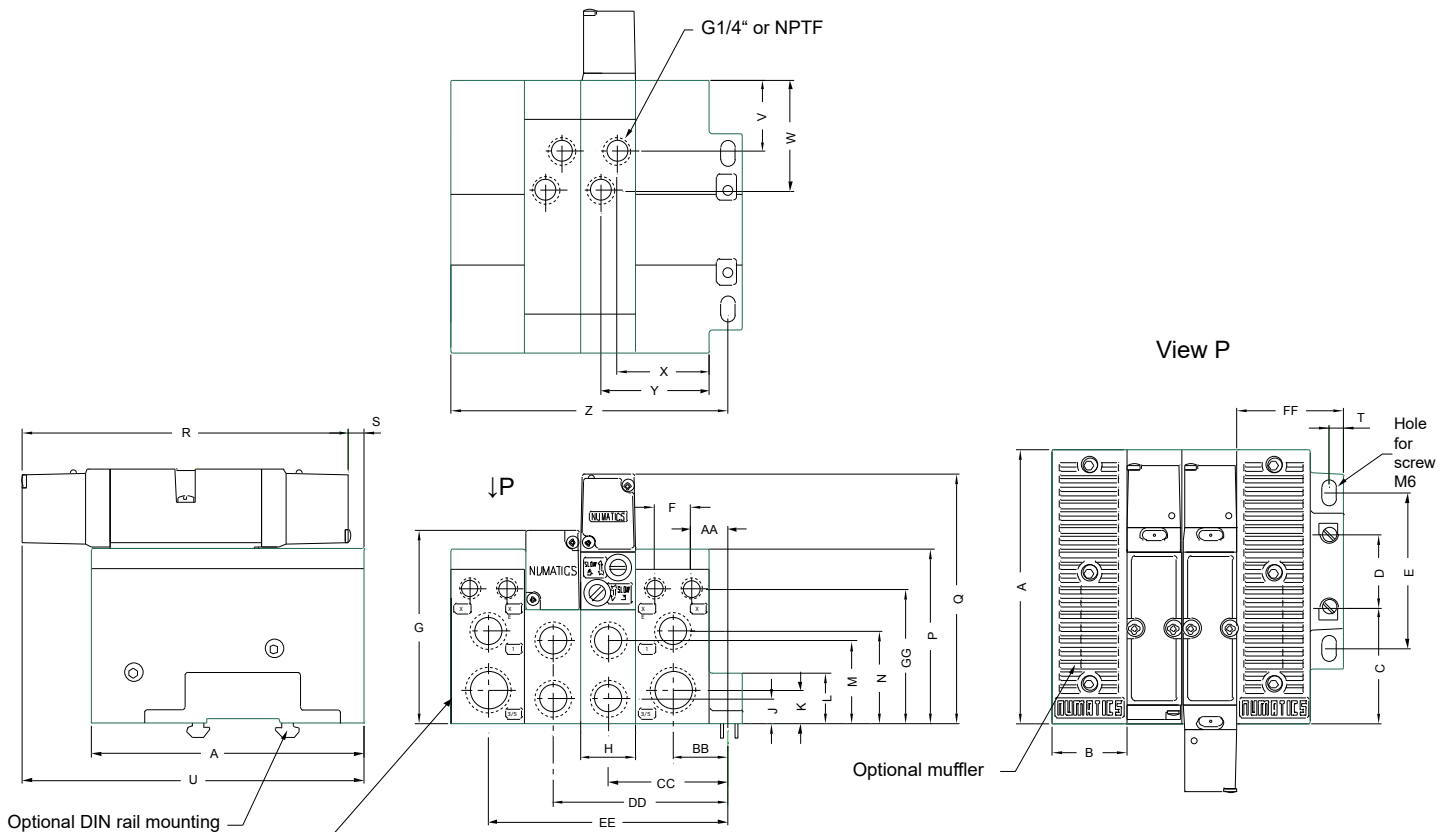
# DIMENSIONS OF SOLENOID ACTUATED VALVES SERIES 2012

## Dimensions of valve series 2012 - valves with individual base



A	B	C	D	E	F	G	H	I	J	K	L	M	N	O	P	Q	R	S	T	U	V	W	X	Y	Z	AA	BB	CC	DD
32,3	130,6	26,2	20,6	11,7	13,5	29	81,5	159	80,3	5,1	5,3	38,4	127	105,2	25,4	33,8	16,5	4,6	31,8	24,6	49	13,2	26,4	17,7	74,7	42,4	3/8"	1/8"	1/2"

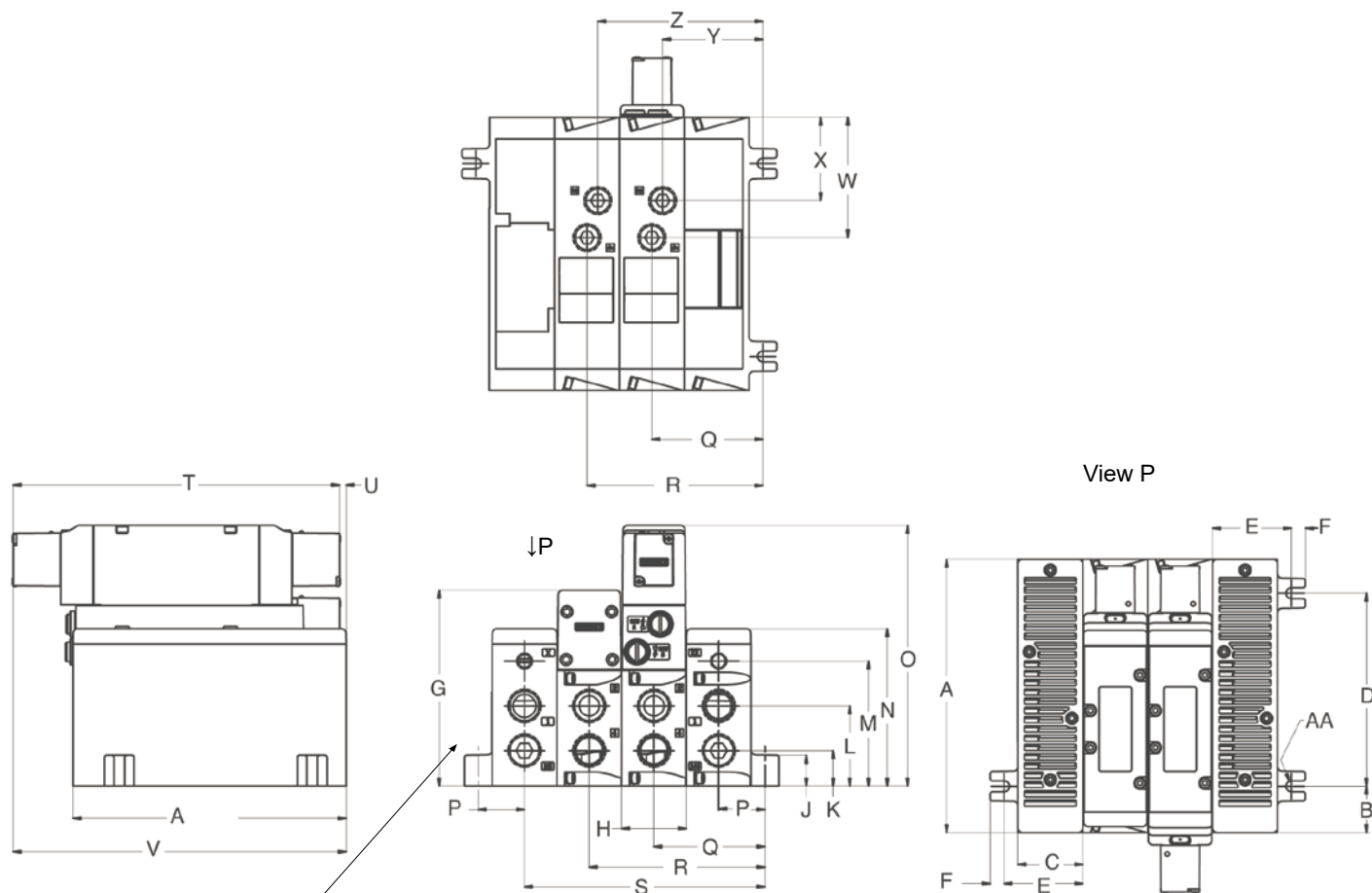
## Dimensions of valve series 2012 - manifold mounting



It is necessary to add dimensions of selected connectors (see page 5-29)

A	B	C	D	E	F	G	H	J	K	L	M	N	P	Q	R	S	T	U	V	W	X	Y	Z	AA	BB	CC	DD	EE	FF	GG
133,3	36,1	54,9	38,1	76,8	18	94,2	26,9	11,9	16	24,6	40,4	45	85,1	121,9	159	7,6	7,4	166,6	36,1	53,8	45,2	53,3	134,6	17,8	26,7	58,2	85,1	115,6	52,1	65,3

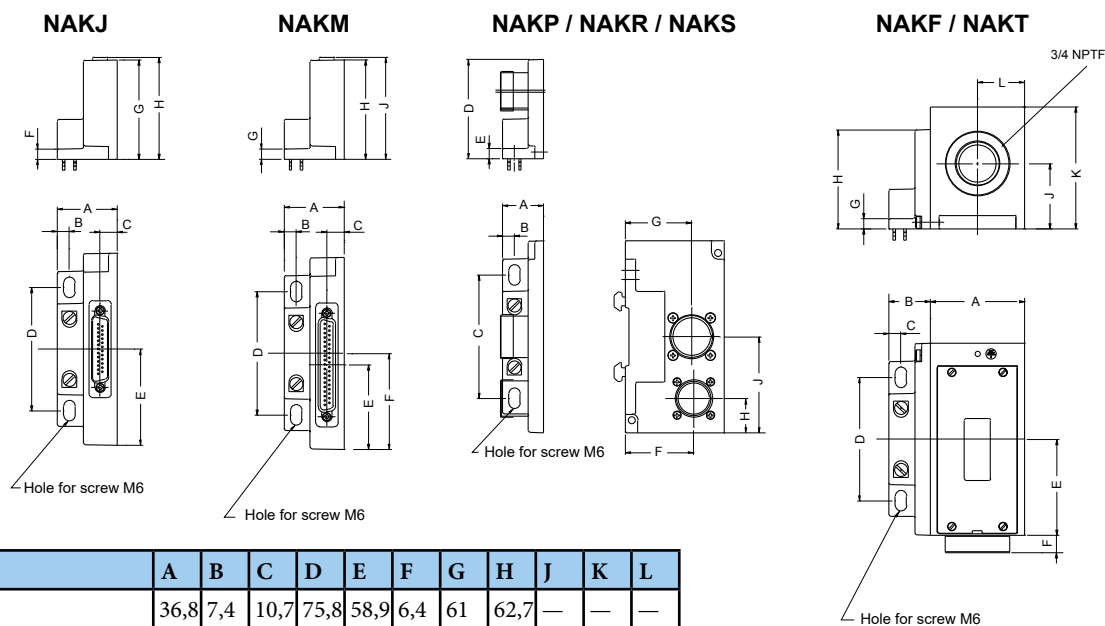
## Dimensions of valve series 2035 - manifold mounting



It is necessary to add dimensions of selected connectors (see page 5-29)

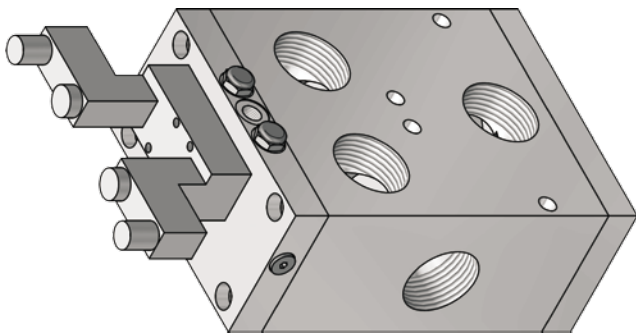
A	B	C	D	E	F	G	H	J	K	L	M	N	O	P	Q	R	S	T	U	V	W	X	Y	Z	AA
177	30	42	125	51	9	127	42	20	23	52	81	102	169	30	72	114	156	211,3	4,4	215,6	78	54	65	72	3,5

## Dimensions of connector plates for manifold assembly of valve series 2005,2012 and 2035



Type	A	B	C	D	E	F	G	H	J	K	L
NAKJ...	36,8	7,4	10,7	75,8	58,9	6,4	61	62,7	—	—	—
NAKM..	36,8	7,4	10,7	75,8	51,8	58,9	6,4	61	62,7	—	—
NAKP... / NAKR... / NAKS...	25,4	7,4	75,8	61	6,4	42,2	40,9	20,8	58,9	—	—
NAKF... / NAKT...	57,9	25,4	7,4	75,8	58,9	10,9	6,4	61	40,1	74,9	29

# SOLENOID ACTUATED HIGH FLOW VALVES



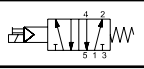

High flow valve series with flow capacity up to 28 000 NI/min is suitable for fast air supply of big appliances, or higher quantity of appliances which are supplied from common distribution. Valves are pilot operated, using smaller, standard electromagnetic actuated valves ISO 5599/1. These pilot valves are designed for external supply of compressed air, however the common supply is possible, but in this case, please contact our technical dept.

This valve series contains rubber gaskets.

Series	G1"	G1 1/2"
Ports	G1"	G1 1/2"
Connection of external pressure supply port	G1/4"	
Connection of pilot (12,14) for pneumatic actuating	G1/8"	
Flow capacity [NI/min]	16 000	28 000
Working pressure [MPa]	0 to 1,0 MPa when external pilot supply is used	
Pilot pressure range [MPa]	0,2 to 0,7	
Power input [W, VA]	2,5W for DC voltage, 6/4,9VA for AC voltage (inrush/hold)	
Response time for DC voltage [ms]	60	70
Response time for AC voltage [ms]	60	70
Temperature range [°C]	medium temperature max. 50, ambient temperature -20 to +50	

## Order codes

25 52 80 90 20 30 000 1

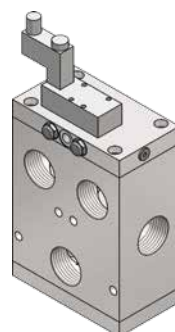
Function		
52 80 90		5/2 monostable (with 1 coil)
52 80 80		5/2 bistable (with 2 coils)

Size	
14	G1"
20	G1 1/2"

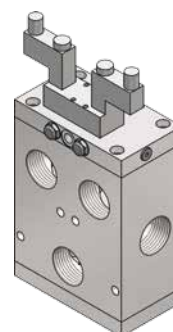
Voltage	
30	24 V DC ± 10%
40	24 V AC ± 10%, 50-60 Hz
60	230 V AC ± 10%, 50-60 Hz

Pilot supply	
2	external (from port X), standard
1*	internal (from port 1)

\*) Please consult with our technical dept.



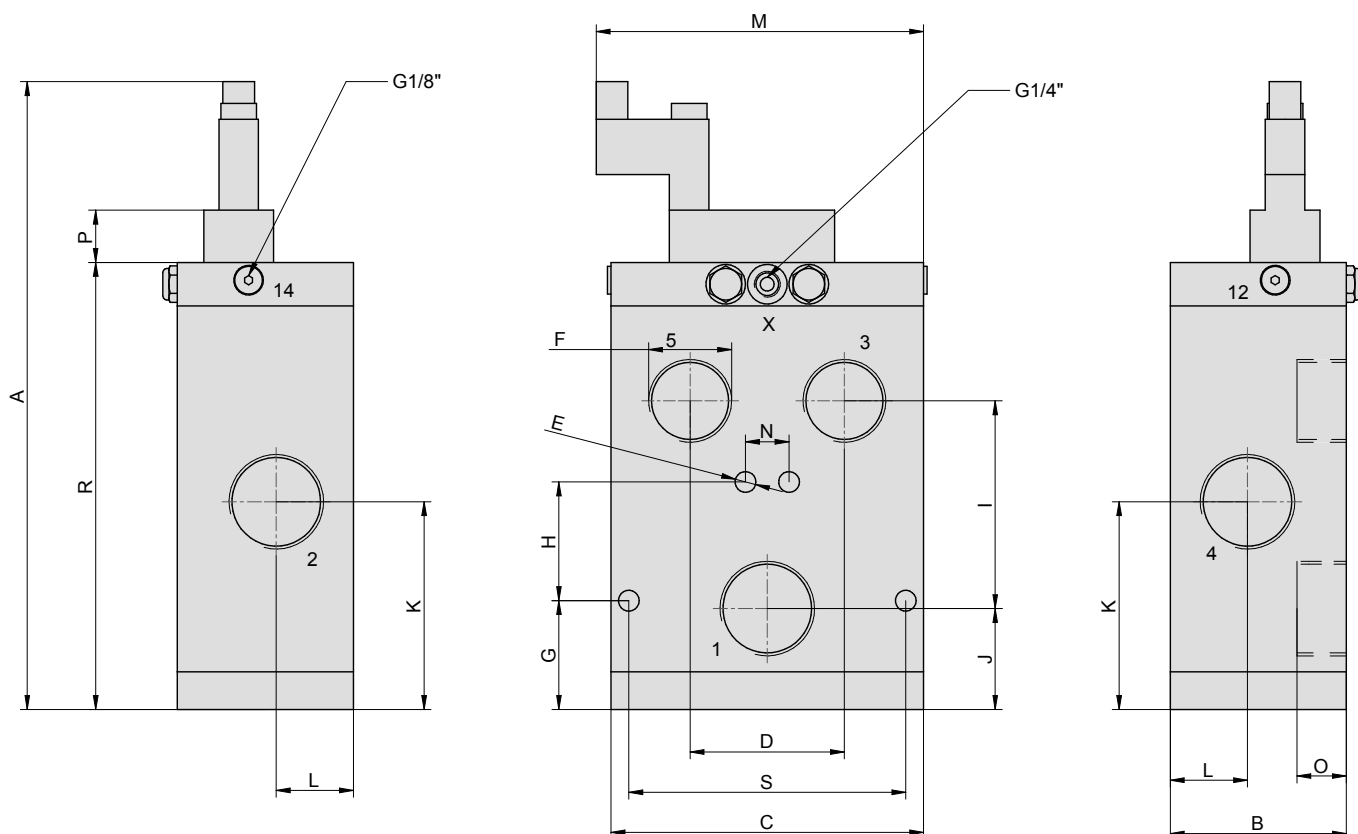
Function 52 80 90



Function 52 80 80

**i** Supply contain connector(s).

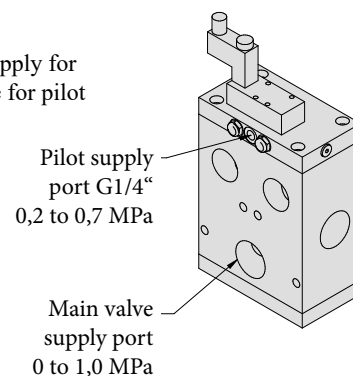


**Dimensions**


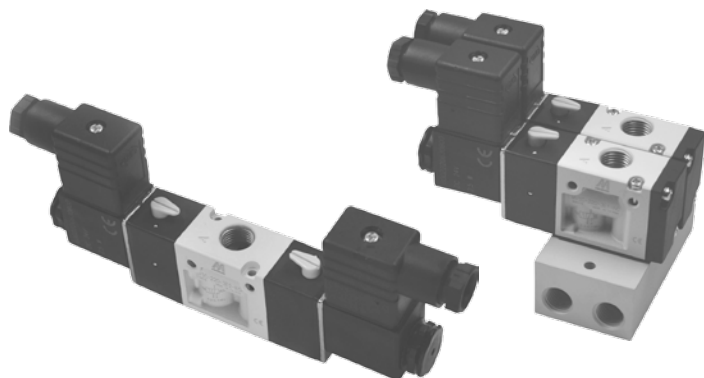
Series	A	B	C	D	E	F	G	H	I	J	K	L	M	N	O	P	R	S	Weight [kg]
52 80 x0 14	317	89	158	78	10,5	G1"	55	60	105	51	105	39	165,5	22	25	26,4	226	140	7,5
52 80 x0 20	317	89	158	78	10,5	G1 1/2"	55	60	105	51	105	39	165,5	22	25	26,4	226	140	7,5

**Notes for connecting of valve**

Valves are designed for independent, external air pilot supply (port X). It is not recommended, to merge air supply for main valve and for pilot valve, because a big flow through main valve may cause serious dropping of pressure for pilot valve and malfunction may occur.



# SOLENOID ACTUATED VALVES SERIES MVSC



The valve series, which replaces valves series K. The basic usable features are kept and brings some improvements such as lower wattage, comparable or bigger flow capacity and better accessibility. Valves are solenoid pilot actuated. The product range covers functions 3/2 normally closed, opened and double solenoid. Connector and coil are included in delivery.

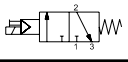
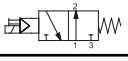
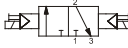
This valve series contains rubber gaskets.

Series	MVSC 220	MVSC 300	MVSC 460
Ports	G1/4"	G3/8"	G1/2"
Flow capacity [NI/min]	980	1905	2730
Working pressure [MPa]	0,2 to 0,7		
Power input [W, VA]	2,5W for DC voltage, 6/4,9VA for AC voltage (inrush/hold)		
Response time [ms]	30	50	50
Coil voltage tolerance	±10%		
Temperature range [°C]	ambient temperature -5 to +50		
Enclosure	IP65 with sealed and fastened connector		

## Order codes

### PMVSC 220 3E1C A220

Size	
220	series MVSC 220, thread G1/4"
300	series MVSC 300, thread G3/8"
460	series MVSC 460, thread G1/2"

Function		
3E1C		3/2 normally closed
3E1O		3/2 normally opened
3E2		3/2 bistable (with 2 coils)

Voltage	
D12	12 V DC ± 10%
D24	24 V DC ± 10%
A220	230 V AC ± 10%, 50-60 Hz
A24	24 V AC ± 10%, 50-60 Hz

**i** Supply contain connector(s).

## Order codes of manifolds

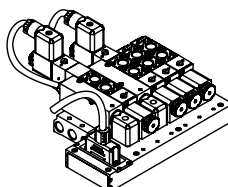
### PMVS C220 - 3B 4

Size	
C220	series MVSC and MVAA 220, thread G1/4"
C300	series MVSC 300, thread G3/8"
C460	series MVSC and MVAA 460, thread G1/2"

Number of positions	
2 to 10	for 2 to 10 valves

It is possible to mount series MVSC and MVAA valves on manifold with predefined number of position. It isn't possible to add another position to created assembly - it could be necessary to replace manifold or create another manifold. If there is possibility that more valves will be needed in future, we recommend to use manifold with more positions and use blocking plates for unused positions. Valves are mounted to manifold directly - no adaptor is necessary. Valves mounted on manifold could be unmounted separately by unscrew of 2 bolts, which are accessible from top side (side with ports 2 and 4 of valves). Each separate coil must be wired with separate electrical cable.

**i** Manifolds with internal wiring and common 25-pin SUB-D connector are also available. These manifolds are for valves series 220 and 300. Number of stations is 3 to 12 as standard, maximum is 20. Voltage of coils is 24V DC. For more information about these manifolds, please contact our technical department.

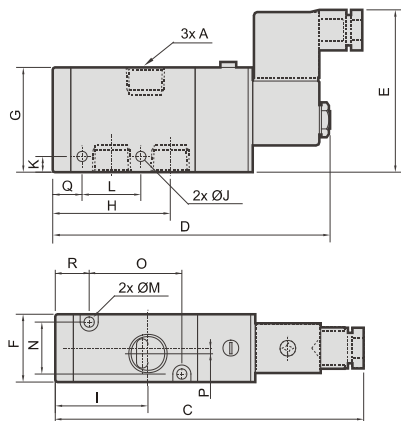


Order codes for blank station plates:

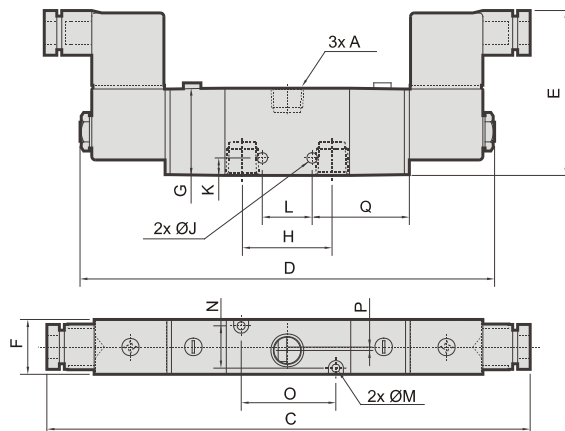
Series	Order codes
220	PMVSC 220 -3P
300	PMVSC 300 -3P
460	PVMSC 460 -3P

**Dimensions of valve series MVSC**

Type 3/2 NC and NO:



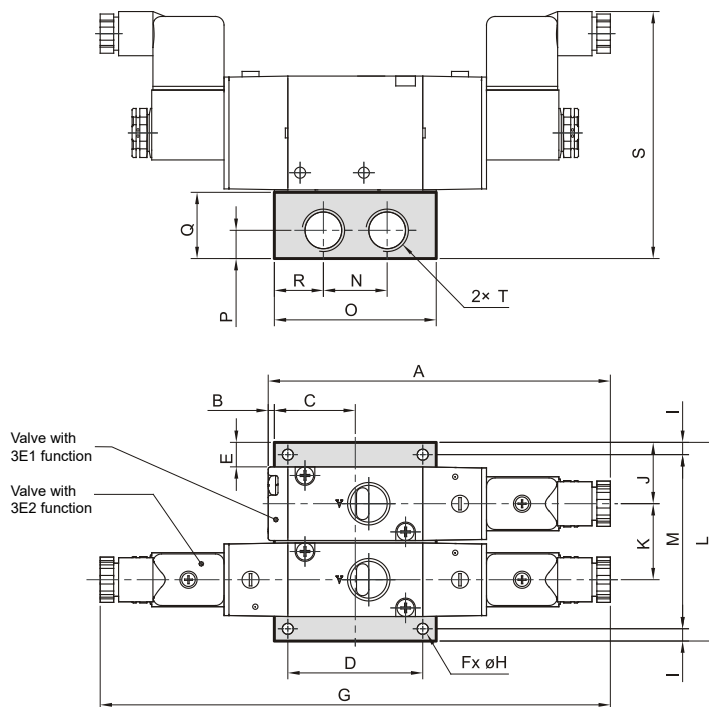
Type 3/2 with 2 coils:



Series	Function	A	C	D	E	F	G	H	I	J	K	L	M	N	O	P	Q	R	Weight [kg]
220	3E1	G1/4"	120	105,5	67	22,3	35	35	26	4,2	26,5	25	3,2	17	25	2	13,5	13,5	0,20
	3E2	G1/4"	188	159	68	22,3	35	18	—	4,2	26,5	25	3,2	17	25	2	30,5	—	0,30
300	3E1	G3/8"	139,5	126,5	73	30	46,4	52	41	4,5	4,7	26	4,5	23	41	0	13	15	0,35
	3E2	G3/8"	208	182	73	30	46,4	26	—	4,5	4,7	26	4,5	23	41	0	50	—	0,44
460	3E1	G1/2"	146	133	73	30	46,4	56	40,5	4,5	7	29	4,2	23	48	2,3	12,5	15	0,35
	3E2	G1/2"	214	188	73	30	46,4	29	—	4,5	7	29	4,2	23	48	2,3	54,5	—	0,44

**Dimensions of manifold assemblies of valves series MVSC and MVAA**

Series	Value	Number of positions								
		2	3	4	5	6	7	8	9	10
220	L	77	100	123	146	169	192	215	238	261
	M	65	88	111	134	157	180	203	226	249
	Weight [kg]	0,20	0,26	0,32	0,38	0,44	0,50	0,56	0,63	0,69
300	L	81	112	143	174	205	236	267	298	329
	M	71	102	133	164	195	226	257	288	319
	Weight [kg]	0,31	0,43	0,55	0,66	0,78	0,90	1,02	1,14	1,26
460	L	81	112	143	174	205	236	267	298	329
	M	71	102	133	164	195	226	257	288	319
	Weight [kg]	0,36	0,50	0,65	0,79	0,93	1,07	1,20	1,36	1,50


**Spare coils for series 220/300/460**

Order codes	Voltage	Power input
PMVSC220-COD12	12V DC	3,1 W
PMVSC220-COD24	24V DC	2,5 W
PMVSC220-COA24	24V 50-60 Hz	5,8 VA
PMVSC220-COA110	110V 50-60 Hz	4,9 VA
PMVSC220-COA220	230V 50-60 Hz	5,0 VA

Series	A	B	C	D	E	F	G	H	I	J	K	N	O	P	Q	R	S	T
220	120	5	21	0	15,5	2	188	4,5	6	27	23	22	42	10	28	10	96	G1/4"
300	139,5	2,5	33	55	10	4	208	4,5	5	25	31	26	66	11,5	27	20	101	G3/8"
460	146	3	36	60	10	4	214	4,5	5	25	31	30	72	15	32	21	106	G1/2"

# SOLENOID ACTUATED VALVES SERIES NAF



Series of poppet seat valves 2/2 and 3/2 with indirect actuating offers all functions which you need. Normally open as well as normally closed versions are available. Due to construction, these valves are reliable and offers maximal flow capacity.

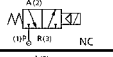
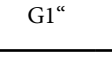

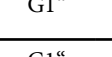

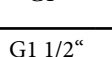
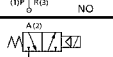
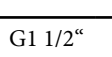
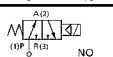
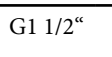
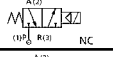




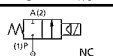


This valve series contains rubber gaskets.

Ports	G1/8"	G1/4"	G3/8"	G1/2"	G3/4"	G1"	G1 1/2"
Flow capacity [Nl/min]	580	1100	1500	5400	6500	13500	35000
Working pressure [MPa]*	0,15 to 1,0	0,16 to 1,0	0,16 to 1,0	0,2 to 1,0	0,2 to 1,0	0,22 to 1,0	0,25 to 1,0
Power input for DC coils [W]	3,5			11			
Power input for AC coils [VA]	7,8 inrush, 5 hold			16 inrush, 10 hold			
Response time energize / de-energize [ms] NC	15 / 20	20 / 23	20 / 23	17 / 27	17 / 27	20 / 32	47 / 22
Response time energize / de-energize [ms] NO	15 / 20	15 / 20	15 / 20	30 / 22	30 / 22	28 / 23	55 / 20
Temperature range [°C]	medium temperature max. 60, ambient temperature -5 to +50						
Coil type	type 22	type 22	type 22	type A	type A	type A	type A

\*) For vacuum, the NAG series is available - please contact our technical or sales dept. for more information.

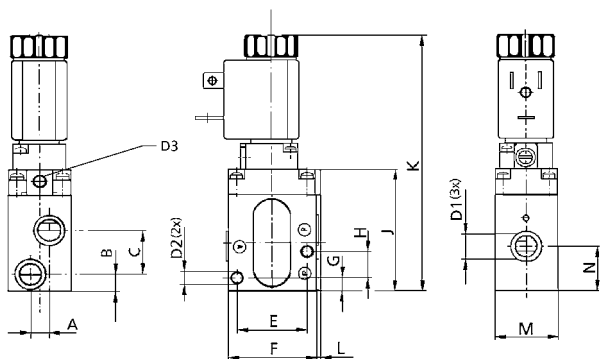
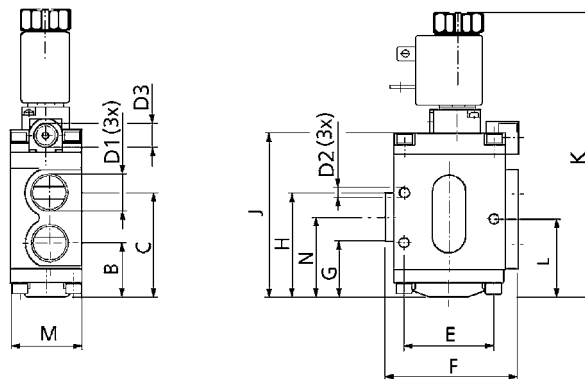
## Order codes

### NAF25 100G 61

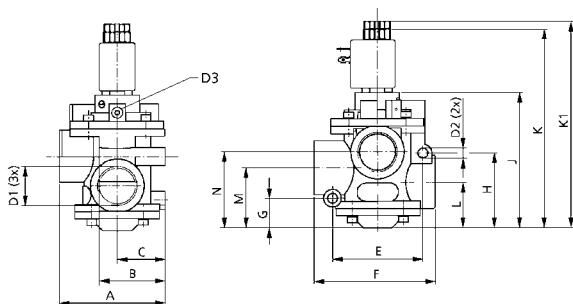
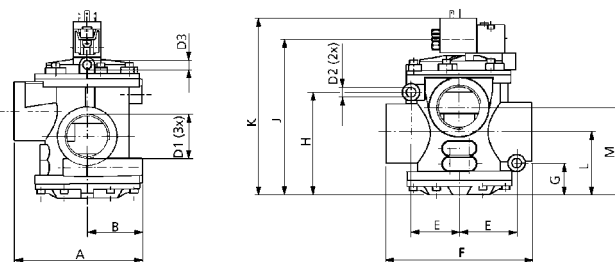
Size		Function, port size			Function, port size			Voltage	
NAF25	series NAF	000G	G1/8"		450G	G1"		60	12 V DC ± 10%
		010G	G1/8"		460G	G1"		61	24 V DC ± 10%
		100G	G1/4"		470G	G1"		40	230 V AC ± 10% 50-60 Hz
		110G	G1/4"		610G	G1 1/2"		30	110 V AC ± 10% 50-60 Hz
		200G	G3/8"		650G	G1 1/2"		20	24 V AC ± 10% 50-60 Hz
		210G	G3/8"		670G	G1 1/2"			
		300G	G1/2"						
		310G	G1/2"						
		320G	G1/2"						
		400G	G3/4"						
		410G	G3/4"						
		420G	G3/4"						

**i** For connectors for valves see page 5-46.

**i** For vacuum, the NAG series is available - please contact our technical or sales dept. for more information.

**Dimensions of valve series NAF**
**Port size G1/8"**

**Port size G1/4" and G3/8"**


Port size	A	B	C	D1	D2	D3	E	F	G	H	J	K	L	M	N	Weight [kg]
G1/8"	7,5	7	17,5	G1/8"	4,5	G1/8"	28	36	5,3	10,5	48,5	102	1,9	25	17,8	0,25
G1/4"	—	24	47	G1/4"	4,5	G1/8"	40	60	25	47	74	129	35,5	32	36	0,58
G3/8"	—	24	47	G3/8"	4,5	G1/8"	40	60	25	47	74	129	35,5	32	36	0,56

**Port size G1/2" to G1"**

**Port size G1 1/2"**


Port size	A	B	C	D1	D2	D3	E	F	G	H	J	K	K1	L	M	N	Weight [kg]
G1/2"	75	47	35	G1/2"	6,4	G1/8"	63	78,5	21	54,5	100	150	154	30	41	50,5	1,19
G3/4"	75	47	35	G3/4"	6,4	G1/8"	63	78,5	21	54,5	100	150	154	30	41	50,5	1,13
G1"	89	55	40	G1"	8,4	G1/8"	76	101	25,5	62,5	115	167	174	38	51	64	1,62
G1 1/2"	138	59	—	G1 1/2"	10,8	G1/8"	51	158	34	113	170	192,5	—	68	96	—	2,27

**Coils for valve series NAF**

Order codes	Port size	Voltage	Connector type	Weight [kg]
NDA0050	G1/8" to G3/8"	12V DC	type 22	0,06
NDA0051	G1/8" to G3/8"	24V DC	type 22	0,06
NDA0106	G1/8" to G3/8"	24V 50-60 Hz	type 22	0,06
NDA0108	G1/8" to G3/8"	110V 50-60 Hz	type 22	0,06
NDA0124	G1/8" to G3/8"	230V 50-60 Hz	type 22	0,06
NDB0501	G1/2" to G1 1/2"	12V DC	type A	0,10
NDB0502	G1/2" to G1 1/2"	24V DC	type A	0,10
NDB0507	G1/2" to G1 1/2"	24V 50-60 Hz	type A	0,10
NDB0509	G1/2" to G1 1/2"	110V 50-60 Hz	type A	0,10
NDB0510	G1/2" to G1 1/2"	230V 50-60 Hz	type A	0,10



# SOLENOID ACTUATED VALVES SERIES MVDC



Small, direct actuated valve 3/2 or 2/2 normally closed with manual override. Valve can be used as a standalone or can be mounted together with other valves as manifold mounting. This manifold can be expanded at any time, valve and set of screws are required.

This valve series contains rubber gaskets.

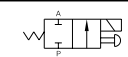

Series	MVDC
Ports	G1/8" *
Flow capacity [Nl/min]	60
Working pressure [MPa]	0,1 to 0,7
Power input [W, VA]	2,5W for DC voltage, 6VA for AC voltage (inrush/hold)
Time response [ms]	20
Coil voltage tolerance	±10%
Temperature range [°C]	ambient temperature -5 to +50
Enclosure	IP65 with sealed and fastened connector

\*)Port 3 is covered by plastic nut which is used as exhaust

## Order codes

PMVDC 220 3E1 A220

Size	
220	series MVDC 220, thread G1/8"

Function		
2E1		2/2 normally closed
3E1		3/2 normally closed

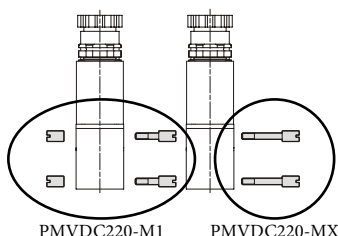
Voltage	
D12	12 V DC ± 10%
D24	24 V DC ± 10%
A220	230 V AC ± 10%, 50-60 Hz
A24	24 V AC ± 10%, 50-60 Hz

**i** Supply contain connector(s).

## Order codes of manifold screw sets

PMVDC 220 - M 1

Screw set	
1	for first valve
X	for next valve in manifold



The screw sets are necessary for assembly the manifold of the valves. There are two sets available - set for first valve, which contains 2 nuts and 2 short screws and set for next valve, which contains 2 long screws - the required number of sets for next valves is about one set less than the total number of valves in the assembly (for example for 4 valves in manifold, 1 set of PMVDC220-M1 and 3 sets of PMVDC220-MX are required).

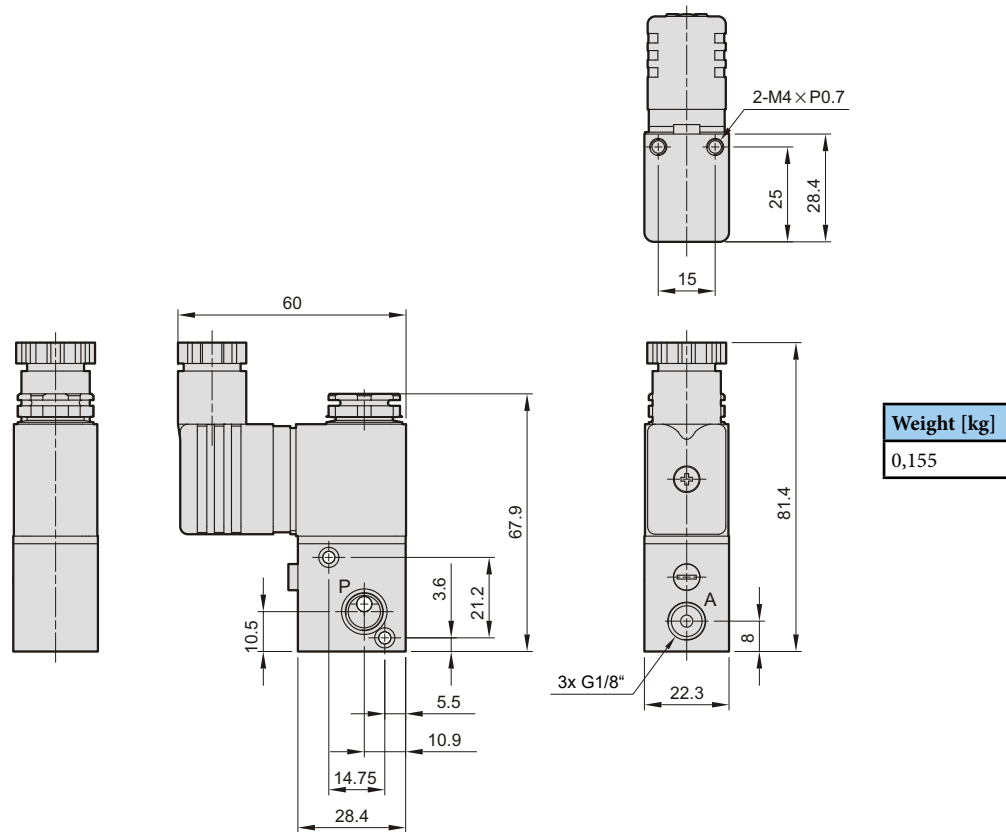
## Order code of bracket

PMVDC 220 - B

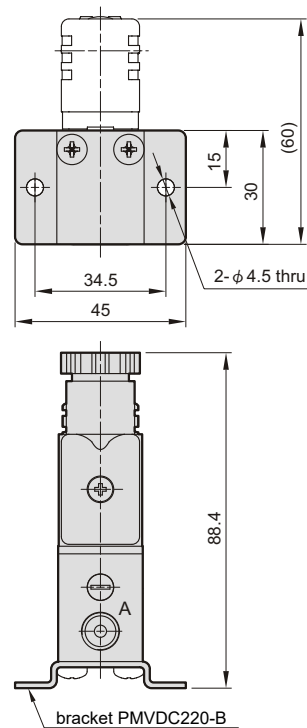
Bracket type	
B	bottom bracket

Bracket is attached to the bottom of the valve and holes for fixing of the assembly of bracket and valve are accessible from the upper side (they are next to the valve). Bracket can be used for standalone valves as well as for manifolds (for first and the last valve in manifold).

**Dimensions of valve series MVDC**



**Dimensions of valve series MVDC with bracket**





# SOLENOID ACTUATED VALVES SERIES MBS

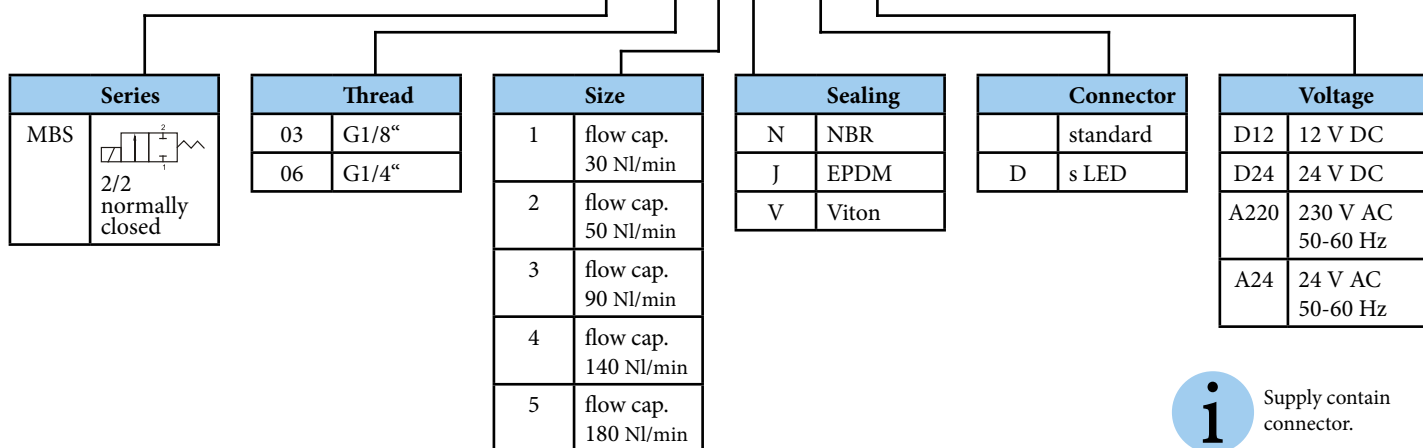


Direct solenoid actuated valve 2/2 normally closed with orifice 1 to 2,4 mm. The following sealing are available: NBR, EPDM and viton (teflon on request). Available fluid: air, inert gas, water, vacuum, oil, etc. Coil with Ex approval EExm II T4, or EEx ia II C T6 PTB are available on request.

Series	MBS				
Ports	G1/8", G1/4"				
Size	1	2	3	4	5
Flow capacity [NI/min]	30	50	90	140	180
Working pressure [MPa] for AC voltage	0 to 4,0	0 to 3,5	0 to 3,0	0 to 2,5	0 to 2,0
Working pressure [MPa] for DC voltage	0 to 3,0	0 to 2,4	0 to 1,2	0 to 1,0	0 to 0,7
Power input [W, VA]	6,8W for DC voltage, 8VA for AC voltage - inrush, 6VA hold				
Coil voltage tolerance	±8%				
Temperature range [°C]	ambient temperature -15 to +50, medium temperature -5 to +80 for NBR sealing, , -10 to +120 for EPDM and viton sealing				
Enclosure	IP65 with sealed and fastened connector				
Installing position	free, coil upright is recommended				
Housing material	brass				

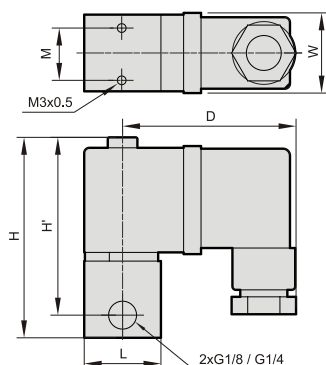
## Order codes

P MBS 03 2 N 3 D D24



**i** Supply contain connector.

## Dimensions



Ports thread	D	H	H'	L	M	W	Weight [kg]
G1/8"	50	57	51	□22	15	23	0,15
G1/4"	50	61	51	33	11,2	23	0,15

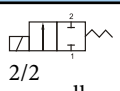


Direct solenoid actuated valve 2/2 normally closed with orifice up to 4 mm, as extension of series MBS. The following sealing are available: NBR, EPDM and viton (teflon and other on request). Available fluid: air, inert gas, water, vacuum, oil, etc. Coil with Ex approval EExm II T4, or EEx ia II C T6 PTB are available on request.

Series	MCS				
Ports	G1/4", G3/8", G1/2"				
Size	1	2	3	4	5
Flow capacity [NI/min]	120	180	240	370	530
Working pressure [MPa] for AC voltage	0 to 4,0	0 to 3,0	0 to 2,0	0 to 1,5	0 to 1,0
Working pressure [MPa] for DC voltage	0 to 3,0	0 to 2,0	0 to 1,5	0 to 1,0	0 to 0,7
Power input [W, VA]	18,5W for DC voltage, 46VA for AC voltage - inrush, 23VA hold				
Coil voltage tolerance	±8%				
Temperature range [°C]	ambient temperature -15 to +50, medium temperature -5 to +80 for NBR sealing, -10 to +145 for EPDM sealing and -10 to +160 for viton sealing				
Enclosure	IP65 with sealed and fastened connector				
Installing position	free, coil upright is recommended				
Housing material	brass				

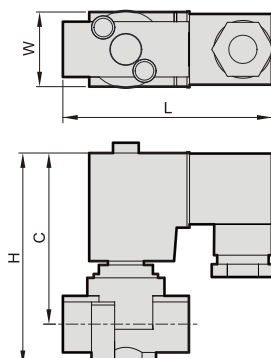
### Order codes

P MCS 06 2 N 5 D D24

Series	Thread	Size	Sealing	Connector	Voltage
MCS  2/2 normally closed	06 G1/4" 10 G3/8" 15 G1/2"	1 flow cap. 120 NI/min 2 flow cap. 180 NI/min 3 flow cap. 240 NI/min 4 flow cap. 370 NI/min 5 flow cap. 530 NI/min	N NBR J EPDM V Viton	standard D s LED	D12 12 V DC D24 24 V DC A220 230 V AC 50-60 Hz A24 24 V AC 50-60 Hz

**i** Supply contain connector.

### Dimensions



Ports thread	L	H	C	W	Weight [kg]
G1/4"	49	86	71	36	0,4
G3/8"	49	86	71	36	0,4
G1/2"	56	86	73	36	0,4

# CONNECTORS FOR SOLENOID ACTUATED VALVES AND FOR ELECTRONIC SYSTEMS

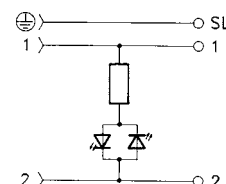
## Standard connector type 22 with cable grommet PG9

Order codes	Type	Voltage [V]	Wiring	Colour	Weight [kg]
N230-363	standard	up to 250	—	grey	0,02
N230-364	standard	up to 250	—	black	0,02
N230-391	with red LED	10 to 50	a	transparent	0,02
N230-392	with red LED and varistor	10 to 30	b	transparent	0,02
N230-393	with red LED	70 to 250	a	transparent	0,02
N230-394	with red LED and varistor	70 to 250	b	transparent	0,02

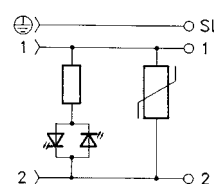


### Wiring

Wiring a

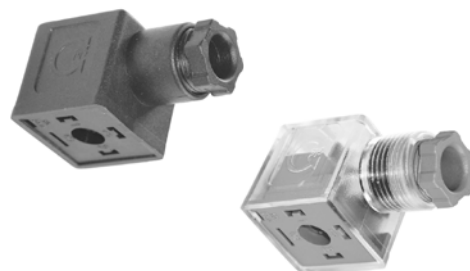


Wiring b



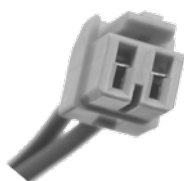
## Connector DIN 43650, form A, type 30 with cable grommet PG9

Order codes	Type	Voltage [V]	Wiring	Colour	Weight [kg]
N230-592	standard	up to 250	—	grey	0,02
N230-593	standard	up to 250	—	black	0,02
N230-582	with red LED	10 to 50	a	transparent	0,02
N230-567	with red LED and varistor	10 to 30	b	transparent	0,02
N230-584	with red LED	70 to 250	a	transparent	0,02
N230-585	with red LED and varistor	70 to 250	b	transparent	0,02



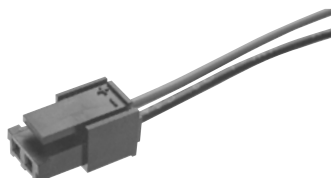
## Plug connector with cable for valve series MVSY

Order codes	Type
PMVSY-C5	straight, cable 5 m
PMVSY-C10	straight, cable 10 m



## Plug connector with cable for valve series 2002

Order codes	Type
N230-443	straight, cable 0,3 m
N230-476	straight, cable 1,7 m
N230-486	straight, cable 3,0 m

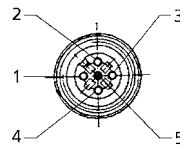


## Connector M12

Order codes	Type	Weight [kg]
N230-957	straight	0,03
N230-956	elbow	0,03

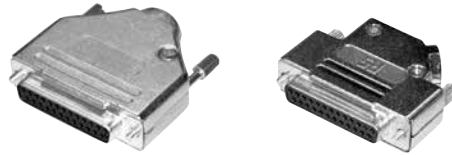
Pin	Meaning	Colour
2	RxD/TxD-N	green
4	RxD/TxD-P	red
5	shielding	

Pins 1 and 3 are not connected.



## Connector 25 pin SUB-D

Order codes	Type
N230-733	straight cable outlet
N230-945	side cable outlet



## Connector 37 pin SUB-D

Order codes	Type
N230-952	straight cable outlet



## Connector 12 pin, round

Order codes	Type
N230-960	straight cable outlet



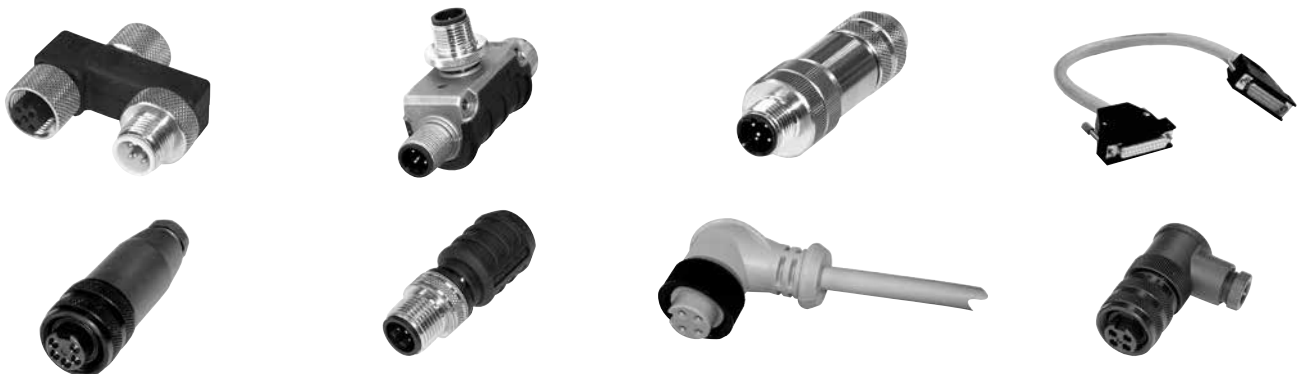
## Connector 26 pin, round

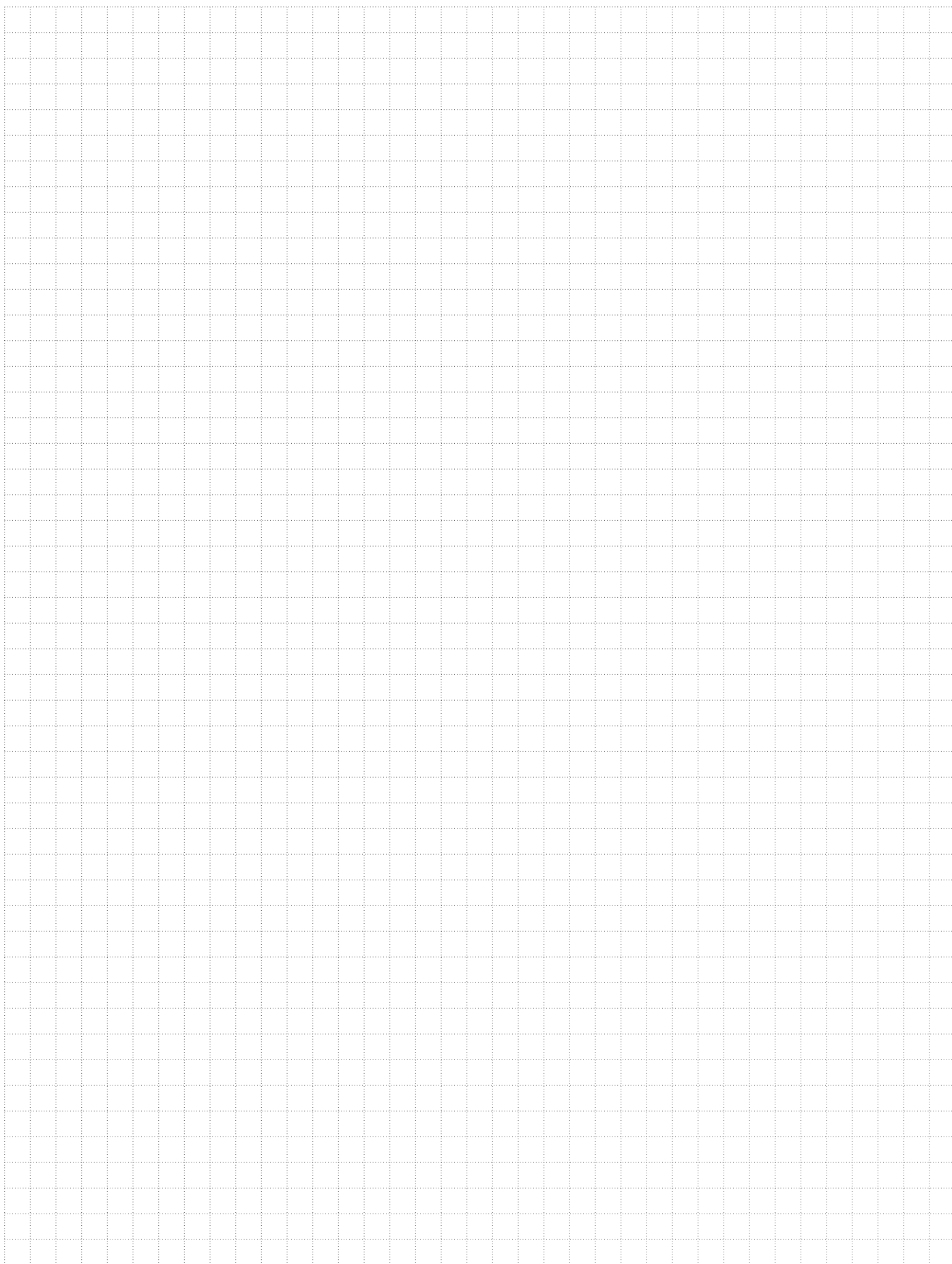
Order codes	Type
N230-742K	straight cable outlet








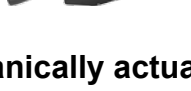

All connectors may delivered with connected cable. Cable length may be arbitrary.

Wide range of connectors for electronic BUS systems is available on request









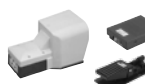
**Manually actuated 3/2, 4/2, 5/2, 4/3 and 5/3 function valves**

	Series MVMB and MVMC for panel mounting ..... <i>G1/8", G1/4"</i>	6-2
	Series MVHB with vertical lever ..... <i>G1/4", G3/8", G1/2"</i>	6-4
	Series MVHC with twist lever ..... <i>G1/4", G3/8", G1/2"</i>	6-5
	Lever valve series ..... <i>G1/4"</i>	6-6
	Draw bar valve series ..... <i>G1/4"</i>	6-6
	Two hand safety valve ..... <i>G1/8"</i>	6-7
	Two-handed safety valves ..... <i>G1/4"</i>	6-8



**Mechanically actuated 3/2 and 5/2 function valves**

	Stem valves ..... <i>G1/8", G1/4"</i>	6-9
	Roller lever valves ..... <i>G1/8", G1/4"</i>	6-10
	Roller lever valves with idle return ..... <i>G1/8", G1/4"</i>	6-11

**Foot actuated 3/2, 4/2 and 5/2 function valves**

	Series MVFA ..... <i>G1/4"</i>	6-12
	Other foot series ..... <i>G1/4", 4/2, 6/4</i>	6-13

**Pneumatically actuated 3/2, 5/2 and 5/3 function valves**

	Series MVAA ..... <i>G1/4", G1/2"</i>	6-14
	High flow valve series ..... <i>G1", G1 1/2"</i>	6-16



# MANUALLY ACTUATED VALVES SERIES MVMB AND MVMC FOR PANEL MOUNTING




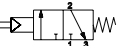
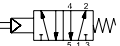
The new valve series, which replaces the old valve series for panel mounting with replaceable actuators. basic usable features are kept and brings some improvements such as bigger flow capacity, better accessibility and not least also better comfort during mounting and changing of actuators. Bigger actuators also brings the better user comfort during the actuating. The valves can be mounted into the panel with hole dia. 25 mm, or by using holes on the valve body. The big variability allows also changing of actuator anytime during operation - just turn off/on 2 screws on the side of valve and actuator is unlocked/locked.

This valve series contains rubber gaskets.

Series	MVMC 210	MVMB 220 3	MVMB 220 4
Ports	G1/8"	G1/4"	G1/4" (G1/8" for exhaust ports 3 and 5)
The way of actuation	direct	indirect (with pilot valve)	indirect (with pilot valve)
Actuating force at 0,6 MPa [N]	30	20	20
Flow capacity [Nl/min]	1050	1000	1000
Working pressure [MPa]	0 to 0,99	0,15 to 0,8	0,15 to 0,8
Weight [kg]	0,155	0,21	0,18
Temperature range [°C]	ambient temperature -5 to +60		

## Order codes of valves

### PMVM B2203

Function	
C2103	 Series MVMC, thread G1/8", 3/2 normally closed and opened
B2203	 Series MVMB, thread G1/4" 3/2 normally closed
B2204	 Series MVMB, thread G1/4" 5/2

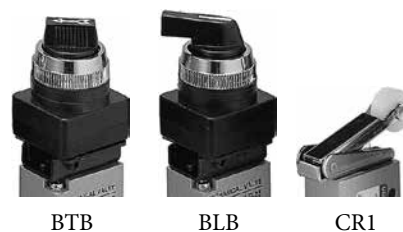
**i** Valve PMVMC2103 can be connected as normally open or normally closed. The air supply should be connected to the port marked NC or NO.

## Order codes of actuators

### PMVM BPPR



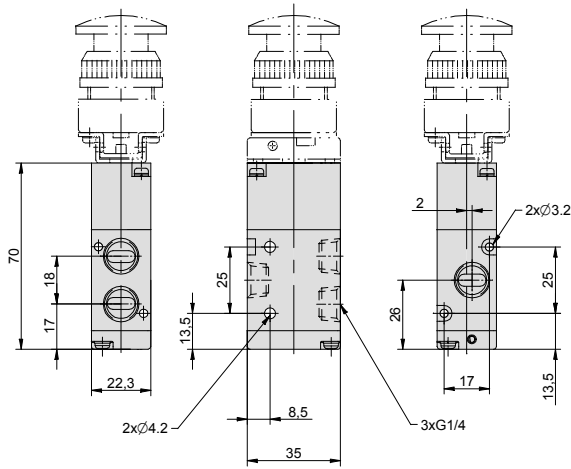
Function	
BPPB	push button black
BPPR	push button red
BPPG	push button green
BPBB	mushroom push button black
BPBR	mushroom push button red
BPBG	mushroom push button green
BEB	twist to release mushroom push button red
BTB	selector switch black
BLB	extended selector switch black
CR1	roller lever (only for PMVMC2103 valve)



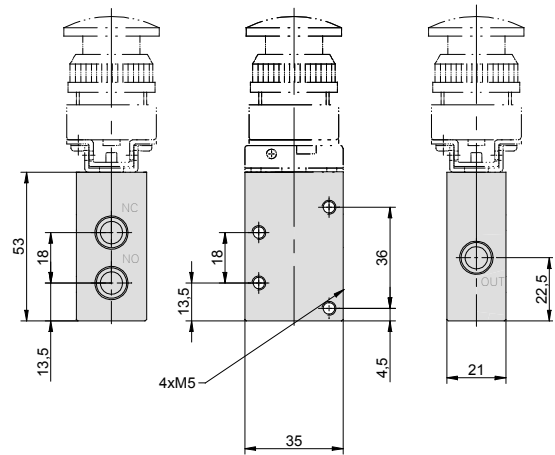


## Dimensions

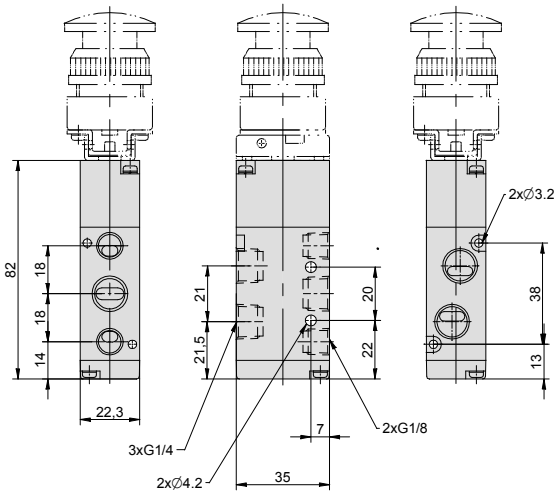
Type MVMB2203



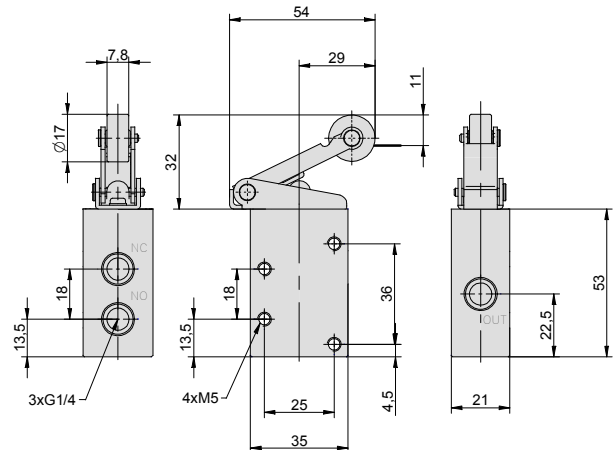
Type MVMC2103



Type MVMB2204

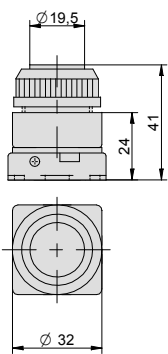


Type MVMC2103 with PMVMCR1 roller lever actuator

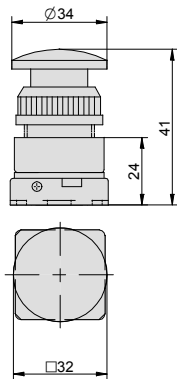


## Actuators

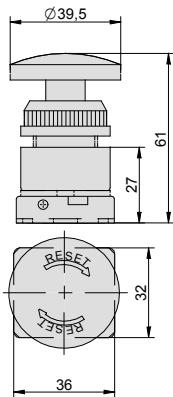
MVMBPPx



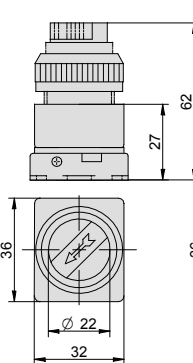
MVMBPBx



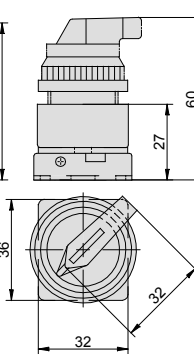
MVMBEB



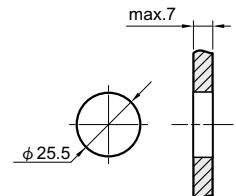
MVMBTB



MVMBLB



Panel mounting hole



# MANUALLY ACTUATED VALVES SERIES MVHB WITH VERTICAL LEVER



Valves are available with or without detent as well as functions 5/2 and 5/3 with closed, pressured or exhausted centre. Valves can be mounted by using the holes on the valve body, type MVHB 220 can be also mounted into the panel with hole dia. 18,5 mm.


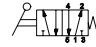
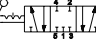
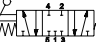
This valve series contains rubber gaskets.

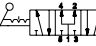

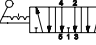
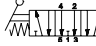
Series	MVHB 220	MVHB 300	MVHB 500
Ports	G1/4" (G1/8" for exhaust ports 3 and 5)	G3/8"	G1/2"
Flow capacity [Nl/min]	1000, or 890 for 5/3 function	1880 for 5/2 and 5/3 function	2270 for 5/2 and 5/3 function
Working pressure [MPa]	0 to 0,80	0 to 1,20	0 to 1,20
Weight [kg]	0,193, or 0,234 for 5/3 function	0,438, or 0,487 for 5/3 function	0,519, or 0,560 for 5/3 function
Temperature range [°C]	ambient temperature -5 to +60		

## Order codes

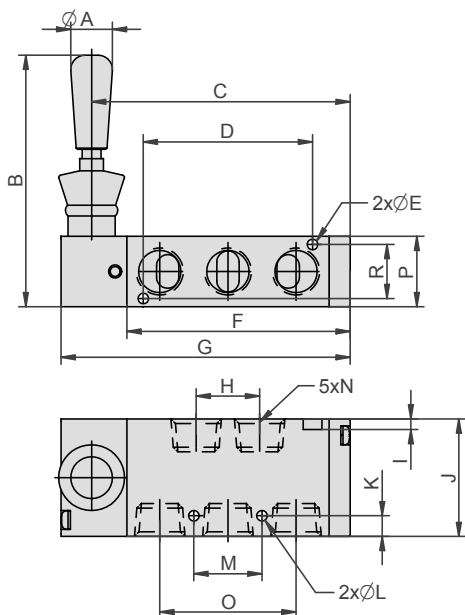
### PMVHB 220 4TV SPM

Size	
220	series MVHB 220, thread G1/4"
300	series MVHB 300, thread G3/8"
500	series MVHB 500, thread G1/2"

Function	
M	 5/2 with detent
SPM	 5/2 without detent
CM	 5/3 with detent, closed centre
CSPM	 5/3 without detent, closed centre

Function	
PM	 5/3 with detent, pressured centre
PSPM	 5/3 without detent, pressured centre
RM	 5/3 with detent, exhausted centre
RSPM	 5/3 without detent, exhausted centre

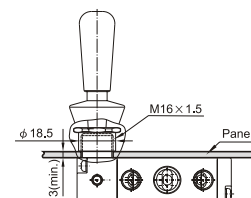
## Dimensions



Series	Function	A	B	C	D	E	F	G	H	I	J	K	L	M	N	O	P	R
220	M, SPM	18	95	67	—	—	57	77	21	—	35	7	4,2	20	G1/4"	36	22,3	—
	CM, PM, RM	18	95	74,5	—	—	59	85	21	—	35	7	4,2	20	G1/4"	36	22,3	—
	CSPM, PSPM, RSPM	18	95	86,5	—	—	71	97	21	—	35	7	4,2	20	G1/4"	36	22,3	—
300	M, SPM	18	107	—	60	3,2	—	114	30	—	47	4,7	4,5	26	G3/8"	52	30	25
	CM, PM, RM	18	107	110	60	3,2	—	123	30	—	47	4,7	4,5	26	G3/8"	52	30	25
	CSPM, PSPM, RSPM	18	107	129	60	3,2	—	142	30	—	47	4,7	4,5	26	G3/8"	52	30	25
500	M, SPM, CM, PM, RM	18	107	111	72	4,5	95	124	27	4,5	50	8,8	4,5	29	G1/2"	58	30	23
	CSPM, PSPM, RSPM	18	107	129	72	4,5	114	142	27	4,5	50	8,8	4,5	29	G1/2"	58	30	23



Valves series MVHB 220 can be mounted into the panel or by holes in the valve body. Valves series MVHB 500 can be mounted only by holes in the valve body.





Valves are available with functions 4/2 and 4/3 with centre closed and exhausted position, with detent positions.

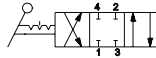
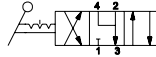
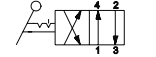
This valve series contains rubber gaskets.

Series	MVHC 200	MVHC 300	MVHC 400
Ports	G1/4"	G3/8"	G1/2"
Flow capacity [Nl/min]	410	1100	3000
Working pressure [MPa]	0 to 0,99	0 to 0,99	0 to 0,99
Weight [kg]	0,280	0,420	1,100
Temperature range [°C]	ambient temperature -5 to +60		

## Order codes - valves

PMVHC 3 0 2 4H

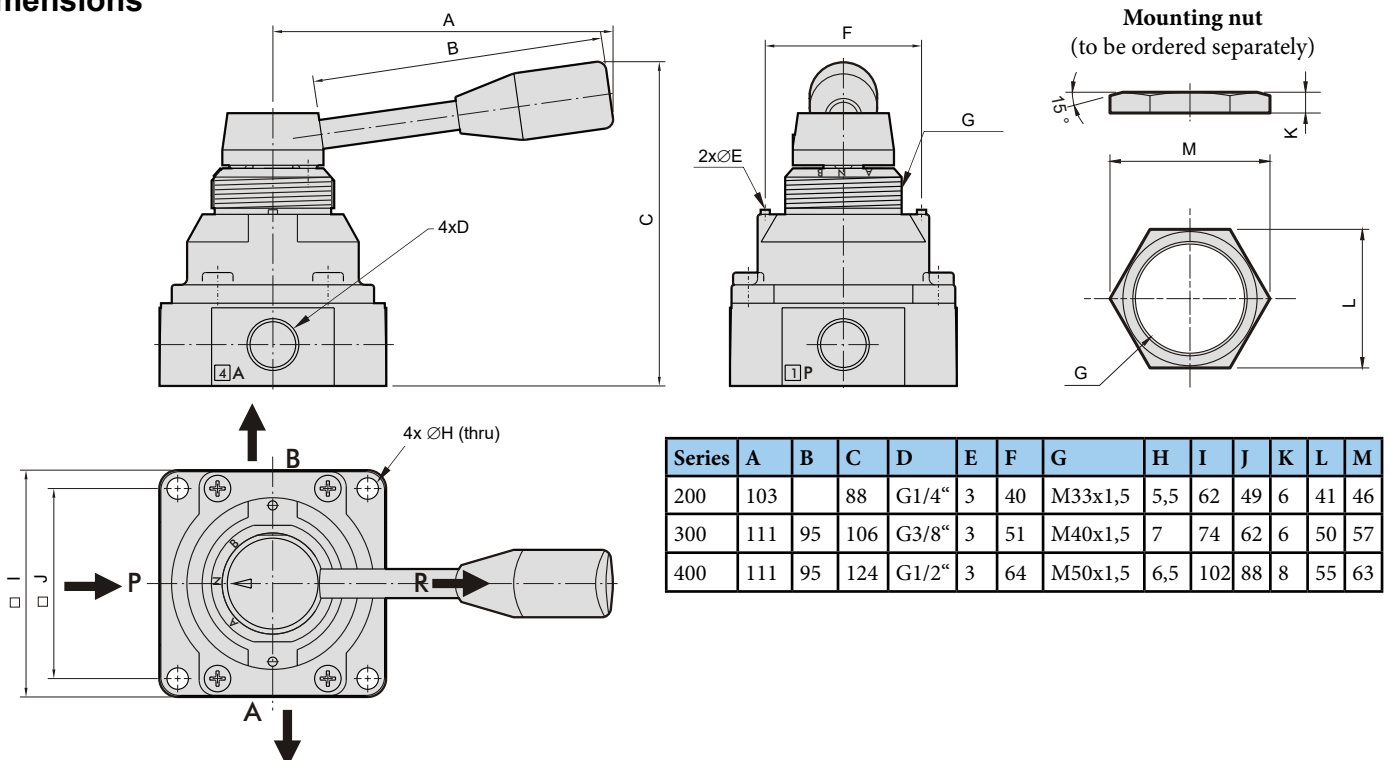
Size	
2	series MVHC 200, thread G1/4"
3	series MVHC 300, thread G3/8"
4	series MVHC 400, thread G1/2"

Function	
0	 4/3 with closed centre
1	 4/3 with exhausted centre
2	 4/2

## - mounting nut

Series	Order codes
200	PMVHC2M
300	PMVHC3M
400	PMVHC4M

## Dimensions



# LEVER VALVES SERIES DRAW BAR VALVES SERIES







Lever valves are actuated by 120° lever turning. Both positions are detent. Draw bar valves are actuated by pressing the draw bar. Return to starting position is by pulling of draw bar. If the draw bar is during pulling out rotated to right, the force which is need for overcome the detent will be lower. Draw bar valves can be produced from stainless steel on request.

This valve series contains rubber gaskets.

Ports	G1/4"
Flow capacity [Nl/min]	800
Working pressure [MPa]	0,2 to 1,0
The way of actuation	direct
Temperature range [°C]	-20 to +80
Working medium	modified compressed air
Weight [kg]	0,26 for 3/2 function, 0,32 for 5/2 function

## Order codes

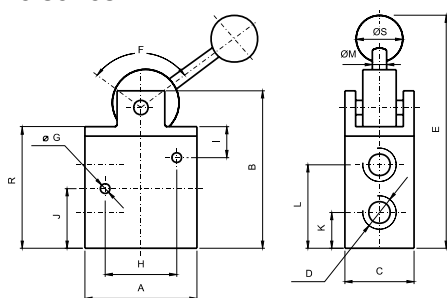
Ports	G1/4"
Lever valve 3/2 	2532 0505 0600 0001
Lever valve 5/2 	2552 0505 0600 0001

Ports	G1/4"	G1/4" stainless steel
Draw bar valve 3/2 	2532 0303 0600 0001	2532 0303 0600 0002
Draw bar valve 5/2 	2552 0303 0600 0001	2552 0303 0600 0002

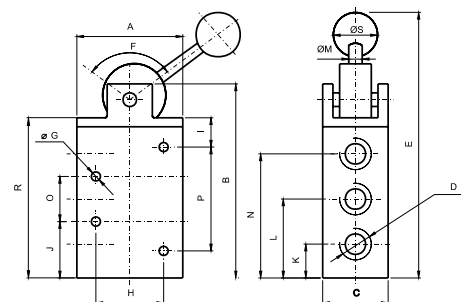
## Dimensions

### Lever valve series

#### Type 3/2



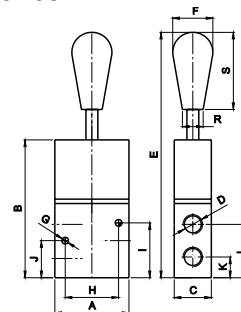
#### Type 5/2



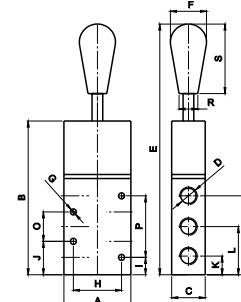
Type	A	B	C	D	E	F	G	H	I	J	K	L	M	N	O	P	R	S
3/2	50	85	25	G1/4"	127	120	4,5	36	23	25	14	36	5	-	-	-	60	16
5/2	50	107	25	G1/4"	149	120	4,5	36	23	25	14	36	5	58	22	46	82	16

### Draw bar valve series

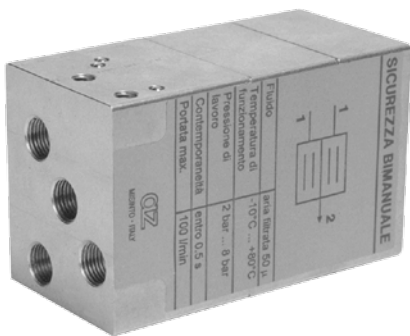
#### Type 3/2



#### Type 5/2



Type	A	B	C	D	E	F	G	H	I	J	K	L	N	O	P	R	S
3/2	50	93	25	G1/4"	166	27	4,5	36	37	25	14	36	-	-	-	14	52
5/2	50	115	25	G1/4"	188	27	4,5	36	13	25	14	36	59	22	46	14	52



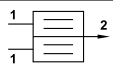
This valve is used to pilot high-flow directional control valves connected to machines which have a high risk of injuries to the hands. The machine operator must simultaneously operate, in a safe area, two three-way manual valves for correct operation. The safety valve will ignore a single depression of one of the manual valves. To repeat the cycle both pilot signals must be exhausted and the manual valves simultaneously actuated again.

The two-hand safety valve is sold with **CE**-certification (compliant to Machinery Directives EEC 89/392, 91/368, 93/44, 96/68 and to Norm EN 574, level 1).

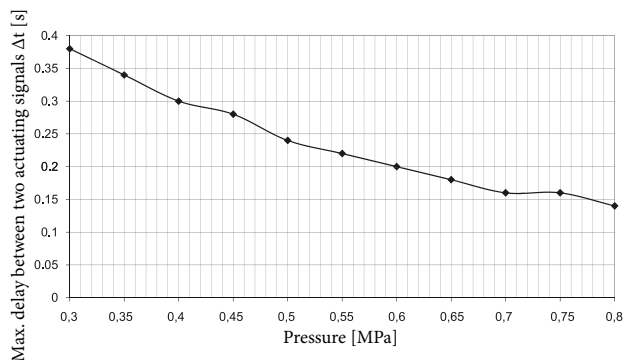
This valve series contains rubber gaskets.

Ports	G1/8"
Flow capacity [Nl/min]	100
Working pressure [MPa]	0,3 to 0,8
Temperature range [°C]	-10 to +60
Max. delay between two actuating signals [s]	0,5
Working medium	modified compressed air
Weight [kg]	0,40

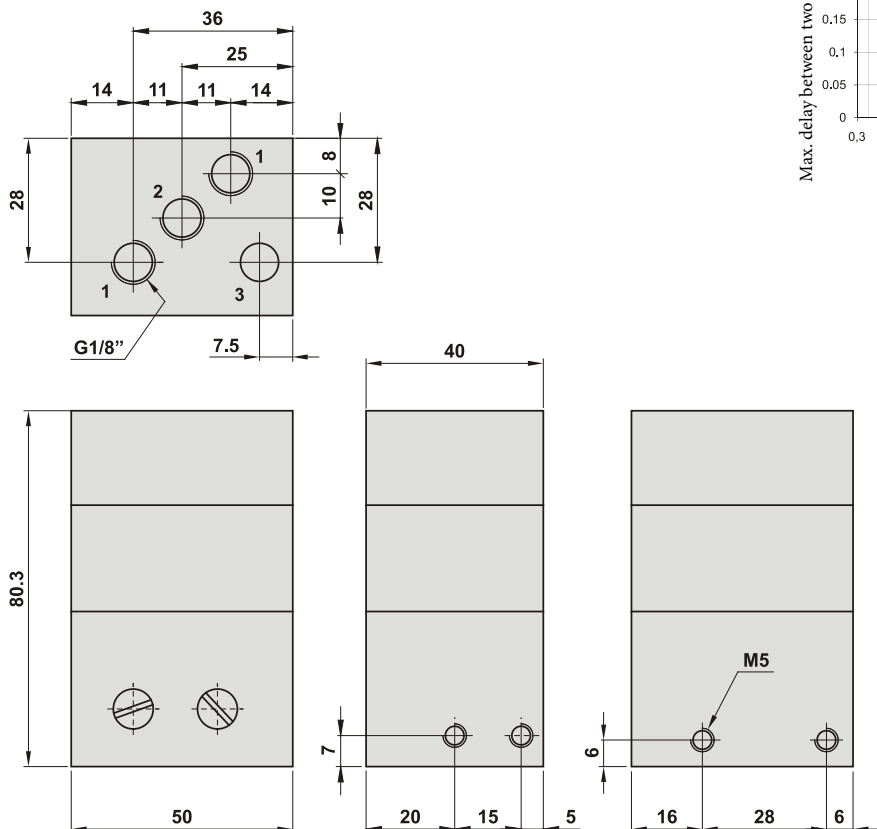
### Order codes

Ports	G1/8"
Two hand safety valve 	2899 0029 9040 0004

### Max. delay between two actuating signals related to the pressure

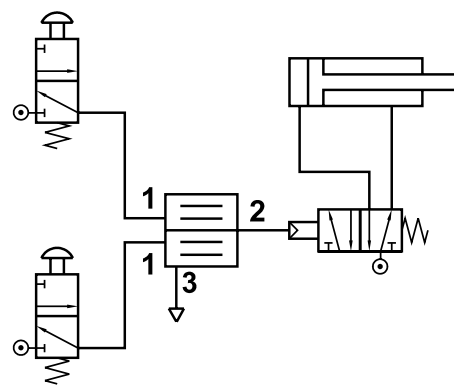


### Dimensions



Note: M5 threaded holes are for fixing the valve

### Connection







This safety valve is used in applications, where controlling by two hands at a time is necessary due to safety reasons (presses and etc.). Valve is actuated only when both levers are pressed together. If one lever will be pressed permanently, valve will not be actuated when the second lever will be pressed.

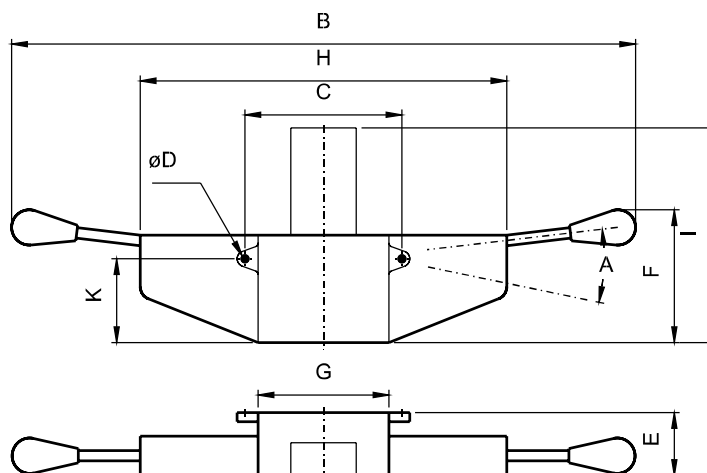
This valve series contains rubber gaskets.

Ports	G1/4"
Flow capacity [Nl/min]	800
Working pressure [MPa]	0,2 to 1,0
The way of actuation	direct
Temperature range [°C]	-20 to +80
Working medium	modified compressed air
Weight [kg]	1,28 for 3/2 function, 1,34 for 5/2 function

## Order codes

Ports	G1/4"
Type 3/2 	2532 5090 0600 0001
Type 5/2 	2552 5090 0600 0001

## Dimensions



Type	A	B	C	D	E	F	G	H	I	K
3/2	22°	530	118	5,4	48	106	100	280	138	35
5/2	22°	530	118	5,4	48	106	100	280	160	35





This valve is actuated by pressing down the stem at the axis direction.  
This valve is not replacement for roller lever valves, which are actuated by rolling the can from the side.

This valve series contains rubber gaskets.

Ports	G1/8"	G1/4"
Flow capacity [Nl/min]	500	800
Working pressure [MPa]	vacuum to 1,0	
Temperature range [°C]	-20 to +60	
Actuating force [N]	36	
Working medium	modified compressed air	
Weight [kg]	0,08 (3/2), 0,12 (5/2)	0,12 (3/2), 0,16 (5/2)

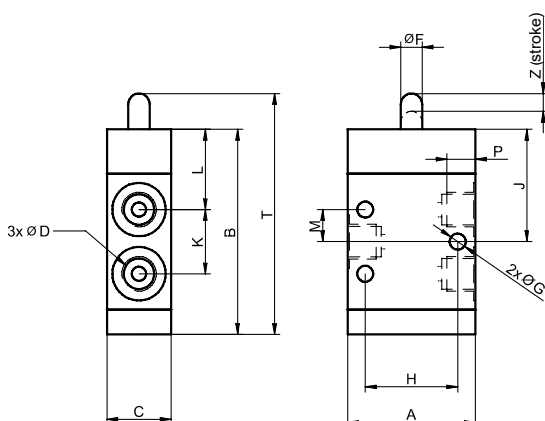
### Order codes

Ports	G1/8"	G1/4"
Valve 3/2* 	2532 3090 0400 0001	2532 3090 0600 0001
Valve 5/2 	2552 3090 0400 0001	2552 3090 0600 0001

\*) 3/2 valves can be used as normally opened as well as normally closed.

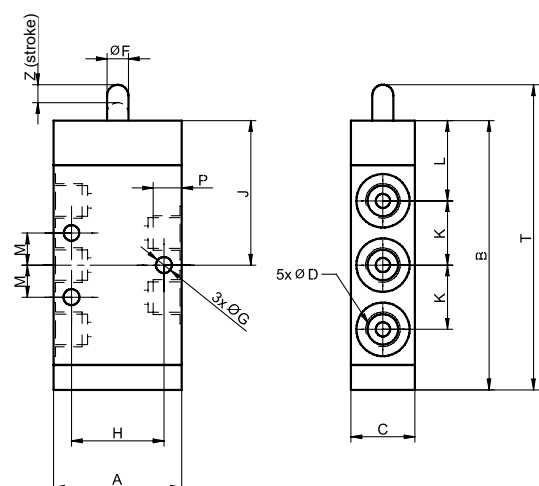
### Dimensions

#### Valve 3/2



D-Ports	A	B	C	F	G	H	J	K	L	M	P	T	Z
G1/8"	36	58	18	6	4,5	26	32	18	23	9	8	68	5
G1/4"	40	65	20	6	4,5	26	35	22	24	11	9	75	5

#### Valve 5/2



D-Ports	A	B	C	F	G	H	J	K	L	M	P	T	Z
G1/8"	36	78	18	6	4,5	26	41	18	23	9	8	86	5
G1/4"	40	87	20	6	4,5	26	46	22	24	11	9	97	5



# MECHANICALLY ACTUATED ROLLER LEVER VALVES






Valves are actuated by rolling the cam from the one or another side of the valve body. There are 3/2 normally closed and open and 5/2 valves available.

This valve series contains rubber gaskets.

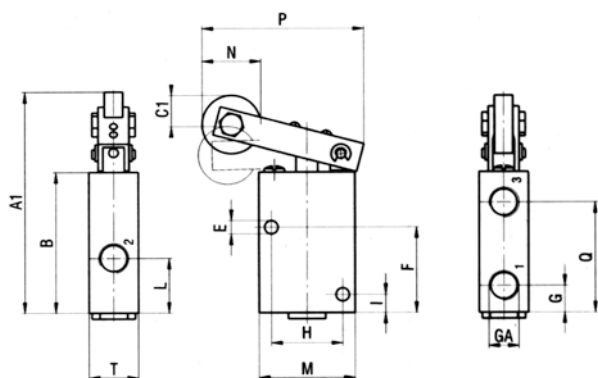
Ports	G1/8"	G1/4"
Flow capacity [Nl/min]	740 (3/2 NO), 815 (3/2 NC), 540 (5/2)	950 (3/2 NO i NC), 970 (5/2)
Working pressure [MPa]	0 to 1,0	
Temperature range [°C]	-5 to +70	
Actuating force [N]	23 (3/2), 15 (5/2)	35 (3/2), 24 (5/2)
Working medium	modified compressed air	
Weight [kg]	0,10 (3/2), 0,13 (5/2)	0,22 (3/2 i 5/2)

## Order codes

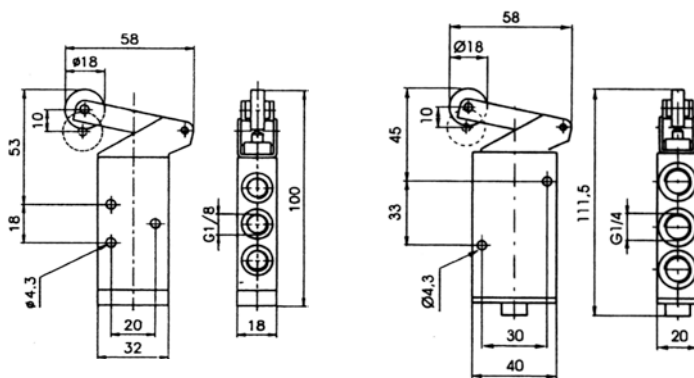
Ports	G1/8"	G1/4"
Valve 3/2 NC (normally closed) 	2532 2090 0400 0001	2532 2090 0600 0001
Valve 3/2 NO (normally open) 	2532 2090 0400 0003	2532 2090 0600 0003
Valve 5/2 	2552 2090 0400 0001	2552 2090 0600 0001

## Dimensions

### Valve 3/2



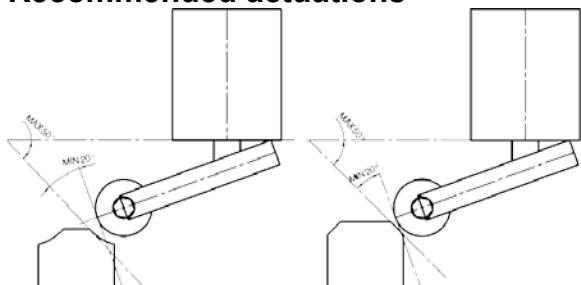
### Valve 5/2



GA-Ports	A1	B	C1 min-max	E	F	G	H	I	L*	M	N	P	Q	T
G1/8"	72	46	5,5-10	4,3	28	8,8	23	6	23(18)	31	19	53	36	16
G1/4"	92	60	7,5-13,5	5,3	35	11,5	30	8	30(25,5)	40	26	69	46	20

\*) Values before brackets are valid for NO version, values in brackets are valid for NC version.

## Recommended actuations



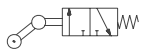
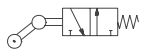
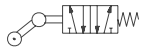


Valves are actuated by rolling the cam from the one or another side of the valve body. The cam must go over the roller and release it. During the cam return, the roller will not activate the valve. Those valves are used in pneumatic controlled circuits and everywhere where only one signal about movement is necessary. There are 3/2 normally closed and open and 5/2 valves available.

This valve series contains rubber gaskets.

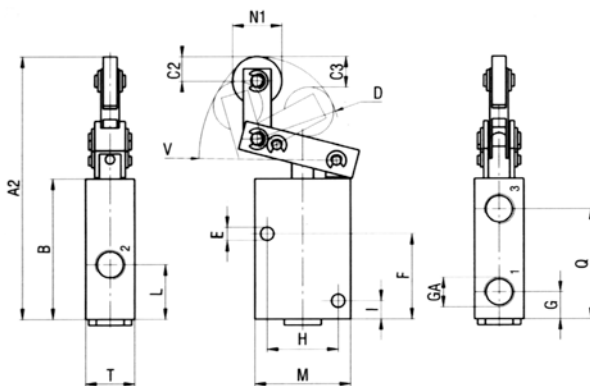
Ports	G1/8"	G1/4"
Flow capacity [Nl/min]	740 (3/2 NO), 815 (3/2 NC), 540 (5/2)	950 (3/2 NO i NC), 970 (5/2)
Working pressure [MPa]	0 to 1,0	
Temperature range [°C]	-5 to +70	
Actuating force [N]	30 (3/2), 15 (5/2)	53 (3/2), 24 (5/2)
Working medium	modified compressed air	
Weight [kg]	0,10 (3/2), 0,13 (5/2)	0,20 (3/2), 0,21 (5/2)

## Order codes

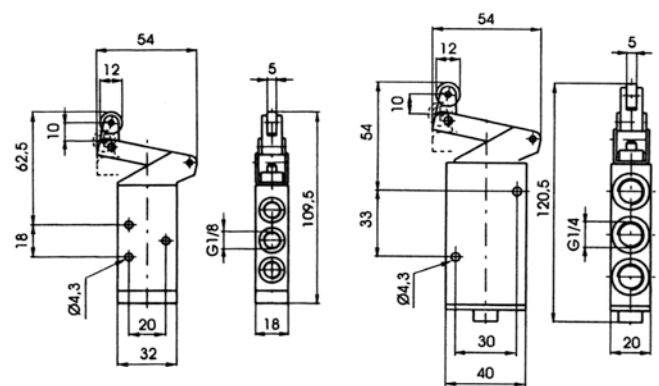
Ports	G1/8"	G1/4"
Valve 3/2 NC (normally closed) 	2532 2190 0400 0001	2532 2190 0600 0001
Valve 3/2 NO (normally open) 	2532 2190 0400 0003	2532 2190 0600 0003
Valve 5/2 	2552 2190 0400 0001	2552 2190 0600 0001

## Dimensions

### Valve 3/2

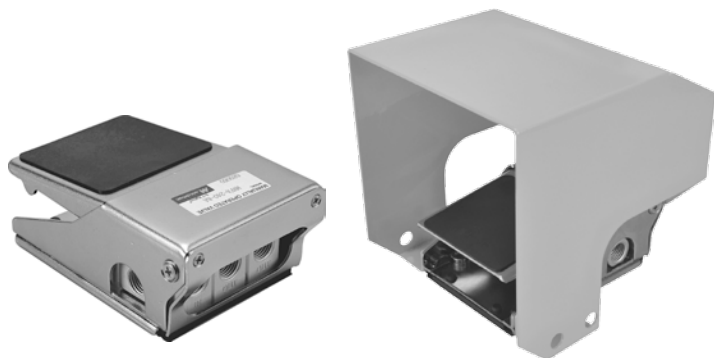


### Valve 5/2



GA-Ports	A2	B	C2 min-max	C3	D	E	F	G	H	I	L*	M	N1	Q	T
G1/8"	88	46	5-8	10	27	4,3	28	8,8	23	6	23(18)	31	19	36	16
G1/4"	111	60	5-8	12	35	5,3	35	11,5	30	8	30(25,5)	40	26	46	20

\*) Values before brackets are valid for NO version, values in brackets are valid for NC version.



Valves without or with protecting cover are available with 3/2 and 4/2 function with or without detent.

This valve series contains rubber gaskets.

<b>Series</b>	<b>MVFA 240</b>
Ports	G1/4"
Flow capacity [Nl/min]	440
Working pressure [MPa]	0,2 to 0,7
Weight without / with protection cover [kg]	function 230: 0,684/1,426; function 231: 0,739/1,481; function 240: 0,774/1,516
Temperature range [°C]	ambient temperature -5 to +60

## Order codes

PMVFA 240 P L

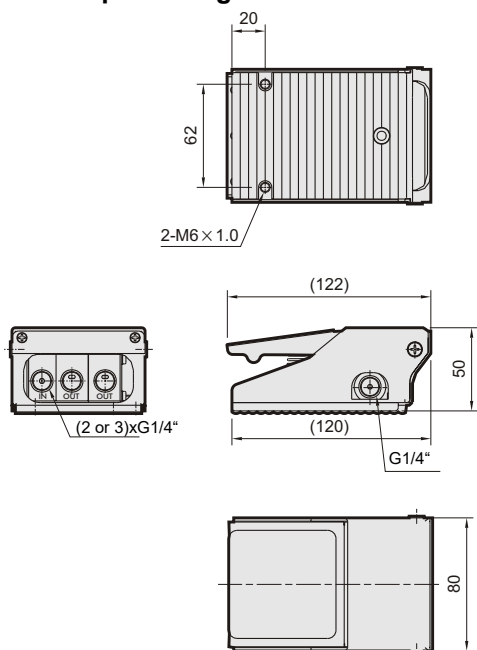
Function	
230	3/2 normally closed
231	3/2 normally opened
240	4/2

Protective cover	
	without protective cover
P	with protective cover

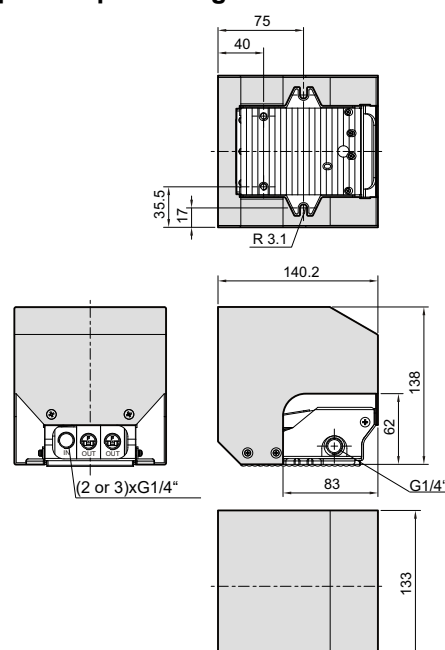
Detent	
	without detent
L	with detent

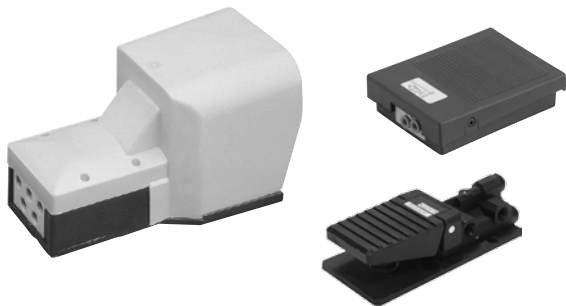
## Dimensions

### Type without protecting cover



### Type with protecting cover









Valves are available with or without protecting cap. Protecting cap protect foot pedal to unwanted activating. Valves with protecting cap are available with or without detent in activated position. Valves without protecting cap are available only without detent.

This valve series contains rubber gaskets.

Type	3/2 without protecting cover	5/2 without protecting cover	5/2 with protecting cover
Ports	tube 4/2	tube 6/4; G1/8" for exhausts (3,5)	G1/4"
Flow capacity [NI/min]	100	540	600
Working pressure [MPa]	0,2 to 1,0		
Temperature range [°C]	-20 to +60		
Working medium	modified compressed air		
Weight [kg]	0,18	0,18	1,10

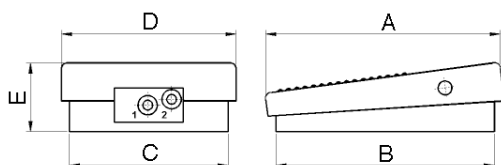
### Order codes

Type	Order codes
Type 3/2 without protection cover, for tube 4/2 	NZFD FA30 00L0 0000
Type 5/2 without protection cover, for tube 6/4, exhaust ports G1/8" 	2552 4090 3200 0001

Type	Order codes
Type 5/2 with protection cover, thread G1/4" 	NZF2 FA40 00G0 0000
Type 5/2 with protection cover with detent, thread G1/4" 	NZF2 FD40 00G0 0000

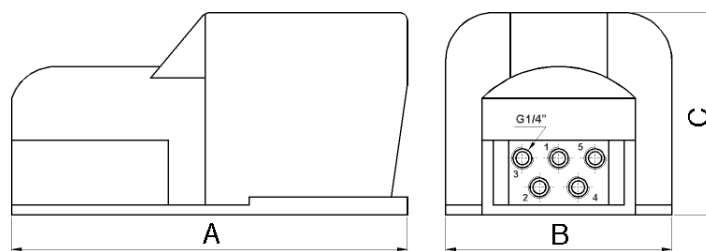
### Dimensions

#### Type 3/2 without protecting cover



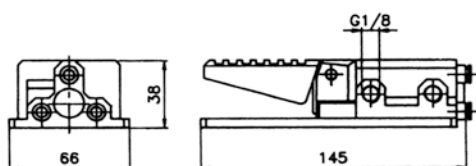
A	B	C	D	E
104	95	76	69	31

#### Type 5/2 with protecting cover



A	B	C
245	140	145

#### Type 5/2 without protecting cover



# PNEUMATICALLY ACTUATED VALVES SERIES MVAA



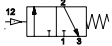
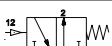
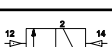
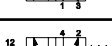
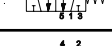
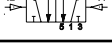
All functions like 3/2 normally close and open, 5/2 monostable and bistable and 5/3 with centre closed position are available.

This valve series contains rubber gaskets.



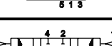
Series	MVAA 220	MVAA 460
Ports	G1/4" (G1/8" for exhaust ports 3, 5 and for pilot)	G1/2" (G1/8" for pilot)
Flow capacity [Nl/min]	1000	2780
Working pressure [MPa]	0 to 0,8	
Pilot pressure [MPa]	0,2 to 0,7	
Weight [kg]	function 3A1: 0,122; 3A2: 0,134; 4A1: 0,106; 4A2: 0,134; 4A2C:0,179	function 4A1: 0,275; 4A2: 0.338; 4A2C: 0,500
Temperature range [°C]	ambient temperature -5 to +50	

## Order codes

### PMVAA 220 4A1

Size		Function	
220	series MVAA 220, thread G1/4"	3A1C	 3/2 normally closed
		3A1O	 3/2 normally open
		3A2	 3/2 bistable
		4A1	 5/2 monostable
		4A2	 5/2 bistable
		4A2C	 5/3 centre closed position

### PMVAA 460 4A2

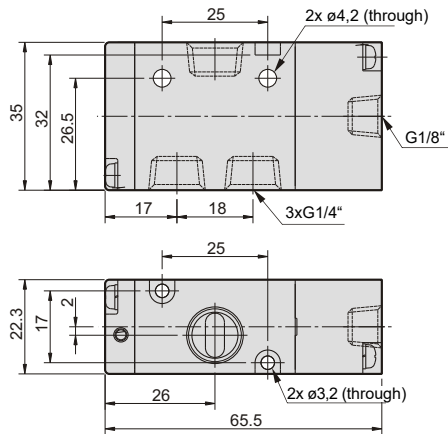
Size		Function	
460	series MVAA 460, thread G1/2"	4A1	 5/2 monostable
		4A2	 5/2 bistable
		4A2C	 5/3 centre closed position



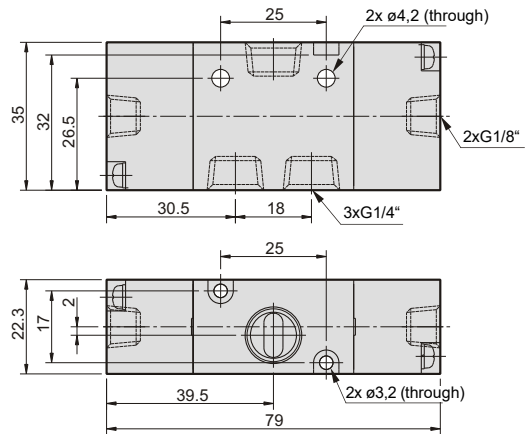
The valves of MVAA series can be mounted on manifold. Then it is possible to use one air supply (which can be through) and common exhausts. Manifold assembly can save space and reduce installation and maintenance costs. The manifolds are the same as for valves of MVSC series. Order codes and dimensions can be found on pages 5-4 and 5-36.

**Dimensions**

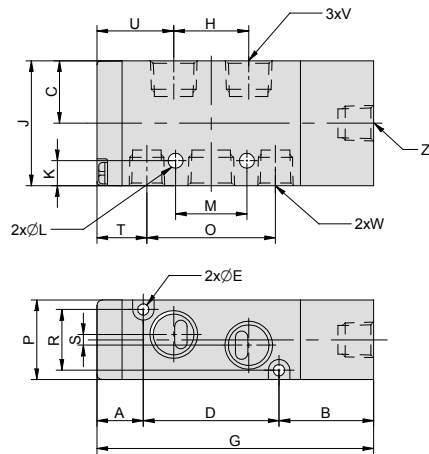
Type MVAA2203A1C and MVAA2203A1O:



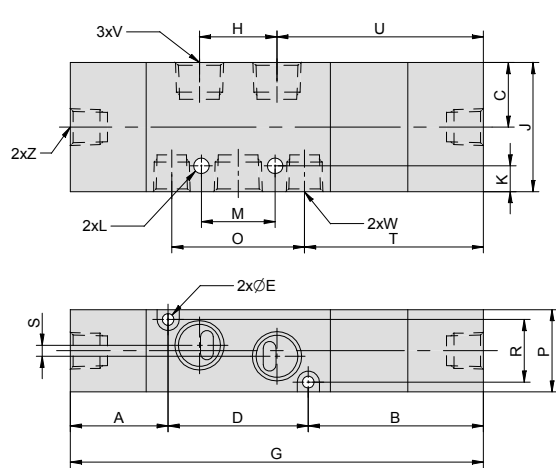
Type MVAA2203A2:



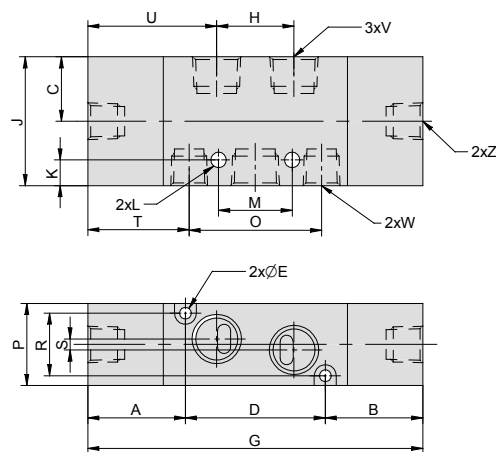
Type MVAA2204A1 and MVAA4604A1:



Type MVAA2204A2C and MVAA4604A2C:



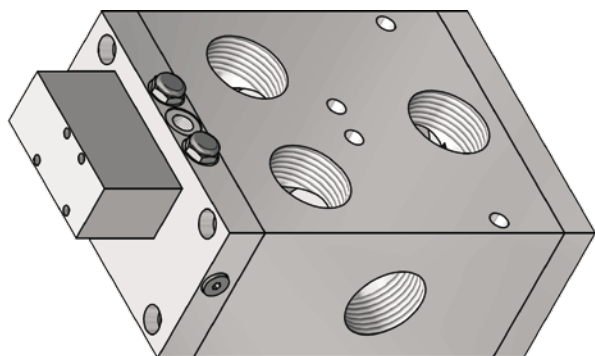
Type MVAA2204A2 and MVAA4604A2:



Series	Function	A	B	C	D	E	G	H	J	K	L	M
220	4A1	13	26,5	17,5	38	3,2	77,5	21	35	7	4,2	20
	4A2	26,5	26,5	17,5	38	3,2	91	21	35	7	4,2	20
	4A2C	26,5	47,5	17,5	38	3,2	112	21	35	7	4,2	20
460	4A1	15	31	29,4	72	4,2	118	28	46,4	7	4,5	29
	4A2	31	31	29,4	72	4,2	134	28	46,4	7	4,5	29
	4A2C	50,7	31	29,4	72	4,2	153,5	28	46,4	7	4,5	29

Series	Function	O	P	R	S	T	U	V	W	Z
220	4A1	36	22,3	17	3	14	21,5	G1/4"	G1/8"	G1/8"
	4A2	36	22,3	17	3	27,5	35	G1/4"	G1/8"	G1/8"
	4A2C	36	22,3	17	3	28,5	56	G1/4"	G1/8"	G1/8"
460	4A1	58	30	23	4,5	22	37	G1/2"	G1/2"	G1/8"
	4A2	58	30	23	4,5	38	53	G1/2"	G1/2"	G1/8"
	4A2C	58	30	23	4,5	57,5	72,5	G1/2"	G1/2"	G1/8"

# HIGH FLOW PNEUMATICALLY ACTUATED VALVES



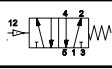
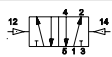
High flow valve series with flow capacity up to 28 000 NI/min is suitable for fast air supply of big appliances, or higher quantity of appliances which are supplied from common distribution. Valves are pilot operated, using smaller, standard pneumatic actuated valves ISO 5599/1. These pilot valves are designed for external supply of compressed air, however the common supply is possible, but in this case, please contact our technical dept.

This valve series contains rubber gaskets.

Series	G1"	G1 ½"
Ports	G1"	G1 ½"
Connection of external pressure supply port	G1/4"	
Connection of pilot (12,14) for pneumatic actuating	G1/8"	
Flow capacity [NI/min]	16 000	28 000
Working pressure [MPa]	0 to 1,0 MPa when external pilot supply is used	
Pilot pressure range [MPa]	0,2 to 0,7	
Temperature range [°C]	medium temperature max. 50, ambient temperature -20 to +50	

## Order codes

25 52 70 90 20 00 000 1

Function		
52 70 90		5/2 monostable
52 70 70		5/2 bistable

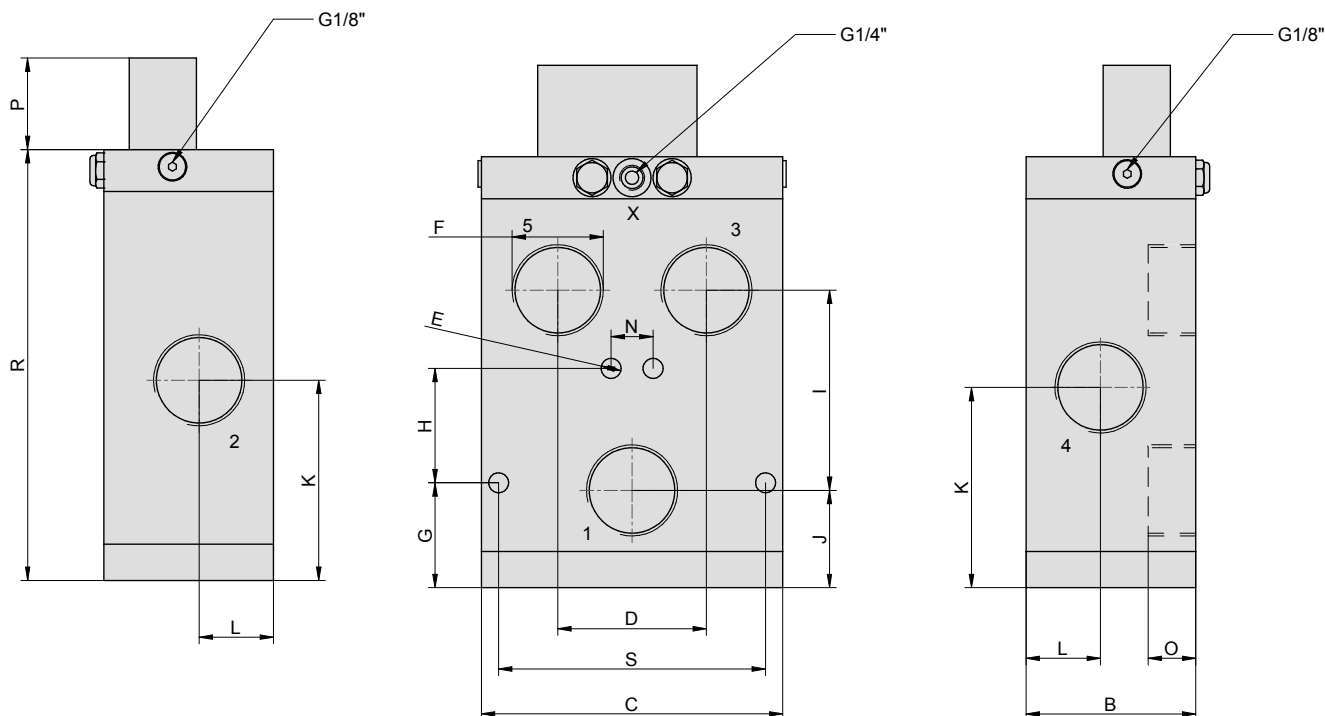
Size	
14	G1"
20	G1 ½"

Voltage	
00	w/o coils (pneumatic actuating)

Pilot supply	
2	external (from port X), standard
1*	internal (from port 1)

\*) Please consult with our technical dept.

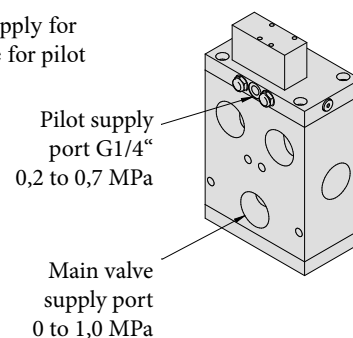


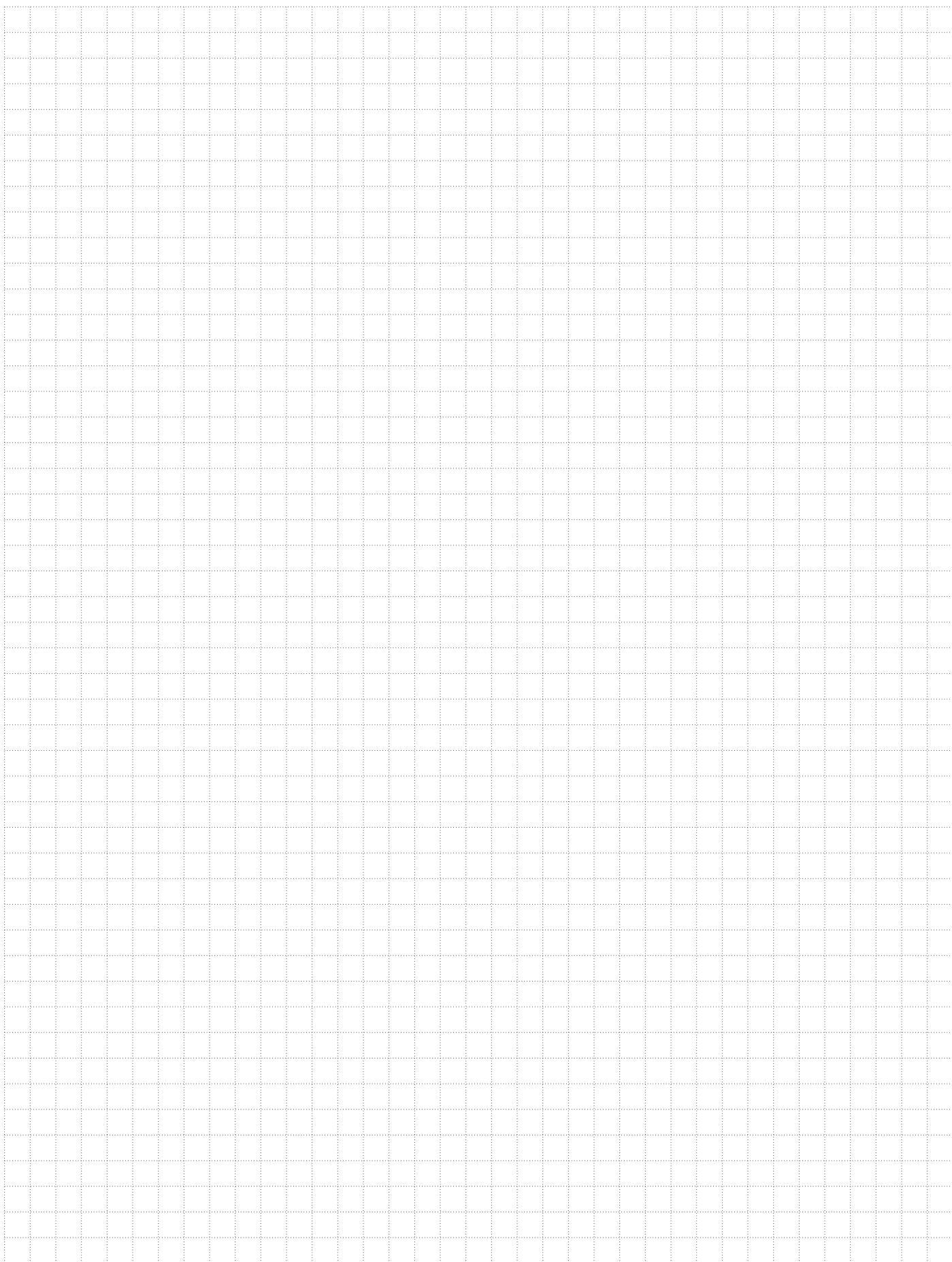
**Dimensions**


Series	B	C	D	E	F	G	H	I	J	K	L	N	O	P	R	S	Weight [kg]
52 70 x0 14	89	158	78	10,5	G1"	55	60	105	51	105	39	22	25	48	226	140	7,5
52 70 x0 20	89	158	78	10,5	G1 1/2"	55	60	105	51	105	39	22	25	48	226	140	7,5

**Notes for connecting of valve**

Valves are designed for independent, external air pilot supply (port X). It is not recommended, to merge air supply for main valve and for pilot valve, because a big flow through main valve may cause serious dropping of pressure for pilot valve and malfunction may occur.





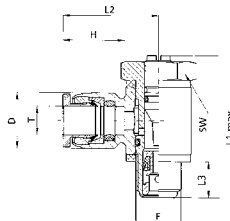
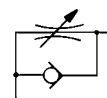


Flow control valves .....	7-2
<i>M5, G1/8", G1/4", G3/8", G1/2", G3/4", G1" for tube diameter 4, 6, 8, 10 and 12</i>	
Non-return valves .....	7-5
<i>M5, G1/8", G1/4", G3/8", G1/2", G3/4", G1"</i>	
Unidirectional pressure regulators with push-in fitting .....	7-6
<i>G1/8", G1/4", G3/8"</i>	
Quick exhaust valves .....	7-6
<i>M5, G1/8", G1/4", G3/8", G1/2", G3/4", G1"</i>	
Logical gates AND and OR .....	7-7
<i>G1/8"</i>	
Manually operated slide valves .....	7-7
<i>G1/8", G1/4", G3/8", G1/2"</i>	
Ball valves .....	7-8
<i>G1/4", G3/8", G1/2", G3/4", G1", G1 1/4", G1 1/2", G2" for tube diameter 4, 6, 8, 10 and 12</i>	
Sensor fitting .....	7-9
<i>G1/4", G3/8", G1/2", for tube diameter 4</i>	
Pressure indicator .....	7-9
<i>G1/4"</i>	



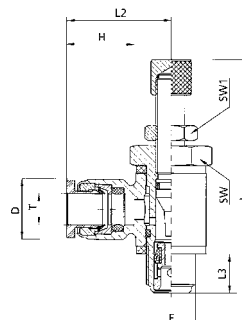
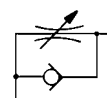
## Unidirectional flow control valve - push-in, for cylinder use, for screw driver setting

Order codes	T - For tube	F - Thread	D	H	L1 max.	L2	L3	SW
N135C-004-005	4 / 2	M5	10	12,5	24,5	19	5,5	8
N135C-004-000	4 / 2	G1/8 <sup>c</sup>	10	12,5	30	20,2	7	14
N135C-006-005	6 / 4	M5	12	13	24,5	20,6	5,5	8
N135C-006-000	6 / 4	G1/8 <sup>c</sup>	12	13,5	30	20,6	7	14
N135C-006-001	6 / 4	G1/4 <sup>c</sup>	12	13,5	36,5	22,6	9	17
N135C-008-000	8 / 6	G1/8 <sup>c</sup>	15	16	30	23,8	7	14
N135C-008-001	8 / 6	G1/4 <sup>c</sup>	15	16	35,6	25,8	9	17
N135C-008-002	8 / 6	G3/8 <sup>c</sup>	15	16	41	30	9	19
N135C-010-001	10 / 8	G1/4 <sup>c</sup>	18	17	36,5	27,1	9	17
N135C-010-002	10 / 8	G3/8 <sup>c</sup>	18	17	41	31	9	19
N135C-012-001	12 / 10	G1/4 <sup>c</sup>	20	19	36,5	31,5	9	17



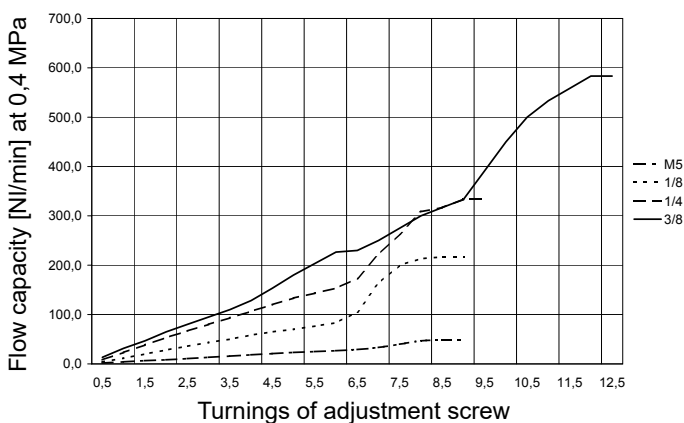
## Unidirectional flow control valve - push-in, for cylinder use, with control knob setting

Order codes	T - For tube	F - Thread	D	H	L max.	L2	L3	SW	SW1
N136C-004-005	4 / 2	M5	10	12,5	35	19	5,5	8	6
N136C-004-000	4 / 2	G1/8 <sup>c</sup>	10	12,5	45	20,2	7	14	9
N136C-006-005	6 / 4	M5	12	13	35	20,6	5,5	8	6
N136C-006-000	6 / 4	G1/8 <sup>c</sup>	12	13,5	45	20,6	7	14	9
N136C-006-001	6 / 4	G1/4 <sup>c</sup>	12	13,5	52	22,6	9	17	9
N136C-008-000	8 / 6	G1/8 <sup>c</sup>	15	16	45	23,8	7	14	9
N136C-008-001	8 / 6	G1/4 <sup>c</sup>	15	16	52	25,8	9	17	9
N136C-008-002	8 / 6	G3/8 <sup>c</sup>	15	16	58	30	9	19	11
N136C-010-001	10 / 8	G1/4 <sup>c</sup>	18	17	52	27,1	9	17	9
N136C-010-002	10 / 8	G3/8 <sup>c</sup>	18	17	58	31	9	19	11
N136C-012-001	12 / 10	G1/4 <sup>c</sup>	20	19	52	31,5	9	17	9



Working pressure	0,2 to 1,0 MPa
Temperature range	-20°C to +80°C
Working medium	modified compressed air

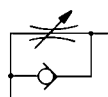
### Flow capacity



## Unidirectional flow control valve - plastic, push-in, for cylinder use, with control knob setting

Ø mm	Thread	Order codes
4	M5	P136C-004-005
4	G1/8"	P136C-004-000
4	G1/4"	P136C-004-001
6	M5	P136C-006-005
6	G1/8"	P136C-006-000
6	G1/4"	P136C-006-001
6	G3/8"	P136C-006-002
8	G1/8"	P136C-008-000
8	G1/4"	P136C-008-001
8	G3/8"	P136C-008-002
8	G1/2"	P136C-008-003
10	G1/4"	P136C-010-001
10	G3/8"	P136C-010-002

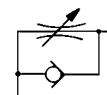
Ø mm	Thread	Order codes
10	G1/2"	P136C-010-003
12	G1/4"	P136C-012-001
12	G3/8"	P136C-012-002
12	G1/2"	P136C-012-003



## Unidirectional flow control valve - internal/external threads, for cylinder use, for screw driver setting

Order codes	Thread	Flow
N0FCRG	M5	45
N1FCRG	G1/8"	310
N2FCRG	G1/4"	450
N3FCRG	G3/8"	1040
N4FCRG	G1/2"	2200

\*) Max. flow [Nl] at prim. press. 0,6 MPa



## Bidirectional flow control valve - internal/external threads, for screw driver setting

Order codes	Thread	Flow
N0FCG	M5	45
N1FCG	G1/8"	310
N2FCG	G1/4"	450
N3FCG	G3/8"	1040
N4FCG	G1/2"	2200

\*) Max. flow [Nl] at prim. press. 0,6 MPa



## Unidirectional flow control valve - dural, with internal threads, with control knob setting

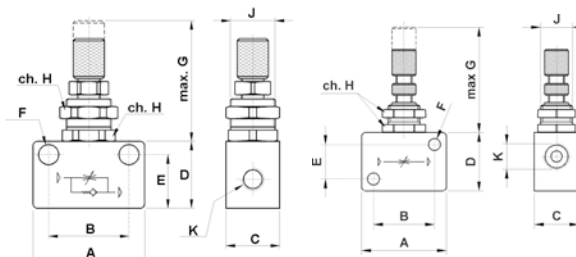
Thread	Order codes	Max. flow* 1→2	Max. flow* 2→1
M5	NDRV05B	60	130
G1/8"	NDRV10	60	450
G1/4"	NDRV25	300	600
G3/8"	NDRV37	600	1100
G1/2"	NDRV50	600	1400

\*) Max. flow at primary pressure 0,6 MPa and pressure difference 0,1 MPa



NDRV05B, NDV05

NDRV10, NDV10 and bigger



## Bidirectional flow control valve - dural, with internal threads, with control knob setting

Thread	Order codes	Max. flow*
M5	NDV05	60
G1/8"	NDV10	60
G1/4"	NDV25	300
G3/8"	NDV37	600
G1/2"	NDV50	600

\*) Max. flow at primary pressure 0,6 MPa and pressure difference 0,1 MPa



A	B	C	D	E	F	G	H	J	K
25	18	12	15	12	4,5	27	11	M10x0,75	M5
32	23	16,8	22	13	4,5	35	15	M12x0,75	G1/8"
40	30	22	32	22	4,5	35	15	M12x0,75	G1/4"
56	43	27	42	27	6,5	43	24	M18x1	G3/8"
56	43	27	42	27	6,5	43	24	M18x1	G1/2"

## Unidirectional flow control valve - plastic, push-in, with control knob setting

For tube Ø mm	Order codes
4	P139C-004-000
6	P139C-006-000
8	P139C-008-000
10	P139C-010-000
12	P139C-012-000

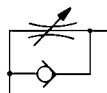
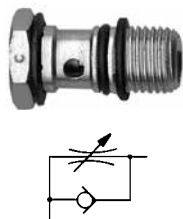


Working pressure	0,2 to 1,0 MPa
Temperature range	-20°C to +60°C
Working medium	modified compressed air

Push-in flow control valves - components

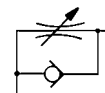
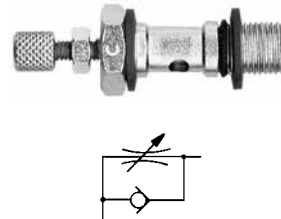
**Screw for flow regulation, unidirectional, for cylinder use, for screw driver setting**

Thread	Order codes
M5	NCVC-005
G1/8"	NCVC-000
G1/4"	NCVC-001
G3/8"	NCVC-002



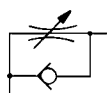
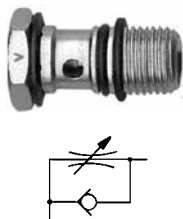
**Screw for flow regulation, unidirectional, for cylinder use, with control knob setting**

Thread	Order codes
M5	NCMC-005
G1/8"	NCMC-000
G1/4"	NCMC-001
G3/8"	NCMC-002



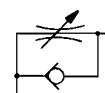
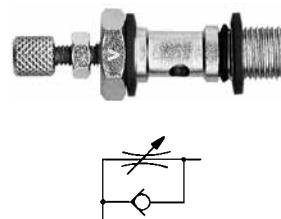
**Screw for flow regulation, unidirectional, for valve use, for screw driver setting**

Thread	Order codes
M5	NCVV-005
G1/8"	NCVV-000
G1/4"	NCVV-001
G3/8"	NCVV-002



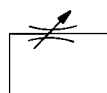
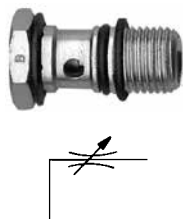
**Screw for flow regulation, unidirectional, for valve use, with control knob setting**

Thread	Order codes
M5	NCMV-005
G1/8"	NCMV-000
G1/4"	NCMV-001
G3/8"	NCMV-002



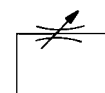
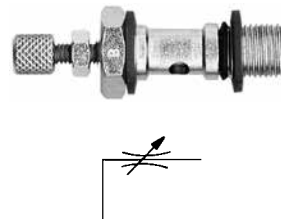
**Screw for flow regulation, bidirectional, for screw driver setting**

Thread	Order codes
M5	NCVB-005
G1/8"	NCVB-000
G1/4"	NCVB-001
G3/8"	NCVB-002



**Screw for flow regulation, bidirectional, with control knob setting**

Thread	Order codes
M5	NCMB-005
G1/8"	NCMB-000
G1/4"	NCMB-001
G3/8"	NCMB-002



**1 port banjo for screw for flow regulation**

Ø mm	Thread	Order codes
4	M5	N122/1-004-005
4	G1/8"	N122-004-000
6	M5	N122/1-006-005
6	G1/8"	N122-006-000
6	G1/4"	N122-006-001
8	G1/8"	N122-008-000
8	G1/4"	N122-008-001
8	G3/8"	N122-008-002
10	G1/4"	N122-010-001
10	G3/8"	N122-010-002
12	G1/4"	N122-012-001



**Assembly of flow control valve:**



**Non-return valve, controlled, elbow, push-in or internal threaded**

Order codes	D - For tube	G1 - Thread	B	G2 - Pilot port thread	H	L1	L2	OK
NCPPG-004-000	4 / 2	G1/8"	14	M5	6	15.5	42	13
NCPPG-006-000	6 / 4	G1/8"	14	M5	6	15.5	42	13
NCPPG-006-001	6 / 4	G1/4"	18	M5	8	18.5	47	17
NCPPG-008-000	8 / 6	G1/8"	14	M5	6	15.5	42	13
NCPPG-008-001	8 / 6	G1/4"	18	M5	8	18.5	47	17
NCPPG-008-002	8 / 6	G3/8"	21	G1/8"	9	21	53.5	20
NCPPG-010-001	10 / 8	G1/4"	18	M5	8	18.5	47	17
NCPPG-010-002	10 / 8	G3/8"	21	G1/8"	9	21	53.5	20
NCPPG-012-001	12 / 10	G1/4"	18	M5	8	18.5	47	17
NCPPG-012-002	12 / 10	G3/8"	21	G1/8"	9	21	53.5	20

Order codes	G1 - Thread	B	G2 - Pilot port thread	H	L1	L2	OK
NCPGG-000-000	G1/8"	15	M5	6	15.5	42	13
NCPGG-001-001	G1/4"	18	M5	8	18.5	47	17
NCPGG-002-002	G3/8"	22	G1/8"	9	21	53.5	20
NCPGG-003-003	G1/2"	27	G1/8"	10	24.5	60	25

Working pressure	0,2 to 1,0 MPa
Temperature range	-5°C to +70°C
Working medium	modified compressed air

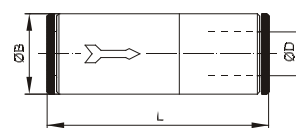
**Flow capacity and min. opening pressure**

Thread	Flow* [NI]	Min. opening pressure at primary pressure [MPa]				
		0,2	0,4	0,6	0,8	1,0
G1/8"	400	0,15	0,2	0,3	0,35	0,4
G1/4"	850	0,15	0,2	0,3	0,35	0,4
G3/8"	1250	0,15	0,2	0,3	0,35	0,4
G1/2"	1800	0,15	0,2	0,3	0,35	0,4

\*) Max. flow [NI] at primary pressure 0,6 MPa

**Non-return valve, uncontrolled**

Order codes	D - For tube	B	L
2750 0003 3100 0000	4 / 2	9	44,5
2750 0003 3200 0000	6 / 4	11	50
2750 0003 3300 0000	8 / 6	13	53,5

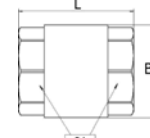
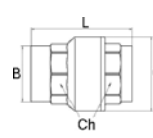
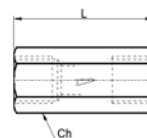


Order codes	Internal thread	L	B	C	Ch	Flow capacity [NI/min]
NRV05	M5	25	—	—	8	100
NRV10	G1/8"	34	—	—	13	500
NRV25	G1/4"	39	—	—	16	900
NRV37	G3/8"	47	20	27	20	4290
NRV50	G1/2"	44,5	28	—	25	4290
NRV75	G3/4"	47,5	34,5	—	31	5720
NRV100	G1"	56	42	—	38	10340

NRV05 to NRV25

NRV37

NRV50 to NRV100



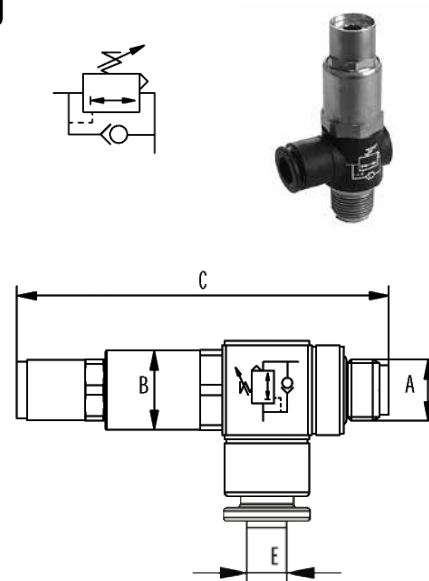
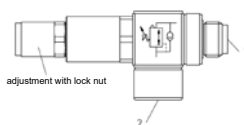
Working pressure	0,2 to 1,0 MPa (NRV05 to NRV25), 0 to 4,0 MPa (NRV37 to NRV75), 0 to 2,5 MPa (NRV100)
Temperature range	-10°C to +60°C (NRV05 to NRV25), -20°C to +100°C (NRV37 to NRV100)
Working medium	modified compressed air



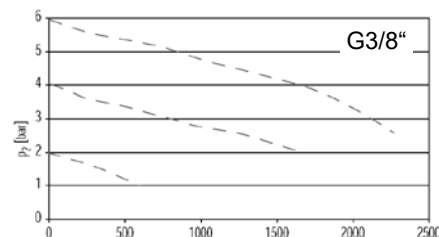
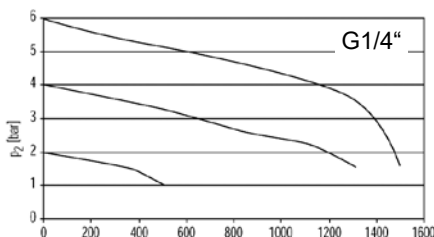
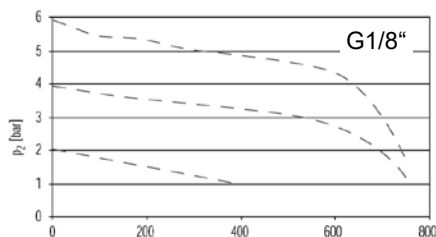
## Unidirectional pressure regulators with push-in fitting

Order codes	E - For tube	A - Thread	B (OK)	C max.
NPRPG-004-000	4 / 2	G1/8"	17	73
NPRPG-006-000	6 / 4	G1/8"	17	73
NPRPG-006-001	6 / 4	G1/4"	17	81
NPRPG-008-000	8 / 6	G1/8"	17	73
NPRPG-008-001	8 / 6	G1/4"	17	81
NPRPG-008-002	8 / 6	G3/8"	22	88
NPRPG-010-001	10 / 8	G1/4"	17	81

Primary pressure	0,1 to 1,6 MPa
Secondary pressure	0,1 to 0,8 MPa
Temperature range	-10°C to +70°C
Working medium	modified compressed air



## Flow capacity 1→2 at $p_1=0,7$ MPa



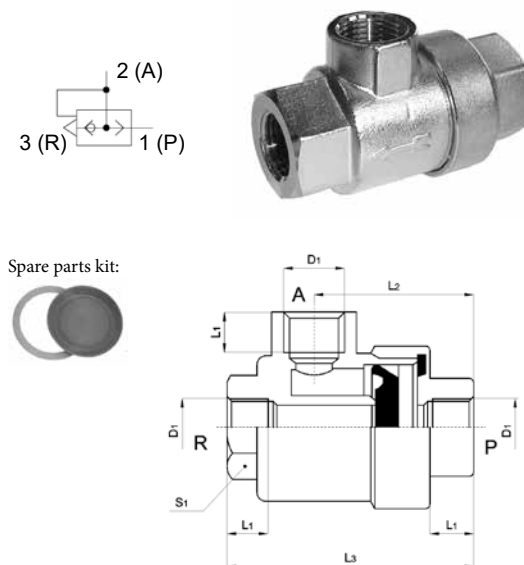
## Quick exhaust valve

Order codes	D1 - Thread	L1	L2	L3	S1	Spare parts kit order code
NSEV05C	M5	5	16	25	10	NSEV05C-RK
NSEV10C	G1/8"	7,5	27	42	15	NSEV10C-RK
NSEV25C	G1/4"	11	35	54	19	NSEV25C-RK
NSEV37C	G3/8"	11	35	54	19	NSEV37C-RK
NSEV50C	G1/2"	14	45	72	26	NSEV50C-RK
NSEV75C	G3/4"	16,3	53	87	32	NSEV75C-RK
NSEV100C	G1"	18	70	108	46	NSEV100C-RK

Working pressure	0,1 to 1,0 MPa
Temperature range	-20°C to +70°C
Working medium	modified compressed air

## Flow capacity at 0,6 MPa

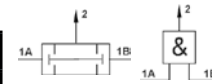
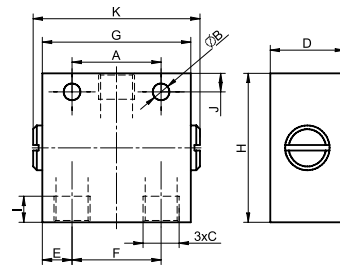
Thread	M5	G1/8"	G1/4"	G3/8"	G1/2"	G3/4"	G1"
Flow P→A [Nl/min]	290	900	1300	1600	4200	5800	7700
Flow A→R [Nl/min]	340	1200	2500	2600	7400	12600	19000



**Logical gate AND (production)**

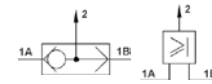
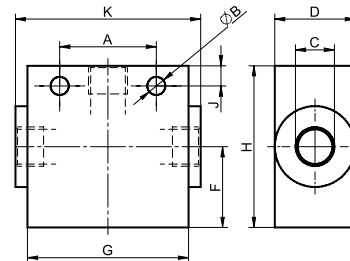
Order codes	C-Thread	A	B	D	E	F	G	H	I	J	K	Weight [kg]
2760 0100 0400 0000	G1/8 <sup>c</sup>	24	4,5	20	8	24	40	35	7	5	45	0,12

Working pressure	0,2 to 1,0 MPa
Temperature range	-20°C to +80°C
Working medium	modified compressed air


**Logical gate OR (sum)**

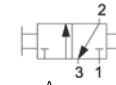
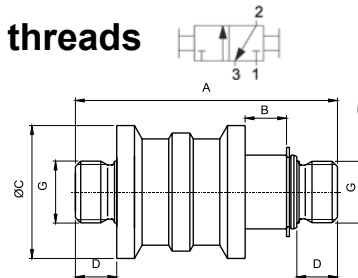
Order codes	C-Thread	A	B	D	F	G	H	I	J	K	Weight [kg]
2760 0200 0400 0000	G1/8 <sup>c</sup>	24	4,5	20	20	40	40	7	5	45	0,12

Working pressure	0,2 to 1,0 MPa
Temperature range	-20°C to +80°C
Working medium	modified compressed air


**Manually operated slide valve 3/2 with external threads**

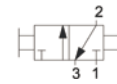
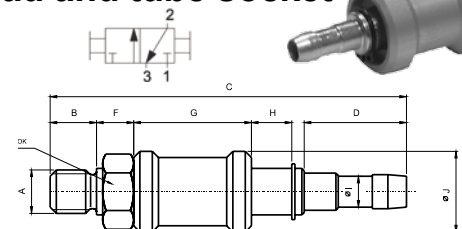
Order codes	G - Thread	A	B	C	D	Weight [kg]
2740 3200 1006 0600	G1/4 <sup>c</sup>	71	10	24	10	0,09
2740 3200 1008 0800	G3/8 <sup>c</sup>	87	12	34	10	0,20
2740 3200 1010 1000	G1/2 <sup>c</sup>	89	14	45	14	0,26

Working pressure, temperature and medium see below


**Manually operated slide valve 3/2 with external thread and tube socket**

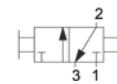
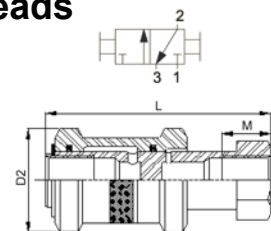
Order codes	A - Thread	B	C	D	F	G	H	I	J	OK	Weight [kg]
2740 3200 2006 3300	G1/4 <sup>c</sup>	10	77	21	6	27	10	8	24	17	0,08

Working pressure, temperature and medium see below


**Manually operated slide valve 3/2 with internal threads**

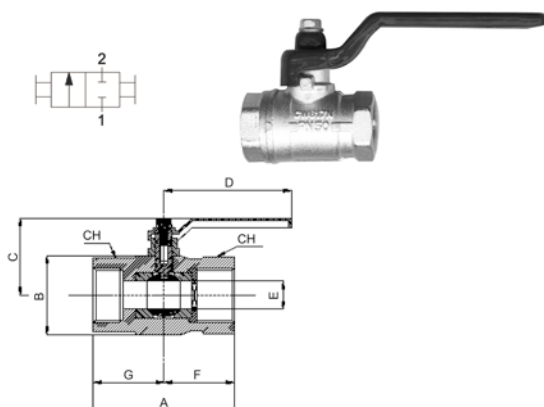
Order codes	G - Thread	Js	D2	M	L	OK	Flow capacity [NI/min]
N530-000	G1/8 <sup>c</sup>	4	25	12	48	14	700
N530-001	G1/4 <sup>c</sup>	7	35	12	58	19	1100
N530-002	G3/8 <sup>c</sup>	10	38	12	68	22	1500
N530-003	G1/2 <sup>c</sup>	15	48	15	88	27	2200

Working pressure	0 to 1,0 MPa (2740...), 0 to 1,6 MPa (N530)
Temperature range	-10°C to +80°C
Working medium	modified compressed air



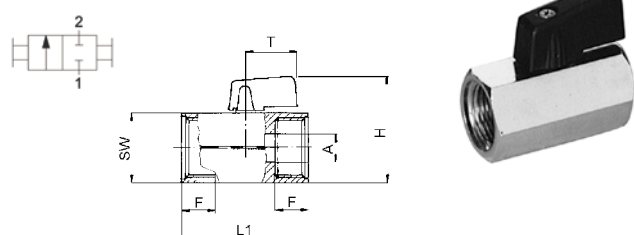
## Standard ball valve 2/2

Order codes	Thread	A	B	C	D	E	F	G	CH
NKHI25	G1/4"	51	25,5	40	80	10	25,5	25,5	18
NKHI37	G3/8"	60	25,5	40	80	10	30	30	21
NKHI50	G1/2"	75	32,5	50	89	15	37,5	37,5	25
NKHI75	G3/4"	80	42	59	113	20	40	40	31
NKHI100	G1"	90	49,5	63	113	25	45	45	40
NKHI125	G1 1/4"	110	59,5	77	138	32	55	55	49
NKHI150	G1 1/2"	120	72	91	158	40	60	60	54
NKHI200	G2"	140	86	97	158	50	70	70	68,5



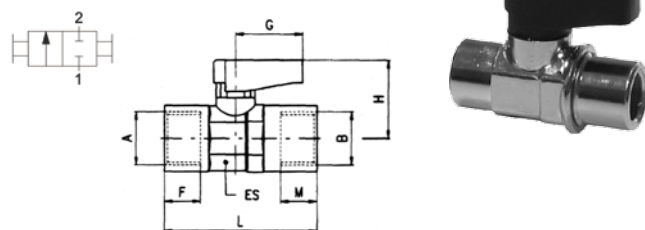
## Medium ball valve 2/2

Order codes	Thread	A	F	H	L1	SW	T
NKMI10	G1/8"	6	9	38	39	21	22
NKMI25	G1/4"	8	9	38	39	21	22
NKMI37	G3/8"	8	9	38	42	21	22
NKMI50	G1/2"	10	10,5	42	47	25	22
NKMI75	G3/4"	12	10,5	46	54	30	22



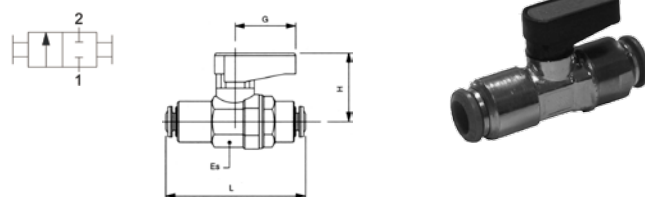
## Small ball valve 2/2

Order codes	Thread A,B	ES	F	M	L	G	H
NKMI10-01	G1/8"	14-15	7,4	7,4	36	19	21
NKMI25-01	G1/4"	14-15	11	11	43	19	21
NKMI37-01	G3/8"	18-19	11,4	11,4	47	19	22
NKMI50-01	G1/2"	22-23	15	15	59	26	30,5
NKMI75-01	G3/4"	28-30	16,3	16,3	67	26	33



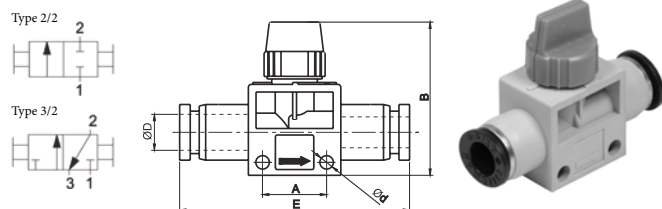
## Small ball valve 2/2 with push-in fittings

Order codes	For tube	Es	L	G	H
NKMI-004	4 / 2	15	44	19	21
NKMI-006	6 / 4	15	48	19	21
NKMI-008	8 / 6	15	48	19	21



## Plastic ball valve 2/2 and 3/2 with push-in fittings and mounting holes

Order codes		For tube D	A	B	d	E
Type 2/2	Type 3/2					
P140-006-000	P141-006-000	6 / 4	16,5	41,5	4,2	51,6
P140-008-000	P141-008-000	8 / 6	16,5	41,5	4,2	52,6
P140-010-000	P141-010-000	10 / 8	21,5	46	4,2	64,1
P140-012-000	P141-012-000	12 / 9, 12 / 10	21,5	46	4,2	64,4



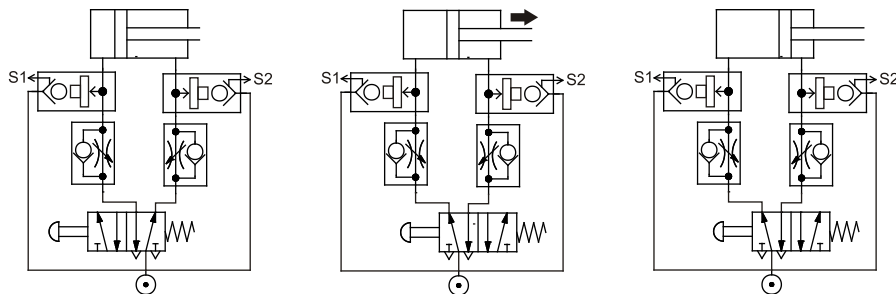
Working pressure	0 to 1,5 MPa (NKMI), 0 to 2,5 MPa (NKHI) 0 to 1,0 MPa (P140)
Temperature range	-10°C to +90°C (up to +60°C with push-in fittings)
Working medium	modified compressed air, oil, water

## Sensor fitting

Order codes	D1 - Thread	D2	D3	L1	L2	L3	L4	CH1	CH2	Weight [kg]
2899 0029 9040 0005	G1/8"	4	G1/8"	5	11	29,5	38	13	16	0,069
2899 0029 9060 0001	G1/4"	4	G1/4"	6,5	13	33	40	16	16	0,079
2899 0029 9080 0001	G3/8"	4	G3/8"	7	13	33	42	20	20	0,098

<b>Working pressure [MPa]</b>	0,3	0,4	0,5	0,6	0,7	0,8	0,9	1,0
<b>Switching pressure [MPa]</b>	0,03	0,05	0,065	0,09	0,10	0,12	0,14	0,16

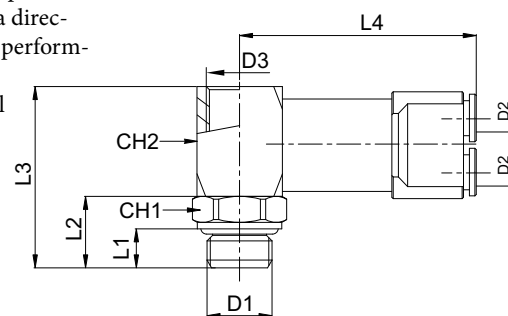
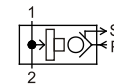
Threshold sensor can detect a pressure drop and signal it with a command signal (s). This component turns out to be especially useful when assembled directly on the cylinder. When the piston completes its stroke (no more counter pressure available in the cylinder), a command signal is given out to a direction valve to have the piston change the stroke. Sole condition required for perfect component performance is that the piston has to complete its stroke. No intermediate positions are allowed. Major advantage of this component is to command the piston stroke changes without electrical connections.



Cylinder is retracted, signal S1 is active, S2 is inactive.

Cylinder is thrusting, both signals S1 and S2 are inactive.

Cylinder is thrust, signal S1 is inactive, S2 is active.

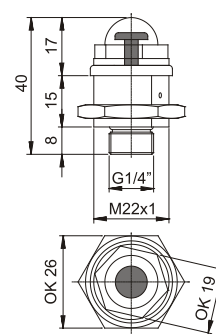


Working pressure	0,3 to 1,0 MPa
Temperature range	0°C to +70°C
Working medium	modified compressed air

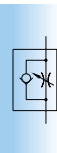
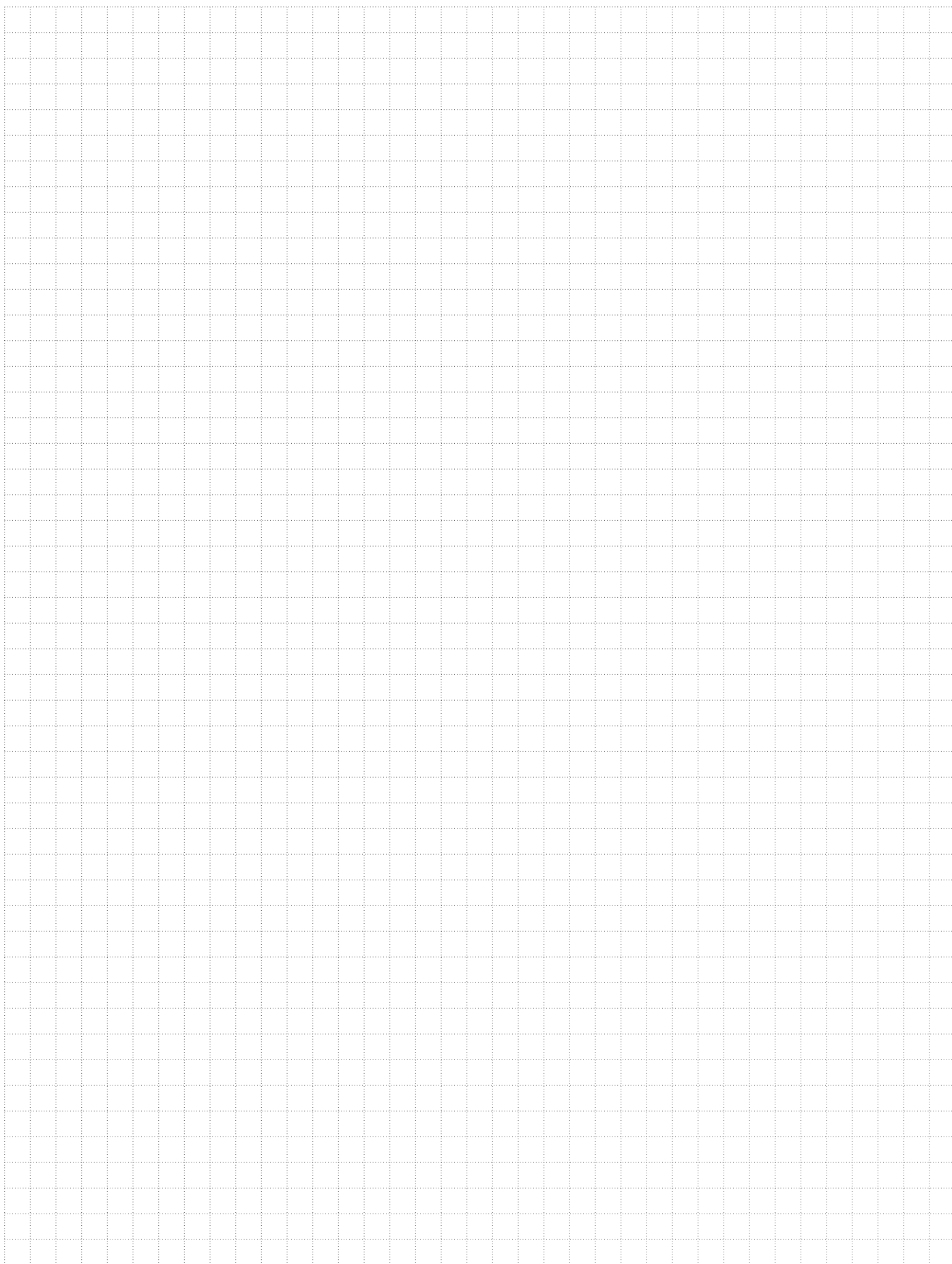
## Pressure indicator

Order codes	Colour	Thread	Weight [kg]
2899 0020 3060 0003	red	G1/4"	0,053
2899 0020 3060 0004	yellow	G1/4"	0,053
2899 0020 3060 0005	green	G1/4"	0,053
2899 0020 3060 0006	blue	G1/4"	0,053

Pressure indicator is used for visual display, if there is a pressure in the circuit. Indicator doesn't show the value of a pressure, but only if there is or isn't pressure. In case, that there is a pressure, the colour disk is visible in the dome, with visibility of 180°.



Working pressure	0,2 to 1,0 MPa
Temperature range	0°C to +60°C
Working medium	modified compressed air

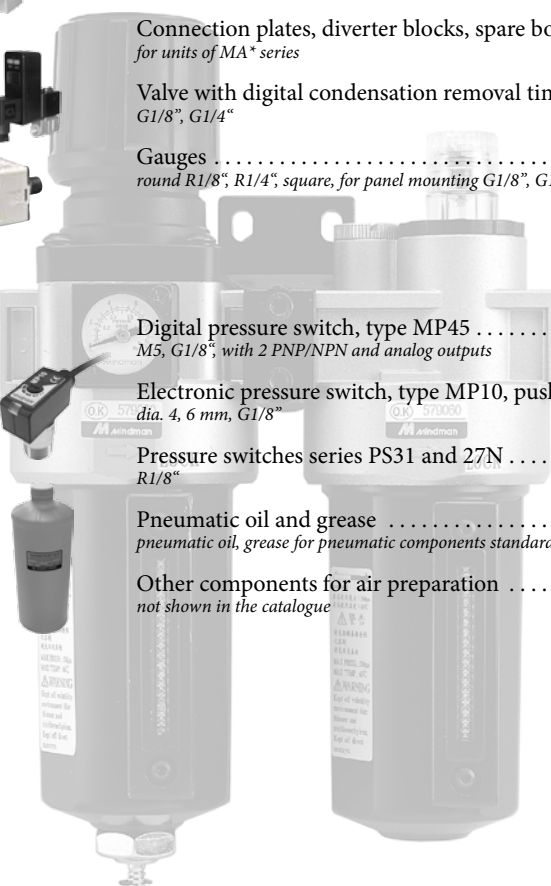


**Complete FRL units and standalone units**


FRL units series MACP300 <i>G1/4", G3/8"</i> .....	8-2
FRL units series MACP401 <i>G1/4", G3/8", G1/2"</i> .....	8-3
FRL units series MACP402 <i>G3/8", G1/2", G3/4"</i> .....	8-4
FRL units series MACP501 <i>G3/4", G1"</i> .....	8-5
Compact FRL units series MACC <i>G1/4", G3/8"</i> .....	8-6
Precision regulator series MAIR <i>G1/8", G1/4"</i> .....	8-7
Filters series MAF300, MAF401, MAF402 and MAF501 <i>G1/4", G3/8", G1/2", G3/4", G1"</i> .....	8-8
Regulators series MAR200, MAR300, MAR401, MAR402 and MAR501 <i>G1/4", G3/8", G1/2", G3/4", G1"</i> .....	8-10
Particular filters series MAFR300, MAFR401, MAFR402 and MAFR501 <i>G1/4", G3/8", G1/2", G3/4", G1"</i> .....	8-12
Lubricators series MAL300, MAL401, MAL402 and MAL501 <i>G1/4", G3/8", G1/2", G3/4", G1"</i> .....	8-14
Coalescing filters series MAF401 <i>G1/4", G3/8", G1/2"</i> .....	8-16
Soft start-up valve series MAVS401 <i>G1/2"</i> .....	8-17
Shutoff valve series MVHR <i>G1/4", G3/8", G1/2"</i> .....	8-18
Shutoff valve series MVHT <i>G1/4", G3/8", G1/2"</i> .....	8-19
Connection plates, diverter blocks, spare bowls, spare filter elements <i>for units of MA+ series</i> .....	8-20
Valve with digital condensation removal timer <i>G1/8", G1/4"</i> .....	8-20
Gauges <i>round R1/8", R1/4", square, for panel mounting G1/8", G1/4", digital gauges G1/8"</i> .....	8-21

**Accessories**

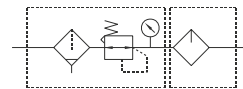

Digital pressure switch, type MP45 <i>M5, G1/8", with 2 PNP/NPN and analog outputs</i> .....	8-23
Electronic pressure switch, type MP10, push-in or with thread <i>dia. 4, 6 mm, G1/8"</i> .....	8-24
Pressure switches series PS31 and 27N <i>R1/8"</i> .....	8-25
Pneumatic oil and grease <i>pneumatic oil, grease for pneumatic components standard, for high temperatures and with PTFE-Teflon</i> .....	8-26
Other components for air preparation <i>not shown in the catalogue</i> .....	8-27



# FRL AIR PREPARATION UNIT SERIES MACP300



The new FRL unit series with robust metal construction with polycarbonate bowls with plastic guards. High flow rate and 5 µm filter element predestine these units for all smaller applications.



Port thread	G1/4"	G3/8"
Primary pressure [MPa]	0,05 to 0,99	
Secondary pressure [MPa]	0,05 to 0,85	
Test pressure [MPa]	1,5	
Temperature range [°C]	-5 to +60	
Filter element [µm]	5	
Oil bowl capacity [l]	0,055	
Min. lubricator flow [Nl/min]	50	60
Weight [kg]	0,72	
Supply contain	gauge (PPG-40, R1/8"), bracket	

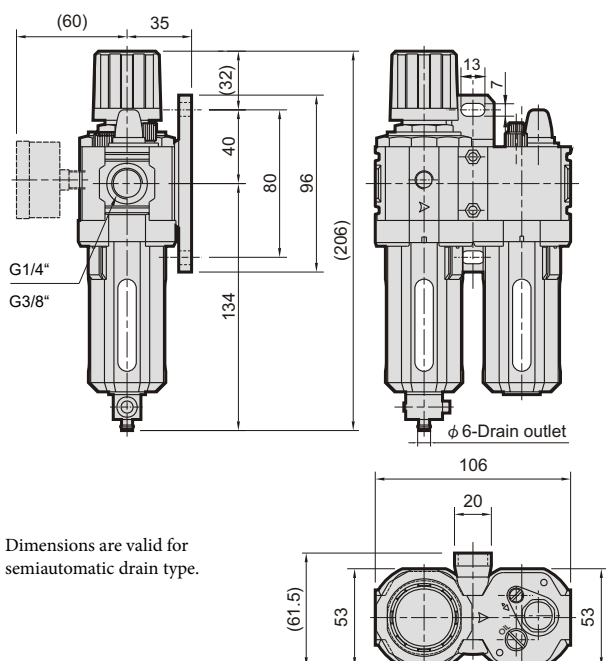
## Order codes

PMACP300-8A = BSP

Port size		Condensation draining	
8A	G1/4"	-	semiautomatic
10A	G3/8"	D	automatic

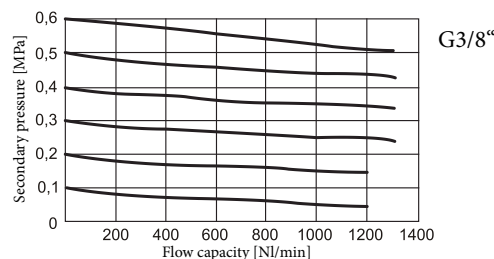
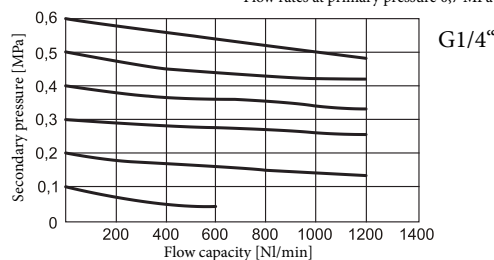
**i** Semiautomatic condensation draining automatically drain when the primary pressure drop under 0,05 MPa.

## Dimensions



## Flow capacity

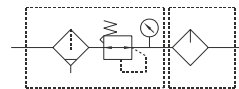
Flow rates at primary pressure 0,7 MPa







The new FRL unit series is interest for its robust metal construction inclusive metal bowls with level indicator at first sight. Countersunk gauge isn't predisposed to damage. These accessible units with good flow capacity and 40 µm filter element will find exercise in many applications.



Port thread	G1/4"	G3/8"	G1/2"
Primary pressure [MPa]	0,1 to 1,5		
Secondary pressure [MPa]	0,1 to 0,85		
Test pressure [MPa]	2,0		
Temperature range [°C]	-5 to +60		
Filter element [µm]	40		
Oil bowl capacity [l]	0,2		
Min. lubricator flow [Nl/min]	30	65	80
Weight [kg]	1,52		
Supply contain	gauge (PPG-20), bracket (elbow)		

### Order codes

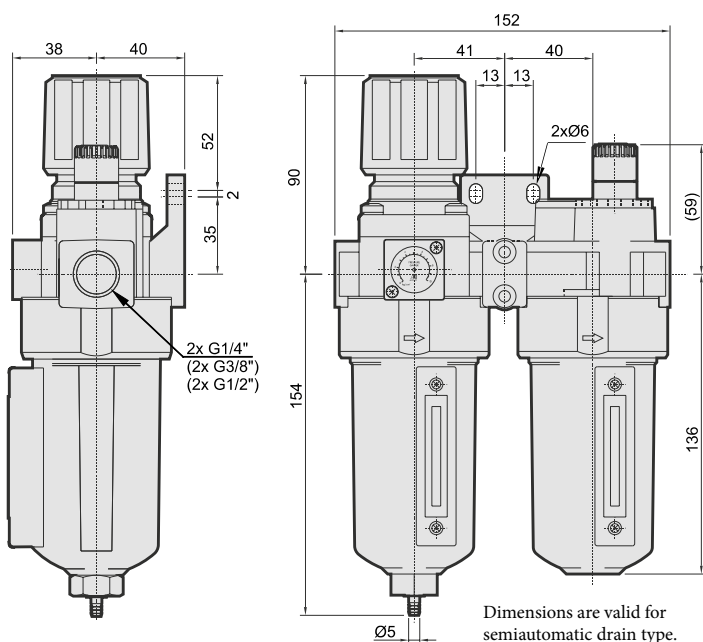
PMACP401-8A = BSP

Port size		Condensation draining	
8A	G1/4"	—	semiautomatic
10A	G3/8"	D	automatic
15A	G1/2"		

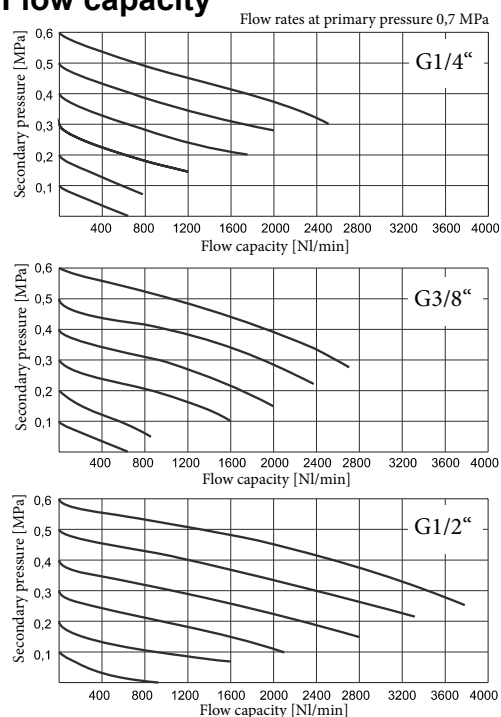


Semiautomatic condensation draining automatically drain when the primary pressure drop under 0,05 MPa.

### Dimensions



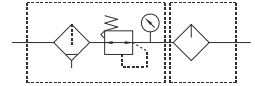
### Flow capacity



# FRL AIR PREPARATION UNIT SERIES MACP402



FRL series with metal construction and polycarbonate bowls with metal guards. The main advantages are high flow capacity for hard applications, the excellent readability of values thanks to big gauge and 40 µm filter element (optionally 5 µm).



Port thread	G3/8"	G1/2"	G3/4"
Primary pressure [MPa]	0,05 to 1,0		
Secondary pressure [MPa]	0,05 to 0,85		
Test pressure [MPa]	1,5		
Temperature range [°C]	-5 to +60		
Filter element [µm]	40 (on request 5)		
Oil bowl capacity [l]	0,18		
Min. lubricator flow [Nl/min]	200		
Weight [kg]	1,85		
Supply contain	gauge (PPG-50, R1/4"), bracket		

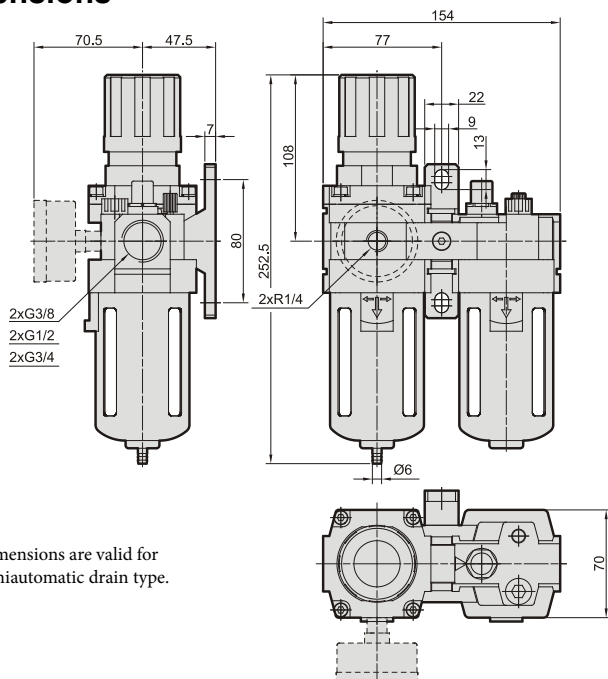
## Order codes

PMACP402-15A - BSP

Port size		Condensation draining	
10A	G3/4"	-	semiautomatic
15A	G1/2"	D	automatic
20A	G3/4"		

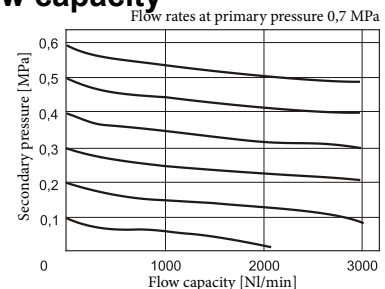
**i** Semiautomatic condensation draining automatically drain when the primary pressure drop under 0,05 MPa.

## Dimensions



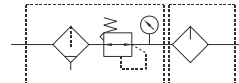
Dimensions are valid for semiautomatic drain type.

## Flow capacity





FRL series which supplement series MACP401. Also this series features by robust construction with polycarbonate or nylon bowls with plastic guards, or metal bowls. These reasonable units with 40 µm filter element will find usage in wide range of applications, where the high flow is necessary.



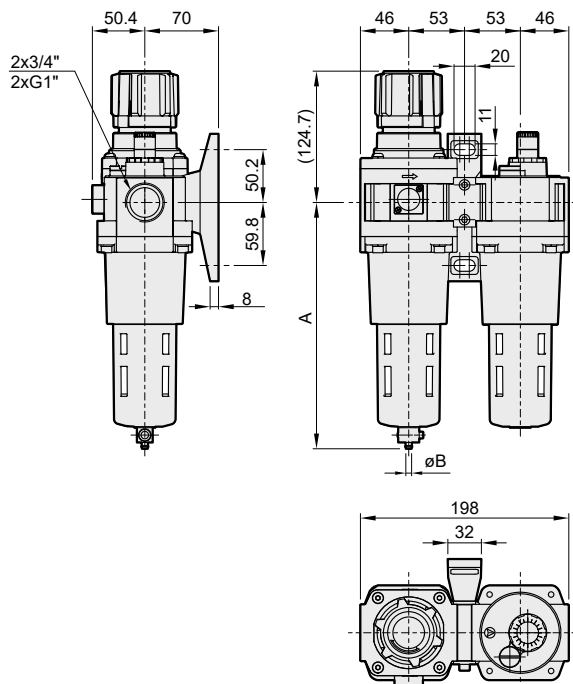
Port thread	G3/4"	G1"
Primary pressure [MPa]	0,1 to 1,0 (polycarbonate and nylon bowls), 0,1 to 1,5 (metal bowls)	
Secondary pressure [MPa]	0,1 to 0,85	
Test pressure [MPa]	1,5 (polycarbonate and nylon bowls), 2,0 (metal bowls)	
Temperature range [°C]	-5 to +60	
Filter element [µm]	40	
Oil bowl capacity [l]	0,2	
Min. lubricator flow [Nl/min]	25	33
Weight [kg]	3,48 (polycarbonate and nylon bowls), 3,72 (metal bowls)	
Supply contain	gauge (PPG-20), bracket	

**Order codes**
**PMACP501-20A M = BSP**

Port size		Bowls		Condensation draining	
20A	G3/4"		polycarbonate	-	semiautomatic
25A	G1"	N	nylon	D	automatic
		M	metal		



Semiautomatic condensation draining automatically drain when the primary pressure drop under 0,05 MPa.

**Dimensions**

**Semiautomatic condensation draining**

Bowls	A	B
polycarbonate	233,8	6
nylon		
metal	231,4	5

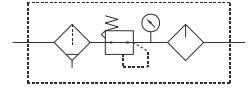
**Automatic condensation draining**

Bowls	A	B
polycarbonate	242,9	8
nylon		
metal	243,3	8

# COMPACT FRL AIR PREPARATION UNIT SERIES MACC



This compact unit is full-featured FRL unit which consist of filter, regulator and lubricator. Is effectively designed to reach good parameters at all-in-one design. This accessible unit will can be used everywhere, where is necessary to save the place.



Port thread	G1/4"	G3/8"
Primary pressure [MPa]	0,1 to 1,5	
Secondary pressure [MPa]	0,1 to 0,99	
Test pressure [MPa]	1,5	
Temperature range [°C]	-5 to +60	
Filter element [µm]	5	
Oil bowl capacity [l]	0,05	
Min. lubricator flow [NI/min]	50	60
Weight [kg]	0,66	
Supply contain	gauge (PPG-40, R1/8"), bracket (elbow)	

## Order codes

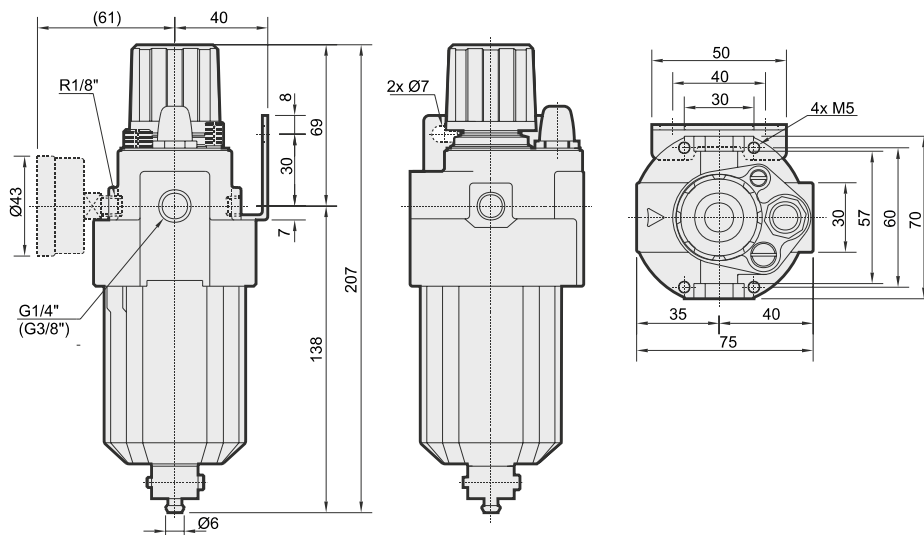
PMACC300-8A-BSP

Port size	
8A	G1/4"
10A	G3/8"

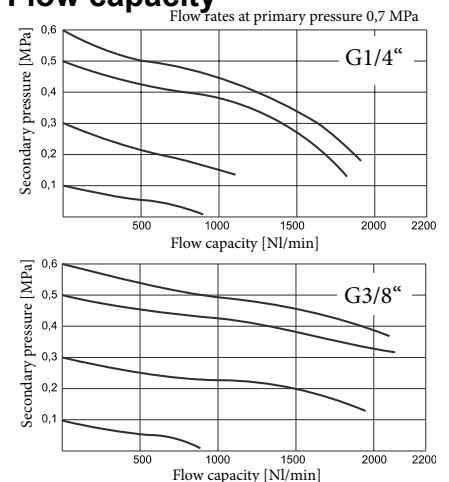


Semiautomatic condensation draining automatically drain when the primary pressure drop under 0,05 MPa.

## Dimensions

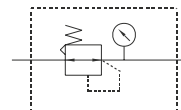


## Flow capacity





Precision pressure regulators are used for reduce of pressure to precise working pressure, which is automatically hold on selected value. It can be used especially in control applications, where the exact value of output pressure is required.



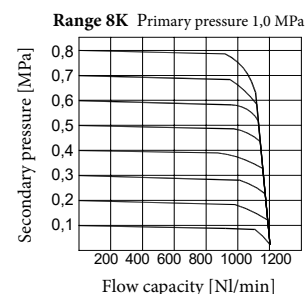
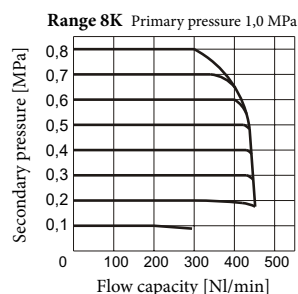
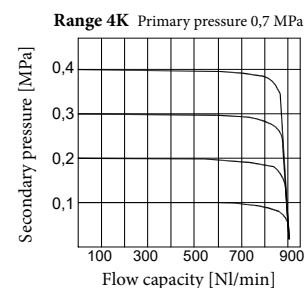
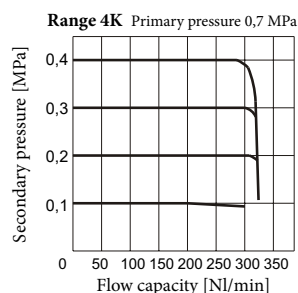
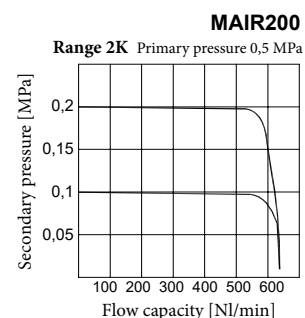
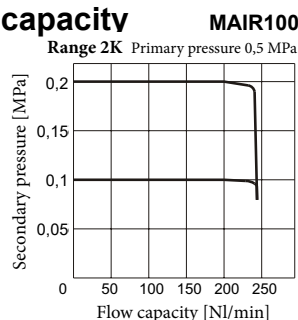
Port size	MAIR100 - G1/8"		MAIR200 - G1/4"
Primary pressure [MPa]	0 to 0,99		
Secondary pressure [MPa]	range 2K: 0,005 to 0,2	range 4K: 0,01 to 0,4	range 8K: 0,01 to 0,8
Test pressure [MPa]	1,5		
Output sensitivity [MPa]	0,2% of full span		
Output repeatability [MPa]	0,5% of full span		
Temperature range [°C]	-5 to +60		
Weight [kg]	0,150		0,300
Supply contain	gauge (R1/8"), bracket (elbow)		

## Order codes

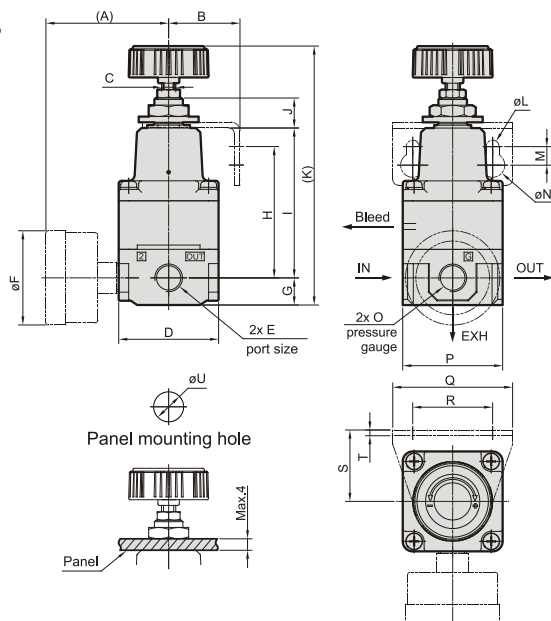
PMAIR 100 6A 2K BSP

Type - port size		Secondary pressure range	
100 6A	G1/8"	2K	0,005-0,2 MPa
200 8A	G1/4"	4K	0,01-0,4 MPa
		8K	0,01-0,8 MPa

## Flow capacity



## Dimensions



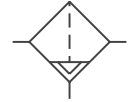
Series	A	B	C	D	E	F	G	H	I	J	K	L	M	N	O	P	Q	R	S	T	U
MAIR100	43	25	M5x0,5	35	G1/8"	33	9,5	46	52,5	10,5	90,7	4,5	6,5	8,5	R1/8"	35	42	28	25	2	10,5
MAIR200	55	30	M6x0,5	50	G1/4"	42	18,5	63	71	11,3	127,3	5,5	7	9,5	R1/8"	59,2	50	36	30	2	12,5

# FILTERS SERIES MAF300, MAF401, MAF402 AND MAF501



Primary air particulate filters are designed to separate liquid, water, rust, pipe scale, and debris from air lines. They should be installed upstream of the regulator and/or lubricator to prevent contamination from reaching other components.

Series 300 has got polycarbonate bowl with plastic guard, series 401 has got metal bowl with sight glass, series 402 has got polycarbonate bowl with metal guard and series 501 has got polycarbonate or nylon bowl with plastic guard or metal bowl.



Port thread	MAF300		MAF401			MAF402			MAF501	
	G1/4"	G3/8"	G1/4"	G3/8"	G1/2"	G3/8"	G1/2"	G3/4"	G3/4"	G1"
Flow at 0,7 MPa ( $\Delta p=0,03\text{MPa}$ ) [Nl/min]	1500	1900	1300	2000	2500	4000	4000	4000	7000	7000
Primary pressure [MPa]	0 to 0,99		0 to 1,5			0 to 1,0			0 - 1,0 (0 - 1,5)*	
Test pressure [MPa]	1,5		2			1,5			1,5 (2)*	
Temperature range [°C]	-5 to +60		-5 to +60			-5 to +60			-5 - +60	
Filter element [ $\mu\text{m}$ ]	5 (on request 40)		40 (on request 5)			40 (on request 5)			40	
Weight [kg]	0,30		0,48			0,45			1,18 (1,30)*	
Supply contain	without bracket		bracket			without bracket			without bracket	

\*) Values in the brackets are valid for metal bowl for series 501.

## Order codes

### PMAF401-10A – BSP

Port size	
300-8A	G1/4"
300-10A	G3/8"
401-8A	G1/4"
401-10A	G3/8"
401-15A	G1/2"
402-10A	G3/8"
402-15A	G1/2"
402-20A	G3/4"

Condensation draining	
–	semiautomatic
D	automatic

**i** Semiautomatic condensation draining automatically drain when the primary pressure drop under 0,05 MPa.

### PMAF501-20A M – BSP

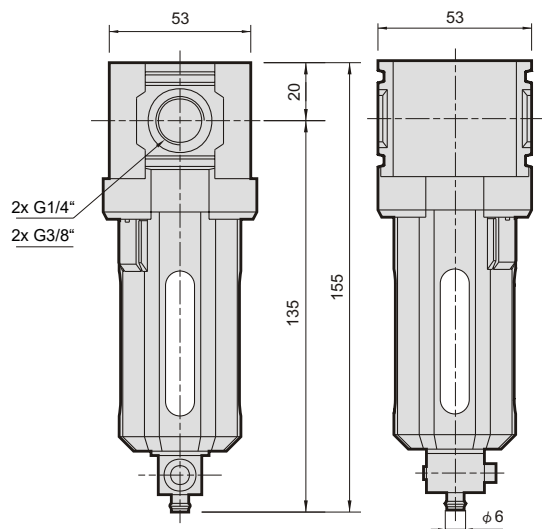
Port size	
501-20A	G3/4"
501-25A	G1"

Bowl (series 501)	
	polycarbonate
N	nylon
M	metal

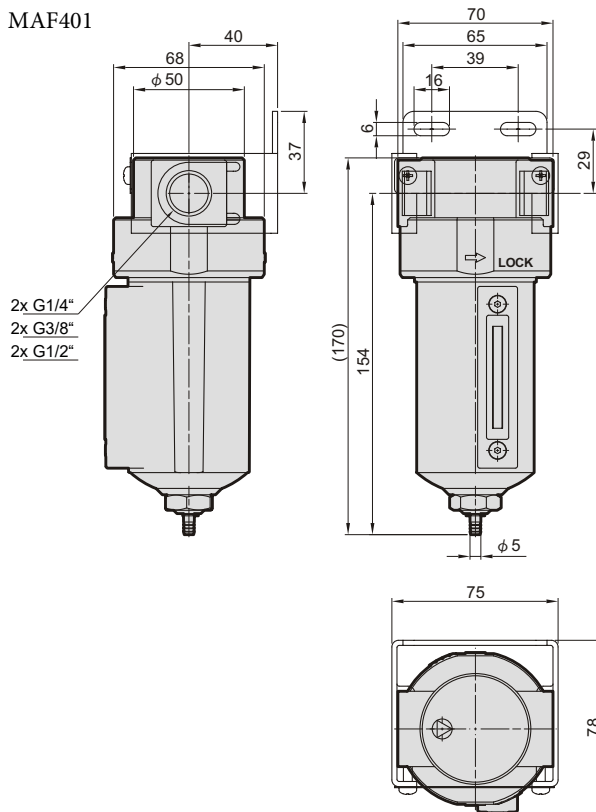
Condensation draining	
–	semiautomatic
D	automatic

## Dimensions

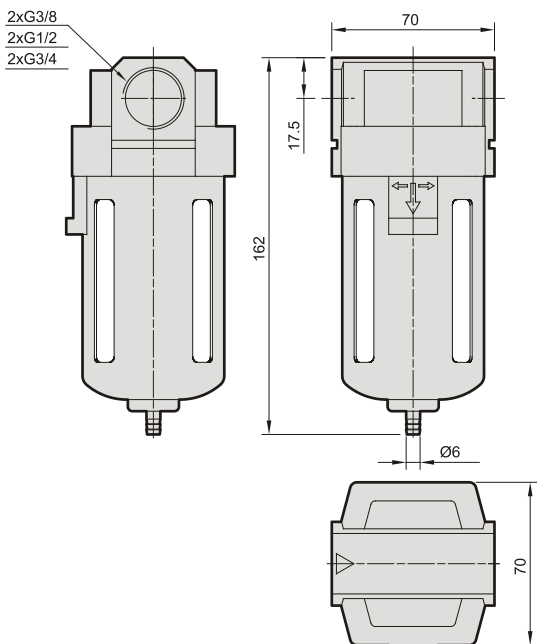
MAF300



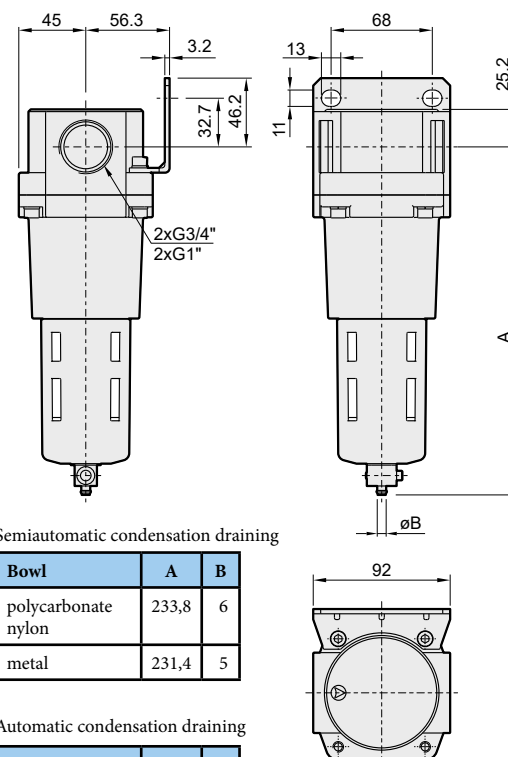
MAF401



MAF402



MAF501



Semiautomatic condensation draining

Bowl	A	B
polycarbonate	233,8	6
nylon		
metal	231,4	5

Automatic condensation draining

Bowl	A	B
polycarbonate	242,9	8
nylon		
metal	243,3	8

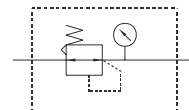
**i** Dimensions are valid for semiautomatic drain type.



# REGULATOR SERIES MAR200, MAR300, MAR401, MAR402 AND MAR501



Pressure regulators are used for reduce of pressure to working pressure, which is automatically hold on selected value. By using of optimal pressure, the longer lifetime of pneumatic components can be reach as well as save resources necessary for production of compressed air.



Port size	MAR200	MAR300		MAR401			MAR402			MAR500	
	G1/4"	G1/4"	G3/8"	G1/4"	G3/8"	G1/2"	G3/8"	G1/2"	G3/4"	G3/4"	G1"
Primary pressure [MPa]	0,05 to 0,99	0,05 to 0,99		0,1 to 1,5			0,1 to 1,0			0,1 to 1,5	
Secondary pressure [MPa]	0,05 to 0,85	0,05 to 0,85		0,1 to 0,85			0,05 to 0,85			0,1 to 0,85	
Test pressure [MPa]	1,5	1,5		2,0			1,5			2,0	
Temperature range [°C]	-5 to +60	-5 to +60		-5 to +60			-5 to +60			-5 to +60	
Weight [kg]	0,20	0,25		0,45			0,97			1,25	
Supply contain	gauge (PPG-40, R1/8"), bracket			gauge (PPG-20), bracket			gauge (PPG-50, R1/4"), bracket			gauge (PPG-20), bracket	

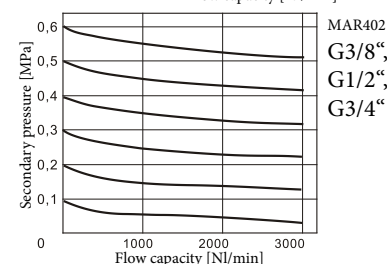
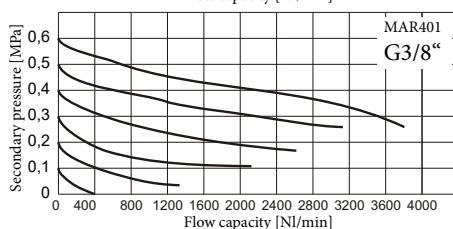
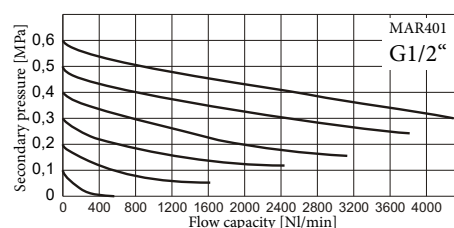
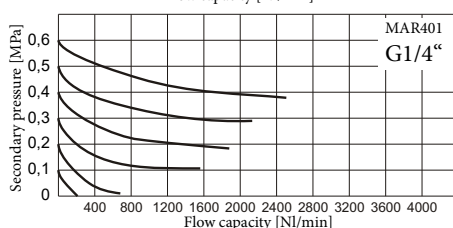
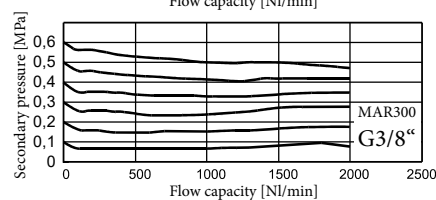
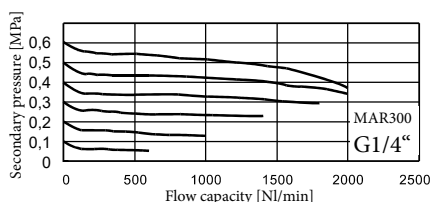
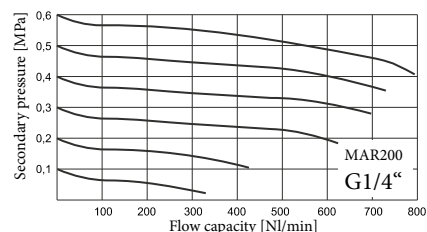
## Order codes

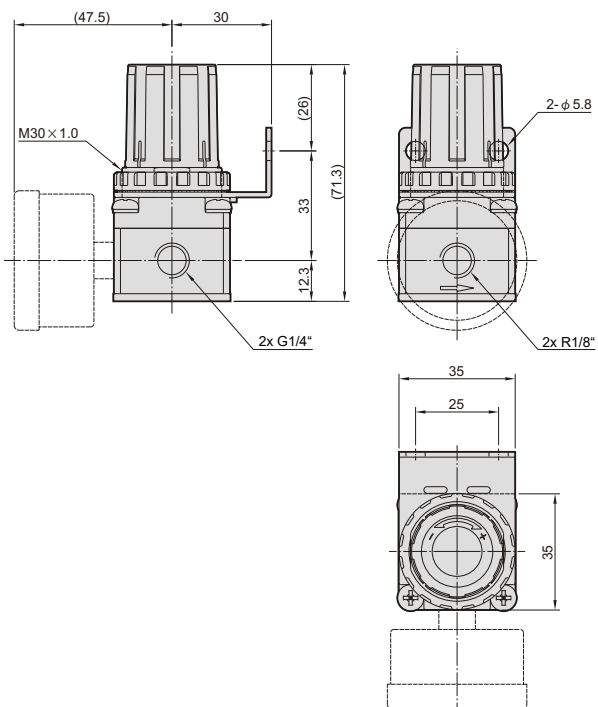
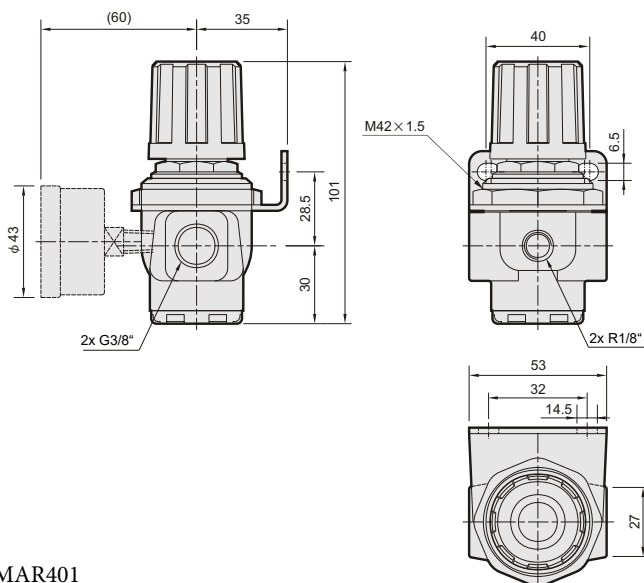
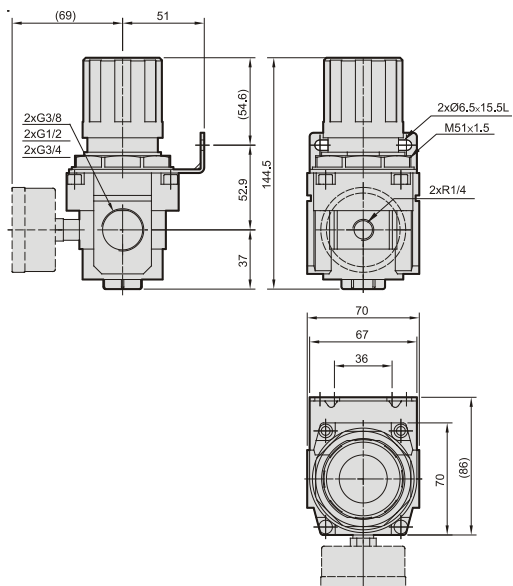
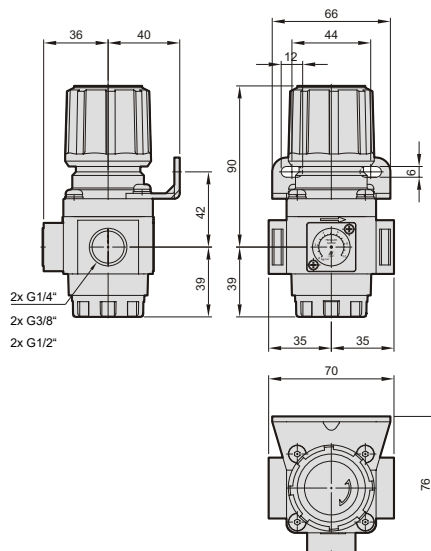
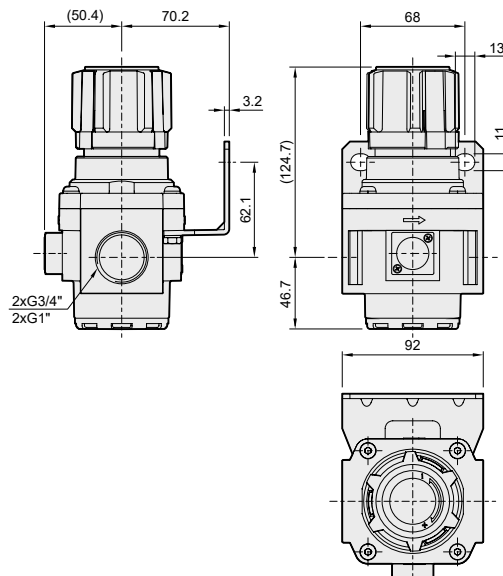
PMAR200-8A-BSP

Type - Port size	
200-8A	G1/4"
300-8A	G1/4"
300-10A	G3/8"
401-8A	G1/4"
401-10A	G3/8"
401-15A	G1/2"
402-10A	G3/8"
402-15A	G1/2"
402-20A	G3/4"
501-20A	G3/4"
501-25A	G1"

## Flow capacity

Flow rates at primary pressure 0,7 MPa



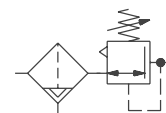
**Dimensions**
**MAR200**

**MAR300**

**MAR402**

**MAR401**

**MAR501**


# PARTICULAR FILTER WITH REGULATOR SERIES MAFR300, MAFR401, MAFR402 AND MAFR501



The integral part of the particulate filter/regulator ('piggyback') is a two station component designed to filter and regulate compressed air when cost and space are of primary concern.

Series 300 has got polycarbonate bowl with plastic guard, series 401 has got metal bowl with sight glass, series 402 has got polycarbonate bowl with metal guard and series 501 has got polycarbonate or nylon bowl with plastic guard or metal bowl.



Port size	MAFR300		MAFR401			MAFR402			MAFR501	
	G1/4"	G3/8"	G1/4"	G3/8"	G1/2"	G3/8"	G1/2"	G3/4"	G3/4"	G1"
Primary pressure [MPa]	0,05 to 0,99		0,1 to 1,5			0,05 to 1,0			0,1 to 1 (0,1 to 1,5)*	
Secondary pressure [MPa]	0,05 to 0,85		0,1 to 0,85			0,05 to 0,85			0,1 to 0,85	
Test pressure [MPa]	1,5		2,0			1,5			1,5 (2)*	
Filter element [µm]	5 (40 on request)		40 (on request 5)			40 (on request 5)			40	
Temperature range [°C]	-5 to +60		-5 to +60			-5 to +60			-5 to +60	
Weight [kg]	0,45		0,80			1,12			1,94 (2,06)*	
Supply contain	gauge (PPG-40), bracket		gauge (PPG-20), bracket			gauge (PPG-50), bracket			gauge (PPG-20), bracket	

\*) Values in the brackets are valid for metal bowl for series 501.

## Order codes

### PMAFR401-10A – BSP

Port size		Port size		Condensation draining	
300-8A	G1/4"	401-15A	G1/2"	–	semiautomatic
300-10A	G3/8"	402-10A	G3/8"	D	automatic
401-8A	G1/4"	402-15A	G1/2"		
401-10A	G3/8"	402-20A	G3/4"		

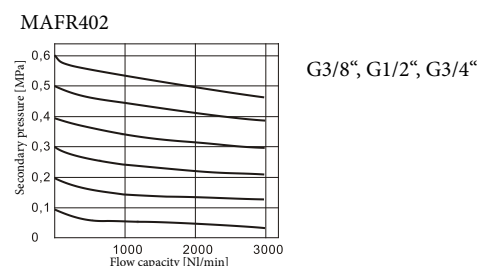
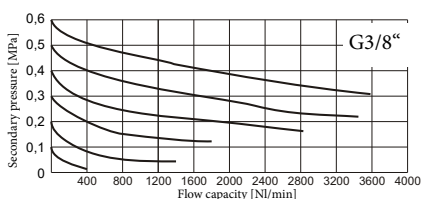
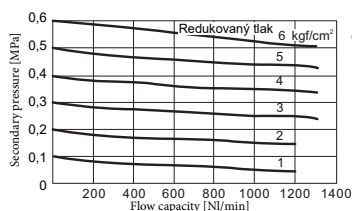
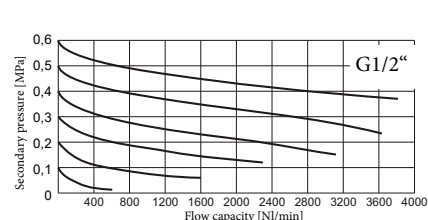
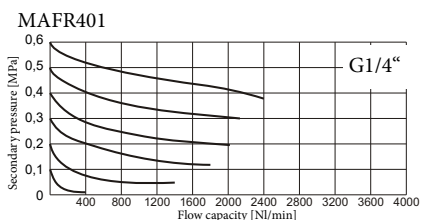
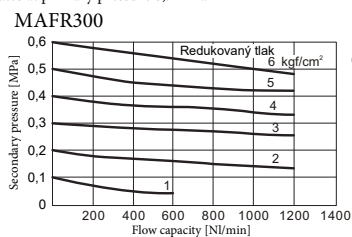
**i** Semiautomatic condensation draining automatically drain when the primary pressure drop under 0,05 MPa.

### PMAFR501-20A M – BSP

Port size		Bowl (series 501)		Condensation draining	
501-20A	G3/4"		polycarbonate	–	semiautomatic
501-25A	G1"	N	nylon	D	automatic
		M	metal		

## Flow capacity

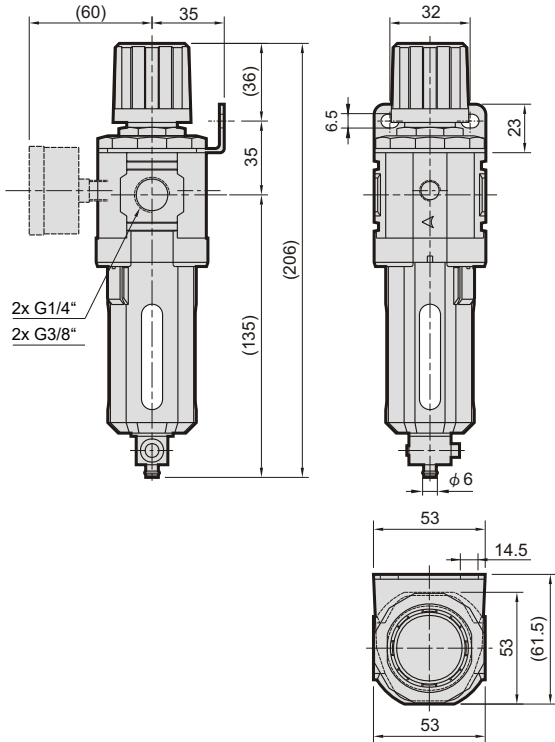
Flow rates at primary pressure 0,7 MPa



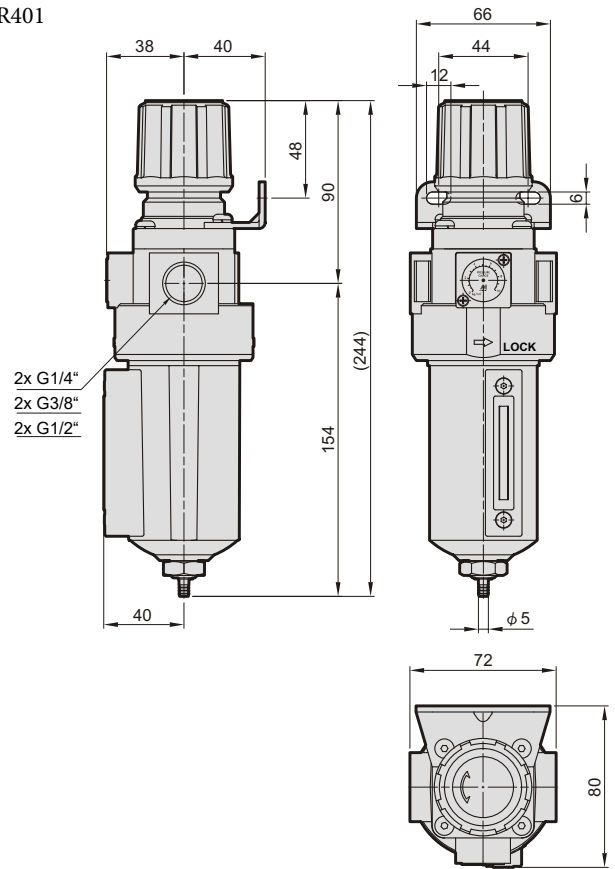
## Dimensions

Dimensions are valid for semiautomatic drain type.

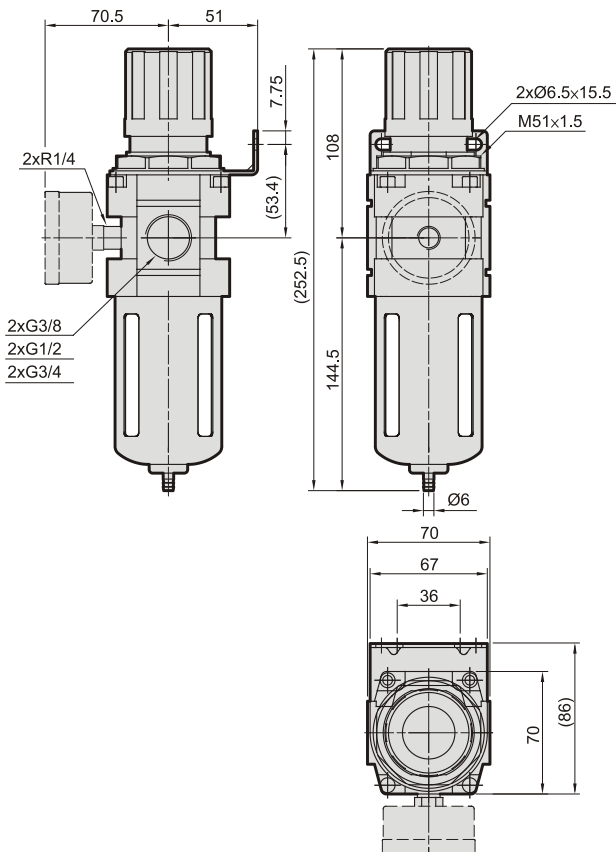
MAFR300



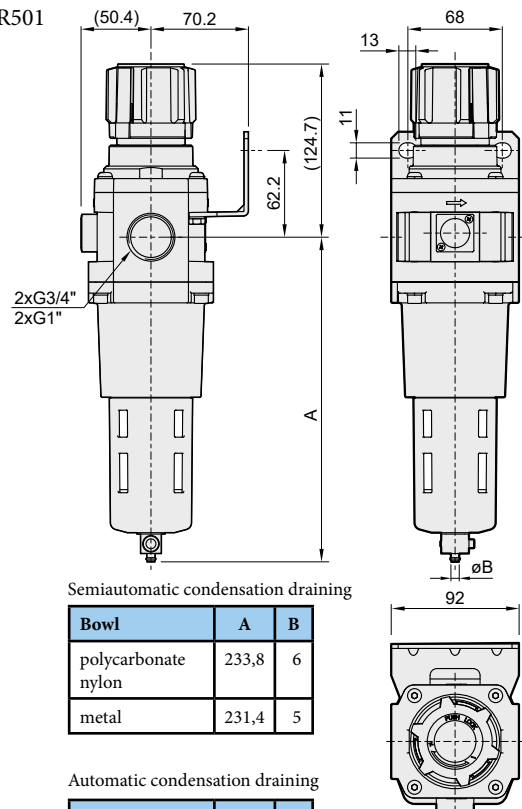
MAFR401



MAFR402



MAFR501



Semiautomatic condensation draining

Bowl	A	B
polycarbonate	233,8	6
nylon		
metal	231,4	5

Automatic condensation draining

Bowl	A	B
polycarbonate	242,9	8
nylon		
metal	243,3	8

# LUBRICATOR SERIES MAL300, MAL401, MAL402 AND MAL501



Usually mounted third in the FRL Series, the lubricator is designed to inject oil aerosols into the airstream of a pneumatic circuit. Series 300 has got polycarbonate bowl with plastic guard, series 401 has got metal bowl with sight glass, series 402 has got polycarbonate bowl with metal guard and series 501 has got polycarbonate or nylon bowl with plastic guard or metal bowl.



Port thread	MAL300		MAL401			MAL402			MAL501	
	G1/4"	G3/8"	G1/4"	G3/8"	G1/2"	G3/8"	G1/2"	G3/4"	G3/4"	G1"
Flow at 0,7 MPa ( $\Delta p=0,03\text{MPa}$ ) [NI/min]	1400	1800	1200	2000	2100	7500	7500	7500	11000	11000
Primary pressure [MPa]	0 to 0,99		0 to 1,5			0 to 1,0			0 to 1 (0 to 1,5)*	
Test pressure [MPa]	1,5		2			1,5			1,5 (2)*	
Temperature range [°C]	-5 to +60		-5 to +60			-5 to +60			-5 to +60	
Min. lubricator flow [NI/min]	50	60	30	65	80	200	200	200	25	33
Oil bowl capacity [l]	0,055		0,2			0,18			0,2	
Weight [kg]	0,3		0,545			0,48			1,26 (1,38)*	
Supply contain	without bracket		bracket			without bracket			without bracket	

\*) Values in the brackets are valid for metal bowl for series 501.

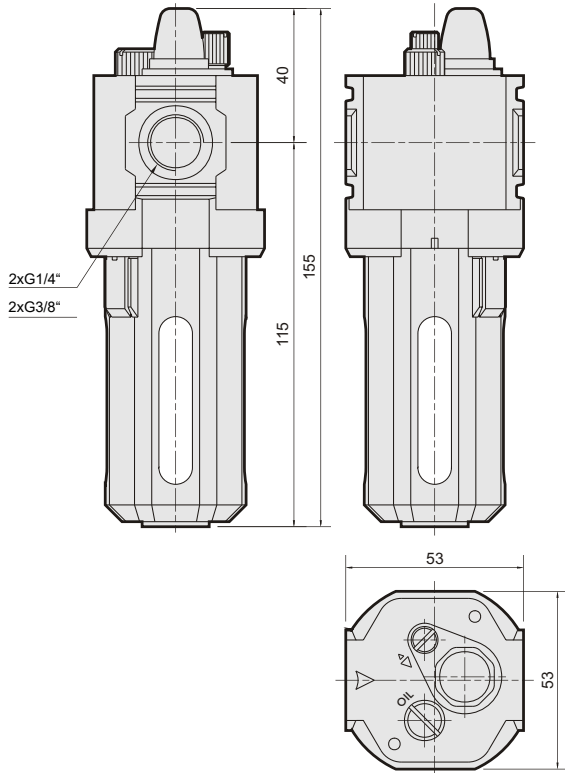
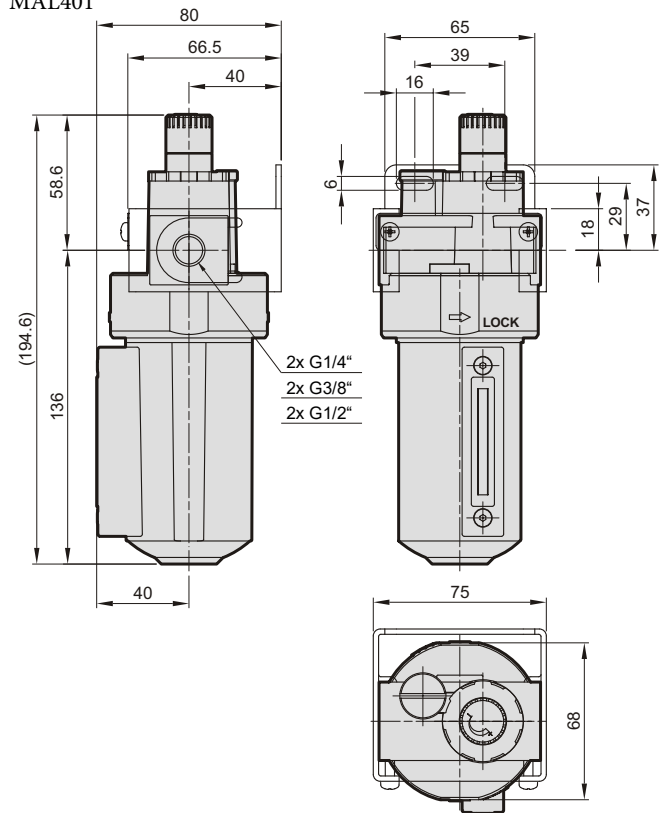
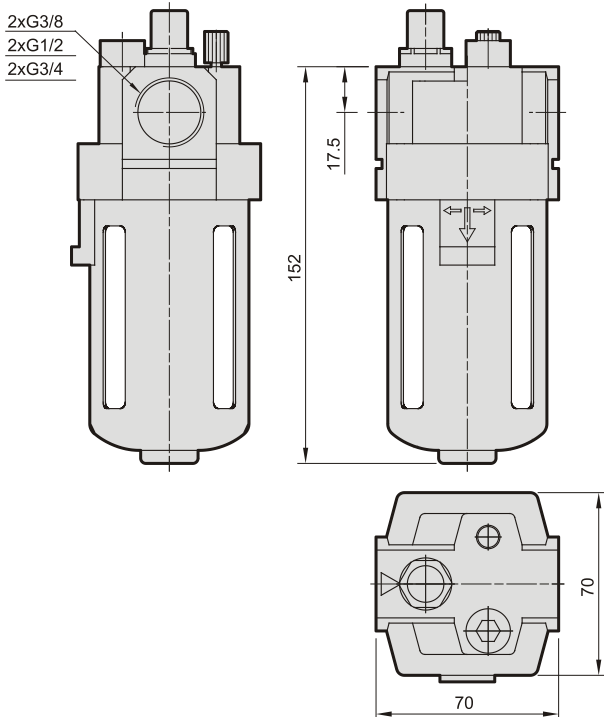
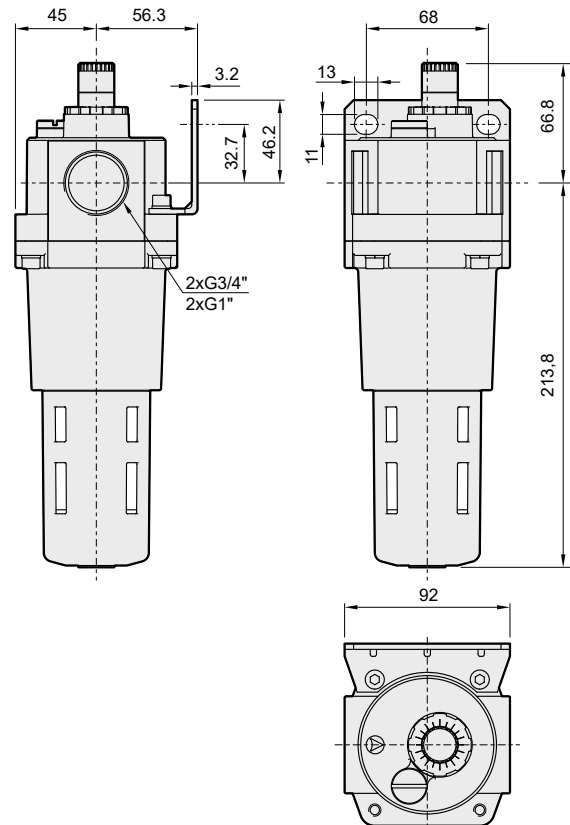
## Order codes

### PMAL401-10A – BSP

Port size	
300-8A	G1/4"
300-10A	G3/8"
401-8A	G1/4"
401-10A	G3/8"
401-15A	G1/2"
402-10A	G3/8"
402-15A	G1/2"
402-20A	G3/8"

### PMAL501-20A M = BSP

Port size		Bowl (series 501)	
501-20A	G3/4"		polycarbonate
501-25A	G1"	N	nylon
		M	metal

**Dimensions**
**MAL300**

**MAL401**

**MAL402**

**MAL501**




The coalescing filter is utilized when either clean air is required or longer component life is desired. This type of filter removes water and oil aerosols. It works differently than the particulate filter; dirty air enters the element from the centre and passes through a field of glass fibres which cause the aerosols to form into droplets which are heavier than the surrounding air. The droplets grow larger as they pass through the element and gravity causes the oil drops to drain to the sump of the bowl. By removing the harmful oil varnishes and contaminant that attack seals and gaskets, the valve or cylinder is much less likely to stick. To maximize the life of a coalescing filter it should always be used after a 5 micron particulate filter.

Series 401 has got metal bowl with sight glass.



Port thread	G1/4"	G3/8"	G1/2"
Flow at 0,7 MPa ( $\Delta p=0,03$ MPa) - filter element 5 $\mu$ m [Nl/min]	1300	2000	2500
Flow at 0,7 MPa ( $\Delta p=0,03$ MPa) - filter element 0,3 $\mu$ m [Nl/min]	450	450	450
Flow at 0,7 MPa ( $\Delta p=0,03$ MPa) - filter element 0,01 $\mu$ m [Nl/min]	240	240	240
Primary pressure [MPa]	0 to 1,5		
Test pressure [MPa]	2		
Temperature range [°C]	-5 to +60		
Filter element [ $\mu$ m]	5, 0,3 and 0,01		
Weight [kg]	0,48		
Supply contain	bracket		

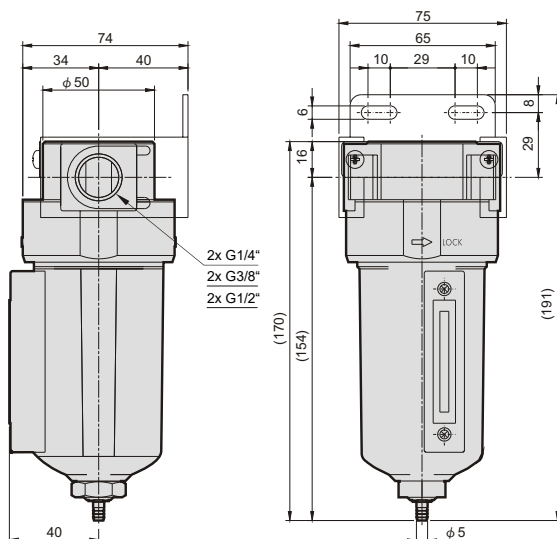
## Order codes

PMAF401 A -10A = BSP

Filter element		Port size		Condensation draining	
A	5 $\mu$ m	8A	G1/4"	—	semiautomatic
D	0,3 $\mu$ m	10A	G3/8"	D	automatic
M	0,01 $\mu$ m	15A	G1/2"		

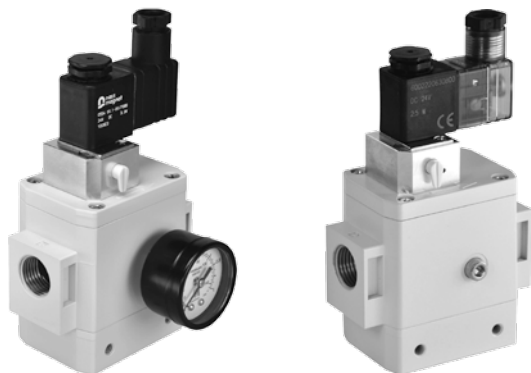
**i** Semiautomatic condensation draining automatically drain when the primary pressure drop under 0,05 MPa.

## Dimensions

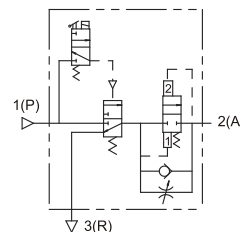


Dimensions are valid for semiautomatic drain type.





Soft start-up valve is used everywhere, where items in line behind the valve should be secured against intense pressure rise after connection to air supply, as is common when hand valve or quick connect couplings are used. When the valve is energized or manually operated, output pressure will increase gradually with flow rate, which can be adjusted. After specific pressure (see chart) is reached, full pressure and flow is switched to output. When the valve is de-energized or switched off manually, input is closed and air from the line will be quickly exhausted.



<b>Port size</b>	G1/2 <sup>c</sup>
Flow at 0,7 MPa ( $\Delta p=0,03\text{MPa}$ ) [Nl/min]	3000 in direction 1(P)→2(A); 3800 in direction 2(A)→3(R)
Primary pressure [MPa]	0,25 to 1,0
Temperature range [°C]	0 to +60
Power input [VA / W]	inrush 6, hold 4,9 for AC; 2,5 for DC
Insulation class	F
Weight [kg]	0,8
Supply contain	with connector, optionally with gauge, bracket on request

## Order codes

PMAVS4001 C D24 L

Gauge	
	without gauge
C	with gauge

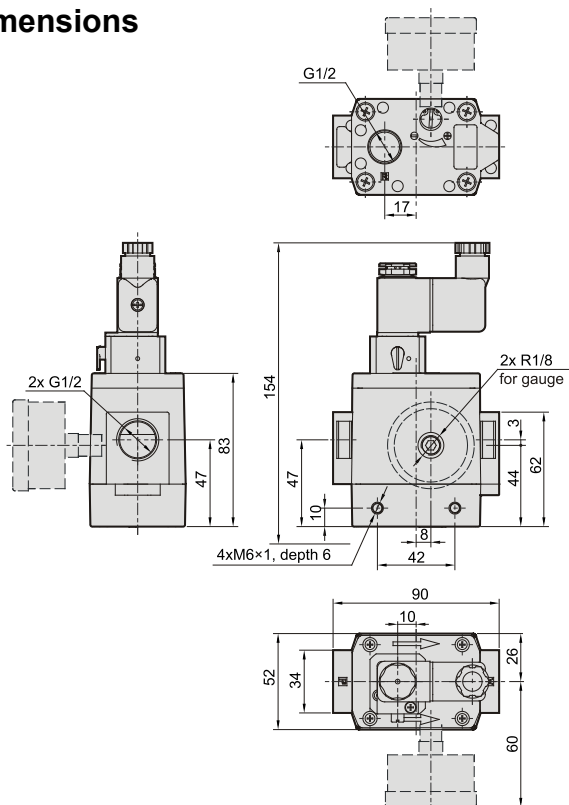
Voltage	
D24	24 V DC $\pm 10\%$
A220	230 V AC $\pm 10\%$ , 50-60 Hz
A24	24 V AC $\pm 10\%$ , 50-60 Hz

Connector	
	standard
L	with LED

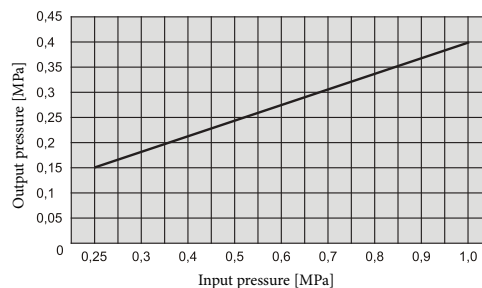
**i** Valve can be used standalone, or should be attached using connection plate (order code PMACP401-C) with other units of series 401.

**i** The total effective orifice of piping and components on the P port side must be equal or larger than 35 mm<sup>2</sup>. When the air current is restricted or insufficient pressure, the main valve will not function / switch normally and it could cause air to leak from the R port.

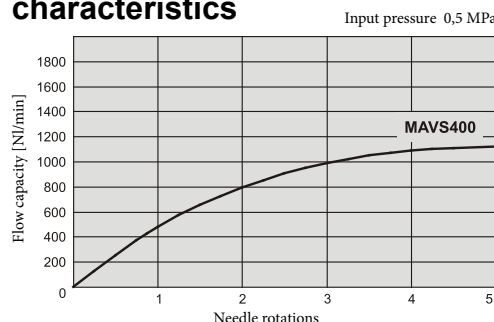
## Dimensions



## Full pressure and flow capacity switching point



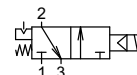
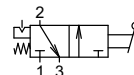
## Slow start-up flow capacity characteristics



# SHUTOFF VALVE SERIES MVHR300 AND MVHR400



Shutoff valve is an easy and inexpensive way to add shutoff capability to an FRL unit. It allows the air supply to be closed and MVHR models can be operated either manually or by a solenoid valve. When the supply is closed, the compressed air is exhausted from the circuit behind the valve. Both positions of the manually operated model can be locked (padlock not included), which will contribute to safety during maintenance or adjustment. The valve is designed to be assembled with other air conditioning elements (using the couplings) or can be used separately. Size 300 is suitable for all elements of the MA\*\*300 series, size 400 is then for MA\*\*401 and MA\*\*403.



Port thread	MVHR300		MVHR400		
	G1/4"	G3/8"	G1/4"	G3/8"	G1/2"
Valve type	3/2 (residual pressure release)				
Pressure range [MPa]	manual type: 0,1 to 1,0, solenoid type: 0,15 to 1,0				
Temperature range [°C]	-5 to +60				
Voltage [V]	24V AC ±10%, 230V AC ±10%, 24V DC ±10%				
Power consumption [W, VA]	6/4,9VA for AC (inrush/hold), 2W for DC voltage				
Weight [kg]	manual type: 0,32, solenoid type: 0,40		manual type: 0,31, solenoid type: 0,38		
Supply contain	without lock, without connection plate, bracket (optionally - see order code)				

## Order codes

PMVHR 3 S 10A A220 L B

Series		Control		Voltage		Connector		Accessories	
3	series 300		manual type	D24	24 V DC ± 10%		standard		without
4	series 401, 403	S	solenoid type	A220	230 V AC ± 10%, 50-60 Hz	L	with LED	B	bracket
				A24	24 V AC ± 10%, 50-60 Hz				

Note: EEx m II T4 coil is available on request

Port size	
8A	G1/4"
10A	G3/8"
15A*	G1/2"

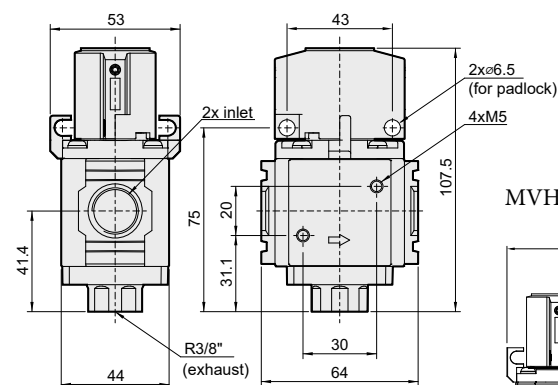
)\* Only for 401,403



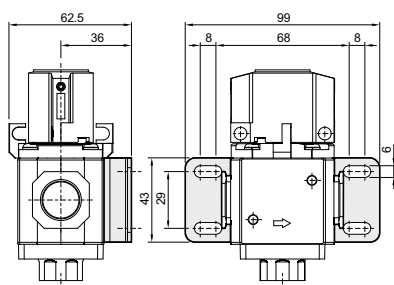
Valve can be used standalone, or should be attached using connection plate order code PMACP300-C8 or PMACP300-C10 with other units of series 300, or attached using connection plate order code PMA-CP401-C with other units of series 401.

## Dimensions

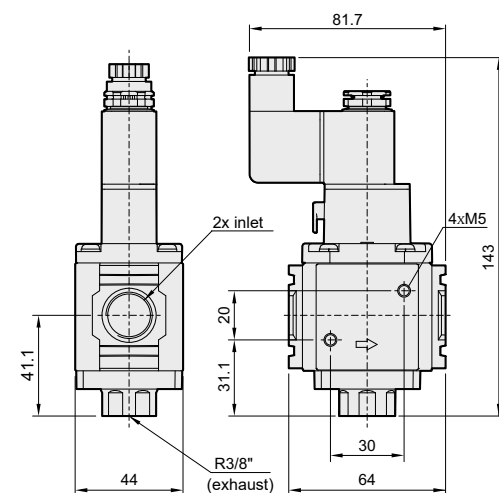
MVHRx00 - manual type



MVHRx00 - bracket dimensions

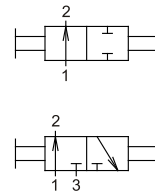


MVHRx00S - solenoid type





Shutoff valve is an easy and inexpensive way to add shutoff capability to an FRL unit. The valve includes a lockout feature designed for a padlock (padlock is not included in delivery) to prevent unauthorised downstream pressurization during maintenance. The shutoff valve is usually mounted first in the assembly of air preparation units. Valve can be used standalone or assembled with other air preparation units (the same series) using connection plates (ordered separately).



Port thread	MVHT300		MVHT401		
	G1/4"	G3/8"	G1/4"	G3/8"	G1/2"
Valve type	2/2 or 3/2 (residual pressure release)				
Pressure range [MPa]	0 to 1,5				
Temperature range [°C]	-5 to +60				
Weight [kg]	0,23		0,22		
Supply contain	without lock, without connection plate				

## Order codes

PMVHT 401 – 3H – 8A

Series	
300	series 300
401	series 401

Valve type	
3H	3/2 residual pressure release
2H	2/2

Port size	
8A	G1/4"
10A	G3/8"
15A*	G1/2"

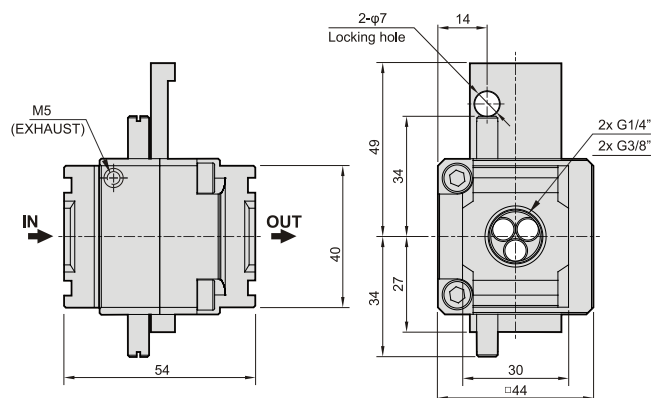
\*) For series 401 only



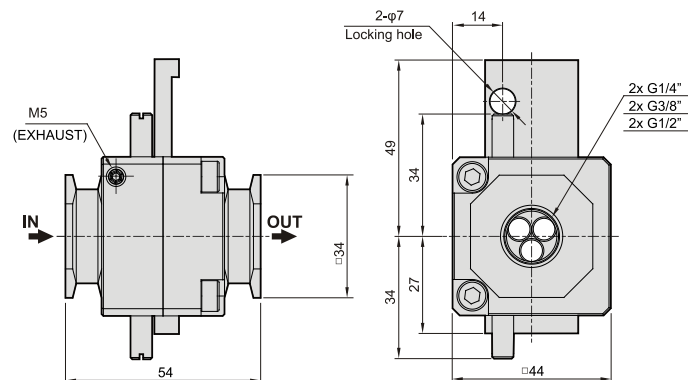
Valve can be used standalone, or should be attached using connection plate (order code PMACP300-C8, PMACP300-C10 or PMACP401-C) with other units of series 300 or 401.

## Dimensions

MVHT300



MVHT401



### Connection plate for FRL units

Order codes	For series
PMACP300-C8	MA*300
PMACP300-C10	MA*300

Order codes	For series
PMACP401-C	MA*401
PMACP402-C	MA*402
PMACP501-C	MA*501

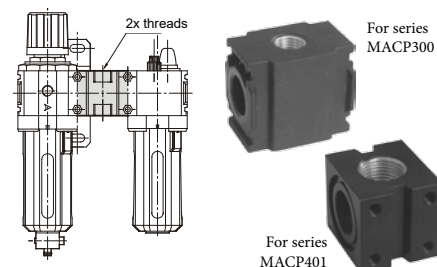
Connection plate is used, for assembling of two or more standalone units of the same series, for example filter and lubricator or filter and coalescing filter.



### Diverter blocks for FRL units

Order codes	For series	Thread
PMACP300-T8	MACP300	2x G1/4"
PMACP300-T10	MACP300	2x G3/8"
PMACP401-T8	MACP401	2x G1/4"
PMACP401-T10	MACP401	2x G3/8"

Order codes	For series	Thread
PMACP401-T15	MACP401	2x G1/2"
PMACP501-T8	MACP501	2x G1/4"
PMACP501-T10	MACP501	2x G3/8"
PMACP501-T15	MACP501	2x G1/2"



### Spare bowls

For filters	Order codes	
	with semiautomatic drain	with automatic drain
MACP300, MAF300, MAFR300	PMACP300-S	PMACP300-D
MACP401, MAF401, MAFR401	PMACP401-S	PMACP401-D
MACP402, MAF402, MAFR402	PMACP402-S	PMACP402-D
MACP501, MAF501, MAFR501	PMACP501-S*	PMACP501-D*
MACC300	PMACP300-S	—

For lubricators	Order codes
MACP300, MAL300	PMACP300-L
MACP401, MAL401	PMACP401-L
MACP402, MAL402	PMACP402-L
MACP501, MAL501	PMACP501-L*
MACC300	PMACC300-L

\*) Note for 501 series: mentioned code is for polycarbonate bowl. For nylon bowl add „N“ at the end of the code and for metal bowl add „M“ at the end of the code.

### Spare filter elements

For filters	Order codes			
	5 µm	40 µm	0,3 µm	0,01 µm
MACP300, MAF300, MAFR300	PMACP300-FE5	PMACP300-FE40	—	—
MACP401, MAF401, MAFR401	PMACP401-FE5	PMACP401-FE40	PMACP401-FE0,3	PMACP401-FE0,01
MACP402, MAF402, MAFR402	PMACP402-FE5	PMACP402-FE40	—	—
MACP501, MAF501, MAFR501	—	PMACP501-FE40	—	—
MACC300	PMACP300-FE5	PMACP300-FE40	—	—

### Valve with digital condensation removal timer

Valve for automatic condensation removal is used for draining of pressure tank or big filters. Main advantages are standard voltages 24 V DC and 230 V AC, enclosure IP65, compact design a digital timer with easy operation.

#### Order codes

PMBS 03 3N3 D24 T

Thread		Voltage	
03	G1/8"	D24	24 V DC ± 8%
06	G1/4"	A220	230 V AC ± 8%, 50-60 Hz



#### Time adjustment:

- press SET for 2 seconds
- press ADJ to adjust ON time
- press SET
- press ADJ to adjust OFF time seconds
- press SET
- press ADJ to adjust OFF time minutes
- press SET

Note: for manual override press both keys for 2 seconds.

Order code	Thread	Max. pressure [MPa] at		Orifice [mm <sup>2</sup> ]	Cv	Time ranges	Power input [V, VA]	Temperature range [°C]
		24V DC	230V AC					
PMBS 03 ...	G1/8"	0 to 1,2	0 to 1,6	1,6	0,09	On: 0 to 59 seconds Off: 0 to 99 minutes	5,1 for 24V DC 8,5 for 230V AC	-15 to +50
PMBS 06 ...	G1/4"	0 to 1,2	0 to 1,6	1,6	0,09			

## Gauges

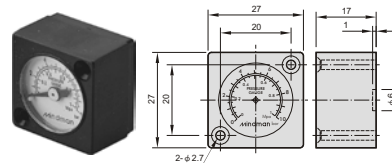
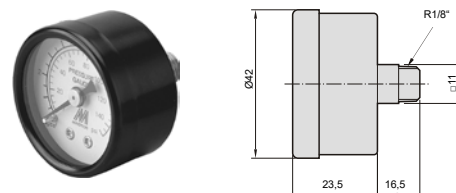
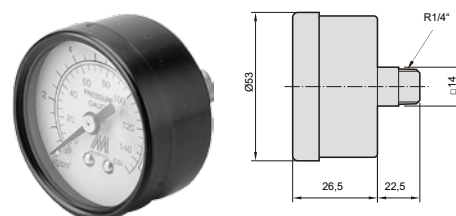
Type	PPG-20	PPG-40	PPG-50
Scale	bar / MPa	kg/cm <sup>2</sup> / PSI	kg/cm <sup>2</sup> / PSI
Range [kg/cm <sup>2</sup> ]	0 to 10	0 to 10; 0 to 1 0 to 3; 0 to 5	0 to 10 0 to 5
Diameter [mm]	—	40	50
Accuracy	JIS class 4		
Temperature range [°C]	-5 to +60		

Suitable for series	PPG-20	PPG-40	PPG-50
MACP300, MAR200, MAR300, MAFR300	✗	✓	✗
MACP401, MAR401, MAFR401	✓	✗	✗
MACP402, MAR402, MAFR402	✗	✗	✓
MACP500, MAR500, MAFR500	✗	✗	✗
MACC300	✗	✓	✗

### Order codes

**PPG - 40 - 5K**

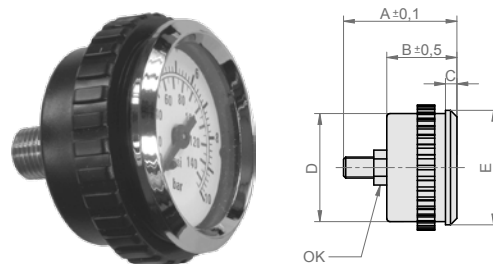
Type		Range	
20	PPG-20		0 to 10 (1,0 MPa) (standard)
40	PPG-40		
50	PPG-50		
		-1K*	0 to 1 (0,1 MPa)
		-3K*	0 to 3 (0,3 MPa)
		-5K**	0 to 5 (0,5 MPa)

**PPG-20**

**PPG-40**

**PPG-50**


\* ) for PPG-40 only  
\*\* ) for PPG-40 and PPG-50 only

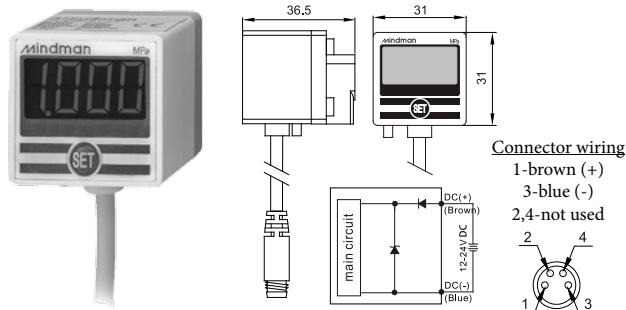
### Gauges for panel mounting

Order codes	D - diam.	Thread	Range [bar]	A	B	C	E	OK
2980 0000 0400 0005	40	G1/8"	0 to 10	49,5	32	5	43	14
2980 0000 0600 0003	50	G1/4"	0 to 10	52,5	32,5	5,3	55	14
2980 0000 0600 0004	50	G1/4"	0 to 16	52,5	32,5	5,3	55	14
2980 0000 0600 0005	63	G1/4"	0 to 10	51,5	31,7	5	68	14
2980 0000 0600 0006	63	G1/4"	0 to 16	51,5	31,7	5	68	14



### Digital gauges

Description	Order codes
Digital pressure gauge MP23, G1/8", cable 2m	PMP23P-F3
Digital pressure gauge MP23, G1/8", 4-pin connector M8x1	PMP23P-F3-QD
Bracket BT-1	PMP25-BT1
Bracket BT-2	PMP25-BT2
Panel mounting adapter with protective cover PA	PMP25-PA



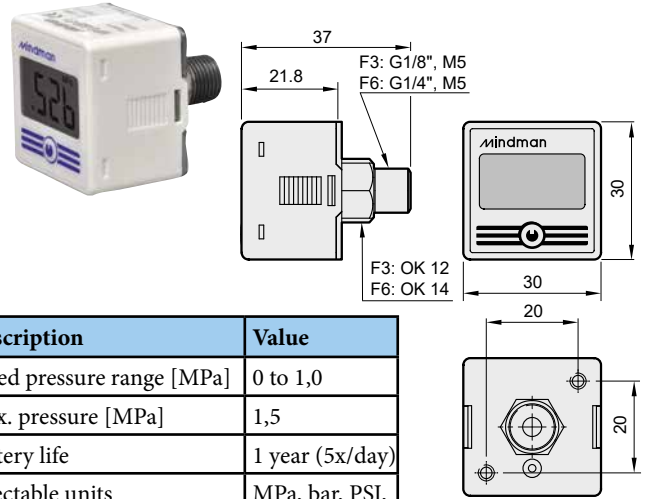
Description	Value
Working medium	air, non-corrosive gases, incombustible gases
Supply voltage [V]	12 to 24, DC (± 10%)
Display	3 1/2 digits, red LED, sampling rate 5x per second
Accuracy at 25 °C	≤±2% of full span, ±1 digit
Protection	short circuit-integrated, enclosure IP40
Ambient temp. range [°C]	0 to +50 (no dew condensation or icing)

Description	Value
Rated pressure range [MPa]	-0,1 to 1,0
Max. pressure [MPa]	1,5
Current consumption [mA]	up to 55
Selectable units	MPa, bar, PSI, kgf/cm <sup>2</sup>
Ambient humidity [%]	35 to 85
Weight [kg]	0,102

**Note:**  
- See page 3-8 for cables with connector.  
- See page 8-17 for dimensions of bracket and panel adapter (they are the same as for pressure switch MP25).  
- Gauge has 2 inlet ports, bottom and back, plug is attached.

## Digital battery pressure gauge

Description	Order code
Digital pressure gauge MPG60, external G1/8", internal M5	PMPG60PL-F3
Digital pressure gauge MPG60, external G1/4", internal M5	PMPG60PL-F6
Bracket BT-5	PMP-A5
Bracket BT-6	PMP-A6
Panel mounting adapter with protective cover PA-D	PMP-C2



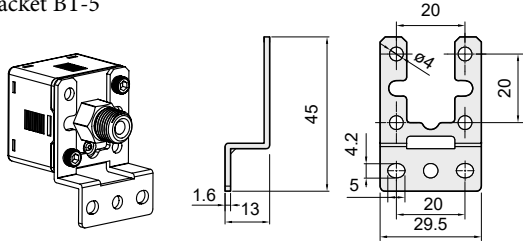
Description	Value
Working medium	air, non-corrosive gases, incombustible gases
Battery	CR2032 lithium, replaceable
Display	3 1/2 digits, LCD, sampling 2x per second, back light
Accuracy at 25 °C	±2% F. S., ±1 digit
Enclosure	IP65 (air tube must be installed)
Ambient temperature range [°C]	0 to +50 (no dew condensation or icing)

Description	Value
Rated pressure range [MPa]	0 to 1,0
Max. pressure [MPa]	1,5
Battery life	1 year (5x/day)
Selectable units	MPa, bar, PSI, kgf/cm <sup>2</sup>
Ambient humidity [%]	35 to 85
Weight [kg]	0,04

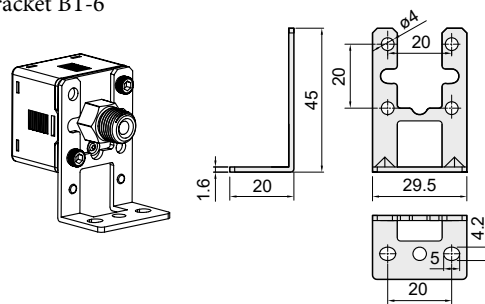


The gauge display is off by default. If you want to display the current pressure, just press the button and the measured value will be displayed for 60 seconds. Then the display goes off again.

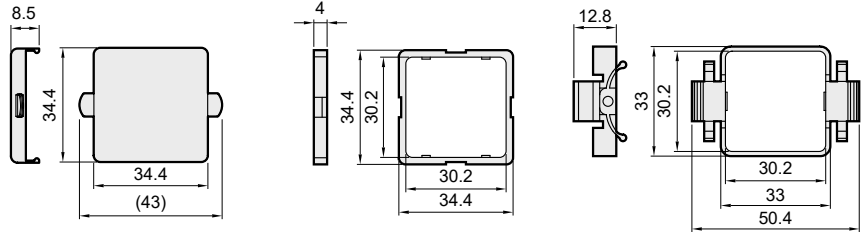
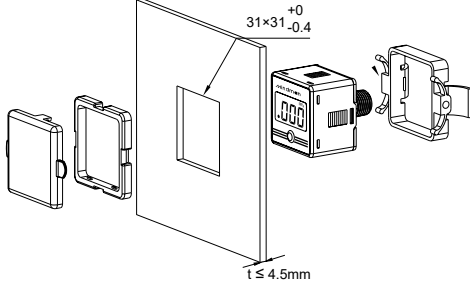
Bracket BT-5



Bracket BT-6

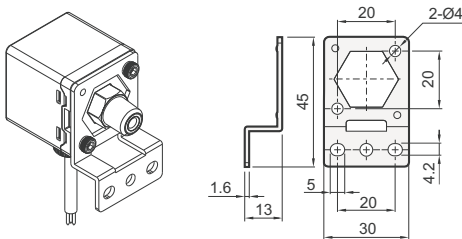


Panel mounting adapter with protective cover PA-D

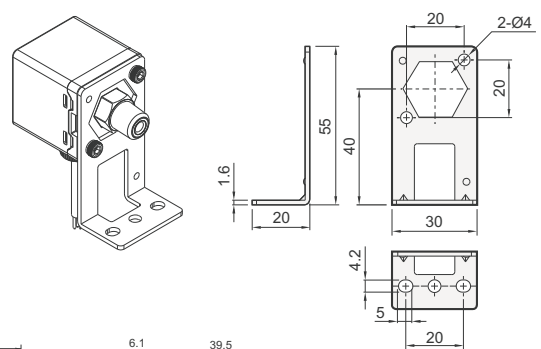


## Accessories for digital pressure switch MP45 (see page 8-23)

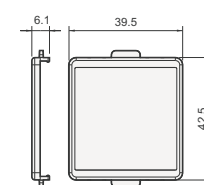
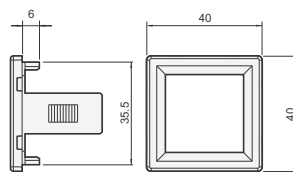
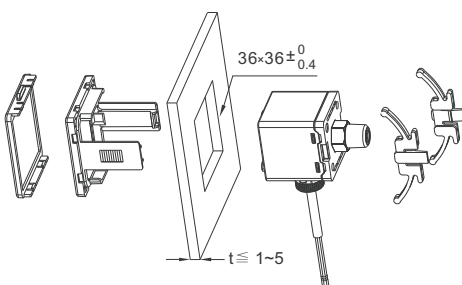
Bracket BT-10



Bracket BT-11



Panel mounting adapter with protective cover PA-F



Dimensions of panel mounting adapter without protective cover. It is necessary to create square hole with dimensions 36x36 mm. Max. panel thickness is 5 mm.

Dimensions of protective cover

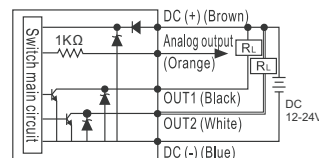


**Digital pressure switch, type MP45 with threads G1/8" and M5**

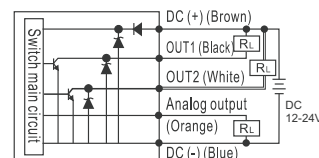
Description	Value
Rated pressure range [MPa]	0.00 to 1,00
Thread	G1/8" external and M5 internal
Max. pressure [MPa]	1,5
Working medium	air, non-corrosive gases, incombustible gases
Supply voltage [V]	12 to 24, DC ( $\pm 10\%$ )
Current consumption [mA]	$\leq 40$ (no load)
Comparative output	2x PNP/NPN output, current max. 125 mA, voltage max. 24V DC, residual voltage 1,5V
Comparative output indication	orange indicator for both outputs
Analog voltage output	output voltage 1 to 5 V $\pm 2,5\%$ , linearity $\pm 1\%$ F.S., output impedance approx. 1 k $\Omega$
Analog current output	output current 4 to 20 mA $\pm 2,5\%$ , linearity $\pm 1\%$ F.S., load impedance: min. 50 $\Omega$ , max. 250 $\Omega$ at 12 V, max. 600 $\Omega$ at 24 V
Units and resolution	MPa: 0,001, bar/ kgf/cm <sup>2</sup> : 0,01, PSI: 0,1
Hysteresis	adjustable, 1 digit or fixed in comparator mode
Repeatability	$\pm 0,2\%$ F.S. $\pm 1$ digit
Indicator accuracy	$\pm 2\%$ F.S. $\pm 1$ digit (at 25 $\pm 3$ °C)
Temperature characteristic	$\pm 2,5\%$ F.S. of detected pressure (25 °C) at range 0 - 50 °C
Response time [ms]	adjustable 2,5 to 1500 in 7 steps
Short circuit protection	integrated
Display	3 1/2 digits, 7 segments, red/green, sampling rate 5x per second
Enclosure	IP65
Ambient temperature range [°C]	0 to +50 (no condensation or freezing), storage: -10 to +60
Ambient humidity [%]	35 to 85
Cable	5-wire, section 0,15 mm <sup>2</sup> , length 2m, removable
Weight [kg]	0,086


**Wiring diagrams**

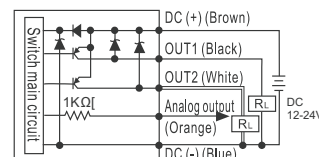
Output 010: 2x NPN + 1 analog output 1-5V



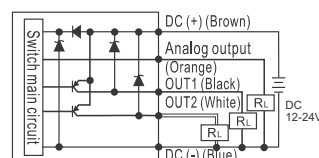
Output 011: 2x NPN + 1 analog output 4-20mA



Output 030: 2x PNP + 1 analog output 1-5V



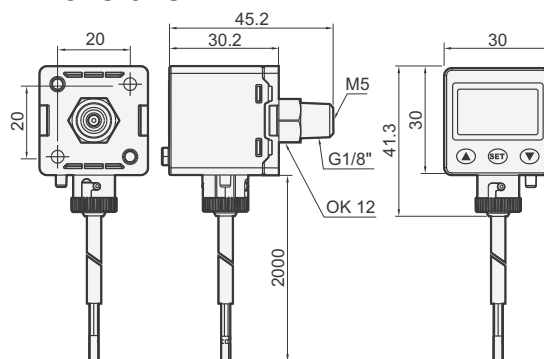
Output 031: 2x PNP + 1 analog output 4-20mA


**Order codes**
**PMP45P- 030 -F3**

Output	
010	2x NPN + 1 analog output 1-5V
011	2x NPN + 1 analog output 4-20mA
030	2x PNP + 1 analog output 1-5V
031	2x PNP + 1 analog output 4-20mA

**Order codes of accessories**

Description	Order codes
Bracket BT-10	PMP-A10
Bracket BT-11	PMP-A11
Panel mounting adapter with protective cover PA-F	PMP-C3

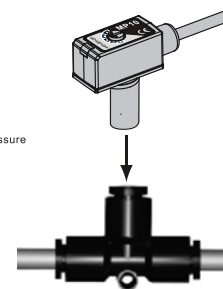
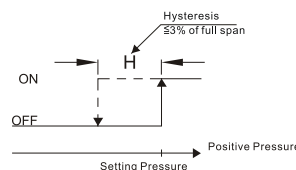
**Dimensions**

**Note:**

Dimensions of brackets and panel mounting adapter see page 8-22



Electronic pressure switch, type MP10 push-in, or with thread G1/8"

Description	Value
Rated pressure range [MPa]	0.0 to 0,6
Max. pressure [MPa]	1,5
Working medium	air, non-corrosive gases, incombustible gases
Supply voltage [V]	10,8 to 30, DC
Max. load current [mA]	80
Current consumption [mA]	10
Internal voltage drop [V]	0,8
Repeatability	≤±1% of full span
Hysteresis	max. 3% of full span
Response time [ms]	approx. 1
Short circuit protection	integrated
Indicator	red LED
Enclosure	IP40
Cable	3 wires (0,18 mm <sup>2</sup> ), Ø2,6 mm
Ambient temperature range [°C]	0 to +50 (no dew condensation or icing)
Ambient humidity [%]	35 to 85
Weight [kg]	0,050

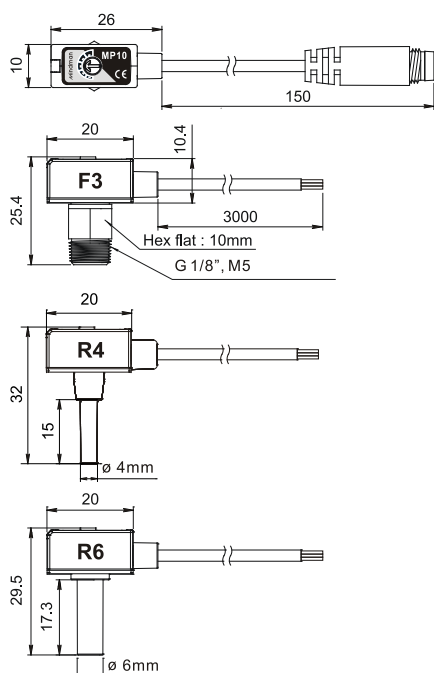


Order codes

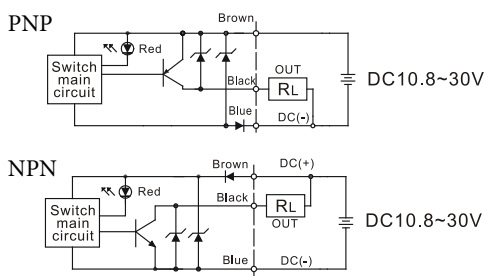
PMP10P- 04 - F3 -C

Output		Connection		Wiring	
04	PNP	F3	G1/8" outer / M5 inner		cable 3 m
02	NPN	R4	push-in Ø4		-C 3-pin connector M8x1
		R6	push-in Ø6		

Dimensions

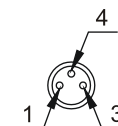


Connection



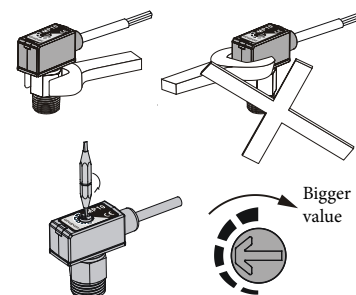
Note:  
See page 3-3 for cables with connector

Connector wiring  
1-brown (+)  
3-blue (-)  
4-black (output)



Installation, setting

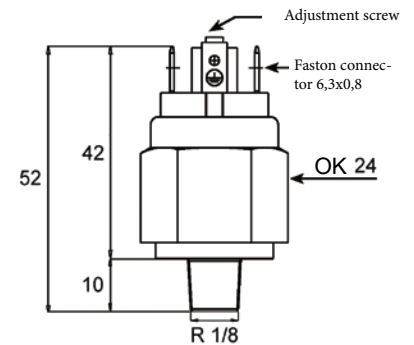
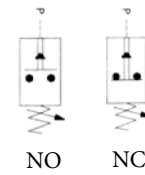
- When mounting, always use the wrench on the metallic area near the pressure port. Never apply a wrench to the plastic body, it will damage the sensor
- Use the pressure setting trimmer to set „ON“ pressure. Rotate clockwise to increase pressure setpoint. Rotate counter-clockwise to decrease pressure setpoint



## Pressure switch PS31

Description	Value
Housing material	brass (u NPS3120234 passivated steel)
Diaphragm	FKM (Viton®)
Working medium	air, water, mineral hydraulic oil and other
Electric contacts	silver plated
Max. switched voltage [V]	250, 50-60 Hz
Max. switched current [A]	2 for ohmic load, 0,5 for inductive load
Max. fluid temperature [°C]	120
Anticipated min. cycles	1 million
Enclosure rating	IP00 without connector IP54 resp. IP65 with connector
Weight [kg]	0,07

Order codes type NO - normally open	Order codes type NC - normally closed	Thread	Pressure [MPa]	Tolerance at 20 °C [MPa]	Max. static pressure [MPa]
NPS3121231	NPS3111231	R1/8"	0,01 to 0,10	± 0,01	8,0
NPS3121232	NPS3111232	R1/8"	0,1 to 0,5	± 0,03	8,0
NPS3121233	NPS3111233	R1/8"	0,1 to 1,6	± 0,05	8,0
NPS3120234	NPS3110234	R1/8"	2,0 to 5,0	± 0,2	30,0



### Connector for switch PS31

Order codes	Enclosure rating
NPCPS3165	IP65



### Protection cap for switch PS31

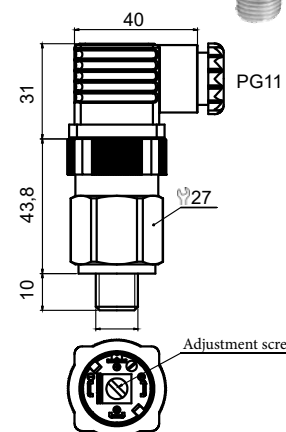
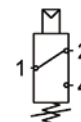
Order codes	Enclosure rating
NPCPS3154	IP54



## Pressure switch 27N with hysteresis

Description	Value
Housing material	brass, zinc plated steel for switch with pressure range 1-5 MPa
Diaphragm	FKM
Working medium	air, water
Electric contacts	silver plated
Max. switched voltage [V]	250, 50-60 Hz
Max. switched current [A]	6 for ohmic load, 2 for inductive load
Max. fluid temperature [°C]	100
Anticipated min. cycles	1 million
Enclosure rating	IP00 without connector, IP65 with connector
Hysteresis	30% of setting value
Weight [kg]	0,13

Order codes	Thread	Pressure [MPa]	Tolerance at 20 °C [MPa]	Max. static pressure [MPa]
N27N21121	R1/8"	0,1 to 0,5	± 0,03	8,0
N27N21122	R1/8"	0,1 to 1,0	± 0,05	8,0
N27N20123	R1/8"	1,0 to 5,0	± 0,2	30,0



**i** Supply contain connector.

## Pneumatic oil

This oil is used for lubrication of compressed air in pneumatic systems for fail-safe operation. It is specially blended oil with good features such as foamless, no aggression to sealing, balanced viscosity gives you an advantage. Oil is atomized into the compressed air in lubricators.

Temperature range: -20°C to +80°C

Order codes	Package volume
2995 0101 0000 0000	1 liter
2995 0102 0000 0000	2 liters
2995 0103 0000 0000	3 liters
2995 0105 0000 0000	5 liters
2995 0110 0000 0000	10 liters



## Grease SAP-FML2A for pneumatic components

This grease is used for renovation or creation of permanent fat filling with very long lifetime for using with non-lubricated air. All pneumatic items are greased with this grease by default. Grease has very good water resistance, good stability, excellent mechanical stability and is oxidation resistant.

Temperature range: -30°C to +120°C

Order codes	Package content
2995 1004 0000 0000	400 g



## Grease for pneumatic components for high temperature usage

This grease is used for renovation or creation of permanent fat filling with very long lifetime for using in high temperatures up to 200°C.

Temperature range: -40°C to +200°C

Order codes	Package content
2995 1104 0000 0000	400 g
2995 1110 0000 0000	1000 g



## Grease with PTFE-Teflon for guides

It is plastic grease filled with PTFE-Teflon, which is used for greasing of various sliding and guiding surfaces on stressed places of machines. This grease is not used for greasing of internal parts of pneumatic items. For lubricating of internal parts of pneumatic components please use pneumatic oil or grease for pneumatic components.

Temperature range: -30°C to +140°C

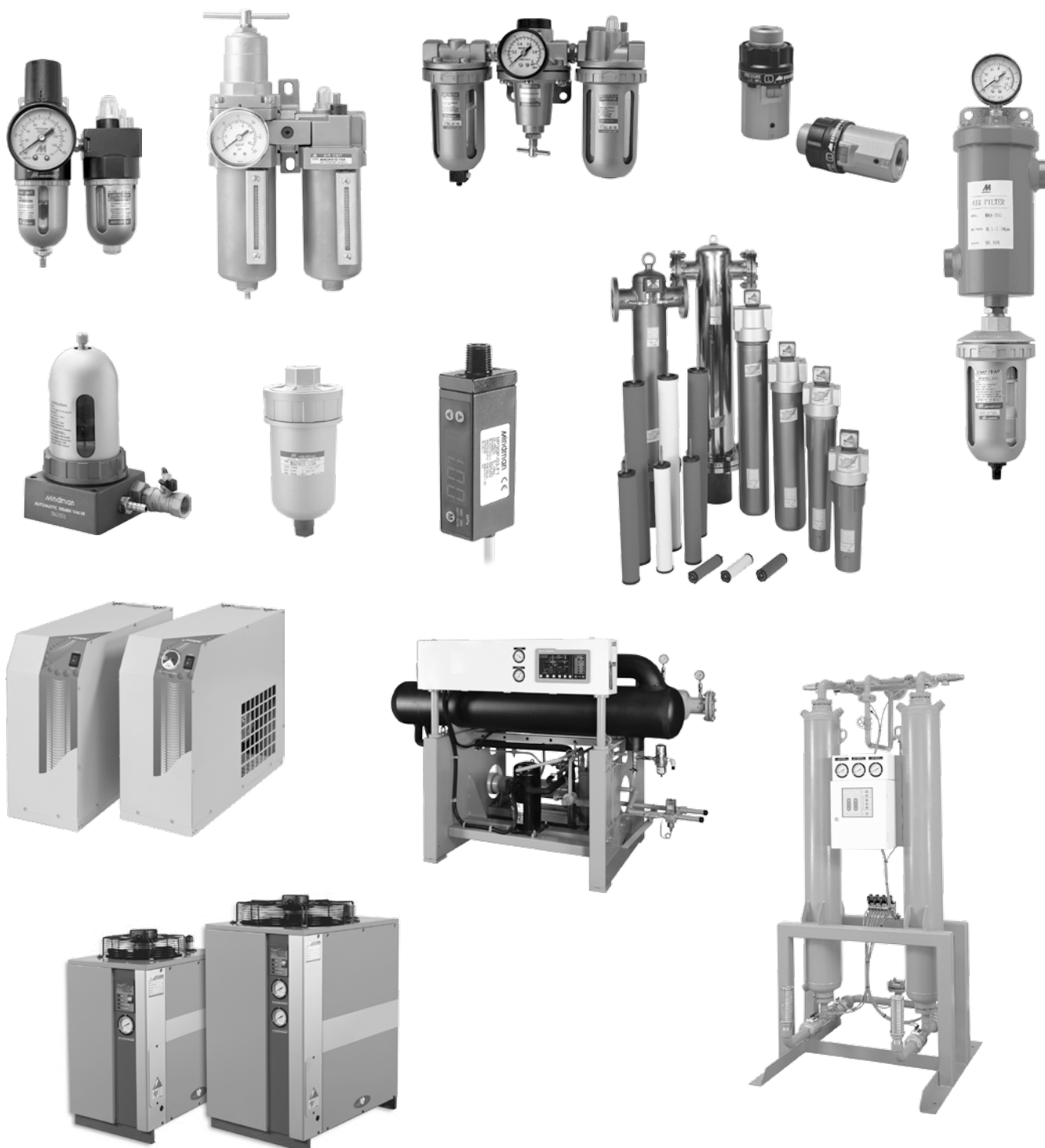
Order codes	Package content
2995 5004 0000 0000	400 g

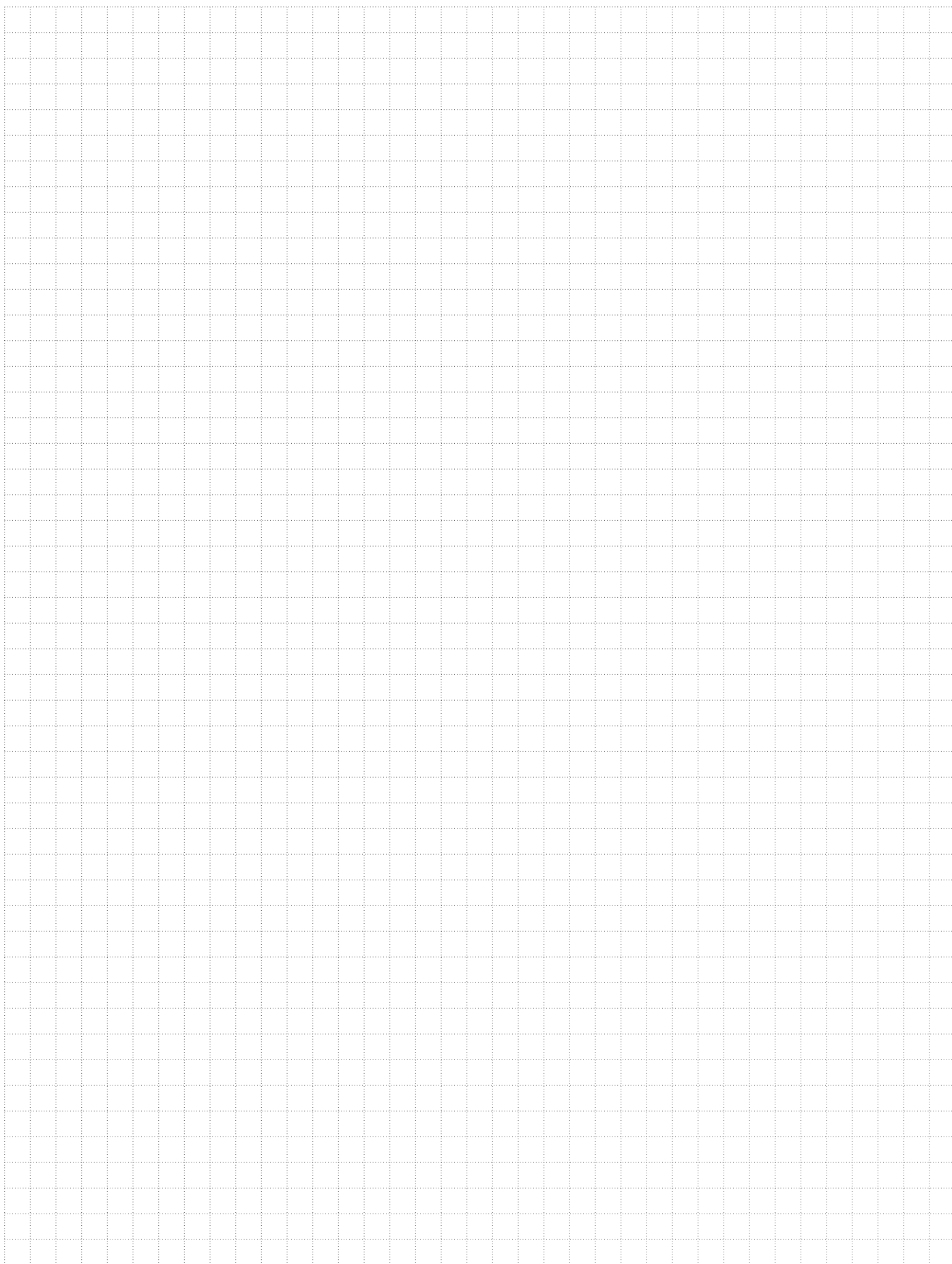








We can offer more units for air preparation, than this catalogue contain. There are units which aren't used so often or units for special purposes. For example:

- stainless steel units
- pilot operated regulators G1/4" to G2 1/2"
- precision regulators
- precision regulators with high flow capacity
- pilot operated regulators
- electropneumatic proportional regulators
- full range of coalescing filters to get cleanness up to 99,99% and to remove moisture
- air dryers

Please ask our technical dept. for details of for catalogues.





	Hydraulic shock absorber series NC ..... 9-2 <i>M8 to M12</i>
	Hydraulic shock absorber series NC ..... 9-3 <i>M14 to M24</i>
	Hydraulic shock absorber series NC ..... 9-4 <i>M32 and M48</i>
	Hydraulic shock absorber series NC ..... 9-5 <i>M62</i>
	Accessories for hydraulic shock absorbers series NC ..... 9-6 <i>nut, flange, adapter for side forces, bellow, stop limit nut</i>
	Hydraulic speed control series NU ..... 9-7 <i>stroke 13 to 150</i>



# HYDRAULIC SHOCK ABSORBER SERIES NC - M8 TO M12



Series	NC-E	NC-S	NC-P
Type	adjustable	self-compensating	self-compensating
Characteristics	linear	linear	progressive
Impact speed [ms <sup>-1</sup> ]	0,2 to 3,5	0,2 to 5,0	0,2 to 5,0
Temperature range [°C]	-20 to +80		

Type	0,1	0,15	0,2
Spring return force [N]	2,5 to 6	3,6 to 8	3,5 to 7
Weight [kg]	0,01	0,02	0,04
Max. tightening torque [Nm]	2	6	10

## Order codes

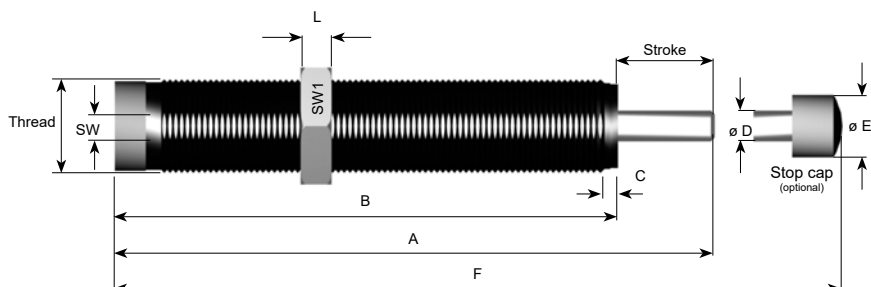
Order code consist of **series description**, **type** (1. part - see table) and **hardness selection** (2. part - see table), eventually indication of shock absorber with stop cap. If you need the shock absorber with stop cap, add „-A“ after complete order code. The stop cap couldn't be mounted additionally as accessories, because by mounting of stop cap the stroke of shock absorber will be smaller. That is why the stop cap must be ordered together with shock absorber to ensure that piston rod will be extended for stop cap.

Example 1: self-compensating progressive shock absorber M10x1 type 0,15 with hardness 3 has order code NC-P0,15-3

Example 2: adjustable shock absorber M12x1 type 0,2 with stop cap has order code NC-E0,2-1-A

Order code (1. part)	Thread	Stroke	Energy absorption			Effective mass - hardness / order code (2. part)			
			constant load [Nm/stroke]	emergency load [Nm/stroke]	total energy [Nm/hod]	...-1 (soft)	...-2 (medium)	...-3 (hard)	...-4 (very hard)
NC-E0,1-...	M8x1	7	4	6	14 000	0,65 to 50	—	—	—
NC-S0,1-...	M8x1	7	4	6	14 400	0,65 to 2	1,3 to 5,5	1,7 to 50	—
NC-P0,1-...	M8x1	7	4	6	14 400	0,3 to 0,9	0,65 to 2,0	1,8 to 8	—
NC-E0,15-...	M10x1	10	15	22,5	24 000	1 to 500	—	—	—
NC-S0,15-...	M10x1	10	15	22,5	24 000	1,6 to 7,5	6,1 to 71	61 to 252	232 to 750
NC-P0,15-...	M10x1	10	15	22,5	24 000	1 to 2,2	2 to 7,5	6,1 to 71	—
NC-E0,2-...	M12x1	12	22	33	35 200	9 to 800	—	—	—
NC-P0,2-...	M12x1	12	22	33	35 200	2 to 11	10 to 107	104 to 360	343 to 1100
NC-S0,2-...	M12x1	12	22	33	35 200	1,5 to 2,8	2 to 21	17 to 92	—

## Dimensions



Type	Thread	A	A1	B	C	D	E	F	F1	K	L	SW	SW1
0,1	M8x1	51	56	44	2,5	2,5	6	57	61,5	3,5	3	3	11
0,15	M10x1	59,5	62	49,5	2,5	3	6	66	68,5	3,5	3	3	13
0,2	M12x1	77	81,5	65	2,5	4	10	85	89,5	3,5	4	3	14





Series	NC-E	NC-S	NC-P
Type	adjustable	self-compensating	self-compensating
Characteristics	linear	linear	progressive
Impact speed [ms <sup>-1</sup> ]	0,08 to 6,0	0,08 to 6,0	0,3 to 8,0
Temperature range [°C]	-20 to +80		

Type	0,25	0,35	0,5x19	1,0	1,0x40
Spring return force [N]	13 to 23	13 to 23	12 to 23	15 to 31	11 to 20
Weight [kg]	0,05	0,07	0,14	0,29	0,39
Max. tightening torque [Nm]	20	20	25	30	30

## Order codes

Order code consist of **series description**, **type** (1. part - see table) and **hardness selection** (2. part - see table), eventually indication of shock absorber with stop cap. If you need the shock absorber with stop cap, add „-A“ after complete order code. The stop cap couldn't be mounted additionally as accessories, because by mounting of stop cap the stroke of shock absorber will be smaller. That is why the stop cap must be ordered together with shock absorber to ensure that piston rod will be extended for stop cap.

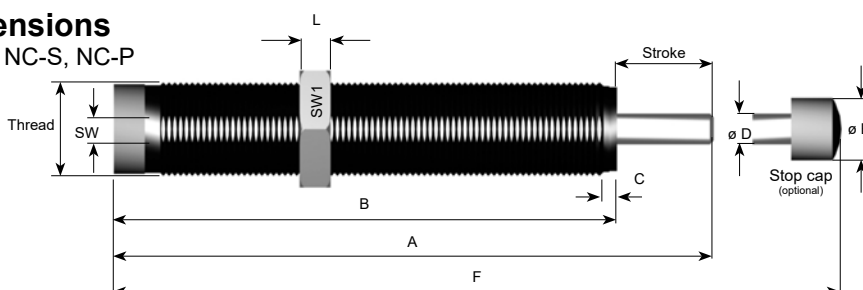
Example 1: self-compensating progressive shock absorber M16x1,5 type 0,35 with hardness 3 has order code NC-P0,35-3

Example 2: adjustable shock absorber M14x1 type 0,25 with stop cap has order code NC-E0,25-1-A

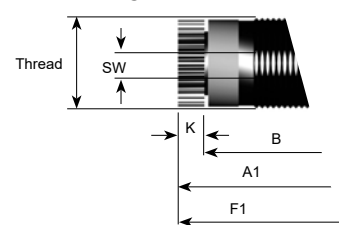
Order code (1. part)	Thread	Stroke	Energy absorption			Effective mass - hardness / order code (2. part)				
			constant load [Nm/stroke]	emergency load [Nm/stroke]	total energy [Nm/hod]	...-0 (very soft)	...-1 (soft)	...-2 (medium)	...-3 (hard)	...-4 (very hard)
NC-E0,25-...	M14x1	14	30	48	50 000	—	1,6 to 1500	—	—	—
NC-S0,25-...	M14x1	14	30	48	50 000	0,9 to 8	3,5 to 17	9,9 to 76	62 to 252	250 to 950
NC-P0,25-...	M14x1	14	30	48	50 000	—	0,8 to 3,7	3 to 26	21 to 165	—
NC-E0,35-...	M16x1	14	35	50	52 500	—	6,5 to 1750	—	—	—
NC-S0,35-...	M16x1	14	35	50	52 500	1,9 to 4,5	4 to 25	22 to 90	85 to 428	420 to 1320
NC-P0,35-...	M16x1	14	35	50	52 500	—	1,1 to 6,4	5 to 28	25 to 280	—
NC-E0,5x19-...	M20x1	19	100	160	76 500	—	9 to 4500	—	—	—
NC-S0,5x19-...	M20x1	19	100	160	76 500	2,6 to 10,6	10 to 86	40 to 209	170 to 800	680 to 4050
NC-P0,5x19-...	M20x1	19	100	160	76 500	—	2,6 to 12,5	10 to 89	69 to 555	—
NC-E1,0-...	M24x1,5	25	220	352	105 600	—	22 to 11000	—	—	—
NC-S1,0-...	M24x1,5	25	220	352	105 600	6 to 29	24 to 120	70 to 460	440 to 2050	1760 to 10800
NC-P1,0-...	M24x1,5	25	220	352	105 600	—	6 to 27,5	21 to 195	150 to 1200	—
NC-E1,0x40-...	M24x1,5	40	390	624	175 600	—	38 to 18000	—	—	—
NC-S1,0x40-...	M24x1,5	40	390	624	175 600	15 to 103	44 to 216	135 to 962	780 to 3600	3100 to 19500
NC-P1,0x40-...	M24x1,5	40	390	624	175 600	—	10 to 48	39 to 340	270 to 2150	—

## Dimensions

Series NC-S, NC-P



Series NC-E



Type	Thread	A	A1	B	C	D	E	F	F1	K	L	SW	SW1
0,25	M14x1	92	97	78	2,5	4	10	100	105	4,5	5	13	17
0,35	M16x1	92	97	78	2,5	4	10	100	105	4,5	6	14	19
0,5x19	M20x1	107	113	88	2,5	6	12	117	123	6	6	18	24
1,0	M24x1,5	133	141	108	3,5	8	16	146	154	8	8	23	30
1,0x40	M24x1,5	170	178	130	3,5	8	16	183	191	8	8	23	30

# HYDRAULIC SHOCK ABSORBER SERIES NC - M32 A M45



Series	NC-E	NC-S	NC-P
Type	adjustable	self-compensating	self-compensating
Characteristics	linear	linear	progressive
Impact speed [ms <sup>-1</sup> ]	0,02 to 6,0	0,1 to 6,0	0,4 to 8,0
Temperature range [°C]	-20 to +80		

Type	1,25x1	1,25x2	1,5x1	1,5x2	1,5x3
Spring return force [N]	30 to 50	23 to 50	50 to 70	35 to 70	35 to 80
Weight [kg]	0,45	0,55	0,95	1,1	1,2
Max. tightening torque [Nm]	40	40	40	40	40

## Order codes

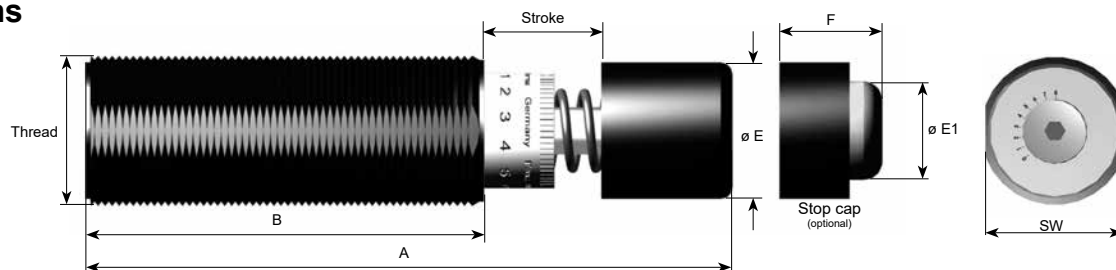
Order code consist of series **description**, **type** (1. part - see table) and **hardness selection** (2. part - see table), eventually indication of shock absorber with stop cap. If you need the shock absorber with stop cap, add „-A“ after complete order code. The stop cap couldn't be mounted additionally as accessories, because by mounting of stop cap the stroke of shock absorber will be smaller. That is why the stop cap must be ordered together with shock absorber to ensure that piston rod will be extended for stop cap.

Example 1: self-compensating progressive shock absorber M45x2 type 1,5x2 with hardness 3 has order code NC-P1,5x2-3

Example 2: adjustable shock absorber M32x1,5 type 1,25x1 with stop cap has order code NC-E1,25x1-1-A

Order code (1. part)	Thread	Stroke	Energy absorption			Effective mass - hardness / order code (2. part)				
			constant load [Nm/stroke]	emergency load [Nm/stroke]	total energy [Nm/hod]	...-0 (very soft)	...-1 (soft)	...-2 (medium)	...-3 (hard)	...-4 (very hard)
NC-E1,25x1-...	M32x1,5	25	300	480	120 000	10 to 100	60 to 2950	600 to 89000	—	—
NC-S1,25x1-...	M32x1,5	25	300	480	120 000	7 to 32	28 to 130	80 to 590	440 to 2050	2000 to 12500
NC-P1,25x1-...	M32x1,5	25	300	480	120 000	—	7 to 35	30 to 260	207 to 1650	—
NC-E1,25x2-...	M32x1,5	50	500	800	150 000	15 to 160	100 to 4000	800 to 120000	—	—
NC-S1,25x2-...	M32x1,5	50	500	800	150 000	13 to 60	56 to 240	160 to 1200	1000 to 4200	4000 to 25000
NC-P1,25x2-...	M32x1,5	50	500	800	150 000	—	7 to 35	30 to 260	207 to 1650	—
NC-E1,5x1-...	M45x2	25	870	1400	261 000	30 to 250	150 to 21000	6200 to 240000	—	—
NC-S1,5x1-...	M45x2	25	870	1400	261 000	24 to 114	98 to 480	280 to 2100	1740 to 8200	6960 to 43500
NC-P1,5x1-...	M45x2	25	870	1400	261 000	—	24 to 108	85 to 770	600 to 4800	—
NC-E1,5x2-...	M45x2	50	1 350	2160	340 000	45 to 430	300 to 26000	10800 to 330000	—	—
NC-S1,5x2-...	M45x2	50	1 350	2160	340 000	35 to 170	160 to 680	440 to 2900	2700 to 12700	10800 to 67500
NC-P1,5x2-...	M45x2	50	1 350	2160	340 000	—	37 to 160	130 to 1200	940 to 7500	—
NC-E1,5x3-...	M45x2	75	2 100	3360	420 000	70 to 670	450 to 27600	16800 to 500000	—	—
NC-S1,5x3-...	M45x2	75	2 100	3360	420 000	40 to 270	240 to 1100	670 to 5000	4200 to 19500	16800 to 105000
NC-P1,5x3-...	M45x2	75	2 100	3360	420 000	—	58 to 260	200 to 1850	1450 to 11600	—

## Dimensions



Type	Thread	A	B	E	E1	F	SW
1,25x1	M32x1.5	138	85	29	21	16	30
1,25x2	M32x1.5	188	110	29	21	16	30
1,5x1	M45x2	148	89	39,6	31	18	41
1,5x2	M45x2	198	114	39,6	31	18	41
1,5x3	M45x2	248	139	39,6	31	18	41



Series	NC-E	NC-S	NC-P
Type	adjustable	self-compensating	self-compensating
Characteristics	linear	linear	progressive
Impact speed [ms <sup>-1</sup> ]	0,02 to 6,0	0,1 to 6,0	0,4 to 8,0
Temperature range [°C]	-20 to +80		

Type	2,0x1	2,0x2	2,0x4	2,0x6
Spring return force [N]	50 to 130	40 to 130	45 to 130	35 to 130
Weight [kg]	2,0	3,0	3,9	4,8
Max. tightening torque [Nm]	40	40	40	40

## Order codes

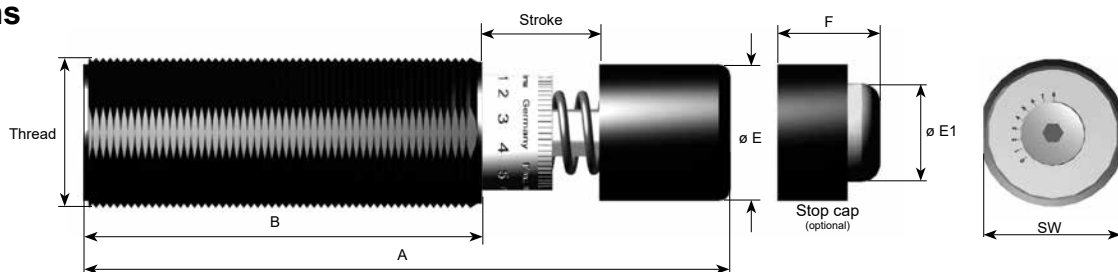
Order code consist of **series description**, **type** (1. part - see table) and **hardness selection** (2. part - see table), eventually indication of shock absorber with stop cap. If you need the shock absorber with stop cap, add „-A“ after complete order code. The stop cap couldn't be mounted additionally as accessories, because by mounting of stop cap the stroke of shock absorber will be smaller. That is why the stop cap must be ordered together with shock absorber to ensure that piston rod will be extended for stop cap.

Example 1: self-compensating progressive shock absorber M62x2 type 2,0x2 with hardness 3 has order code NC-P2,0x2-3

Example 2: adjustable shock absorber M62x2 type 2,0x1 with stop cap has order code NC-E2,0x1-1-A

Order code (1. part)	Thread	Stroke	Energy absorption			Effective mass - hardness / order code (2. part)				
			constant load [Nm/stroke]	emergency load [Nm/stroke]	total energy [Nm/hod]	...-0 (very soft)	...-1 (soft)	...-2 (medium)	...-3 (hard)	...-4 (very hard)
NC-E2,0x1-...	M62x2	25	1 500	2 400	150 000	60 to 480	300 to 41150	12000 to 470000	—	—
NC-S2,0x1-...	M62x2	25	1 500	2 400	150 000	31 to 197	170 to 830	480 to 3700	3000 to 14100	12000 to 75000
NC-P2,0x1-...	M62x2	25	1 500	2 400	150 000	—	31 to 187	150 to 1330	1030 to 8300	—
NC-E2,0x2-...	M62x2	50	2 500	4 000	250 000	80 to 800	500 to 63700	14000 to 600000	—	—
NC-S2,0x2-...	M62x2	50	2 500	4 000	250 000	52 to 330	280 to 1385	800 to 6150	5000 to 23500	20000 to 125000
NC-P2,0x2-...	M62x2	50	2 500	4 000	250 000	—	52 to 310	250 to 2200	1730 to 13800	—
NC-E2,0x4-...	M62x2	100	5 000	8 000	350 000	160 to 1600	1000 to 62500	40000 to 1000000	—	—
NC-S2,0x4-...	M62x2	100	5 000	8 000	350 000	104 to 650	565 to 2770	1600 to 12350	10000 to 47200	40000 to 250000
NC-P2,0x4-...	M62x2	100	5 000	8 000	350 000	—	100 to 625	490 to 4400	3460 to 27700	—
NC-E2,0x6-...	M62x2	150	8 000	12 800	400 000	250 to 2400	1250 to 105000	64000 to 1000000	—	—
NC-S2,0x6-...	M62x2	150	8 000	12 800	400 000	160 to 1050	905 to 4430	2560 to 19750	16000 to 75500	64000 to 400000
NC-P2,0x6-...	M62x2	150	8 000	12 800	400 000	—	160 to 1000	790 to 7100	5530 to 44000	—

## Dimensions



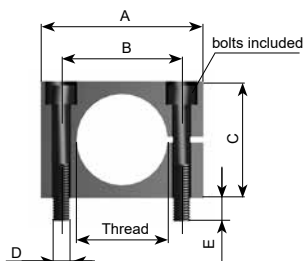
Type	Thread	A	B	E	E1	F	SW
2,0x1	M62x2	186	104	59	46	25	60
2,0x2	M62x2	236	129	59	46	25	60
2,0x4	M62x2	336	179	59	46	25	60
2,0x6	M62x2	453	246	59	46	25	60

## Nut for series NC M8 to M62



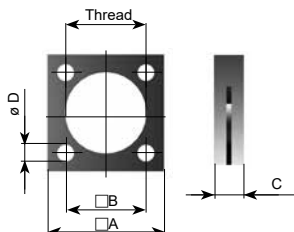
Thread	Order codes	Thread	Order codes	Thread	Order codes	Thread	Order codes	Thread	Order codes
M8x1	NU-14012	M12x1	NU-17012	M16x1	NU-22152	M24x1,5	NU-21232	M45x2	NU-S24012
M10x1	NU-15012	M14x1	NU-21052	M20x1	NU-21152	M32x1,5	NU-S23012	M62x2	NU-S25012

## Rectangular flange for series NC M10 to M24



Order codes	Thread	A	B	C	D	E	Width
NU-15013	M10x1	38	25,4	25	4,5	—	12
NU-17013	M12x1	38	25,4	25	4,5	—	12
NU-S21053	M14x1	32	20	20	M5	5	12
NU-S22153	M16x1	40	28	25	M6	6	20
NU-S21153	M20x1	40	28	25	M6	6	20
NU-S21233	M24x1,5	46	33	32	M6	6	25

## Square flange for series NC M32 to M62



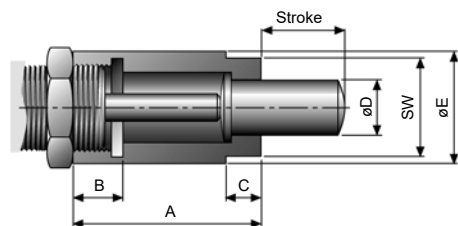
Order codes	Thread	A	B	C	D
NU-S23014	M32x1,5	45	31	12	6,6
NU-S24014	M45x2	55	43	12	9
NU-S25014	M62x2	80	60	20	11

## Bellow for series NC M32 to M62



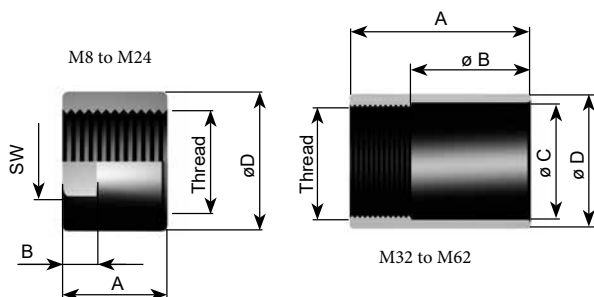
Order codes	Thread	A
NU-S23117	M32x1,5	65
NU-S24117	M45x2	80
NU-S25117	M62x2	90

## Adapter for side forces for series NC M10 to M24



Order codes	Thread	A	B	C	D	E	SW
NU-15319	M10x1	20,5	7	5	7	14	13
NU-17019	M12x1	23	7	5	9	15	14
NU-S21019	M14x1	32	10	6	9	18	15
NU-S22119	M16x1	33	10	5	12	20	17
NU-S21119	M20x1	42	16	8	12	24	22
NU-S21219	M24x1,5	53,5	14,5	10	16	29	27

## Stop limit nut for series NC M8 to M62



Order codes	Thread	A	B	C	D	SW
NU-14018	M8x1	12	—	—	11	—
NU-15018	M10x1	15	—	—	14	—
NU-17018	M12x1	20	—	—	16	—
NU-21058	M14x1	20	6	—	18	15
NU-22158	M16x1	25	8	—	21	19
NU-21158	M20x1	35	8	—	25	22
NU-21238	M24x1,5	38	10	—	31	30
NU-S23018	M32x1,5	60	35	33	38	—
NU-S24018	M45x2	65	35	47	54	—
NU-S25018	M62x2	100	60	65	74	—



Hydraulic speed control is suitable for applications, where constant speed of feed is necessary, e.g. for feed during drilling, where feed speed balances due to variable material resistance when pneumatic cylinder is used only. The advantage is continual speed setting and maintenance-free operation.

<b>Series</b>	<b>NU-V</b>
Speed range [m/min]	0,015 to 15 or 12 to 40, continual speed setting
Temperature range [°C]	-20 to +80

### Order codes

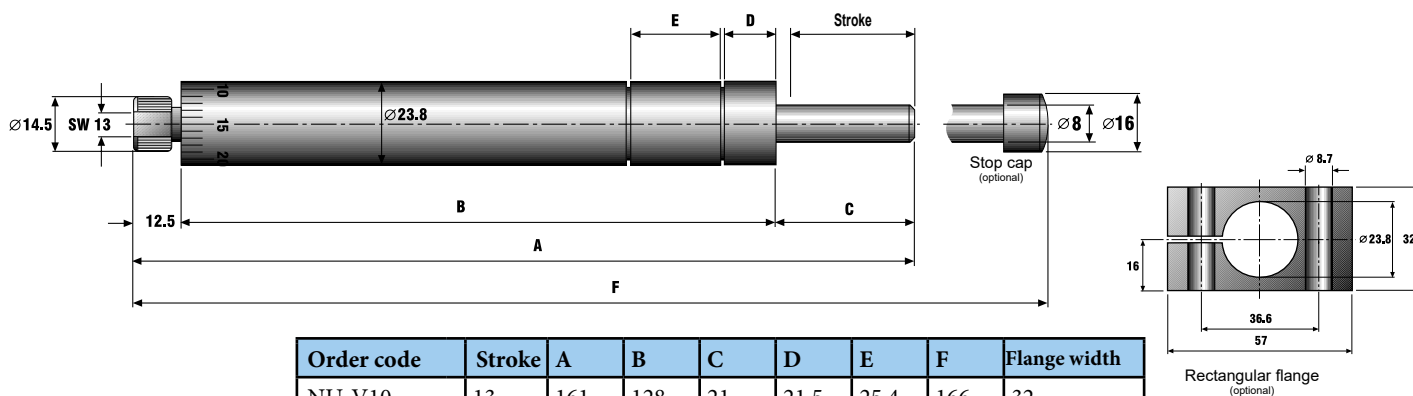
Order code consist of **series description**, **type** (1. part - see table) and **speed range** (2. part - see table), eventually indication of speed control with stop cap. If you need the speed control with stop cap, add „-A“ after complete order code. The stop cap couldn't be mounted additionally as accessories, because by mounting of stop cap the stroke of speed control will be smaller. That is why the stop cap must be ordered together with speed control to ensure that piston rod will be extended for stop cap.

Example: speed control for speed range 0,015 to 15 with stroke 100 mm has order code NU-V50-2

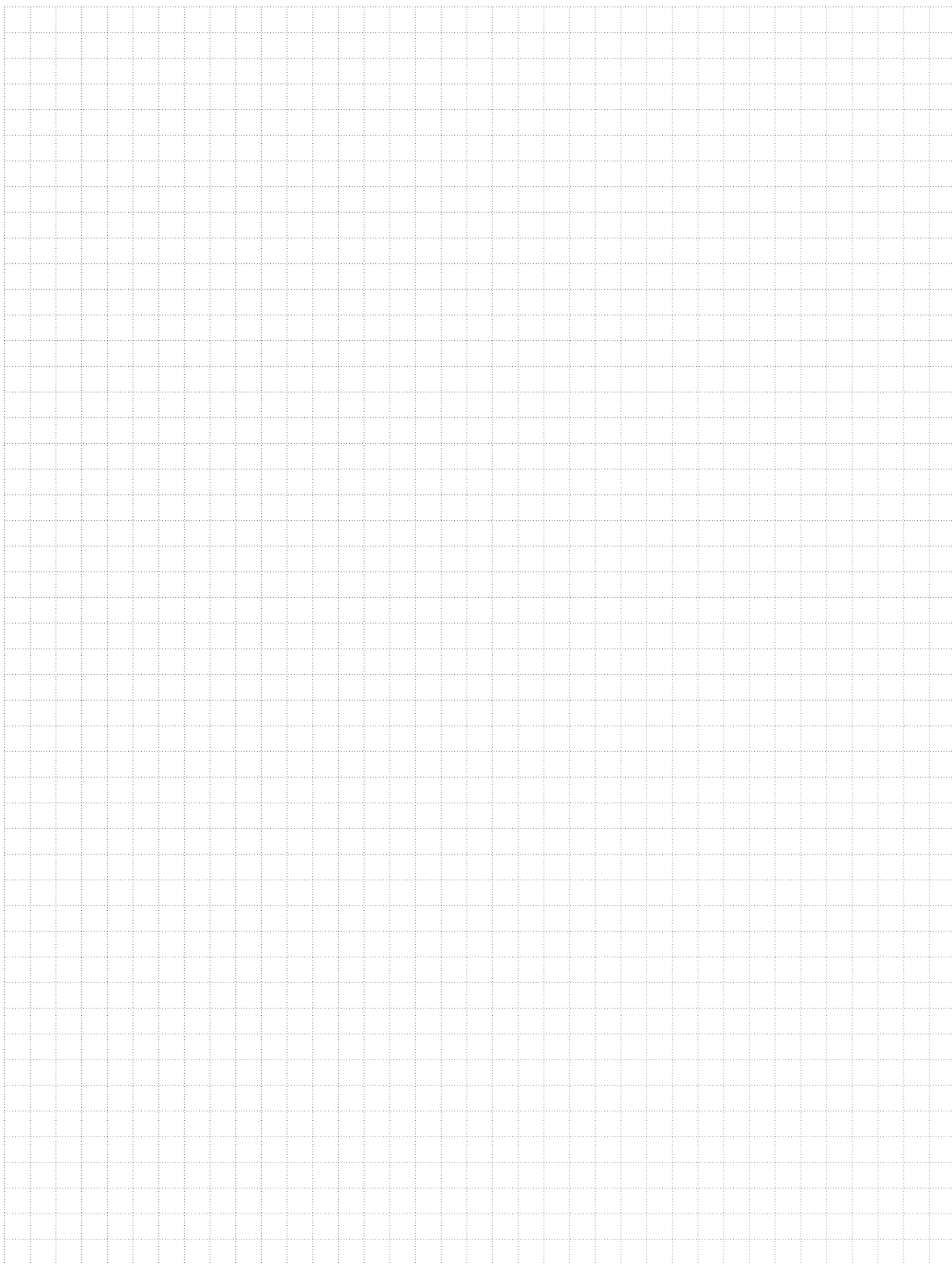
Order codes (1. part)	Stroke	External force		Speed range - order codes (2. part)		Spring return force [N]	Weight [kg]
		min [N]	max [N]	...-1 [m/min]	...-2 [m/min]		
NU-V10-...	13	25	3700	12 to 40	0,015 to 15	12 to 28	0,35
NU-V20-...	25	25	3700	12 to 40	0,015 to 15	12 to 28	0,45
NU-V30-...	50	35	3700	12 to 40	0,015 to 15	15 to 32	0,55
NU-V40-...	75	45	3700	12 to 40	0,015 to 15	15 to 32	0,65
NU-V50-...	100	45	3700	12 to 40	0,015 to 15	15 to 32	0,80
NU-V60-...	125	45	3700	12 to 40	0,015 to 15	16 to 40	0,97
NU-V70-...	150	45	3700	12 to 40	0,015 to 15	16 to 40	1,05















Accessories	NU-V10 to NU-V30	NU-V40 to NU-V70
Rectangular flange	NU-82013	NU-82043

### Dimensions



Order code	Stroke	A	B	C	D	E	F	Flange width
NU-V10-...	13	161	128	21	21,5	25,4	166	32
NU-V20-...	25	202	157	33	19,1	25,4	207	32
NU-V30-...	50	278	208	58	14,6	25,4	283	32
NU-V40-...	75	351	256	83	14,6	25,4	356	50
NU-V50-...	100	417	298	106	14,6	25,4	422	50
NU-V60-...	125	524	381	131	14,6	25,4	529	50
NU-V70-...	150	584	415	156	14,6	25,4	589	50



	Push-in fittings - nickel plated brass .....	10-2
	Push-in fittings - plastic .....	10-4
	Push-on fittings - nickel plated brass .....	10-6
	Tube sockets .....	10-7
	Threaded accessories .....	10-8
	Sealing rings .....	10-8
	Distribution blocks .....	10-9
	Blow gun .....	10-9
	Silencers .....	10-10
	Accessories for tube .....	10-10
	Tubes .....	10-11
	Protecting metal hoses .....	10-12
	Quick couplings .....	10-12
	Rotary couplings .....	10-14





**Straight\***



Ø mm	Thread	Order codes
4	M5	N104-004-005
4	G1/8"	N102-004-000
4	G1/4"	N102-004-001
6	M5	N104-006-005
6	G1/8"	N102-006-000
6	G1/4"	N102-006-001
8	G1/8"	N102-008-000
8	G1/4"	N102-008-001
8	G3/8"	N102-008-002
10	G1/4"	N102-010-001
10	G3/8"	N102-010-002
10	G1/2"	N102-010-003
12	G1/4"	N102-012-001
12	G3/8"	N102-012-002
12	G1/2"	N102-012-003

**Swivel elbow\***



Ø mm	Thread	Order codes
4	M5	N108-004-005
4	G1/8"	N108-004-000
4	G1/4"	N108-004-001
6	M5	N108-006-005
6	G1/8"	N108-006-000
6	G1/4"	N108-006-001
8	G1/8"	N108-008-000
8	G1/4"	N108-008-001
8	G3/8"	N108-008-002
8	G1/2"	N108-008-003 <sup>*)</sup>
10	G1/8"	N108-010-000
10	G1/4"	N108-010-001
10	G3/8"	N108-010-002
10	G1/2"	N108-010-003
12	G1/4"	N108-012-001
12	G3/8"	N108-012-002
12	G1/2"	N108-012-003

**1 port banjo**



Ø mm	Thread	Order codes
4	M5	N122-004-005
4	G1/8"	N122-004-000
6	M5	N122-006-005
6	G1/8"	N122-006-000
6	G1/4"	N122-006-001
8	G1/8"	N122-008-000
8	G1/4"	N122-008-001
8	G3/8"	N122-008-002
10	G1/4"	N122-010-001
10	G3/8"	N122-010-002
12	G1/4"	N122-012-001
12	G3/8"	N122-012-002 <sup>*)</sup>

**Straight with internal thread**



Ø mm	Thread	Order codes
4	M5	N105-004-005
4	G1/8"	N105-004-000
6	G1/8"	N105-006-000
6	G1/4"	N105-006-001
8	G1/8"	N105-008-000
8	G1/4"	N105-008-001
10	G1/4"	N105-010-001
10	G3/8"	N105-010-002
12	G1/4"	N105-012-001
12	G3/8"	N105-012-002
12	G1/2"	N105-012-003

**Long swivel elbow\***



Ø mm	Thread	Order codes
4	G1/8"	N108E-004-000
4	G1/4"	N108E-004-001
6	G1/8"	N108E-006-000
6	G1/4"	N108E-006-001
8	G1/8"	N108E-008-000
8	G1/4"	N108E-008-001
8	G3/8"	N108E-008-002
10	G1/4"	N108E-010-001
10	G3/8"	N108E-010-002

**2 ports banjo**



Ø mm	Thread	Order codes
4	M5	N123-004-005
4	G1/8"	N123-004-000
6	M5	N123-006-005
6	G1/8"	N123-006-000
6	G1/4"	N123-006-001
8	G1/8"	N123-008-000
8	G1/4"	N123-008-001
8	G3/8"	N123-008-002
10	G1/4"	N123-010-001
10	G3/8"	N123-010-002
12	G1/4"	N123-012-001

**Bulkhead fitting**



Ø mm	Thread	Order codes
4	M11	N101-004-000
6	M13	N101-006-000
8	M16	N101-008-000
10	M19	N101-010-000
12	M22	N101-012-000

**Adapter\***



Ø mm	Thread	Order codes
4	M5	N120-004-005
4	G1/8"	N120-004-000
4	G1/4"	N120-004-001
6	M5	N120-006-005
6	G1/8"	N120-006-000
6	G1/4"	N120-006-001
8	G1/8"	N120-008-000
8	G1/4"	N120-008-001
8	G3/8"	N120-008-002
10	G1/4"	N120-010-001
10	G3/8"	N120-010-002
10	G1/2"	N120-010-003
12	G1/4"	N120-012-001
12	G3/8"	N120-012-002
12	G1/2"	N120-012-003

**Single banjo bolt incl. sealing rings**



Thread	Order codes
M5	N124-000-005
G1/8"	N124-000-000
G1/4"	N124-000-001
G3/8"	N124-000-002

**Double banjo bolt incl. sealing rings**



Thread	Order codes
G1/8"	N125-000-000
G1/4"	N125-000-001
G3/8"	N125-000-002

**Plug**



Ø mm	Order codes
4	N118-004-000
6	N118-006-000
8	N118-008-000
10	N118-010-000
12	N118-012-000

\*) Fitting include mounted sealing ring

†) This item could have another design and/or colour

**Straight connector**


Ø mm	Ø mm	Order codes
4	4	N100-004-000
4	6	N100-004-006 <sup>+</sup>
6	6	N100-006-000
6	8	N100-006-008 <sup>+</sup>
8	8	N100-008-000
10	10	N100-010-000
12	12	N100-012-000

**T connector**


Ø mm	Order codes
4	N110-004-000
6	N110-006-000
8	N110-008-000
10	N110-010-000
12	N110-012-000

**Y connector**


Ø mm	Order codes
4	N131-004-000
6	N131-006-000
8	N131-008-000 <sup>+</sup>

**Elbow connector**


Ø mm	Order codes
4	N106-004-000
6	N106-006-000
8	N106-008-000
10	N106-010-000
12	N106-012-000

**T fitting with side thread\***


Ø mm	Thread	Order codes
4	M5	N115-004-005 <sup>+</sup>
4	G1/8"	N115-004-000
6	M5	N115-006-005 <sup>+</sup>
6	G1/8"	N115-006-000
6	G1/4"	N115-006-001
8	G1/8"	N115-008-000
8	G1/4"	N115-008-001
8	G3/8"	N115-008-002
10	G1/4"	N115-010-001
10	G3/8"	N115-010-002
10	G1/2"	N115-010-003
12	G1/4"	N115-012-001
12	G3/8"	N115-012-002
12	G1/2"	N115-012-003

**Y fitting**


Ø mm	Thread	Order codes
4	M5	N132-004-005
4	R1/8"	N132-004-000
6	R1/8"	N132-006-000

**X connector**


Ø mm	Order codes
4	N117-004-000
6	N117-006-000
8	N117-008-000
10	N117-010-000
12	N117-012-000

**T fitting with bottom thread\***


Ø mm	Thread	Order codes
4	M5	N113-004-005 <sup>+</sup>
4	G1/8"	N113-004-000
6	M5	N113-006-005 <sup>+</sup>
6	G1/8"	N113-006-000
6	G1/4"	N113-006-001
8	G1/8"	N113-008-000
8	G1/4"	N113-008-001
8	G3/8"	N113-008-002
10	G1/4"	N113-010-001
10	G3/8"	N113-010-002
10	G1/2"	N113-010-003
12	G1/4"	N113-012-001
12	G3/8"	N113-012-002
12	G1/2"	N113-012-003

**Straight connector for 2 fittings**


Ø mm	Order codes
4	N119-004-000
6	N119-006-000
8	N119-008-000
10	N119-010-000
12	N119-012-000

**Reducer**


D1 Ø mm	D2 Ø mm	Order codes
6	4	N121-006-000
8	4	N121-008-000
8	6	N121-008-002
10	6	N121-010-002
10	8	N121-010-003
12	6	N121-012-002
12	8	N121-012-003
12	10	N121-012-004

\* ) Fitting include mounted sealing ring

<sup>+</sup>) This item could have another design and/or colour

**Straight\***



Ø mm	Thread	Order codes
4	M5	P102-004-005
4	G1/8"	P102-004-000
4	G1/4"	P102-004-001
6	M5	P102-006-005
6	G1/8"	P102-006-000
6	G1/4"	P102-006-001
6	G3/8"	P102-006-002
6	G1/2"	P102-006-003
8	G1/8"	P102-008-000
8	G1/4"	P102-008-001
8	G3/8"	P102-008-002
8	G1/2"	P102-008-003
10	G1/8"	P102-010-000
10	G1/4"	P102-010-001
10	G3/8"	P102-010-002
10	G1/2"	P102-010-003
12	G1/4"	P102-012-001
12	G3/8"	P102-012-002
12	G1/2"	P102-012-003

**Swivel elbow\***



Ø mm	Thread	Order codes
4	M5	P108-004-005
4	G1/8"	P108-004-000
4	G1/4"	P108-004-001
6	M5	P108-006-005
6	G1/8"	P108-006-000
6	G1/4"	P108-006-001
6	G3/8"	P108-006-002
6	G1/2"	P108-006-003
8	G1/8"	P108-008-000
8	G1/4"	P108-008-001
8	G3/8"	P108-008-002
8	G1/2"	P108-008-003
10	G1/8"	P108-010-000
10	G1/4"	P108-010-001
10	G3/8"	P108-010-002
10	G1/2"	P108-010-003
12	G1/4"	P108-012-001
12	G3/8"	P108-012-002
12	G1/2"	P108-012-003

**Swivel elbow with internal thread**



Ø mm	Thread	Order codes
4	M5	P109-004-005
4	G1/8"	P109-004-000
4	G1/4"	P109-004-001
6	M5	P109-006-005
6	G1/8"	P109-006-000
6	G1/4"	P109-006-001
6	G3/8"	P109-006-002
6	G1/2"	P109-006-003
8	G1/8"	P109-008-000
8	G1/4"	P109-008-001
8	G3/8"	P109-008-002
8	G1/2"	P109-008-003
10	G1/8"	P109-010-000
10	G1/4"	P109-010-001
10	G3/8"	P109-010-002
10	G1/2"	P109-010-003
12	G1/4"	P109-012-001
12	G3/8"	P109-012-002
12	G1/2"	P109-012-003

**Straight with internal thread**



Ø mm	Thread	Order codes
4	M5	P105-004-005
4	G1/8"	P105-004-000
4	G1/4"	P105-004-001
6	M5	P105-006-005
6	G1/8"	P105-006-000
6	G1/4"	P105-006-001
6	G3/8"	P105-006-002
6	G1/2"	P105-006-003
8	G1/8"	P105-008-000
8	G1/4"	P105-008-001
8	G3/8"	P105-008-002
8	G1/2"	P105-008-003
10	G1/8"	P105-010-000
10	G1/4"	P105-010-001
10	G3/8"	P105-010-002
10	G1/2"	P105-010-003
12	G1/4"	P105-012-001
12	G3/8"	P105-012-002
12	G1/2"	P105-012-003

**Long swivel elbow\***



Ø mm	Thread	Order codes
4	M5	P108E-004-005
4	G1/8"	P108E-004-000
4	G1/4"	P108E-004-001
6	M5	P108E-006-005
6	G1/8"	P108E-006-000
6	G1/4"	P108E-006-001
6	G3/8"	P108E-006-002
6	G1/2"	P108E-006-003
8	G1/8"	P108E-008-000
8	G1/4"	P108E-008-001
8	G3/8"	P108E-008-002
8	G1/2"	P108E-008-003
10	G1/8"	P108E-010-000
10	G1/4"	P108E-010-001
10	G3/8"	P108E-010-002
10	G1/2"	P108E-010-003
12	G1/4"	P108E-012-001
12	G3/8"	P108E-012-002
12	G1/2"	P108E-012-003

**Swivel elbow 45° \***



Ø mm	Thread	Order codes
4	G1/8"	P127-004-000
4	G1/4"	P127-004-001
6	G1/8"	P127-006-000
6	G1/4"	P127-006-001
6	G3/8"	P127-006-002
6	G1/2"	P127-006-003
8	G1/8"	P127-008-000
8	G1/4"	P127-008-001
8	G3/8"	P127-008-002
8	G1/2"	P127-008-003
10	G1/8"	P127-010-000
10	G1/4"	P127-010-001
10	G3/8"	P127-010-002
10	G1/2"	P127-010-003
12	G1/4"	P127-012-001
12	G3/8"	P127-012-002
12	G1/2"	P127-012-003

**Bulkhead fitting**



Ø mm	Thread	Order codes
4	M12	P101-004-000
6	M14	P101-006-000
8	M16	P101-008-000
10	M18	P101-010-000
12	M22	P101-012-000

\*) Fitting include mounted sealing ring

**Swivel single port banjo\***


Ø mm	Thread	Order codes
4	M5	P137-004-005
4	G1/8"	P137-004-000
4	G1/4"	P137-004-001
6	M5	P137-006-005
6	G1/8"	P137-006-000
6	G1/4"	P137-006-001
6	G3/8"	P137-006-002
8	G1/8"	P137-008-000
8	G1/4"	P137-008-001
8	G3/8"	P137-008-002
8	G1/2"	P137-008-003
10	G1/8"	P137-010-000
10	G1/4"	P137-010-001
10	G3/8"	P137-010-002
10	G1/2"	P137-010-003
12	G3/8"	P137-012-002
12	G1/2"	P137-012-003

**T fitting with side thread\***


Ø mm	Thread	Order codes
4	M5	P115-004-005
4	G1/8"	P115-004-000
4	G1/4"	P115-004-001
6	M5	P115-006-005
6	G1/8"	P115-006-000
6	G1/4"	P115-006-001
6	G3/8"	P115-006-002
6	G1/2"	P115-006-003
8	G1/8"	P115-008-000
8	G1/4"	P115-008-001
8	G3/8"	P115-008-002
8	G1/2"	P115-008-003
10	G1/8"	P115-010-000
10	G1/4"	P115-010-001
10	G3/8"	P115-010-002
10	G1/2"	P115-010-003
12	G1/4"	P115-012-001
12	G3/8"	P115-012-002
12	G1/2"	P115-012-003

**T connector**


Ø mm	Order codes
4	P110-004-000
6	P110-006-000
8	P110-008-000
10	P110-010-000
12	P110-012-000

**Y fitting\***


Ø mm	Thread	Order codes
4	M5	P132-004-005
4	G1/8"	P132-004-000
4	G1/4"	P132-004-001
6	M5	P132-006-005
6	G1/8"	P132-006-000
6	G1/4"	P132-006-001
6	G3/8"	P132-006-002
6	G1/2"	P132-006-003
8	G1/8"	P132-008-000
8	G1/4"	P132-008-001
8	G3/8"	P132-008-002
8	G1/2"	P132-008-003
10	G1/8"	P132-010-000
10	G1/4"	P132-010-001
10	G3/8"	P132-010-002
10	G1/2"	P132-010-003
12	G1/4"	P132-012-001
12	G3/8"	P132-012-002
12	G1/2"	P132-012-003

**T fitting with bottom thread\***


Ø mm	Thread	Order codes
4	M5	P113-004-005
4	G1/8"	P113-004-000
4	G1/4"	P113-004-001
6	M5	P113-006-005
6	G1/8"	P113-006-000
6	G1/4"	P113-006-001
6	G3/8"	P113-006-002
6	G1/2"	P113-006-003
8	G1/8"	P113-008-000
8	G1/4"	P113-008-001
8	G3/8"	P113-008-002
8	G1/2"	P113-008-003
10	G1/8"	P113-010-000
10	G1/4"	P113-010-001
10	G3/8"	P113-010-002
10	G1/2"	P113-010-003
12	G1/4"	P113-012-001
12	G3/8"	P113-012-002
12	G1/2"	P113-012-003

**Distributor connector reduced**


Inlet D1 Ø mm	Outlet D2 Ø mm	Order codes
6	3x 4	P193-006-004
8	3x 4	P193-008-004
8	3x 6	P193-008-006
10	3x 6	P193-010-006
10	3x 8	P193-010-008

**Reducer**


D1 Ø mm	D2 Ø mm	Order codes
6	4	P121-006-004
8	4	P121-008-004
8	6	P121-008-006
10	6	P121-010-006
10	8	P121-010-008
12	8	P121-012-008
12	10	P121-012-010

**X connector**


Ø mm	Order codes
4	P117-004
6	P117-006
8	P117-008
10	P117-010
12	P117-012

**Distributor fitting\***


Inlet Ø mm	Thread	Outlet Ø mm	Order codes
6	G1/8"	3x 4	P194-006-004
8	G1/4"	3x 4	P194-008-004
8	G1/4"	3x 6	P194-008-006
10	G3/8"	3x 8	P194-010-008

**Distributor connector**


Ø mm	Order codes
4	P193-004-000
6	P193-006-000
8	P193-008-000

\*) Fitting include mounted sealing ring

# PUSH-IN FITTINGS - PLASTIC / PUSH-ON FITTINGS - NICKEL PLATED BRASS

## Straight connector



Ø mm	Order codes
4	P100-004-000
6	P100-006-000
8	P100-008-000
10	P100-010-000
12	P100-012-000

## Straight



Ø mm	Thread	Order codes
4/2	M5	N341-004-005
4/2	G1/8"	N341-004-000
6/4	M5	N341-006-005
6/4	G1/8"	N341-006-000
6/4	G1/4"	N341-006-001
6/4	G3/8"	N341-006-002
8/6	G1/8"	N341-008-000
8/6	G1/4"	N341-008-001
8/6	G3/8"	N341-008-002
8/6	G1/2"	N341-008-003 <sup>†</sup>
10/8	G1/8"	N341-010-000
10/8	G1/4"	N341-010-001
10/8	G3/8"	N341-010-002
10/8	G1/2"	N341-010-003 <sup>†</sup>
12/9	G3/8"	N341-912-002 <sup>†</sup>
12/9	G1/2"	N341-912-003 <sup>†</sup>
12/9	G3/4"	N341-912-006 <sup>†</sup>
12/9	G1"	N341-912-007 <sup>†</sup>
12/10	G3/8"	N341-012-002
12/10	G1/2"	N341-012-003 <sup>†</sup>
12/10	G3/4"	N341-012-006 <sup>†</sup>
12/10	G1"	N341-012-007 <sup>†</sup>
15/12	G1/2"	N341-015-003 <sup>†</sup>
15/12	G3/4"	N341-015-006 <sup>†</sup>
15/12	G1"	N341-015-007 <sup>†</sup>

## Bulkhead fitting



Ø mm	Thread	Order codes
4/2	M7x0,5	N345-004-000
6/4	M10x1	N345-006-000
8/6	M12x1	N345-008-000
10/8	M14x1	N345-010-000

## Straight connector reduced



Ø mm	Ø mm	Order codes
6	4	P100-006-004
8	4	P100-008-004
8	6	P100-008-006
10	8	P100-010-008
12	10	P100-012-010

## Elbow connector



Ø mm	Order codes
4/2	N348-004-000
6/4	N348-006-000
8/6	N348-008-000
10/8	N348-010-000

## Elbow connector



Ø mm	Order codes
4	P106-004-000
6	P106-006-000
8	P106-008-000
10	P106-010-000
12	P106-012-000

## Elbow with internal thread



Ø mm	Thread	Order codes
4/2	G1/8"	N347-004-000
6/4	G1/8"	N347-006-000
6/4	G1/4"	N347-006-001
8/6	G1/8"	N347-008-000
8/6	G1/4"	N347-008-001

## Y connector



Ø mm	Order codes
4	P131-004-000
6	P131-006-000
8	P131-008-000
10	P131-010-000
12	P131-012-000

## X connector



Ø mm	Order codes
6/4	N354-006-000
8/6	N354-008-000
10/8	N354-010-000

## Y connector reduced



D1 Ø mm	D2 Ø mm	Order codes
6	2x 4	P131-006-004
8	2x 4	P131-008-004
8	2x 6	P131-008-006
10	2x 6	P131-010-006
10	2x 8	P131-010-008
12	2x 8	P131-012-008
12	2x 10	P131-012-010

## Straight with tube guard



Ø mm	Thread	Order codes
6/4	G1/8"	N180-006-000
6/4	G1/4"	N180-006-001
6/4	G3/8"	N180-006-002
6/4	G1/2"	N180-006-003
8/6	G1/8"	N180-008-000
8/6	G1/4"	N180-008-001
8/6	G3/8"	N180-008-002
8/6	G1/2"	N180-008-003
10/8	G1/8"	N180-010-000
10/8	G1/4"	N180-010-001
10/8	G3/8"	N180-010-002
10/8	G1/2"	N180-010-003
12/10	G3/8"	N180-012-002
12/10	G1/2"	N180-012-003

## Swivel elbow



Ø mm	Thread	Order codes
6/4	G1/8"	N349-006-000
6/4	G1/4"	N349-006-001
8/6	G1/8"	N349-008-000
8/6	G1/4"	N349-008-001
10/8	G1/4"	N349-010-001

## Plug



Ø mm	Order codes
4	P118-004
6	P118-006
8	P118-008
10	P118-010
12	P118-012

## Push-on nut



Ø mm	Order codes
4/2	N368-004-000
6/4	N368-006-000
8/6	N368-008-000
10/8	N368-010-000
12/10	N368-012-000

<sup>†</sup>) This item could have another design and/or colour and material. Sealing ring isn't included - it has to be ordered separately.

**Single banjo bolt incl. sealing rings**


Thread	Order codes
M5	N324-005
G1/8"	N324-000
G1/4"	N324-001
G3/8"	N324-002 <sup>+</sup>
G1/2"	N324-003 <sup>+</sup>

**T connector**


Ø mm	Order codes
4/2	N353-004-000
6/4	N353-006-000
8/6	N353-008-000
10/8	N353-010-000
12/10	N353-012-000

**Straight with external thread**


Ø mm	Thread	Order codes
4	G1/8"	N460-004-000 <sup>+</sup>
4	G1/4"	N460-004-001 <sup>+</sup>
6	G1/8"	N460-006-000
6	G1/4"	N460-006-001 <sup>+</sup>
7	G1/8"	N460-007-000
7	G1/4"	N460-007-001
8	G1/8"	N460-008-000
8	G1/4"	N460-008-001
8	G3/8"	N460-008-002 <sup>+</sup>
8	G1/2"	N460-008-003 <sup>+</sup>
9	G1/8"	N460-009-000
9	G1/4"	N460-009-001
9	G3/8"	N460-009-002
10	G3/8"	N460-010-002 <sup>+</sup>
10	G1/2"	N460-010-003 <sup>+</sup>
12	G1/4"	N460-012-001
12	G3/8"	N460-012-002
12	G1/2"	N460-012-003
14	G3/8"	N460-014-002
17	G3/8"	N460-017-002
17	G1/2"	N460-017-003

**Double banjo bolt incl. sealing rings**


Thread	Order codes
G1/8"	N325-000
G1/4"	N325-001
G3/8"	N325-002 <sup>+</sup>
G1/2"	N325-003 <sup>+</sup>

**Straight with internal thread**


Ø mm	Thread	Order codes
4/2	G1/8"	N343-004-000
6/4	G1/8"	N343-006-000
6/4	G1/4"	N343-006-001
8/6	G1/8"	N343-008-000
8/6	G1/4"	N343-008-001
8/6	G3/8"	N343-008-002
10/8	G1/8"	N343-010-000
10/8	G1/4"	N343-010-001
10/8	G3/8"	N343-010-002

**Triple banjo bolt w/o sealing rings**


Thread	Order codes
G1/8"	N326-000 <sup>+</sup>
G1/4"	N326-001 <sup>+</sup>
G3/8"	N326-002 <sup>+</sup>
G1/2"	N326-003 <sup>+</sup>

**Straight connector**


Ø mm	Ø mm	Order codes
4/2	4/2	N344-004-000
6/4	6/4	N344-006-000
6/4	8/6	N344-006-008 <sup>+</sup>
8/6	8/6	N344-008-000
8/6	10/8	N344-008-010 <sup>+</sup>
10/8	10/8	N344-010-000
12/10	12/10	N344-012-000
15/12	15/12	N344-015-000 <sup>+</sup>

**1 port banjo**


Ø mm	Thread	Order codes
6/4	M5	N355-006-005
6/4	G1/8"	N355-006-000
6/4	G1/4"	N355-006-001
8/6	G1/8"	N355-008-000
8/6	G1/4"	N355-008-001
8/6	G3/8"	N355-008-002 <sup>+</sup>
8/6	G1/2"	N355-008-003 <sup>+</sup>
10/8	G1/4"	N355-010-001
10/8	G3/8"	N355-010-002 <sup>+</sup>
10/8	G1/2"	N355-010-003 <sup>+</sup>
12/9	G1/4"	N355-912-001
12/9	G3/8"	N355-912-002
12/10	G3/8"	N355-012-002
12/10	G1/2"	N355-012-003

**Straight with internal thread**


Ø mm	Thread	Order codes
6	G1/8"	N455-006-000
7	G1/8"	N455-007-000
7	G1/4"	N455-007-001
8	G1/8"	N455-008-000
8	G1/4"	N455-008-001
9	G1/4"	N455-009-001 <sup>+</sup>
9	G3/8"	N455-009-002 <sup>+</sup>
10	G3/8"	N455-010-002 <sup>+</sup>
12	G3/8"	N455-012-002
12	G1/2"	N455-012-003

**2 ports banjo**


Ø mm	Thread	Order codes
6/4	G1/8"	N356-006-000
6/4	G1/4"	N356-006-001
8/6	G1/8"	N356-008-000
8/6	G1/4"	N356-008-001
8/6	G3/8"	N356-008-002 <sup>+</sup>
10/8	G1/4"	N356-010-001
10/8	G3/8"	N356-010-002 <sup>+</sup>
12/9	G3/8"	N356-912-002
12/10	G3/8"	N356-012-002
12/10	G1/2"	N356-012-003

**Elbow with external thread**


Ø mm	Thread	Order codes
6	R1/8"	N491-006-000
6	R1/4"	N491-006-001
7	R1/8"	N491-007-000
7	R1/4"	N491-007-001

<sup>+</sup>) This item could have another design and/or colour and material. Sealing ring isn't included - it has to be ordered separately.



## Reducer



External thread	Internal thread	Order codes
G1/8"	M5	N449-000-005
G1/4"	M5	N449-001-005 <sup>+</sup>
G1/4"	G1/8"	N449-001-000
G3/8"	G1/8"	N449-002-000
G3/8"	G1/4"	N449-002-001
G1/2"	G1/8"	N449-003-000
G1/2"	G1/4"	N449-003-001
G1/2"	G3/8"	N449-003-002
G3/4"	G3/8"	N449-006-002
G3/4"	G1/2"	N449-006-003
G1"	G3/8"	N449-007-002 <sup>+</sup>
G1"	G1/2"	N449-007-003 <sup>+</sup>
G1"	G3/4"	N449-007-006

## Plug with internal hexagon socket incl. sealing ring



Thread	Order codes
M5	N411-005
G1/8"	N411-000
G1/4"	N411-001
G3/8"	N411-002
G1/2"	N411-003
G3/4"	N411-006 <sup>+</sup>
G1"	N411-007 <sup>+</sup>

## L coupling internal / external threads



External thread	Internal thread	Order codes
M5	M5	N458-005-005
R1/8"	G1/8"	N458-000-000
R1/4"	G1/4"	N458-001-001
R3/8"	G3/8"	N458-002-002
R1/2"	G1/2"	N458-003-003
R3/4"	G3/4"	N458-006-006
R1"	G1"	N458-007-007

## Plug with internal hexagon socket



Thread	Order codes
R1/8"	N412-000
R1/4"	N412-001
R3/8"	N412-002
R1/2"	N412-003
R3/4"	N412-006

## L coupling 2x external threads



Thread	Order codes
G1/8"	N459-000-000
G1/4"	N459-001-001
G3/8"	N459-002-002
G1/2"	N459-003-003
G3/4"	N459-006-006
G1"	N459-007-007

## Enlarging reducer



External thread	Internal thread	Order codes
M5	G1/8"	N445-005-000
G1/8"	G1/4"	N445-000-001
G1/8"	G3/8"	N445-000-002
G1/4"	G3/8"	N445-001-002
G1/4"	G1/2"	N445-001-003
G3/8"	G1/2"	N445-002-003

## Plug with internal thread



Thread	Order codes
G1/8"	N453-000
G1/4"	N453-001
G3/8"	N453-002
G1/2"	N453-003

## L coupling 2x internal threads



Thread	Order codes
G1/8"	N456-000
G1/4"	N456-001
G3/8"	N456-002
G1/2"	N456-003
G3/4"	N456-006
G1"	N456-007

## Plastic sealing ring



Thread	Order codes
M5	3910 2002 1000 0030
G1/8"	3910 2004 1000 0030
G1/4"	3910 2006 1000 0030
G3/8"	3910 2008 1000 0030
G1/2"	3910 2010 1000 0030

## Hexagonal nut



Thread	Order codes
G1/8"	N489-000
G1/4"	N489-001
G3/8"	N489-002
G1/2"	N489-003

## T connector 3x internal threads



Thread	Order codes
G1/8"	N461-000
G1/4"	N461-001
G3/8"	N461-002
G1/2"	N461-003
G3/4"	N461-006

## Aluminium sealing ring



Thread	Order codes
M5	3910 2002 0000 0022
G1/8"	3910 2004 0000 0022
G1/4"	3910 2006 0000 0022
G3/8"	3910 2008 0000 0022
G1/2"	3910 2010 0000 0022
G3/4"	3910 2012 0000 0022
G1"	3910 2014 0000 0022

## Prolonging fitting



Thread	Length	Order codes
R1/8"	36	N447-000-036
R1/4"	43	N447-001-043
R3/8"	40	N447-002-040
R1/2"	50	N447-003-050

## T connector 1x external, 2x internal threads



External thread	Internal thread	Order codes
M5	M5	N462-005-005
R1/8"	G1/8"	N462-000-000
R1/4"	G1/4"	N462-001-001
R3/8"	G3/8"	N462-002-002
R1/2"	G1/2"	N462-003-003
G3/4"	G3/4"	N462-006-006 <sup>+</sup>
G1"	G1"	N462-007-007 <sup>+</sup>

## Short prolonging fitting



Thread	Length	Order codes
G1/8"	11	N445-000-000
G1/4"	11,5	N445-001-001
G3/8"	15	N445-002-002
G1/2"	16,5	N445-003-003

## Teflon thread tape



Dimensions	Order codes
10mm x0,1mm length 10m	3910 2210 0110 0035

<sup>+</sup>) This item could have another design and/or colour and material. Sealing ring isn't included - it has to be ordered separately.



**T connector 3x external threads**


Thread	Order codes
G1/8"	N464-000
G1/4"	N464-001
G3/8"	N464-002
G1/2"	N464-003

**Y connector 3x internal threads**


Thread	Order codes
G1/8"	N498A-000
G1/4"	N498A-001
G3/8"	N498A-002
G1/2"	N498A-003

**Bulkhead fitting**

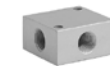

Internal thread	External thread	Order codes
M5	M10x1	N446-005
G1/8"	M16x1,5	N446-000
G1/4"	M20x1,5	N446-001
G3/8"	M26x1,5	N446-002
G1/2"	M28x1,5	N446-003

**T connector 1x external, 2x internal threads**


External thread	Internal thread	Order codes
R1/8"	G1/8"	N466-000-000
R1/4"	G1/4"	N466-001-001
R3/8"	G3/8"	N466-002-002
R1/2"	G1/2"	N466-003-003

**Y connector 1x external, 2x internal threads**


External thread	Internal thread	Order codes
R1/8"	G1/8"	N498-000-000
R1/4"	G1/4"	N498-001-001
R3/8"	G3/8"	N498-002-002
R1/2"	G1/2"	N498-003-003

**Square distribution block**


Thread	Order codes
4x G1/8"	3920 0404 0000 0020
4x G1/4"	3920 0406 0000 0020
4x G3/8"	3920 0408 0000 0020
4x G1/2"	3920 0410 0000 0020

**T connector 2x external, 1x internal threads**


External thread	Internal thread	Order codes
R1/8"	G1/8"	N465-000-000
R1/4"	G1/4"	N465-001-001
R3/8"	G3/8"	N465-002-002
R1/2"	G1/2"	N465-003-003

**Double nipple**


Thread	Order codes
M5	N442-005-005 <sup>†</sup>
G1/8"	N442-000-000
G1/4"	N442-001-001
G3/8"	N442-002-002
G1/2"	N442-003-003
G3/4"	N442-006-006 <sup>†</sup>

**Rectangular distribution block**


Inlet thread	Outlet thread	Order codes
1x G1/4"	3x G1/8"	3921 0106 0304 0020
1x G1/4"	4x G1/8"	3921 0106 0404 0020
2x G1/4"	5x G1/8"	3921 0206 0504 0020
2x G1/4"	6x G1/8"	3921 0206 0604 0020
1x G3/8"	3x G1/4"	3921 0108 0306 0020
1x G3/8"	4x G1/4"	3921 0108 0406 0020
2x G3/8"	5x G1/4"	3921 0208 0506 0020
2x G3/8"	6x G1/4"	3921 0208 0606 0020
1x G1/2"	3x G3/8"	3921 0110 0308 0020
1x G1/2"	4x G3/8"	3921 0110 0408 0020
2x G1/2"	5x G3/8"	3921 0210 0508 0020
2x G1/2"	6x G3/8"	3921 0210 0608 0020
1x G3/4"	3x G1/2"	3921 0112 0310 0020
1x G3/4"	4x G1/2"	3921 0112 0410 0020
2x G3/4"	5x G1/2"	3921 0212 0510 0020
2x G3/4"	6x G1/2"	3921 0212 0610 0020

**T connector 2x external, 1x internal threads**


External thread	Internal thread	Order codes
R1/8"	G1/8"	N463-000-000
R1/4"	G1/4"	N463-001-001
R3/8"	G3/8"	N463-002-002
R1/2"	G1/2"	N463-003-003

**Reduced double nipple**


Thread	Thread	Order codes
M5	G1/8"	N443-005-000 <sup>†</sup>
G1/8"	G1/4"	N443-000-001
G1/4"	G3/8"	N443-001-002
G1/4"	G1/2"	N443-001-003
G3/8"	G1/2"	N443-002-003

**X connector**


Thread	Order codes
G1/8"	N457-000
G1/4"	N457-001
G3/8"	N457-002
G1/2"	N457-003

**Coupling**


Thread	Order codes
M5	N450-005-005 <sup>†</sup>
G1/8"	N450-000-000
G1/4"	N450-001-001
G3/8"	N450-002-002
G1/2"	N450-003-003
G3/4"	N450-006-006 <sup>†</sup>

**X connector 1x external, 3x internal threads**


External thread	Internal thread	Order codes
R1/8"	G1/8"	N485-000-000
R1/4"	G1/4"	N485-001-001
R3/8"	G3/8"	N485-002-002
R1/2"	G1/2"	N485-003-003

**Reduced coupling**


Thread	Thread	Order codes
G1/4"	G1/8"	N451-001-000
G3/8"	G1/8"	N451-002-000
G3/8"	G1/4"	N451-002-001
G1/2"	G1/8"	N451-003-000
G1/2"	G1/4"	N451-003-001
G1/2"	G3/8"	N451-003-002

**Thread reducer G→NPTF**


External thread	Internal thread	Order codes
G1/8"	1/8" NPTF	NIN439-000-020
G1/4"	1/4" NPTF	NIN439-001-021
G3/8"	3/8" NPTF	NIN439-002-022
G1/2"	1/2" NPTF	NIN439-003-023
G3/4"	3/4" NPTF	NIN439-006-026

**Thread reducer NPTF→G**


External thread	Internal thread	Order codes
1/8" NPTF	G1/8"	NIN438-020-000
1/4" NPTF	G1/4"	NIN438-021-001
3/8" NPTF	G3/8"	NIN438-022-002
1/2" NPTF	G1/2"	NIN438-023-003

**Blow gun**


Thread	Order codes
G1/4"	3910 3010 0600 0010

<sup>†</sup>) This item could have another design and/or material.

## Sintered plastic PE silencer



Thread	Order codes
M5	NSE05K
G1/8"	NSE10K
G1/4"	NSE25K
G3/8"	NSE37K
G1/2"	NSE50K
G3/4"	NSE75K
G1"	NSE100K

## Sintered bronze short silencer



Thread	Order codes
M5	NSFG05S
G1/8"	NSFG10S
G1/4"	NSFG25S
G3/8"	NSFG37S
G1/2"	NSFG50S
G3/4"	NSFG75S
G1"	NSFG100S

## Plastic tube cutter



Max. tube diameter Ø D	Order codes
12	N125-468

## Plastic tube cutter



Max. tube diameter Ø D	Order codes
12	NTCM468
25	NTCM468-25

## Push-in sint. plastic PE silencer



Ø mm	Order codes
4	NSE04KP
6	NSE06KP
8	NSE08KP
10	NSE10KP
12	NSE12KP

## High flow silencer up to 1 MPa

R1/8"-2"



R3"-6"



Thread	Order codes
G1/8"	NSE10HB
G1/4"	NSE25HB
G3/8"	NSE37HB
G1/2"	NSE50HB
G3/4"	NSE75HB
G1"	NSE100HB
G1 1/4"	NSE125HB
G1 1/2"	NSE150HB
G2"	NSE200HB
G3"	NSE300HB
G4"	NSE400HB
G6"	NSE600HB

## Multiple tube holder



For tube Ø D	No. of tube positions	Order codes
4	8	3095 1004 0000 0000
6	8	3095 1006 0000 0000
8	7	3095 1008 0000 0000
10	6	3095 1010 0000 0000
12	5	3095 1012 0000 0000

Particular holders are detachable, each holder has mounting hole for fixing by screw.

## Sintered bronze/brass silencer



Thread	Order codes
M5	NSE05S
G1/8"	NSE10S
G1/4"	NSE25S
G3/8"	NSE37S
G1/2"	NSE50S
G3/4"	NSE75S
G1"	NSE100S

## High flow silencer up to 4 MPa

R1/8"-2"



R3"-6"



Thread	Order codes
G1/8"	NSE10HP
G1/4"	NSE25HP
G3/8"	NSE37HP
G1/2"	NSE50HP
G3/4"	NSE75HP
G1"	NSE100HP
G1 1/4"	NSE125HP
G1 1/2"	NSE150HP
G2"	NSE200HP
G3"	NSE300HP
G4"	NSE400HP
G6"	NSE600HP

## Sintered bronze silencer



Thread	Order codes
G1/8"	NU010051
G1/4"	NU010052
G3/8"	NU010053
G1/2"	NU010054
G3/4"	NU010055
G1"	NU010056

## Tubing strap



Size	Order codes
4,8 x 178	3095 2000 4801 7800
4,8 x 250	3095 2000 4802 5000

## Spiral wrap



Diameter	Order codes
15 to 80	3095 2500 1500 8000

## Sintered bronze low profile silencer



Thread	Order codes
G1/8"	NSF10B
G1/4"	NSF25B
G3/8"	NSF37B
G1/2"	NSF50B
G3/4"	NSF75B
G1"	NSF100B

## Silencer with speed control



Thread	Order codes
G1/8"	NSE10RM
G1/4"	NSE25RM
G3/8"	NSE37RM
G1/2"	NSE50RM
G3/4"	NSE75RM
G1"	NSE100RM

## Tube clamp



Diameter	Order codes
8 to 12	3910 1000 8012 0000
10 to 16	3910 1001 0016 0000
12 to 20	3910 1001 2020 0000
16 to 25	3910 1001 6025 0000
25 to 40	3910 1002 5040 0000
32 to 50	3910 1003 2050 0000
50 to 70	3910 1005 0070 0000
70 to 90	3910 1007 0090 0000
90 to 110	3910 1009 0110 0000
110 to 130	3910 1011 0130 0000
130 to 150	3910 1013 0150 0000
140 to 160	3910 1014 0160 0000

### Tube PU polyurethan



External diameter $\varnothing D$ mm	Internal diameter $\varnothing d$ mm	Min. bending radius	Max. pressure at 20°C	Order codes
4	2	13	2,5 MPa	3020 0004 0200 0010
6	4	20	1,6 MPa	3020 0006 0400 0010
8	6	30	1,1 MPa	3020 0008 0600 0010
10	6,5	30	1,0 MPa	3020 0010 0600 0010
10	8	40	0,9 MPa	3020 0010 0800 0010
12	8	35	1,2 MPa	3020 0012 0800 0010
12	9	50	1,1 MPa	3020 0012 0900 0010

Standard tube colour is blue. Optionally, some diameters can be delivered with the following colour: transparent, yellow, black, green, red, white.  
Temperature range: -20°C to +60°C

**Max. pressure for higher temperatures is percentually related to 20°C.**

-20°C	0°C	20°C	40°C	60°C
180%	140%	100%	70%	50%

### Tube PTFE teflon



External diameter $\varnothing D$ mm	Internal diameter $\varnothing d$ mm	Min. bending radius	Max. pressure at 20°C	Order codes
4	2	20	2,5 MPa	3030 0004 0200 0015
6	4	40	1,8 MPa	3030 0006 0400 0015
8	6	60	1,4 MPa	3030 0008 0600 0015
10	8	100	1,2 MPa	3030 0010 0800 0015
12	10	120	1,0 MPa	3030 0012 1000 0015

Standard tube colour is transparent.  
Temperature range: -200°C to +250°C in static conditions, up to +200°C in dynamic conditions

**Max. pressure for higher temperatures is percentually related to 20°C.**

20°C	50°C	100°C	150°C	200°C
100%	50%	35%	30%	10%

### Tube PA6 polyamid



External diameter $\varnothing D$ mm	Internal diameter $\varnothing d$ mm	Min. bending radius	Max. pressure at 20°C	Order codes
4	2	25	4,9 MPa	3010 0004 0200 0010
6	4	35	3,0 MPa	3010 0006 0400 0010
8	6	45	2,1 MPa	3010 0008 0600 0010
10	8	60	1,7 MPa	3010 0010 0800 0010
12	9	80	1,9 MPa	3010 0012 0900 0020
12	10	70	1,3 MPa	3010 0012 1000 0010
15	12	100	1,5 MPa	3010 0015 1200 0020

Standard tube colour is blue (black for tubes 12/9 and 15/12). Optionally, some diameters can be delivered with the following colour: transparent, yellow, black, green, red, white.

Temperature range: -20°C to +90°C

**Max. pressure for higher temperatures is percentually related to 20°C.**

-20°C	0°C	20°C	40°C	60°C	80°C	90°C
180%	140%	100%	70%	50%	45%	38%

### Spiral tube PA6 polyamid



External diameter $\varnothing D$ mm	Internal diameter $\varnothing d$ mm	Spiral diameter	Max. pressure at 20°C	Order codes
6	4	72	3,0 MPa	3010 1006 0400 0010
8	6	96	2,1 MPa	3010 1008 0600 0010
10	8	120	1,7 MPa	3010 1010 0800 0010
12	10	144	1,3 MPa	3010 1012 1000 0010

The length of spiral tubes is in extended status. Working length is max. 1/2 of length (we recommend 0,3 to 0,4 multiple) in extended status. Maximal available length is 30m in extended status.

Standard tube colour is blue.

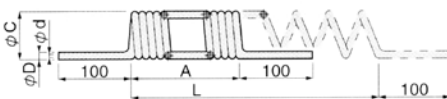
Temperature range: -20°C to +90°C

**Max. pressure for higher temperatures is percentually related to 20°C.**

-20°C	0°C	20°C	40°C	60°C	80°C	90°C
180%	140%	100%	70%	50%	45%	38%

**We recommend to use straight push-on fittings with tube guard for use with spiral tube.**

### Spiral tube PU polyurethan



Standard tube colour is blue. Optionally, the following colour are available: black, orange, yellow, red and transparent.

Temperature range: -15°C to +60°C

Operating pressure range: vacuum to 0,7 MPa at 20°C

A ... length in idle condition

L ... working length

Values in table are

mentioned in mm.

$\varnothing D$	$\varnothing d$	$\varnothing C$	A	L	Order codes
4	2,5	24	120	360	PUML 04 - 2
4	2,5	24	180	540	PUML 04 - 3
4	2,5	24	350	1100	PUML 04 - 5
4	2,5	24	480	1500	PUML 04 - 7
4	2,5	24	700	2100	PUML 04 - 10
4	2,5	24	1040	3200	PUML 04 - 14
4	2,5	24	1450	4400	PUML 04 - 20
6	4	30	160	500	PUML 06 - 2
6	4	30	230	700	PUML 06 - 3
6	4	30	430	1300	PUML 06 - 5

$\varnothing D$	$\varnothing d$	$\varnothing C$	A	L	Order codes
6	4	30	620	1900	PUML 06 - 7
6	4	30	910	2800	PUML 06 - 10
6	4	30	1300	3900	PUML 06 - 14
6	4	30	1850	5600	PUML 06 - 20
8	5	42	250	750	PUML 08 - 3
8	5	42	390	1200	PUML 08 - 5
8	5	42	540	1700	PUML 08 - 7
8	5	42	770	2400	PUML 08 - 10
8	5	42	1045	3200	PUML 08 - 14
8	5	42	1550	4700	PUML 08 - 20

$\varnothing D$	$\varnothing d$	$\varnothing C$	A	L	Order codes
10	6,5	58	330	1000	PUML 10 - 5
10	6,5	58	470	1400	PUML 10 - 7
10	6,5	58	680	2100	PUML 10 - 10
10	6,5	58	970	3000	PUML 10 - 14
10	6,5	58	1380	4200	PUML 10 - 20
12	8	72	310	1000	PUML 12 - 5
12	8	72	450	1400	PUML 12 - 7
12	8	72	660	2000	PUML 12 - 10
12	8	72	920	2800	PUML 12 - 14
12	8	72	1320	4000	PUML 12 - 20

## Tube PE-LD polyethylene



External diameter Ø D mm	Internal diameter Ø d mm	Min. bending radius	Max. pressure at 20°C	Order codes
6	4	28	1,7 MPa	3070 0006 0400 0015
8	6	40	1,3 MPa	3070 0008 0600 0015
10	8	57	0,9 MPa	3070 0010 0800 0015

Standard tube colour is transparent. Optionally, blue colour can be delivered on request.  
Temperature range: -20°C to +80°C

**Max. pressure for higher temperatures is percentually related to 20°C:**

-20°C	0°C	20°C	40°C	60°C	80°C
180%	140%	100%	70%	50%	45%

## Protecting metal hose



External diameter Ø D mm	Internal diameter Ø d mm	Suitable for tube diameter Ø D/d mm	Order codes
10	8	6/4	3080 0006 0000 0000
13	10	8/9	3080 0008 0000 0000
16	13	10/8	3080 0010 0000 0000
19	16	12/10 and 12/9	3080 0012 0000 0000
21	18	15/12	3080 0015 0000 0000

Protecting metal hoses are used when external effects could damage plastic tubes, for example:

- protection against welding sparks
- protection against chips during machining
- protection against wring, etc.

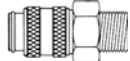
Material: zinc plated steel

## Quick coupling type 21



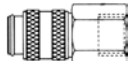
- Flow capacity 844 Nl/min at 0,6 MPa and  $\Delta p=0,1$  MPa
- Cross section Js5 (20 mm<sup>2</sup>)
- Max. pressure 3,5 MPa

### Body with external thread



Thread	Order codes
G1/8"	3930 0211 0104 0000
G1/4"	3930 0211 0106 0000
G3/8"	3930 0211 0108 0000

### Body with internal thread



Thread	Order codes
G1/8"	3930 0211 0204 0000
G1/4"	3930 0211 0206 0000
G3/8"	3930 0211 0208 0000

### Body with push-on fitting



Ø mm	Order codes
6/4	3930 0211 1032 0000
8/6	3930 0211 1033 0000

### Body with push-on fitting with tube guard



Ø mm	Order codes
6/4	3930 0211 1232 0000
8/6	3930 0211 1233 0000

### Bulkhead body with tube socket



Ø mm	Order codes
4	3930 0211 2174 0000
6	3930 0211 2176 0000
8	3930 0211 2178 0000

### Bulkhead body with push-on fitting



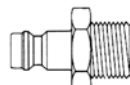
Ø mm	Order codes
6/4	3930 0211 1132 0000
8/6	3930 0211 1133 0000

### Body with tube socket



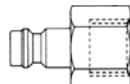
Ø mm	Order codes
4	3930 0211 2074 0000
6	3930 0211 2076 0000
8	3930 0211 2078 0000
9	3930 0211 2079 0000
10	3930 0211 2080 0000

### Plug with external thread



Thread	Order codes
G1/8"	3930 0212 0104 0000
G1/4"	3930 0212 0106 0000
G3/8"	3930 0212 0108 0000

### Plug with internal thread



Thread	Order codes
G1/8"	3930 0212 0204 0000
G1/4"	3930 0212 0206 0000
G3/8"	3930 0212 0208 0000

### Plug with tube socket



Ø mm	Order codes
4	3930 0212 2074 0000
6	3930 0212 2076 0000
8	3930 0212 2078 0000
9	3930 0212 2079 0000
10	3930 0212 2080 0000

### Plug with push-on fitting with tube guard



Ø mm	Order codes
6/4	3930 0212 1232 0000
8/6	3930 0212 1233 0000

### Plug with push-on fitting



Ø mm	Order codes
6/4	3930 0212 1032 0000
8/6	3930 0212 1033 0000

### Bulkhead plug with push-on fitting



Ø mm	Order codes
6/4	3930 0212 1132 0000
8/6	3930 0212 1133 0000

### Bulkhead plug with tube socket



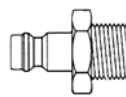
Ø mm	Order codes
4	3930 0212 2174 0000
6	3930 0212 2176 0000
8	3930 0212 2178 0000
9	3930 0212 2179 0000

**Quick coupling type 26**

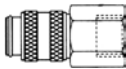

- Flow capacity 1476 Nl/min at 0,6 MPa and  $\Delta p=0,1$  MPa
- Cross section Js7,2 (48 mm<sup>2</sup>)
- Max. pressure 3,5 MPa

**Body with external thread**

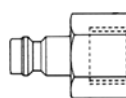

Thread	Order codes
G1/8"	3930 0261 0104 0000
G1/4"	3930 0261 0106 0000
G3/8"	3930 0261 0108 0000
G1/2"	3930 0261 0110 0000

**Plug with external thread**


Thread	Order codes
G1/8"	3930 0262 0104 0000
G1/4"	3930 0262 0106 0000
G3/8"	3930 0262 0108 0000
G1/2"	3930 0262 0110 0000

**Body with internal thread**


Thread	Order codes
G1/4"	3930 0261 0206 0000
G3/8"	3930 0261 0208 0000
G1/2"	3930 0261 0210 0000

**Plug with internal thread**


Thread	Order codes
G1/8"	3930 0262 0204 0000
G1/4"	3930 0262 0206 0000
G3/8"	3930 0262 0208 0000
G1/2"	3930 0262 0210 0000

**Body with push-on fitting**


Ø mm	Order codes
8/6	3930 0261 1033 0000
10/8	3930 0261 1034 0000
12/9	3930 0261 1035 0000

**Plug with tube socket**

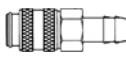

Ø mm	Order codes
4	3930 0262 2074 0000
6	3930 0262 2076 0000
8	3930 0262 2078 0000
9	3930 0262 2079 0000
10	3930 0262 2080 0000
13	3930 0262 2083 0000

**Body with push-on fitting with tube guard**


Ø mm	Order codes
8/6	3930 0261 1233 0000
10/8	3930 0261 1234 0000
12/9	3930 0261 1235 0000

**Plug with push-on fitting with tube guard**


Ø mm	Order codes
6/4	3930 0262 1232 0000
8/6	3930 0262 1233 0000
10/8	3930 0262 1234 0000
12/9	3930 0262 1235 0000

**Body with tube socket**


Ø mm	Order codes
6	3930 0261 2076 0000
8	3930 0261 2078 0000
9	3930 0261 2079 0000
10	3930 0261 2080 0000
13	3930 0261 2083 0000

**Plug with push-on fitting**


Ø mm	Order codes
6/4	3930 0262 1032 0000
8/6	3930 0262 1033 0000
10/8	3930 0262 1034 0000
12/9	3930 0262 1035 0000

**Plug with tube socket with non-return valve**

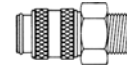

Ø mm	Order codes
6	3930 0262 3076 0000
8	3930 0262 3078 0000
9	3930 0262 3079 0000
10	3930 0262 3080 0000
13	3930 0262 3083 0000

**Bulkhead plug with tube socket**

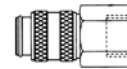

Ø mm	Order codes
6	3930 0262 2176 0000
8	3930 0262 2178 0000
10	3930 0262 2180 0000

**Quick coupling type 27**


- Flow capacity 5166 Nl/min at 0,6 MPa and  $\Delta p=0,1$  MPa
- Cross section Js10 (80 mm<sup>2</sup>)
- Max. pressure 3,5 MPa

**Body with external thread**


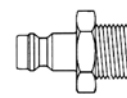
Thread	Order codes
R1/4"	3930 0271 0156 0000
R3/8"	3930 0271 0158 0000
R1/2"	3930 0271 0160 0000
R3/4"	3930 0271 0162 0000

**Body with internal thread**


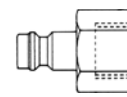
Thread	Order codes
R1/4"	3930 0271 0256 0000
R3/8"	3930 0271 0258 0000
R1/2"	3930 0271 0260 0000
R3/4"	3930 0271 0262 0000

**Body with tube socket**

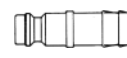

Ø mm	Order codes
6	3930 0271 2076 0000
8	3930 0271 2078 0000
9	3930 0271 2079 0000
10	3930 0271 2080 0000
13	3930 0271 2083 0000
16	3930 0271 2086 0000
19	3930 0271 2089 0000

**Plug with external thread**


Thread	Order codes
R1/4"	3930 0272 0156 0000
R3/8"	3930 0272 0158 0000
R1/2"	3930 0272 0160 0000
R3/4"	3930 0272 0162 0000

**Plug with internal thread**


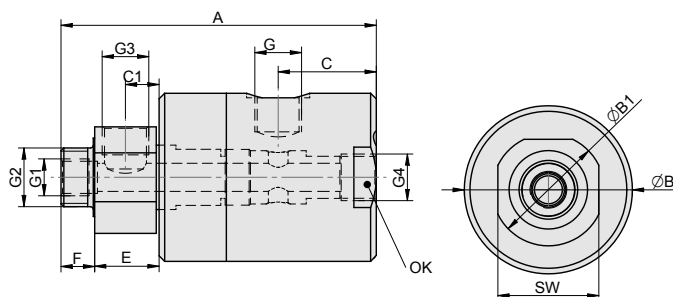
Thread	Order codes
R1/4"	3930 0272 0256 0000
R3/8"	3930 0272 0258 0000
R1/2"	3930 0272 0260 0000
R3/4"	3930 0272 0262 0000

**Plug with tube socket**


Ø mm	Order codes
6	3930 0272 2076 0000
8	3930 0272 2078 0000
9	3930 0272 2079 0000
10	3930 0272 2080 0000
13	3930 0272 2083 0000
16	3930 0272 2086 0000
19	3930 0272 2089 0000



## Rotary coupling



### Materials

- body: dural, hard anodized
- shaft: stainless steel 1.4021
- gaskets: NBR

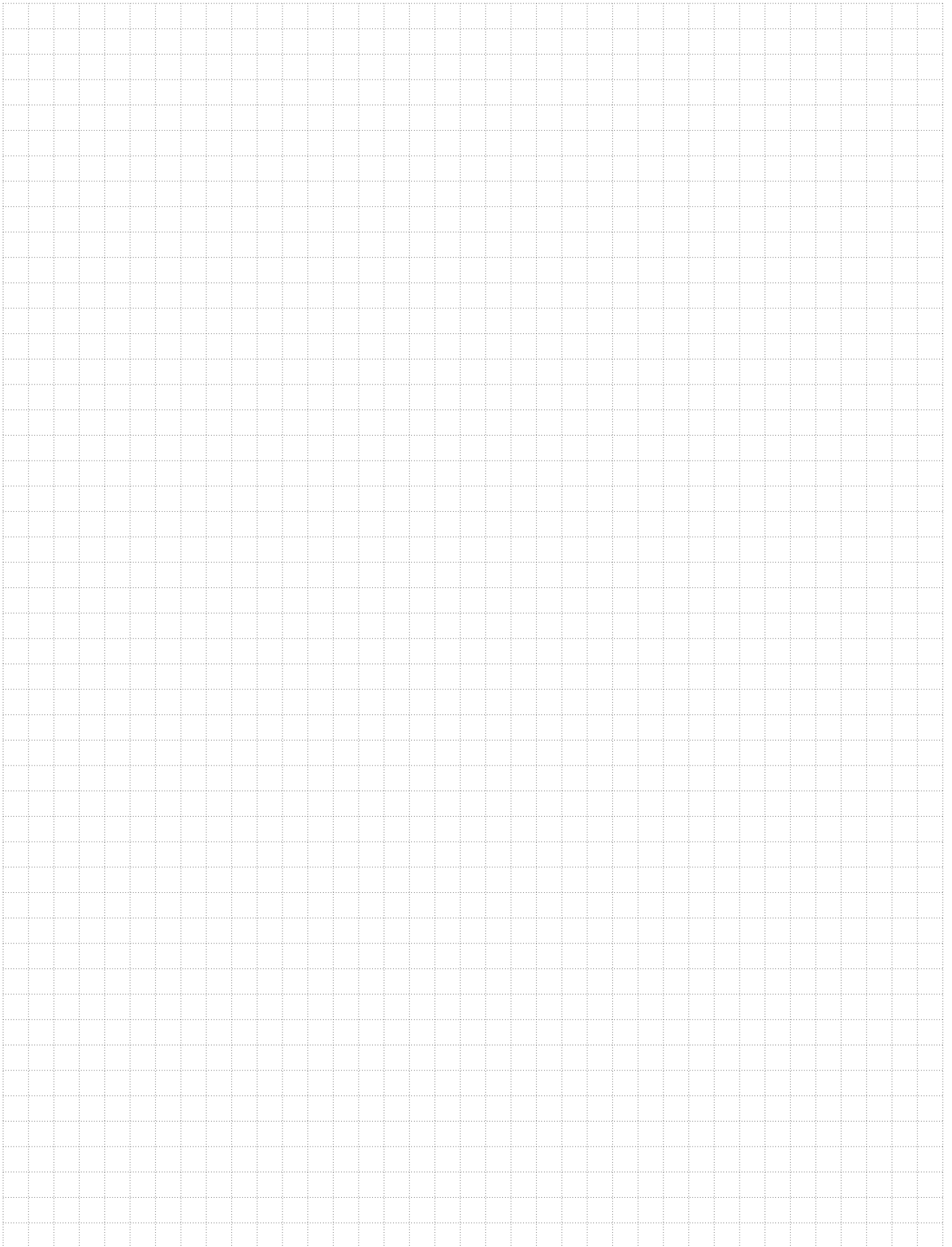
Working pressure	0,6 MPa
Min. pressure	0 MPa
Max. pressure	1,0 MPa
Temperature range	-20°C to +80°C
Working medium	modified compressed air
Cross section	DN 6 for G 1/8", DN 12 for G 3/8"
Working revolutions	0 to 120 rpm, both directions

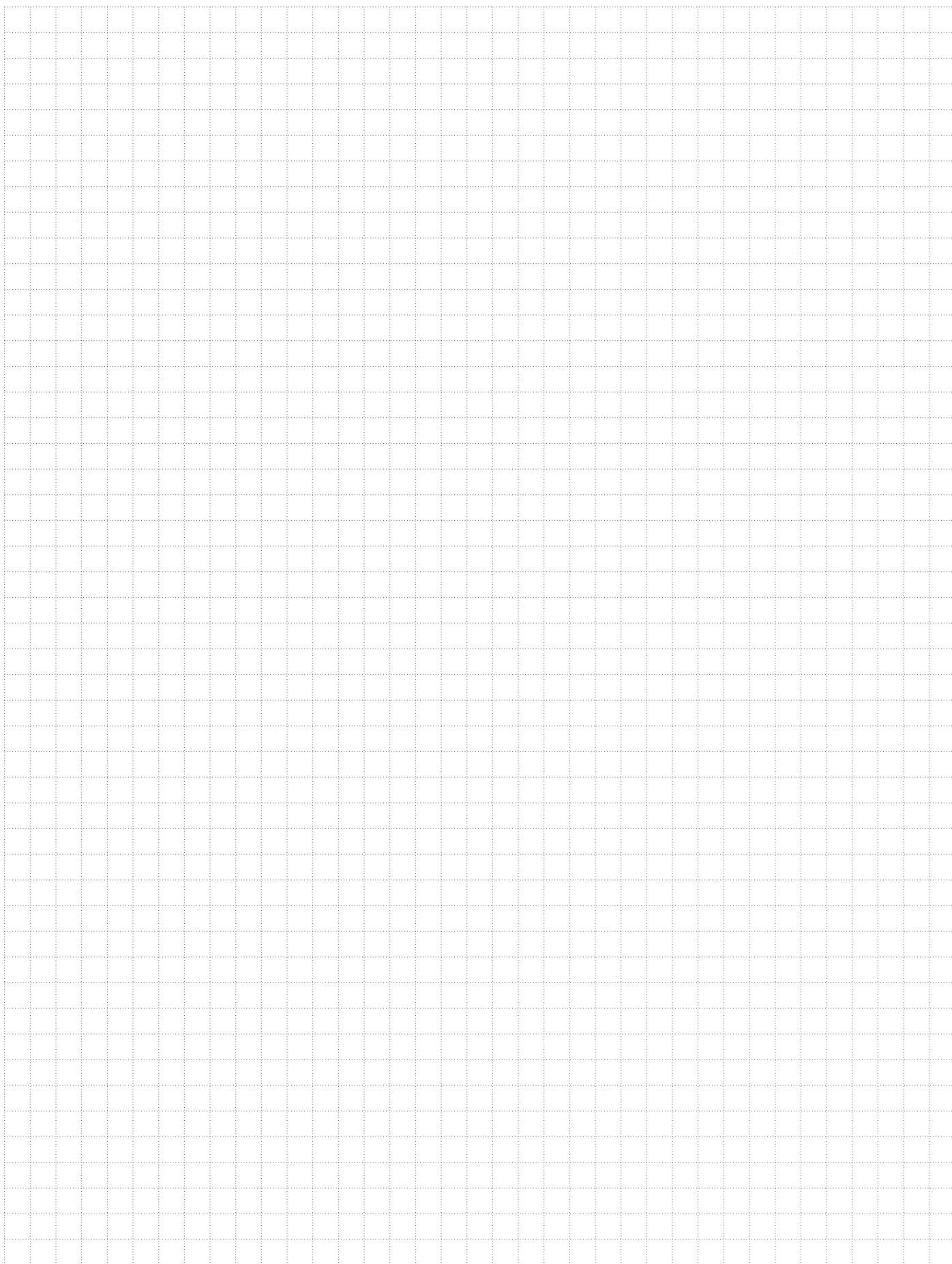
Type	A	B	B1	C	C1	E	F	G	G1	G2	G3	G4	OK	SW	Weight	Order codes
straight with branch	81,5	45	30	22,5	9,5	18,5	12	G1/8"	M8	G1/4"	G1/8"	G1/8"	—	27	0,35	2770 0300 0600 0001
	109,5	60	40	32	12	23	12	G3/8"	G1/4"	G1/2"	G3/8"	G3/8"	56	36	0,90	2770 0300 1000 0001
elbow with branch	72	45	30	12,5	9,5	18,5	12	G1/8"	M8	G1/4"	G1/8"	—	—	27	0,31	2770 0200 0600 0001
	99,5	60	40	24	12	23	12	G3/8"	G1/4"	G1/2"	G3/8"	—	—	36	0,78	2770 0200 1000 0001
elbow	72	45	30	12,5	—	18,5	12	G1/8"	—	G1/4"	—	—	—	27	0,32	2770 0100 0600 0001
	91,5	60	40	24	—	15	12	G3/8"	—	G1/2"	—	—	—	36	0,83	2770 0100 1000 0001

<i>Order code</i>	<i>Page</i>	<i>Order code</i>	<i>Page</i>	<i>Order code</i>	<i>Page</i>
10101...	2-4	2125 2000...	4-6	N02...	5-27
10105...	2-60	2125 2100 ...	4-5	N05...	5-26
10106...	2-60	2171 0100...	4-13	N0F...	7-3
10110...	2-8	2171 0200...	4-13	N10.6445...	5-12
10115...	2-6	2171 2100...	4-14	N100...	10-3
10122...	2-12	2171 2400...	4-13	N101...	10-2
10123...	2-12	2176 2100...	4-14	N102...	10-2
10201...	2-2	2176 3200...	4-14	N103...	5-19
1021...	2-10	2176 3300...	4-15	N104...	10-2
11001...	2-18	2176 3400...	4-14	N105...	10-2
11005...	2-64	2195...	4-23	N106-5...	5-12
11006...	2-64	2201 0...	3-6	N106-7...	5-12
11101...	2-20	2201 2...	3-4	N106-8...	5-14
11201...	2-22	2201 50...	3-2	N106...	10-3
11301...	2-24	2201 51...	3-2	N108...	10-2
11401...	2-16	2202 25...	3-4	N110...	10-3
12001...	2-14	2202 26...	3-4	N113...	10-3
12005...	2-62	2202 27...	3-4	N115...	10-3
12006...	2-62	2202 50...	3-2	N117...	10-3
12501...	2-30	2202 51...	3-2	N118...	10-2
12505...	2-66	2202 8...	3-9	N119...	10-3
12506...	2-66	2210 9...	3-8	N120...	10-2
12517...	2-32	2290 201...	3-5	N121...	10-3
15001...	2-34	2290 2011...	3-3, 3-5	N122-...	7-4, 10-2
1710...	2-26	2290 5...	3-3	N122B...	5-27
2100 90...	2-70, 2-72	2290 8...	3-9	N123...	10-2
2100 91...	2-68	2291 000...	3-3, 3-5	N123B...	5-27
2100 92...	2-74	2291 001...	3-3, 3-5	N124...	10-2
2101 0100...	4-2	2291 002...	3-8	N125-0...	10-2
2101 0200...	4-3	2532 0...	6-6	N125-468...	10-10
2101 0300...	4-2	2532 20...	6-10	N12H...	5-27
2101 2000...	4-6	2532 21...	6-11	N12K...	5-27
2101 2100...	4-4	2532 3...	6-9	N131...	10-3
2101 2200...	4-4	2532 5...	6-8	N132...	10-3
2101 2300...	4-22	2552 0...	6-6	N135C...	7-2
2101 3000...	4-8	2552 20...	6-10	N136C...	7-2
2101 3100...	4-8	2552 21...	6-11	N180...	10-6
2101 3200...	4-10	2552 3...	6-9	N189...	5-17
2101 3300...	4-7	2552 4...	6-13	N190...	5-17
2101 3400...	4-9	2552 5...	6-8	N1F...	7-3
2101 3500...	4-9	2552 7...	6-16	N226...	5-9
2101 4000...	4-12	2552 8...	5-36	N230-3...	5-46
2101 4100...	4-11	2740...	7-7	N230-4...	5-46
2101 4101...	4-11	2750...	7-5	N230-5...	5-46
2101 4200...	4-12	2760...	7-7	N230-7...	5-47
2101 5000...	4-18	2770...	10-14	N230-9...	5-47
2101 5100...	4-20	2899 002...	6-7, 7-9	N237-...	5-9
2101 8000...	4-22	2899 009...	1-5	N239-20...	5-12
2102 4100...	4-10	2980...	8-21	N239-23...	5-20
2102 5000...	4-18	2995...	8-26	N239-24...	5-20
2102 5100...	4-20	3010...	10-11	N239-25...	5-19
2110 0100...	4-2	3020...	10-11	N239-28...	5-12
2110 0200...	4-3	3030...	10-11	N239-3...	5-12
2110 0300...	4-2	3070...	10-12	N239-4...	5-12
2110 0400...	4-3	3080...	10-12	N239-5...	5-14
2110 2000...	4-7	3095...	10-10	N27...	5-27
2110 2100...	4-5	3910 10...	10-10	N2F...	7-3
2110 3000...	4-5	3910 20...	10-8	N324...	10-7
2110 4000...	4-12	3910 22...	10-8	N325...	10-7
2110 5000...	4-18	3910 30...	10-9	N326...	10-7
2110 5100...	4-20	3920...	10-9	N341...	10-6
2113 2100...	4-23	3921...	10-9	N343...	10-7
2113 3000...	4-23	3930 021...	10-12	N344...	10-7
2113 4200...	4-24	3930 026...	10-13	N345...	10-6
2120 5000...	4-18	3930 027...	10-13	N347...	10-6
2120 5100...	4-20	4500 2608...	2-76	N348...	10-6



<i>Order code</i>	<i>Page</i>	<i>Order code</i>	<i>Page</i>	<i>Order code</i>	<i>Page</i>
N349...	10-6	NC-S1,5...	9-4	PMACP401...	8-3, 8-20
N353...	10-7	NC-S2...	9-5	PMACP402...	8-4, 8-20
N353B...	5-28	NC1...	5-17	PMACP501...	8-5, 8-20
N354...	10-6	NC2...	5-17	PMAF300...	8-8
N354B...	5-28	NC3...	5-17	PMAF401-...	8-8
N355...	10-7	NCM...	7-4	PMAF401A...	8-16
N356...	10-7	NCP...	7-5	PMAF401D...	8-16
N368...	10-6	NCV...	7-4	PMAF401M...	8-16
N3F...	7-3	ND2...	5-27	PMAF402...	8-8
N411...	10-8	NDA...	5-39	PMAF501...	8-8
N412...	10-8	NDB...	5-39	PMAFR...	8-12
N430...	5-17	NDR...	7-3	PMAIR...	8-7
N442...	10-9	NDV...	7-3	PMAL...	8-14
N443...	10-9	NE...	5-27	PMAR...	8-10
N445...	10-8	NI...	5-17, 5-18	PMAVS...	8-17
N446...	10-9	NIN...	10-9	PMBS...	5-44, 8-20
N447...	10-8	NKH...	7-8	PMCDA...	2-50
N449...	10-8	NKM...	7-8	PMCDB...	2-52
N450...	10-9	NL0...	5-15	PMCGD...	2-48
N451...	10-9	NL1...	5-12	PMCGS...	2-44
N453...	10-8	NL2...	5-12	PMCHA...	2-81
N455...	10-7	NPC...	8-25	PMCHB...	2-81
N456...	10-8	NPR...	7-6	PMCHG2...	2-82
N457...	10-9	NPS...	8-25	PMCKA...	2-80
N458...	10-8	NR2...	5-27	PMCKC...	2-78
N459...	10-8	NRV...	7-5	PMCRP...	2-42
N460...	10-7	NSE...	10-10	PMCS...	5-45
N461...	10-8	NSEV...	7-6	PMCSS...	2-58
N462...	10-8	NSF-12...	4-15	PMETB...	11-14
N463...	10-9	NSF-13...	4-16	PMETSC...	11-2
N464...	10-9	NSF-24...	4-16	PMHB...	2-84
N465...	10-9	NSF-26...	4-17	PMHPD...	2-83
N466...	10-9	NSF-27...	4-17	PMP10...	8-24
N485...	10-9	NSF-28...	4-17	PMP2...	8-21
N489...	10-8	NSE...	10-10	PMP45...	8-23
N491...	10-7	NTC...	10-10	PMPG...	8-22
N498...	10-9	NU-1...	9-6	PMSB...	2-59
N4F...	7-3	NU-2...	9-6	PMTA...	2-79
N530...	7-7	NU-8...	9-7	PMVAA...	6-14
NAF...	5-40	NU-S...	9-6	PMVBA...	2-85
NAK...	5-29	NU-V...	9-7	PMVDC...	5-42
NC-E0,1...	9-2	NU...	10-10	PMVFA...	6-12
NC-E0,2-...	9-2	NZE...	6-13	PMVHB...	6-4
NC-E0,25-...	9-3	P100...	10-6	PMVHC...	6-5
NC-E0,35-...	9-3	P101...	10-4	PMVHT...	8-19
NC-E0,5-...	9-3	P102...	10-4	PMVHR...	8-18
NC-E1,0...	9-3	P105...	10-4	PMVMB...	6-2
NC-E1,25...	9-4	P106...	10-6	PMVMC...	6-2
NC-E1,5...	9-4	P108...	10-4	PMVSA...	5-4
NC-E2...	9-5	P109...	10-4	PMVSC...	5-4,5-5,5-38,5-39
NC-P0,1...	9-2	P110...	10-5	PMVSE...	5-6, 5-7, 5-8, 5-9
NC-P0,2-...	9-2	P113...	10-5	PMVSN...	5-10
NC-P0,25-...	9-3	P115...	10-5	PMVSY...	5-23, 5-24, 5-46
NC-P0,35-...	9-3	P117...	10-5	PPG...	8-21
NC-P0,5-...	9-3	P118...	10-6	PR...	3-10
NC-P1,0...	9-3	P121...	10-5	PS1...	2-36
NC-P1,25...	9-4	P127...	10-4	PS5...	2-36
NC-P1,5...	9-4	P131...	10-6	PTC...	11-17
NC-P2...	9-5	P132...	10-5	PUML...	10-11
NC-S0,1...	9-2	P136C...	7-3	PVL1...	2-36
NC-S0,2-...	9-2	P137...	10-5		
NC-S0,25-...	9-3	P139C...	7-3		
NC-S0,35-...	9-3	P14...	7-8		
NC-S0,5-...	9-3	P19...	10-5		
NC-S1,0...	9-3	PMACC300...	8-6, 8-20		
NC-S1,25...	9-4	PMACP300...	8-2, 8-20		





R



**ČESKÁ SPOLEČNOST PRO JAKOST, z.s.**

Certifikační orgán certifikující systémy managementu č. 3081 akreditovaný  
Českým institutem pro akreditaci, o.p.s. podle ČSN EN ISO/IEC 17021-1:2016

na základě udělené akreditace vydává

# CERTIFIKÁT

shody systému managementu kvality s požadavky

**ČSN EN ISO 9001:2016**

společnosti

**STRÁNSKÝ A PETRŽÍK,  
PNEUMATICKÉ VÁLCE, spol. s r.o.**

Bílá Třemešná 388, 544 72 Bílá Třemešná

IČ: 25252062

Předmět certifikace:

**Výroba pneumatických válců a příslušenství  
Výroba jednoúčelových strojů a zařízení**

Registrační číslo certifikátu: 100000001/QMS/2018

Datum první certifikace: 01.06.2000

Certifikační cyklus: 15.10.2018 – 14.10.2021

Platnost od: 15.10.2018

Vedoucí střediska pro certifikaci systémů managementu:

Ing. Eliška Michálková



Certifikovaná organizace podléhá doзору České společnosti pro jakost, z.s.  
V případě zjištění závažné neshody vůči požadavkům ČSN EN ISO 9001:2016  
může být platnost certifikátu pozastavena nebo zrušena.

Místo vydání: Novotného lávka 200/5, Staré Město, 110 00 Praha



Stránský a Petržík,  
Pneumatické válce spol. s r.o.  
544 72 Bílá Třemešná 388  
Czech Republic

Phone: (+420) 499 628 600  
Cell phone gateway: (+420) 737 249 570  
Fax: (+420) 499 628 601

---

<http://www.stranskyapetrzik.cz>  
e-mail: [info@stranskyapetrzik.cz](mailto:info@stranskyapetrzik.cz)

---

Company reg. No: 25 25 20 62  
VAT No: CZ 25 25 20 62